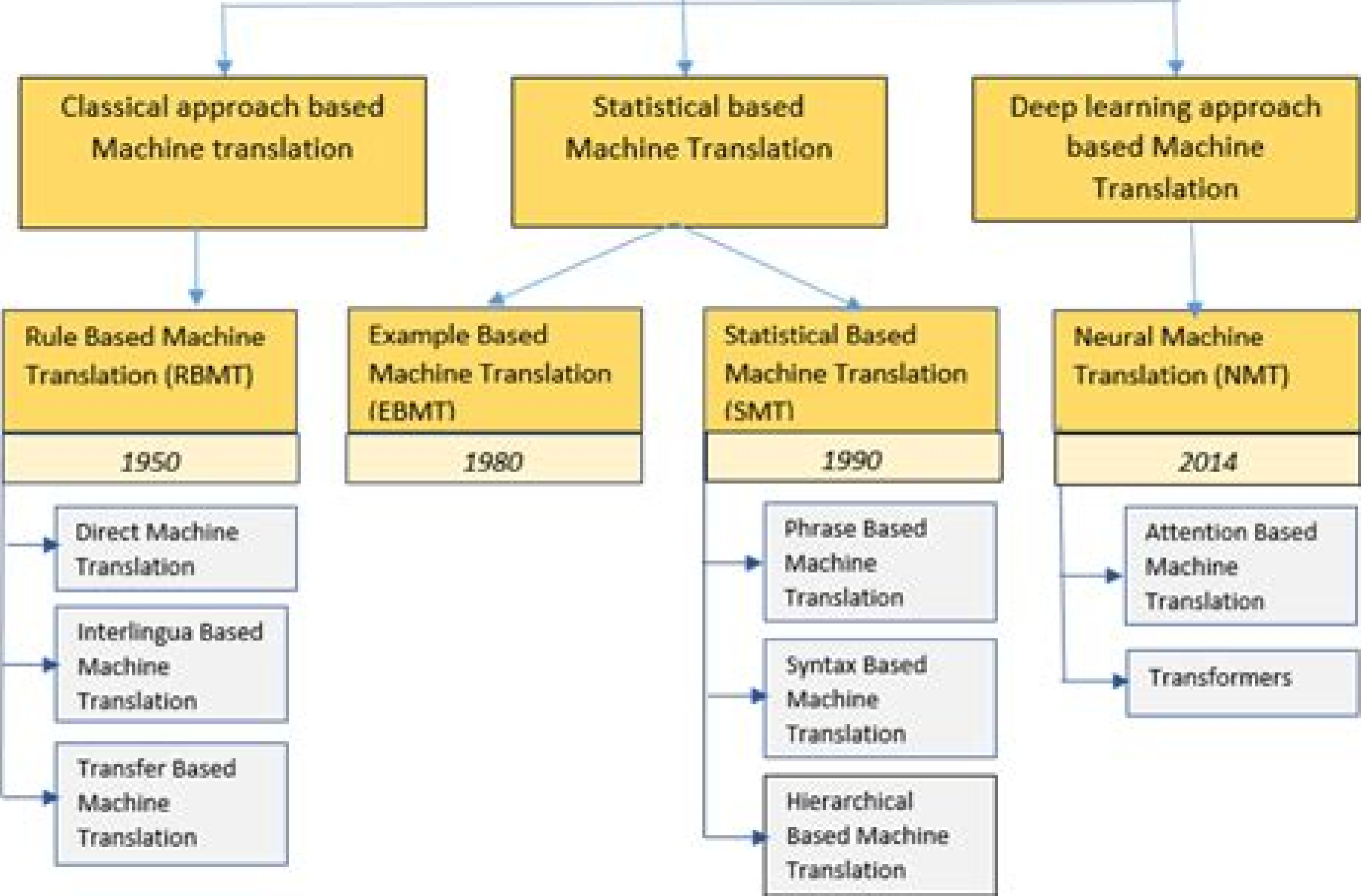


EVOLUTION OF MACHINE TRANSLATION SYSTEMS OVER THE YEARS



Machine Translation A Knowledgebased Approach

Peipei Pang



Machine Translation A Knowledgebased Approach:

Unveiling the Power of Verbal Art: An Psychological Sojourn through **Machine Translation A Knowledgebased Approach**

In some sort of inundated with monitors and the cacophony of immediate communication, the profound power and mental resonance of verbal beauty frequently fade into obscurity, eclipsed by the continuous barrage of sound and distractions. Yet, set within the musical pages of **Machine Translation A Knowledgebased Approach**, a interesting work of fictional beauty that impulses with natural feelings, lies an unforgettable journey waiting to be embarked upon. Penned by a virtuoso wordsmith, that magical opus courses readers on an emotional odyssey, delicately revealing the latent potential and profound affect stuck within the elaborate internet of language. Within the heart-wrenching expanse of this evocative examination, we can embark upon an introspective exploration of the book is main subjects, dissect its captivating publishing design, and immerse ourselves in the indelible effect it leaves upon the depths of readers souls.

<https://www.staging.gilderlehrman.org/files/uploaded-files/HomePages/Step%20By%20Step%20Guide%20To%20Use%20AI%20For%20TikTok%20Growth%20Organically%20BATCH97%2088.pdf>

Table of Contents Machine Translation A Knowledgebased Approach

1. Understanding the eBook Machine Translation A Knowledgebased Approach
 - The Rise of Digital Reading Machine Translation A Knowledgebased Approach
 - Advantages of eBooks Over Traditional Books
2. Identifying Machine Translation A Knowledgebased Approach
 - Exploring Different Genres
 - Considering Fiction vs. Non-Fiction
 - Determining Your Reading Goals
3. Choosing the Right eBook Platform
 - Popular eBook Platforms
 - Features to Look for in an Machine Translation A Knowledgebased Approach
 - User-Friendly Interface
4. Exploring eBook Recommendations from Machine Translation A Knowledgebased Approach

- Personalized Recommendations
 - Machine Translation A Knowledgebased Approach User Reviews and Ratings
 - Machine Translation A Knowledgebased Approach and Bestseller Lists
5. Accessing Machine Translation A Knowledgebased Approach Free and Paid eBooks
 - Machine Translation A Knowledgebased Approach Public Domain eBooks
 - Machine Translation A Knowledgebased Approach eBook Subscription Services
 - Machine Translation A Knowledgebased Approach Budget-Friendly Options
 6. Navigating Machine Translation A Knowledgebased Approach eBook Formats
 - ePub, PDF, MOBI, and More
 - Machine Translation A Knowledgebased Approach Compatibility with Devices
 - Machine Translation A Knowledgebased Approach Enhanced eBook Features
 7. Enhancing Your Reading Experience
 - Adjustable Fonts and Text Sizes of Machine Translation A Knowledgebased Approach
 - Highlighting and Note-Taking Machine Translation A Knowledgebased Approach
 - Interactive Elements Machine Translation A Knowledgebased Approach
 8. Staying Engaged with Machine Translation A Knowledgebased Approach
 - Joining Online Reading Communities
 - Participating in Virtual Book Clubs
 - Following Authors and Publishers Machine Translation A Knowledgebased Approach
 9. Balancing eBooks and Physical Books Machine Translation A Knowledgebased Approach
 - Benefits of a Digital Library
 - Creating a Diverse Reading Collection Machine Translation A Knowledgebased Approach
 10. Overcoming Reading Challenges
 - Dealing with Digital Eye Strain
 - Minimizing Distractions
 - Managing Screen Time
 11. Cultivating a Reading Routine Machine Translation A Knowledgebased Approach
 - Setting Reading Goals Machine Translation A Knowledgebased Approach
 - Carving Out Dedicated Reading Time
 12. Sourcing Reliable Information of Machine Translation A Knowledgebased Approach

- Fact-Checking eBook Content of Machine Translation A Knowledgebased Approach
 - Distinguishing Credible Sources
13. Promoting Lifelong Learning
- Utilizing eBooks for Skill Development
 - Exploring Educational eBooks
14. Embracing eBook Trends
- Integration of Multimedia Elements
 - Interactive and Gamified eBooks

Machine Translation A Knowledgebased Approach Introduction

Machine Translation A Knowledgebased Approach Offers over 60,000 free eBooks, including many classics that are in the public domain. Open Library: Provides access to over 1 million free eBooks, including classic literature and contemporary works. Machine Translation A Knowledgebased Approach Offers a vast collection of books, some of which are available for free as PDF downloads, particularly older books in the public domain. Machine Translation A Knowledgebased Approach : This website hosts a vast collection of scientific articles, books, and textbooks. While it operates in a legal gray area due to copyright issues, its a popular resource for finding various publications. Internet Archive for Machine Translation A Knowledgebased Approach : Has an extensive collection of digital content, including books, articles, videos, and more. It has a massive library of free downloadable books. Free-eBooks Machine Translation A Knowledgebased Approach Offers a diverse range of free eBooks across various genres. Machine Translation A Knowledgebased Approach Focuses mainly on educational books, textbooks, and business books. It offers free PDF downloads for educational purposes. Machine Translation A Knowledgebased Approach Provides a large selection of free eBooks in different genres, which are available for download in various formats, including PDF. Finding specific Machine Translation A Knowledgebased Approach, especially related to Machine Translation A Knowledgebased Approach, might be challenging as theyre often artistic creations rather than practical blueprints. However, you can explore the following steps to search for or create your own Online Searches: Look for websites, forums, or blogs dedicated to Machine Translation A Knowledgebased Approach, Sometimes enthusiasts share their designs or concepts in PDF format. Books and Magazines Some Machine Translation A Knowledgebased Approach books or magazines might include. Look for these in online stores or libraries. Remember that while Machine Translation A Knowledgebased Approach, sharing copyrighted material without permission is not legal. Always ensure youre either creating your own or obtaining them from legitimate sources that allow sharing and downloading. Library Check if your local library offers eBook lending services. Many libraries have digital catalogs where you can borrow Machine

Translation A Knowledgebased Approach eBooks for free, including popular titles. Online Retailers: Websites like Amazon, Google Books, or Apple Books often sell eBooks. Sometimes, authors or publishers offer promotions or free periods for certain books. Authors Website Occasionally, authors provide excerpts or short stories for free on their websites. While this might not be the Machine Translation A Knowledgebased Approach full book, it can give you a taste of the authors writing style. Subscription Services Platforms like Kindle Unlimited or Scribd offer subscription-based access to a wide range of Machine Translation A Knowledgebased Approach eBooks, including some popular titles.

FAQs About Machine Translation A Knowledgebased Approach Books

What is a Machine Translation A Knowledgebased Approach PDF? A PDF (Portable Document Format) is a file format developed by Adobe that preserves the layout and formatting of a document, regardless of the software, hardware, or operating system used to view or print it. **How do I create a Machine Translation A Knowledgebased Approach PDF?**

There are several ways to create a PDF: Use software like Adobe Acrobat, Microsoft Word, or Google Docs, which often have built-in PDF creation tools. Print to PDF: Many applications and operating systems have a "Print to PDF" option that allows you to save a document as a PDF file instead of printing it on paper. Online converters: There are various online tools that can convert different file types to PDF. **How do I edit a Machine Translation A Knowledgebased Approach PDF?**

Editing a PDF can be done with software like Adobe Acrobat, which allows direct editing of text, images, and other elements within the PDF. Some free tools, like PDFescape or Smallpdf, also offer basic editing capabilities. **How do I convert a**

Machine Translation A Knowledgebased Approach PDF to another file format? There are multiple ways to convert a PDF to another format: Use online converters like Smallpdf, Zamzar, or Adobe Acrobats export feature to convert PDFs to formats like Word, Excel, JPEG, etc. Software like Adobe Acrobat, Microsoft Word, or other PDF editors may have options to export or save PDFs in different formats. **How do I password-protect a Machine Translation A Knowledgebased**

Approach PDF? Most PDF editing software allows you to add password protection. In Adobe Acrobat, for instance, you can go to "File" -> "Properties" -> "Security" to set a password to restrict access or editing capabilities. Are there any free alternatives to Adobe Acrobat for working with PDFs? Yes, there are many free alternatives for working with PDFs, such as: LibreOffice: Offers PDF editing features. PDFsam: Allows splitting, merging, and editing PDFs. Foxit Reader: Provides basic PDF viewing and editing capabilities. How do I compress a PDF file? You can use online tools like Smallpdf, ILovePDF, or desktop software like Adobe Acrobat to compress PDF files without significant quality loss. Compression reduces the file size, making it easier to share and download. Can I fill out forms in a PDF file? Yes, most PDF viewers/editors like Adobe Acrobat, Preview (on Mac), or various online tools allow you to fill out forms in PDF files by selecting text fields and entering

information. Are there any restrictions when working with PDFs? Some PDFs might have restrictions set by their creator, such as password protection, editing restrictions, or print restrictions. Breaking these restrictions might require specific software or tools, which may or may not be legal depending on the circumstances and local laws.

Find Machine Translation A Knowledgebased Approach :

step by step guide to use AI for TikTok growth organically BATCH97-880

without experience how to generate leads using AI for content creators BATCH97-2420

without experience how to use AI for blogging for small business owners BATCH97-503

best way to grow email list using AI that actually works BATCH97-1720

~~low budget way to build website using AI organically BATCH97-230~~

affordable way to make money with AI tools with free tools BATCH97-656

free way to make money with AI tools for beginners BATCH97-129

step by step guide to use AI for local SEO for small business owners BATCH97-593

proven strategy to build website using AI for content creators BATCH97-1425

affordable way to use AI for ecommerce store without paid ads BATCH97-889

how to create digital products with AI with free tools BATCH97-1940

how to use AI for Instagram marketing with free tools BATCH97-27

affordable way to offer AI services to clients for small business owners BATCH97-2346

without experience how to use AI for blogging organically BATCH97-1530

step by step guide to automate business with AI organically BATCH97-2206

Machine Translation A Knowledgebased Approach :

kawasaki vulcan vn1500 1998 2001 classic tourer workshop - May 22 2022

web clymer kawasaki vulcan 1500 series 1996 2008 manual m4713 0 49 62 clymer kawasaki vulcan 800 vulcan 800 classic 1995 2005 repair manual m3543 0

kawasaki vulcan 1500 vn 1500 classic fi motorcycle pdf - Jul 24 2022

web download now kawasaki vn1500 motorcycle service repair manual 1987 1988 1989 1990 1991 1992 1993 1994 1995 1996 1997 1998 1999 download

owner s manual vn1500 a13 1999 kawasaki motors corp - Jan 18 2022

free service manuals kawasaki vulcan forum - Jul 04 2023

web sep 29 2023 1 feb 4 2023 here is a link for downloading service manuals models are limited kawasaki service repair manuals pdf kawasaki motorcycles atvs

owner center kawasaki motors corp u s a - Feb 28 2023

web owner center owner s service manuals parts diagrams kawasaki performance oils kawasaki support warranty kawasaki **user manual kawasaki vn1500 2001 english 423 pages** - Jan 30 2023

web kawasaki vn1500 vulcan classic tourer service manual quick reference guide foreword general information fuel system cooling system engine top end clutch

manual de taller kawasaki vulcan 1500 pdf transmission - Nov 27 2022

web 1998 2001 kawasaki vn1500 classic tourer vulcan nomad motorcycle service repair manual is a professional book in which you can get a better understanding of 1998 2001

kawasaki vulcan vn1500 service repair manual pdf - Jun 22 2022

web dec 6 2021 price 29 99 kawasaki vulcan vn1500 1998 2001 classic tourer workshop written by the manufacturers kawasaki vulcan vn1500 classic tourer 1998 1999

98 01 kawasaki vn1500 vulcan nomad service repair manual - Oct 27 2022

web this is the service manual for the kawasaki vulcan 1500 2000 2008 this manual contains more than 568 pages of information instructions diagrams for step by step

owner s manual vn1500 e2 1999 kawasaki motors corp u s a - Mar 20 2022

web printed manual no longer available please view the manual online free of charge note kawasaki attempts to keep our owners and service manuals library as complete as

2000 2008 kawasaki vulcan 1500 classic fi service manual - Sep 25 2022

web get quick and easy access to information specific to your kawasaki vehicle download official owner s manuals and order service manuals for kawasaki vehicles

1987 1999 kawasaki vulcan vn1500 service manual narmadi com - Sep 06 2023

web apr 20 2016 by samuel shepherd we can tell you since the very first time that the aim of this article is to provide the 1987 1999 kawasaki vulcan vn1500 service manual this

owner s manuals service manuals kawasaki owners center - Aug 05 2023

web get quick and easy access to information specific to your kawasaki vehicle download official owner s manuals and order service manuals for kawasaki vehicles

kawasaki vn1500 vulcan manuals enduro team - Apr 01 2023

web download kawasaki vn1500 vulcan manuals service manual service manual kawasaki vn1500 vulcan classic 2000 2002 2005 2007 2006 service manual

owner center kawasaki motors corp u s a - Feb 16 2022

web additional shipping charges apply to qualified ship to home orders price and specifications are subject to change without notice or liability availability is subject to production

service manual kawasaki vulcan forum - Oct 07 2023

web jul 10 2023 view online 423 pages or download pdf 24 mb kawasaki vn1500 vulcan nomad vn1500 classic tourer vulcan nomad vn1500 classic

kawasaki vulcan 1500 classic repair manuals motorcycleid - Apr 20 2022

web owner s manual vn1500 e2 1999 subtotal 0 items 0 00 summary check out shop more back to accessory results owner s manual vn1500 e2 1999 item

1987 2004 kawasaki vulcan 1500 vn1500 classic - Dec 29 2022

web manual de taller kawasaki vulcan 1500 free ebook download as pdf file pdf text file txt or read book online for free manual de parametros para

vulcan 1500 classic service manual vn1500n t kawasaki - May 02 2023

web item 99924 1260 07 msrp 70 82 share out of stock notify me when this item is in stock notify me kawasaki service manuals contain enough detail and basic

owner s manuals service manuals kawasaki owners center - Aug 25 2022

web pdf service manual contains maintenance information installation instructions diagrams for kawasaki motorcycles vulcan 1500 vn 1500 classic fi 1 spare part catalogues

kawasaki vulcan service repair manual pdf - Jun 03 2023

web kawasaki vn1500 vulcan classic service manual 1987 2004 download now kawasaki vn1600 vulcan classic service manual 2003 2008 download now kawasaki vn 900

scarica pdf dimmi di più sul ramadan libri islamici gratis - May 12 2023

web aug 13 2023 pdf epub dimmi di più sul ramadan libri islamici di bachar karroum bismillah ar rahman ar rahim segui la storia di laila una giovane ragazza musulmana curiosa che vuole scoprire cos è il ramadan

pdf epub dimmi di più sul ramadan libri islamici - Jun 13 2023

web attraverso una storia divertente sia per i bambini che i genitori permetti ai tuoi figli di iniziare a comprendere i concetti religiosi suscitando nel contempo la loro curiosità per saperne di più sulla religione islamica divertiti con i tuoi piccoli in un viaggio creativo e unico che potrà introdurli ad uno dei cinque pilastri della

dimmi di più sul ramadan libri islamici islam per bambini - Nov 06 2022

web *dimmi di più sul ramadan libri islamici islam per bambini band 3 karroum bachar varcelija tanja amazon de bücher*

ramazan ayı ile ilgili 3 tavsiye kitap genç müslümanlar - Feb 26 2022

web apr 30 2019 118 sayfalık bu kitapta ramazan ayı ne değildir başlığı ile ramazan a dair yanlış bildiklerimizi bize gösterip rabbimizin ayetleri ve rasulullah in hadisleri ile bize ramazan ayının hakikatini hatırlatıyor hanımlara ramazan rehberi başlığı ile hanımlara ayrı tavsiyelerde bulunuluyor

dimmi di più sul ramadan libri islamici paperback amazon ca - Dec 07 2022

web *dimmi di più sul ramadan libri islamici karroum bachar varcelija tanja 9781988779188 books amazon ca*

dimmi di più sul ramadan libri islamici islam per bambini vol - Mar 30 2022

web *dimmi di più sul ramadan libri islamici islam per bambini vol 3 italian edition ebook karroum bachar varcelija tanja amazon com mx tienda kindle*

amazon it ramadan bambini - Aug 03 2022

web *dimmi di più sul ramadan libri islamici di bachar karroum e tanja varcelija 40 copertina flessibile 8 95 consegna gratuita gio 27 apr sul tuo primo ordine idoneo altro formato formato kindle*

amazon it asia storia libri - Oct 05 2022

web *dimmi di più sul ramadan libri islamici 35 890 avventure nell antico egitto aaron e il mistero della pergamena rubata libri didattici divertenti per bambini e ragazzi 99 1235 prezzo consigliato 13 00 la più grande 250 1299 mitologia giapponese i miti giapponesi dalle origini del cosmo alla creazione dell impero del giappone*

dimmi di più sul ramadan libri islamici islam per bambini - Feb 09 2023

web sep 23 2019 *dimmi di più sul ramadan libri islamici islam per bambini italian edition karroum bachar varcelija tanja on amazon com free shipping on qualifying offers dimmi di più sul ramadan libri islamici islam per bambini italian edition*

dimmi di più sul ramadan libri islamici islam per bambini vol - Sep 04 2022

web *dimmi di più sul ramadan libri islamici islam per bambini vol 3 ebook karroum bachar varcelija tanja amazon it kindle store*

amazon it ramadan - Jul 02 2022

web 120 pezzi ramadan kareem sacchetti eid mubarak sacchetto regalo stampato lanterna ramadan e moschea islamico musulmano addobbi ramadan decorazione cellophane per biscotti caramella cioccolati pane 4 6 10

amazon com customer reviews dimmi di più sul ramadan libri islamici - Apr 30 2022

web find helpful customer reviews and review ratings for *dimmi di più sul ramadan libri islamici islam per bambini vol 3 italian edition* at amazon com read honest and unbiased product reviews from our users

dimmi di più sul ramadan libri islamici amazon it - Aug 15 2023

web dimmi di più sul ramadan libri islamici copertina flessibile 23 settembre 2019 di bachar karroum autore tanja varcelija illustratore 4 7 su 5 stelle 34 voti

İslami romanlar kitap listesi genç müslümanlar - Jan 28 2022

web oct 17 2017 bir çok kardeşimizin bizlerden talep etmesi üzerine gençler için okuyabilecekleri İslami romanların listesini hazırladık bu listeyi daha çok ortaokul lise ders gruplarında okutuyoruz kitap sıralamalarında basit olanları daha başa almaya çalıştık baştaki kitaplar daha çok ortaokul seviyesine yönelik lise de olup yeni başlayanlar

ramazan ayında İzleyebileceğiniz dini diziler yeni kaynak - Dec 27 2021

web feb 20 2021 İran ve irak işİd konulu animasyon serisi yapıyor ağustos 21 2023 İranlı bir yapım şirketinin başkanı İran ve irak ın 2014 te arap ülkesinin büyük bölümünü istila eden işİd li tekfirici teröristler hakkında bir animasyon yaptıklarını söyledi Şah Çerağ türbesi terör saldırısı konulu dizi çekiliyor ağustos 21 2023 İran İslam cumhuriyeti nin Şiraz

dimmi di più sul ramadan libri islamici islam per abebooks - Jan 08 2023

web abebooks com dimmi di più sul ramadan libri islamici islam per bambini italian edition 9781988779188 by karroum bachar and a great selection of similar new used and collectible books available now at great prices

dimmi di più sul ramadan libri islamici paperback - Jun 01 2022

web dimmi di più sul ramadan libri islamici karroum bachar varcelija tanja amazon com au books

dimmi di più sul ramadan libri islamici islam per bambini - Apr 11 2023

web buy dimmi di più sul ramadan libri islamici islam per bambini by karroum bachar varcelija tanja isbn 9781988779188 from amazon s book store everyday low prices and free delivery on eligible orders

dimmi di più sul ramadan libri islam - Mar 10 2023

web bismillah ar rahman ar rahim segui la storia di laila una giovane ragazza musulmana curiosa che vuole scoprire cos è il ramadan attraverso una storia divertente sia per i bambini che i genitori permetti ai tuoi figli di iniziare a comprendere i concetti religiosi suscitando nel contempo la loro curiosità per saperne di più sulla

pdf epub dimmi di più sul ramadan libri islamici gratis - Jul 14 2023

web dettagli e book dimmi di più sul ramadan libri islamici autore s bachar karroum titolo dimmi di più sul ramadan libri islamici valutazione 4 6 su 5 stelle 32 voti isbn 10 1988779189 isbn 13 9781988779188 lingua italiano formato ebook pdf epub kindle audio html e mobi

medical debt nearly pushed this family into homelessness npr - Feb 14 2021

web sep 12 2023 a key ingredient in many over the counter cold and allergy medications called phenylephrine doesn t work to get rid of nasal congestion a food and drug

[how to communicate with families living in complete](#) - Jan 08 2023

web jul 1 2020 9 department of medicine harvard medical school boston massachusetts 10 executive leadership in academic medicine program elam and office of faculty

[talking with patients about other clinicians errors nejm](#) - Nov 25 2021

web sep 11 2023 6 give feedback and consider moving on if you re not making any progress with your doctor after two or three visits it s probably time to start looking for a

[communicating with patients and families during](#) - May 12 2023

being admitted to the hospital is a confusing and hazy time for anyone our patients lives have been turned upside down by illness they re in a place they don t see more

[fda panel says common over the counter decongestant doesn t](#) - Mar 18 2021

web aug 23 2023 why a stranger s hello can boost your well being the power of weak social ties goats and soda researchers are exploring the impact of interactions with

exploring healthcare professionals beliefs experiences and - Jun 01 2022

web mar 11 2019 recently after what was to be a ldquo routine rdquo speech language evaluation for a 3 year old i had no choice but to bring the word ldquo autism rdquo

an arkansas toddler dies of rare brain eating amoeba infection - Jan 16 2021

web sep 11 2023 medical debt nearly pushed this family into homelessness millions more are at risk kayce atencio who had a heart attack when he was 19 was unable to rent an

how to approach difficult conversations with patients and - Jul 02 2022

web jul 29 2023 little is known about communication between patients families and healthcare providers regarding ethical concerns that patients and families experience

the difficult talk speaking with patients and families after medical - Sep 04 2022

web jan 1 2013 in our health care system families are expected to act as surrogate decision makers for critically ill patients who are often unable to speak on their own behalf this

[useful phrases for talking to your doctor turkishclass101](#) - Aug 11 2020

web sep 14 2023 by tom tapp september 14 2023 5 34pm drea de matteo instagram people find that hard to believe that i was never really paid very much money for any of

what to do if your doctor isn t listening to you time - Dec 27 2021

web apr 1 2012 traditional turkish families especially in the rural settings are male dominated and the father is the authority figure over both woman and children ataca

improving communications with patients and families in - Jul 10 2020

web check out the most useful phrases and vocabulary for talking to your doctor in turkish learn to say them in turkish and get the translations and bonus audio lessons from

interpersonal communication in and through family structure and - Jan 28 2022

web feb 16 2011 home the psnet collection book report talking with patients and families about medical error a guide for education and practice february 16 2011

□□□□□□ □□□□□ □□□□□□ □□□□ □□□□□□□□ □□ □□□□□□ □□□□□□ □□□□□□ - Jul 22 2021

web 1 day ago thu 14 sep 2023 03 22 edt the health secretary steve barclay has announced the government is committed to bringing in martha s rule in england

communicating and connecting with patients and their families - Oct 05 2022

web how to engage patients and families about care through the end of life covid 19 resources for healthcare and community leaders we ve compiled a sampling of

navigating communication with patients families in - Feb 09 2023

web jul 26 2021 we showed that patients and family caregivers are attuned to variations in the communication styles of health care providers and this impacts their experience of

communication of patients and family members ethical concerns - Aug 03 2022

web dec 1 2020 yet these words matter so much to the patient to the family for us as the clinicians and for the culture in our hospitals the third component of how we speak with

covid 19 lessons learned about communication between - Dec 07 2022

web aug 6 2020 families need to know their loved one is being cared for and most patients want their support system involved 3 tips for communication with patients families

family medicine primary care review wydawnictwo - Apr 30 2022

web nov 28 2022 this study explored healthcare professionals perceived role in talking to adult patients about sharing their diagnosis with children semi structured interviews

harry potter s miriam margolyes talks weight struggles - Dec 15 2020

web 5 hours ago 01 31 source cnn cnn an arkansas toddler died of a rare brain eating amoeba infection which was likely contracted at a splash pad at a country club

communicating effectively with hospitalized patients and - Mar 10 2023

web aug 20 2021 the covid 19 pandemic has emphasized the need for clear communication between health care providers and patients and families in many ways issues such as

former libyan health minister speaks about the disastrous flooding - Nov 13 2020

web sep 12 2023 miriam margolyes who played herbology expert professor sprout in the harry potter movies opened up about her health struggles on sunday s how to fail

unprecedented focus on global public health at un general - Sep 23 2021

web sep 11 2023 preventing kids and teens from smoking and vaping helping to prevent kids and teens from smoking and vaping starts with a talk with someone they can trust and

project muse talking with patients and families about medical - Mar 30 2022

web jun 30 2022 results 312 11 3 out of 2 765 family medicine residents in turkey participated in this study the majority of residents were female 73 1 more than half

preventing kids and teens from smoking and vaping canada ca - Oct 25 2021

web aug 17 2023 although a consensus has been reached regarding the ethical duty to communicate openly with patients who have been harmed by medical errors 1 6

everything you need to know about the potential uaw strike - Oct 13 2020

web 2 days ago more than 5 000 people are presumed dead and 10 000 missing after flooding in libya former libyan health minister dr reida el oakley talks about the devastating

how to talk to your loved ones about suicide forbes - May 20 2021

web sep 5 2023 signs in the u s continue to point to a rise in covid activity as fall approaches hospitalizations are rising deaths have ticked up wastewater samples are

why a stranger s hello can do more than just brighten your day - Apr 18 2021

web sep 8 2023 if you or someone you know is in crisis whether they are considering suicide or not please call 988 or the toll free national suicide lifeline at 800 273 talk 8255

government backs martha s rule on second medical opinion in - Aug 23 2021

web sep 12 2023 ill health robs individuals families communities and entire nations of opportunities to grow and flourish dr tedros said the fact that billions of people

improving communication with patients families - Aug 15 2023

early on during any hospital admission determine who the patient wishes the main point of contact to be this is crucial because so much confusion can result if information is shared with multiple family members assign one volunteer who can then share information with the rest of the family ideally during see more

improving communications with patients and families in - Apr 11 2023

web may 1 2008 effective communication is responsive to the needs of the whole patient and family dynamic it is essential

to patient centered and family centered care the basic

all signs point to a rise in covid nbc news - Jun 20 2021

web 0000 0000000 00000000 000000 00000 0000 000 00000000 00 00000000 000000 00 0000000 00000000 0000 00 0000 00000

drea de matteo talks onlyfans i d rather save my family - Sep 11 2020

web sep 14 2023 gm and ford stand to lose 2 5 billion and 3 billion in revenue respectively for every week a strike lasts
goldman sachs equity research estimated by

talking with patients and families about medical error a guide - Feb 26 2022

web talking with patients and families about medical error a guide for education and practice book robert d truog m d david
m browning m s w b c d f t judith a

communicating with children and families from - Jun 13 2023

some doctors see the responsibility of speaking with family as an extra part of the job and a bit of a drag that s an
unfortunate attitude as fewer things could be see more

the conversation project resources for healthcare - Nov 06 2022

web nov 27 2021 this study aims to explore and understand how communication with healthcare professionals was
experienced by family members to patients admitted to

communicating with relatives the bmj - Jul 14 2023

during the hospitalization strive to update the family member every day on what s happening confirming with the patient first
that it s ok to do so after see more