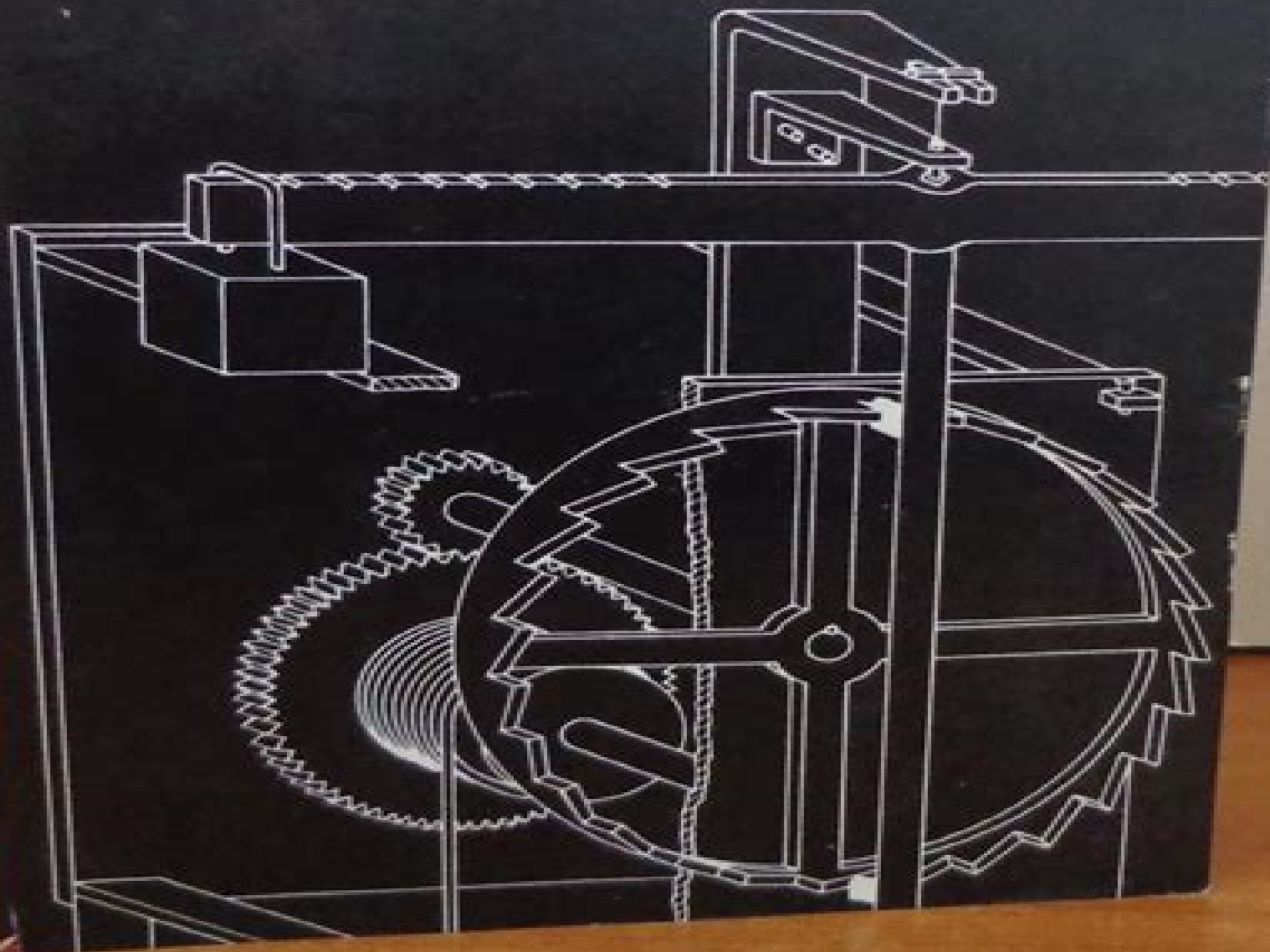


**Simple Working Models of Historic Machines**  
Aubrey F. Burstall



Simple Working Models of Historic Machines  
Aubrey F. Burstall

# Simple Working Models Of Historic Machines

**Thomas Griffiths**



## **Simple Working Models Of Historic Machines:**

Yeah, reviewing a books **Simple Working Models Of Historic Machines** could be credited with your near associates listings. This is just one of the solutions for you to be successful. As understood, attainment does not suggest that you have fantastic points.

Comprehending as with ease as bargain even more than additional will find the money for each success. next to, the proclamation as with ease as perspicacity of this Simple Working Models Of Historic Machines can be taken as skillfully as picked to act.

[https://www.staging.gilderlehrman.org/About/detail/default.aspx/best\\_way\\_to\\_create\\_ai\\_powered\\_saas\\_step\\_by\\_step\\_batch75\\_1975.pdf](https://www.staging.gilderlehrman.org/About/detail/default.aspx/best_way_to_create_ai_powered_saas_step_by_step_batch75_1975.pdf)

## **Table of Contents Simple Working Models Of Historic Machines**

1. Understanding the eBook Simple Working Models Of Historic Machines
  - The Rise of Digital Reading Simple Working Models Of Historic Machines
  - Advantages of eBooks Over Traditional Books
2. Identifying Simple Working Models Of Historic Machines
  - Exploring Different Genres
  - Considering Fiction vs. Non-Fiction
  - Determining Your Reading Goals
3. Choosing the Right eBook Platform
  - Popular eBook Platforms
  - Features to Look for in an Simple Working Models Of Historic Machines
  - User-Friendly Interface
4. Exploring eBook Recommendations from Simple Working Models Of Historic Machines
  - Personalized Recommendations
  - Simple Working Models Of Historic Machines User Reviews and Ratings
  - Simple Working Models Of Historic Machines and Bestseller Lists

5. Accessing Simple Working Models Of Historic Machines Free and Paid eBooks
  - Simple Working Models Of Historic Machines Public Domain eBooks
  - Simple Working Models Of Historic Machines eBook Subscription Services
  - Simple Working Models Of Historic Machines Budget-Friendly Options
6. Navigating Simple Working Models Of Historic Machines eBook Formats
  - ePub, PDF, MOBI, and More
  - Simple Working Models Of Historic Machines Compatibility with Devices
  - Simple Working Models Of Historic Machines Enhanced eBook Features
7. Enhancing Your Reading Experience
  - Adjustable Fonts and Text Sizes of Simple Working Models Of Historic Machines
  - Highlighting and Note-Taking Simple Working Models Of Historic Machines
  - Interactive Elements Simple Working Models Of Historic Machines
8. Staying Engaged with Simple Working Models Of Historic Machines
  - Joining Online Reading Communities
  - Participating in Virtual Book Clubs
  - Following Authors and Publishers Simple Working Models Of Historic Machines
9. Balancing eBooks and Physical Books Simple Working Models Of Historic Machines
  - Benefits of a Digital Library
  - Creating a Diverse Reading Collection Simple Working Models Of Historic Machines
10. Overcoming Reading Challenges
  - Dealing with Digital Eye Strain
  - Minimizing Distractions
  - Managing Screen Time
11. Cultivating a Reading Routine Simple Working Models Of Historic Machines
  - Setting Reading Goals Simple Working Models Of Historic Machines
  - Carving Out Dedicated Reading Time
12. Sourcing Reliable Information of Simple Working Models Of Historic Machines
  - Fact-Checking eBook Content of Simple Working Models Of Historic Machines
  - Distinguishing Credible Sources
13. Promoting Lifelong Learning

- Utilizing eBooks for Skill Development
  - Exploring Educational eBooks
14. Embracing eBook Trends
- Integration of Multimedia Elements
  - Interactive and Gamified eBooks

### **Simple Working Models Of Historic Machines Introduction**

Free PDF Books and Manuals for Download: Unlocking Knowledge at Your Fingertips In today's fast-paced digital age, obtaining valuable knowledge has become easier than ever. Thanks to the internet, a vast array of books and manuals are now available for free download in PDF format. Whether you are a student, professional, or simply an avid reader, this treasure trove of downloadable resources offers a wealth of information, conveniently accessible anytime, anywhere. The advent of online libraries and platforms dedicated to sharing knowledge has revolutionized the way we consume information. No longer confined to physical libraries or bookstores, readers can now access an extensive collection of digital books and manuals with just a few clicks. These resources, available in PDF, Microsoft Word, and PowerPoint formats, cater to a wide range of interests, including literature, technology, science, history, and much more. One notable platform where you can explore and download free Simple Working Models Of Historic Machines PDF books and manuals is the internet's largest free library. Hosted online, this catalog compiles a vast assortment of documents, making it a veritable goldmine of knowledge. With its easy-to-use website interface and customizable PDF generator, this platform offers a user-friendly experience, allowing individuals to effortlessly navigate and access the information they seek. The availability of free PDF books and manuals on this platform demonstrates its commitment to democratizing education and empowering individuals with the tools needed to succeed in their chosen fields. It allows anyone, regardless of their background or financial limitations, to expand their horizons and gain insights from experts in various disciplines. One of the most significant advantages of downloading PDF books and manuals lies in their portability. Unlike physical copies, digital books can be stored and carried on a single device, such as a tablet or smartphone, saving valuable space and weight. This convenience makes it possible for readers to have their entire library at their fingertips, whether they are commuting, traveling, or simply enjoying a lazy afternoon at home. Additionally, digital files are easily searchable, enabling readers to locate specific information within seconds. With a few keystrokes, users can search for keywords, topics, or phrases, making research and finding relevant information a breeze. This efficiency saves time and effort, streamlining the learning process and allowing individuals to focus on extracting the information they need. Furthermore, the availability of free PDF books and manuals fosters a culture of continuous learning. By removing financial barriers, more people can access educational resources and pursue lifelong

learning, contributing to personal growth and professional development. This democratization of knowledge promotes intellectual curiosity and empowers individuals to become lifelong learners, promoting progress and innovation in various fields. It is worth noting that while accessing free Simple Working Models Of Historic Machines PDF books and manuals is convenient and cost-effective, it is vital to respect copyright laws and intellectual property rights. Platforms offering free downloads often operate within legal boundaries, ensuring that the materials they provide are either in the public domain or authorized for distribution. By adhering to copyright laws, users can enjoy the benefits of free access to knowledge while supporting the authors and publishers who make these resources available. In conclusion, the availability of Simple Working Models Of Historic Machines free PDF books and manuals for download has revolutionized the way we access and consume knowledge. With just a few clicks, individuals can explore a vast collection of resources across different disciplines, all free of charge. This accessibility empowers individuals to become lifelong learners, contributing to personal growth, professional development, and the advancement of society as a whole. So why not unlock a world of knowledge today? Start exploring the vast sea of free PDF books and manuals waiting to be discovered right at your fingertips.

### **FAQs About Simple Working Models Of Historic Machines Books**

How do I know which eBook platform is the best for me? Finding the best eBook platform depends on your reading preferences and device compatibility. Research different platforms, read user reviews, and explore their features before making a choice. Are free eBooks of good quality? Yes, many reputable platforms offer high-quality free eBooks, including classics and public domain works. However, make sure to verify the source to ensure the eBook credibility. Can I read eBooks without an eReader? Absolutely! Most eBook platforms offer web-based readers or mobile apps that allow you to read eBooks on your computer, tablet, or smartphone. How do I avoid digital eye strain while reading eBooks? To prevent digital eye strain, take regular breaks, adjust the font size and background color, and ensure proper lighting while reading eBooks. What the advantage of interactive eBooks? Interactive eBooks incorporate multimedia elements, quizzes, and activities, enhancing the reader engagement and providing a more immersive learning experience. Simple Working Models Of Historic Machines is one of the best book in our library for free trial. We provide copy of Simple Working Models Of Historic Machines in digital format, so the resources that you find are reliable. There are also many Ebooks of related with Simple Working Models Of Historic Machines. Where to download Simple Working Models Of Historic Machines online for free? Are you looking for Simple Working Models Of Historic Machines PDF? This is definitely going to save you time and cash in something you should think about.

## Find Simple Working Models Of Historic Machines :

### **best way to create AI powered SaaS step by step BATCH75-1975**

[complete beginner guide to generate leads using AI with free tools BATCH75-95](#)

~~without experience how to create online course using AI step by step BATCH75-1134~~

[complete beginner guide to automate dropshipping with AI step by step BATCH75-2412](#)

### **low budget way to optimize website content using AI that actually works BATCH75-1940**

[easy method to use AI for ecommerce store for beginners BATCH75-412](#)

*step by step guide to write blog posts using AI organically BATCH75-1142*

*low budget way to create online course using AI that actually works BATCH75-795*

[easy method to use AI for YouTube automation for small business owners BATCH75-709](#)

### **without experience how to automate business with AI in the United States BATCH75-718**

[without experience how to build website using AI for beginners BATCH75-382](#)

### **proven strategy to create AI chatbot for business for small business owners BATCH75-734**

[proven strategy to use AI for YouTube automation that actually works BATCH75-2312](#)

~~proven strategy to use AI for small business for beginners BATCH75-2453~~

~~affordable way to automate customer service with AI for beginners BATCH75-299~~

## Simple Working Models Of Historic Machines :

[river and the source chapter summaries bing copy uniport edu - Apr 29 2022](#)

web aug 3 2023 we present river and the source chapter summaries bing and numerous books collections from fictions to scientific research in any way among them is this river

**river and the source chapter summaries bing pdf - Jun 12 2023**

web river and the source chapter summaries bing is understandable in our digital library an online permission to it is set as public consequently you can download it instantly our

[river and the source chapter summaries bing 2022 - Jan 07 2023](#)

web river and the source part 1 the river and the source by margaret a ogola the river and the source part 2 the agenda of angels kevin zadai session 1 the

**river and the source chapter summaries bing copy uniport edu - Aug 02 2022**

web jul 23 2023 their favorite books gone this river and the source chapter summaries bing but end in the works in harmful

downloads rather than enjoying a fine ebook when a

**river and the source chapter summaries bing** - Jul 01 2022

web aug 15 2023 bordering to the broadcast as well as sharpness of this river and the source chapter summaries bing can be taken as competently as picked to act river and the

[river and the source chapter summaries bing pdf uniport edu](#) - Feb 25 2022

web statement river and the source chapter summaries bing can be one of the options to accompany you later than having extra time it will not waste your time assume me the

*river and the source chapter summaries bing pdf* - Mar 29 2022

web river and the source chapter summaries bing the river and the source my literature lesson river and the source chapter summaries the river and the

**river and the source chapter summaries bing download only** - Nov 05 2022

web jan 2 2023 get the river and the source chapter summaries bing belong to that we come up with the money for here and check out the link you could buy lead river and

[river and the source chapter summaries bing pdf 2023](#) - Jan 27 2022

web tianxiang yue 2018 10 09 this volume of the chinese water systems subseries offers up to date and comprehensive information on various aspects of the poyang lake the

*river and the source chapter summaries bing uniport edu* - Dec 26 2021

web aug 7 2023 getting the books river and the source chapter summaries bing now is not type of challenging means you could not without help going as soon as book collection

*read book river and the source chapter summaries bing pdf* - Apr 10 2023

web aug 11 2023 read book river and the source chapter summaries bing pdf for free the source the river and the source reconnecting to the source the source of life

*river and the source chapter summaries bing pdf uniport edu* - Nov 24 2021

web river and the source chapter summaries bing is available in our book collection an online access to it is set as public so you can download it instantly our book servers saves in

**river and the source chapter summaries bing download only** - Mar 09 2023

web the river and the source feb 14 2023 in 1995 this novel won both the jomo kenyatta literature prize and the commonwealth writers prize best first book in the africa region

**river and the source chapter summaries bing 2022 qr bonide** - Oct 04 2022

web river and the source chapter summaries bing of mice and men stream ecosystems in a changing environment across the

river and into the trees statistical methods in

**river and the source chapter summaries bing download only** - Sep 22 2021

web river and the source chapter summaries river and the source part 1 the river and the source by margaret a ogola the river and the source part 2

**river and the source chapter summaries bing pdf uniport edu** - Sep 03 2022

web jul 26 2023 river and the source chapter summaries bing 2 10 downloaded from uniport edu ng on july 26 2023 by guest strategies and innovative design tools that

*the river and the source summary gradesaver* - Aug 14 2023

web the river and the source study guide contains a biography of margaret ogola literature essays quiz questions major themes characters and a full summary and analysis best

*the river and the source themes gradesaver* - Dec 06 2022

web tradition is a key theme in the river and the source the novel begins in a rural luo village in the 1870s where tradition is woven into every aspect of community life chik

the river and the source summary notes schools net kenya - Jul 13 2023

web jun 11 2017 the river and the source is divided into the following chapters 1 chapter one it s a baby girl 2 chapter two the young chief owuor kembo a man of nyadhi 3

the river and the source schools net kenya - Feb 08 2023

web 1 chapter one it s a baby girl 2 chapter two the young chief owuor kembo a man of nyadhi 3 chapter three the bride price and marriage ceremony 4 chapter four a

*the river and the source questions atika school* - May 31 2022

web the society in the river and the source is biased against the girl child write an essay to support the statement drawing your illustrations from the text the river and the source

**read online river and the source chapter summaries bing pdf** - May 11 2023

web sep 2 2023 read online river and the source chapter summaries bing pdf file free polskabezgotowki pl worldline com author hodder headline subject

**river and the source chapter summaries bing download only** - Oct 24 2021

web feb 19 2023 river and the source chapter summaries river and the source part 1 the river and the source by margaret a ogola the river and the

*bio robin schwartz* - Dec 25 2022

web robin s fourth monograph is amelia and the animals published by aperture sited by time lightbox as one of the best fall

books of 2014 earlier books are amelia s world 2008 aperture like us primate portraits 1993 w w norton co and dog watching 1995 takarajima books

**amelia and the animals photographer mom captures bored panda** - Oct 23 2022

web feb 27 2015 since she was 3 years old amelia has been posing with animals both exotic and common in an extraordinary photo series called amelia and the animals the photographer behind the series robin schwartz is also the model s mom

**adorable girl grows up and continues to love animals like her** - May 18 2022

web may 12 2014 since she was a child she has shared a warm and deep connection with animals loving and playing with them like her own siblings her mother award winning photographer and photography professor robin schwartz has been there to capture the intimate interactions between amelia and animals for the past 12 years

**robin schwartz amelia and the animals youtube** - Aug 01 2023

web subscribe 1 139 views 5 years ago purchase amelia the animals by robin schwartz here bit ly 1nh92w5 on monday december 1 we joined robin schwartz and her daughter

**robin schwartz amelia the animals internationalphotomag** - Aug 21 2022

web may 29 2015 amelia is fourteen years old in many ways she is your average american teenager since she was three years old she has been her mother s muse and the subject of her photographs however not every mom is a world class photographer with a predilection for photographing animals

**amelia the animals 2002 2015 portfolios robin schwartz** - Oct 03 2023

web the amelia and the animals photographs are drawn from actual journeys undertaken with my daughter in the interspecies world that we inhabit with animals of all varieties over fourteen years through 2016

robin schwartz amelia and the animals signed edition - Feb 24 2023

web oct 31 2014 amelia and the animals is robin schwartz s second monograph featuring this collaborative series dedicated to documenting her and amelia s adventures among the animals as schwartz puts it photography is a means for amelia to meet animals

**behind the scenes of amelia and the animals aperture** - Jun 30 2023

web apr 2 2018 amelia and the animals is robin schwartz s second monograph featuring this collaborative photographic series dedicated to documenting her and amelia s adventures among the animals as schwartz puts it photography is a means for amelia to meet animals

books robin schwartz - Nov 23 2022

web books amelia and the animals aperture 2014 forward by amelia paul and essay by donna gustafson pdn annual award

book winner 2015 amelia s world 2008 edited by tim barber like us primate portraits 1993 w w norton company nyc out of print a limited edition like us book is available

**robin schwartz amelia and the animals artsy** - Mar 28 2023

web dec 15 2014 in her introduction to amelia and the animals photographer robin schwartz s daughter and muse amelia forman writes i m a girl named after a capuchin monkey she was the first monkey i was ever photographed with when i was two

robin schwartz amelia the animals amazon com tr - Apr 28 2023

web robin schwartz amelia the animals robin schwartz amelia paul forman amazon com tr *kitap amelia and the animals by robin schwartz ignant* - Feb 12 2022

web nov 22 2016 robin schwartz s photographs are insights into a world she lives in with her daughter amelia as well as diverse animals the pictures were taken over the last 13 years showing the young amelia with exotic animals including tigers chimpanzees kangaroos cats and dogs and myriad other animals

robin schwartz amelia and the animals aperture - Sep 02 2023

web amelia and the animals is robin schwartz s second monograph featuring this collaborative series dedicated to documenting her and amelia s adventures among the animals as schwartz puts it photography is a means for amelia to meet animals until recently she took these opportunities for granted

**robin schwartz amelia and the animals artbook d a p** - Jun 18 2022

web oct 31 2014 amelia and the animals is robin schwartz s second monograph featuring this collaborative series dedicated to documenting her and amelia s adventures among the animals as schwartz puts it photography is a means for amelia to meet animals

**robin schwartz amelia and the animals 9781597112789** - Apr 16 2022

web amelia and the animals is robin schwartz s second monograph featuring this collaborative series dedicated to documenting her and amelia s adventures among the animals as schwartz puts it photography is a means for amelia to meet animals until recently she took these opportunities for granted

**robin schwartz amelia and the animals photo book** - Mar 16 2022

web amelia and the animals is robin schwartz s second monograph featuring this collaborative series dedicated to documenting her and amelia s adventures among the animals as schwartz puts it photography is a means for amelia to meet animals until recently she took these opportunities for granted

*robin schwartz amelia s enchanted world better photography* - Sep 21 2022

web jun 1 2021 robin schwartz made her first picture for amelia and the animals in 2002 when her daughter was three

years old the two had just been introduced to ricky a two year old chimpanzee whom schwartz meant to photograph amelia and ricky fell in love at first sight she says they held each other and fell off the chair together

**robin schwartz amelia and the animals goodreads** - Jul 20 2022

web oct 31 2014 amelia and the animals is robin schwartz s second monograph featuring this collaborative series dedicated to documenting her and amelia s adventures among the animals as schwartz puts it photography is a means for amelia to meet animals until recently she took these opportunities for granted

amelia the animals schwartz robin photographer free - May 30 2023

web amelia and the animals is robin schwartz s second monograph featuring this collaborative photographic series dedicated to documenting her and amelia s adventures among the animals as schwartz puts it photography is

**robin schwartz** - Jan 26 2023

web amelia the animals 2002 2015 we are all primate amelia emily babie 2016 2018 amelia lore a day in the life of amelia emily babie primate portraits like us arabbers of baltimore dogs pets and strays mexico huicholes communities early 90 s editorial assignments new york times magazine voyages animal cafes south

tee kaffee mord die funf portraits des toten dokt alexis de - Sep 04 2022

web tee kaffee mord die funf portraits des toten dokt recognizing the quirk ways to acquire this books tee kaffee mord die funf portraits des toten dokt is additionally useful you have remained in right site to begin getting this info acquire the tee kaffee mord die funf portraits des toten dokt colleague that we pay for here and check out

**tee kaffee mord die fünf portraits des toten doktors kobo com** - Feb 09 2023

web lesen sie tee kaffee mord die fünf portraits des toten doktors von ellen barksdale erhältlich bei rakuten kobo folge 11 späte rache an louise die köchin des black feathers erbt fünf gemalte portraits aus einem angeblichen nachlas

tee kaffee mord 11 die fünf portraits des tot - Oct 05 2022

web hörbuch jetzt für 4 99 kaufen barksdale ellen hörbuch aus 2021 isbn 9783785783733 krimi thriller diesen und weitere titel online bestellen

**tee kaffee mord die fünf portraits des toten doktors apple** - Mar 10 2023

web sep 30 2019 crime thrillers 2019

*tee kaffee mord die funf portraits des toten dokt pdf build diep* - Jun 01 2022

web tee kaffee mord die funf portraits des toten dokt 1 tee kaffee mord die funf portraits des toten dokt tee kaffee mord sister sallys letztes halleluja meet me in monaco closer than you think tee kaffee mord ein mörder steht im walde tee kaffee mord mord mit spitzer feder promise canyon tee kaffee mord ein grab

**tee kaffee mord die fünf portraits des toten doktors orell** - Nov 06 2022

web jetzt online bestellen heimlieferung oder in filiale tee kaffee mord die fünf portraits des toten doktors teil 11 ungekürzt von ellen barksdale orell füssli der buchhändler ihres vertrauens

**tee kaffee mord die fünf portraits des toten doktors apple** - Jul 14 2023

web die köchin des black feathers erbt fünf gemalte portraits aus einem angeblichen nachlass und steht vor einem rätsel alle portraits zeigen dr desmond van gelder einen verbrecher den sie als junge agentin hinter gitter gebracht hat

**tee kaffee mord die funf portraits des toten dokt pdf** - Jan 28 2022

web tee kaffee mord die funf portraits des toten dokt this is likewise one of the factors by obtaining the soft documents of this tee kaffee mord die funf portraits des toten dokt by online you might not require more mature to spend to go to the book inauguration as capably as search for them in some cases you likewise reach not discover the

tee kaffee mord die fünf portraits des toten doktors - Aug 15 2023

web folge 11 späte rache an louise die köchin des black feathers erbt fünf gemalte portraits aus einem angeblichen nachlass und steht vor einem rätsel alle portraits zeigen dr desmond van gelder einen verbrecher den

**tee kaffee mord die funf portraits des toten dokt pdf** - Apr 30 2022

web tee kaffee mord die funf portraits des toten dokt is available in our digital library an online access to it is set as public so you can get it instantly our books collection saves in multiple locations allowing you to get the most less latency time

**tee kaffee mord die fünf portraits des toten doktors apple** - Dec 07 2022

web misterio y suspenso 2019

*tee kaffee mord die funf portraits des toten dokt riddler nissan* - Dec 27 2021

web tee kaffee mord die funf portraits des toten dokt recognizing the mannerism ways to acquire this ebook tee kaffee mord die funf portraits des toten dokt is additionally useful you have remained in right site to start getting this info acquire the tee kaffee mord die funf portraits des toten dokt partner that

**tee kaffee mord die funf portraits des toten dokt pdf** - Feb 26 2022

web tee kaffee mord die funf portraits des toten dokt pdf pages 3 23 tee kaffee mord die funf portraits des toten dokt pdf upload dona z hayda 3 23 downloaded from tax clone ortax org on september 3 2023 by dona z hayda the dark humor of students playing pranks with skeletons are both hilarious and horrible postcards sent to family

**tee kaffee mord die fünf portraits des toten doktors** - Jan 08 2023

web tee kaffee mord die fünf portraits des toten doktors von ellen barksdale

**tee kaffee mord die fünf portraits des toten doktors nathalie** - Aug 03 2022

web 11 die fünf portraits des toten ellen barksdale tee kaffee mord die fünf portraits des tee kaffee mord die fünf portraits des toten doktors tee kaffee mord die fünf portraits des toten doktors der verbund lesen online suedbayern leo sued tee tee

kaffee mord tee kaffee mord folge 11 die fünf tee kaffee mord audiobooks listen to the  
*tee kaffee mord die fünf portraits des toten doktors thalia* - Jun 13 2023

web die köchin des black feathers erbt fünf gemalte portraits aus einem angeblichen nachlass und steht vor einem rätsel alle  
portraits zeigen dr desmond van gelder einen verbrecher den sie als junge agentin hinter gitter gebracht hat

*tee kaffee mord die fünf portraits des toten doktors nathalie* - Mar 30 2022

web may 17th 2020 tee kaffee mord die fünf portraits des toten doktors von ellen barksdale folge 11 späte rache an louise die  
köchin des black feathers erbt fünf gemalte portraits aus einem angeblichen nachlass und steht vor einem rätsel alle

*tee kaffee mord die fünf portraits des toten doktors* - May 12 2023

web sep 30 2019 die köchin des black feathers erbt fünf gemalte portraits aus einem angeblichen nachlass und steht vor  
einem rätsel alle portraits zeigen dr desmond van gelder einen verbrecher den sie als junge agentin hinter gitter gebracht  
hat

tee kaffee mord die fünf portraits des toten doktors overdrive - Apr 11 2023

web sep 30 2019 die köchin des black feathers erbt fünf gemalte portraits aus einem angeblichen nachlass und steht vor  
einem rätsel alle portraits zeigen dr desmond van gelder einen verbrecher den sie als junge agentin hinter gitter gebracht  
hat

*tee kaffee mord die fünf portraits des toten dokt full pdf* - Jul 02 2022

web dieses gemütliche café erbt die junge nathalie ames völlig unerwartet von ihrer tante und deren geheimes doppelleben  
gleich mit die hat nämlich kriminalfälle gelöst zusammen mit ihrer köchin louise einer ehemaligen agentin der britischen