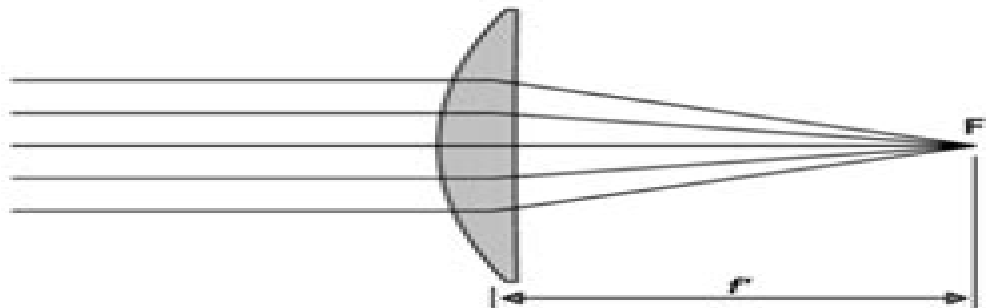


# INTRODUCTION TO OPHTHALMIC OPTICS

**Darryl Meister, ABOM**  
**James E. Sheedy, OD, PhD**



CARL ZEISS VISION

# Optics An Introduction For Ophthalmologists

**S Ben Porath**



## **Optics An Introduction For Ophthalmologists:**

Immerse yourself in the artistry of words with Experience Art with its expressive creation, Immerse Yourself in **Optics An Introduction For Ophthalmologists** . This ebook, presented in a PDF format ( PDF Size: \*), is a masterpiece that goes beyond conventional storytelling. Indulge your senses in prose, poetry, and knowledge. Download now to let the beauty of literature and artistry envelop your mind in a unique and expressive way.

[https://www.staging.gilderlehrman.org/public/detail/index.jsp/pratique\\_des\\_normes\\_ifrs\\_par\\_la\\_profesion\\_bancaire.pdf](https://www.staging.gilderlehrman.org/public/detail/index.jsp/pratique_des_normes_ifrs_par_la_profesion_bancaire.pdf)

## **Table of Contents Optics An Introduction For Ophthalmologists**

1. Understanding the eBook Optics An Introduction For Ophthalmologists
  - The Rise of Digital Reading Optics An Introduction For Ophthalmologists
  - Advantages of eBooks Over Traditional Books
2. Identifying Optics An Introduction For Ophthalmologists
  - Exploring Different Genres
  - Considering Fiction vs. Non-Fiction
  - Determining Your Reading Goals
3. Choosing the Right eBook Platform
  - Popular eBook Platforms
  - Features to Look for in an Optics An Introduction For Ophthalmologists
  - User-Friendly Interface
4. Exploring eBook Recommendations from Optics An Introduction For Ophthalmologists
  - Personalized Recommendations
  - Optics An Introduction For Ophthalmologists User Reviews and Ratings
  - Optics An Introduction For Ophthalmologists and Bestseller Lists
5. Accessing Optics An Introduction For Ophthalmologists Free and Paid eBooks
  - Optics An Introduction For Ophthalmologists Public Domain eBooks
  - Optics An Introduction For Ophthalmologists eBook Subscription Services
  - Optics An Introduction For Ophthalmologists Budget-Friendly Options

6. Navigating Optics An Introduction For Ophthalmologists eBook Formats
  - ePub, PDF, MOBI, and More
  - Optics An Introduction For Ophthalmologists Compatibility with Devices
  - Optics An Introduction For Ophthalmologists Enhanced eBook Features
7. Enhancing Your Reading Experience
  - Adjustable Fonts and Text Sizes of Optics An Introduction For Ophthalmologists
  - Highlighting and Note-Taking Optics An Introduction For Ophthalmologists
  - Interactive Elements Optics An Introduction For Ophthalmologists
8. Staying Engaged with Optics An Introduction For Ophthalmologists
  - Joining Online Reading Communities
  - Participating in Virtual Book Clubs
  - Following Authors and Publishers Optics An Introduction For Ophthalmologists
9. Balancing eBooks and Physical Books Optics An Introduction For Ophthalmologists
  - Benefits of a Digital Library
  - Creating a Diverse Reading Collection Optics An Introduction For Ophthalmologists
10. Overcoming Reading Challenges
  - Dealing with Digital Eye Strain
  - Minimizing Distractions
  - Managing Screen Time
11. Cultivating a Reading Routine Optics An Introduction For Ophthalmologists
  - Setting Reading Goals Optics An Introduction For Ophthalmologists
  - Carving Out Dedicated Reading Time
12. Sourcing Reliable Information of Optics An Introduction For Ophthalmologists
  - Fact-Checking eBook Content of Optics An Introduction For Ophthalmologists
  - Distinguishing Credible Sources
13. Promoting Lifelong Learning
  - Utilizing eBooks for Skill Development
  - Exploring Educational eBooks
14. Embracing eBook Trends
  - Integration of Multimedia Elements

- Interactive and Gamified eBooks

### **Optics An Introduction For Ophthalmologists Introduction**

In today's digital age, the availability of Optics An Introduction For Ophthalmologists books and manuals for download has revolutionized the way we access information. Gone are the days of physically flipping through pages and carrying heavy textbooks or manuals. With just a few clicks, we can now access a wealth of knowledge from the comfort of our own homes or on the go. This article will explore the advantages of Optics An Introduction For Ophthalmologists books and manuals for download, along with some popular platforms that offer these resources. One of the significant advantages of Optics An Introduction For Ophthalmologists books and manuals for download is the cost-saving aspect. Traditional books and manuals can be costly, especially if you need to purchase several of them for educational or professional purposes. By accessing Optics An Introduction For Ophthalmologists versions, you eliminate the need to spend money on physical copies. This not only saves you money but also reduces the environmental impact associated with book production and transportation. Furthermore, Optics An Introduction For Ophthalmologists books and manuals for download are incredibly convenient. With just a computer or smartphone and an internet connection, you can access a vast library of resources on any subject imaginable. Whether you're a student looking for textbooks, a professional seeking industry-specific manuals, or someone interested in self-improvement, these digital resources provide an efficient and accessible means of acquiring knowledge. Moreover, PDF books and manuals offer a range of benefits compared to other digital formats. PDF files are designed to retain their formatting regardless of the device used to open them. This ensures that the content appears exactly as intended by the author, with no loss of formatting or missing graphics. Additionally, PDF files can be easily annotated, bookmarked, and searched for specific terms, making them highly practical for studying or referencing. When it comes to accessing Optics An Introduction For Ophthalmologists books and manuals, several platforms offer an extensive collection of resources. One such platform is Project Gutenberg, a nonprofit organization that provides over 60,000 free eBooks. These books are primarily in the public domain, meaning they can be freely distributed and downloaded. Project Gutenberg offers a wide range of classic literature, making it an excellent resource for literature enthusiasts. Another popular platform for Optics An Introduction For Ophthalmologists books and manuals is Open Library. Open Library is an initiative of the Internet Archive, a non-profit organization dedicated to digitizing cultural artifacts and making them accessible to the public. Open Library hosts millions of books, including both public domain works and contemporary titles. It also allows users to borrow digital copies of certain books for a limited period, similar to a library lending system. Additionally, many universities and educational institutions have their own digital libraries that provide free access to PDF books and manuals. These libraries often offer academic texts, research papers, and technical manuals, making them invaluable resources for students and researchers.

Some notable examples include MIT OpenCourseWare, which offers free access to course materials from the Massachusetts Institute of Technology, and the Digital Public Library of America, which provides a vast collection of digitized books and historical documents. In conclusion, Optics An Introduction For Ophthalmologists books and manuals for download have transformed the way we access information. They provide a cost-effective and convenient means of acquiring knowledge, offering the ability to access a vast library of resources at our fingertips. With platforms like Project Gutenberg, Open Library, and various digital libraries offered by educational institutions, we have access to an ever-expanding collection of books and manuals. Whether for educational, professional, or personal purposes, these digital resources serve as valuable tools for continuous learning and self-improvement. So why not take advantage of the vast world of Optics An Introduction For Ophthalmologists books and manuals for download and embark on your journey of knowledge?

### FAQs About Optics An Introduction For Ophthalmologists Books

1. Where can I buy Optics An Introduction For Ophthalmologists books? Bookstores: Physical bookstores like Barnes & Noble, Waterstones, and independent local stores. Online Retailers: Amazon, Book Depository, and various online bookstores offer a wide range of books in physical and digital formats.
2. What are the different book formats available? Hardcover: Sturdy and durable, usually more expensive. Paperback: Cheaper, lighter, and more portable than hardcovers. E-books: Digital books available for e-readers like Kindle or software like Apple Books, Kindle, and Google Play Books.
3. How do I choose a Optics An Introduction For Ophthalmologists book to read? Genres: Consider the genre you enjoy (fiction, non-fiction, mystery, sci-fi, etc.). Recommendations: Ask friends, join book clubs, or explore online reviews and recommendations. Author: If you like a particular author, you might enjoy more of their work.
4. How do I take care of Optics An Introduction For Ophthalmologists books? Storage: Keep them away from direct sunlight and in a dry environment. Handling: Avoid folding pages, use bookmarks, and handle them with clean hands. Cleaning: Gently dust the covers and pages occasionally.
5. Can I borrow books without buying them? Public Libraries: Local libraries offer a wide range of books for borrowing. Book Swaps: Community book exchanges or online platforms where people exchange books.
6. How can I track my reading progress or manage my book collection? Book Tracking Apps: Goodreads, LibraryThing, and Book Catalogue are popular apps for tracking your reading progress and managing book collections. Spreadsheets: You can create your own spreadsheet to track books read, ratings, and other details.

7. What are Optics An Introduction For Ophthalmologists audiobooks, and where can I find them? Audiobooks: Audio recordings of books, perfect for listening while commuting or multitasking. Platforms: Audible, LibriVox, and Google Play Books offer a wide selection of audiobooks.
8. How do I support authors or the book industry? Buy Books: Purchase books from authors or independent bookstores. Reviews: Leave reviews on platforms like Goodreads or Amazon. Promotion: Share your favorite books on social media or recommend them to friends.
9. Are there book clubs or reading communities I can join? Local Clubs: Check for local book clubs in libraries or community centers. Online Communities: Platforms like Goodreads have virtual book clubs and discussion groups.
10. Can I read Optics An Introduction For Ophthalmologists books for free? Public Domain Books: Many classic books are available for free as they're in the public domain. Free E-books: Some websites offer free e-books legally, like Project Gutenberg or Open Library.

**Find Optics An Introduction For Ophthalmologists :**

*pratique des normes ifrs par la profebion bancaire*

**practically perfect harlequin medical romance 1**

**practical helps from godly play complete guide to godly play**

**practical management of haemoglobinopathies**

**practical review of neuropathology**

**practice tests for social problems in a diverse society**

**practice and assess test prep for world history**

**practical marketing for your small retail business**

practical marketing planning pb

practice and profession of astrology rebuilding our lost connections with the cosmos

~~pratts guide to venture capital sources 1995 pratts guide to private equity sources~~

practical yoga a pictorial approach

practical guide for the unmarried couple

practicing physicians approach to headache

**practical social sciences**

**Optics An Introduction For Ophthalmologists :**

Libretto d'uso e Manutenzione online per la tua MINI Il libretto Uso e manutenzione online rappresenta la versione più aggiornata per la tua MINI ... JOHN COOPER WORKS. John ... Manuali Uso e Manutenzione - MINIMINOR.COM Disponibili i manuali d'Uso e Manutenzione per la propria Innocenti Mini Minor e Mini Cooper. Sono disponibili anche per i modelli di Mini più recenti di ... MINI Driver's Guide 4+ - App Store La Driver's Guide è un libretto Uso e manutenzione specifico\* per modelli MINI selezionati\*\*. Per visualizzare il documento la prima volta è necessario un ... Manuale uso e manutenzione MINI 3-5 porte (ITA) Sep 16, 2021 — Manuale di uso e manutenzione per MINI F55-F56 in lingua italiana (©BMW Group) Manuali e istruzioni per auto Mini Libretto Uso E Manutenzione Mini Cooper. Di seconda mano: Privato. EUR 28,00. 0 offerte · Scadenza: 18 dic., alle 16:48 ... MINI Owners and Service Manual Need to see the owner manuals for your MINI? Find a PDF manual or use our interactive online manual to search and view instructional videos & FAQs. Manuali di assistenza e riparazione Mini Cooper per l'auto Trova una vasta selezione di Manuali di assistenza e riparazione Mini Cooper per l'auto a prezzi vantaggiosi su eBay. Scegli la consegna gratis per ... Manuali di riparazione per MINI e video tutorial. Libretto di istruzioni MINI gratuito · Manuale uso e manutenzione MINI online · Manuale officina MINI pdf · Manuale tecnico d'officina MINI scaricare · Libretto uso ... MINI Driver's Guide - App su Google Play La Driver's Guide è un libretto Uso e manutenzione specifico\* per modelli MINI selezionati\*\*. Per visualizzare il documento la prima volta è necessario un ... Innocenti Mini Cooper 1300 - Manuale D'uso e ... - Scribd Manual de uso del Innocenti Mini Cooper 1300 en italiano by daloppel. Romantic Serenades for Strings A generous and unique compilation of Romantic music for string orchestra, featuring both delightful rarities and renowned masterpieces of the genre. Romantic Serenades for Strings CD1. 58'00. Pyotr Ilyich Tchaikovsky 1840-1893. Serenade for Strings Op.48. 1. I. Pezzo in forma di sonatina: Andante non troppo -. Allegro moderato. Romantic Serenades for Strings The term serenade originally signified a musical greeting, usually performed out of doors in the evening, to a beloved or a person of importance. Adagio - Romantic Serenades (1999) (Full Album) - YouTube Romantic Serenades Peter Tchaikovsky, Edvard Hagerup Grieg, Edward Wiliam Elgar, Bratislava Chamber Orchestra - Romantic Serenades - Amazon.com Music. Romantic Serenades for Strings - BRILLIANT CLASSICS ... Their performance of the Suk, a lovely work in four movements, is fine and affectionate. Some might find it a little too affectionate: some tempo changes might ... Dvořák, Suk, Elgar & Fuchs: Romantic Serenades Listen to Dvořák, Suk, Elgar & Fuchs: Romantic Serenades by Camerata Bern & Thomas Füre on Apple Music. 2000. 20 Songs. Duration: 1 hour, 55 minutes. Janáček · Kalinnikov · Tchaikovsky - Romantic Serenades ... View credits, reviews, tracks and shop for the 2018 CD release of "Romantic Serenades For Strings" on Discogs. Romantic Serenades - YouTube User manual Husqvarna Viking 230 (English - 44 pages) Manual. View the manual for the Husqvarna Viking 230 here, for free. This manual comes under the category sewing machines and has been rated by 7 people ... User manual Husqvarna 230 (English - 44 pages) Manual. View the manual for the Husqvarna

230 here, for free. This manual comes under the category sewing machines and has been rated by 8 people with an ...  
Husqvarna 230 Manuals We have 1 Husqvarna 230 manual available for free PDF download: Operating Manual. Husqvarna  
230 Operating Manual (45 pages). Viking 230 Instruction Manual This instruction manual is the ultimate guide to unlock the  
full potential of your Viking 230. No more confusion or frustration—just clear, concise instructions ... Manual Husqvarna 230  
Sewing Machine Manual for Husqvarna 230 Sewing Machine. View and download the pdf, find answers to frequently asked  
questions and read feedback from users. Machine Support - HUSQVARNA VIKING® Download manual. Troubleshooting  
guide. Register your machine. Machine support. Toll free 1.800.446.2333. Monday - Friday: 8:00 am - 4:00 pm CST info@ ...  
Husqvarna Viking 210 230 250 instruction user manual Husqvarna Viking 210 230 250 sewing machine instruction and user  
manual, 42 pages. PDF download. Husqvarna Viking 210 230 250 instruction user manual ... HUSQVARNA AUTOMOWER®  
230 ACX/220 AC ... Introduction and safety ..... 5. 1.1 Introduction .