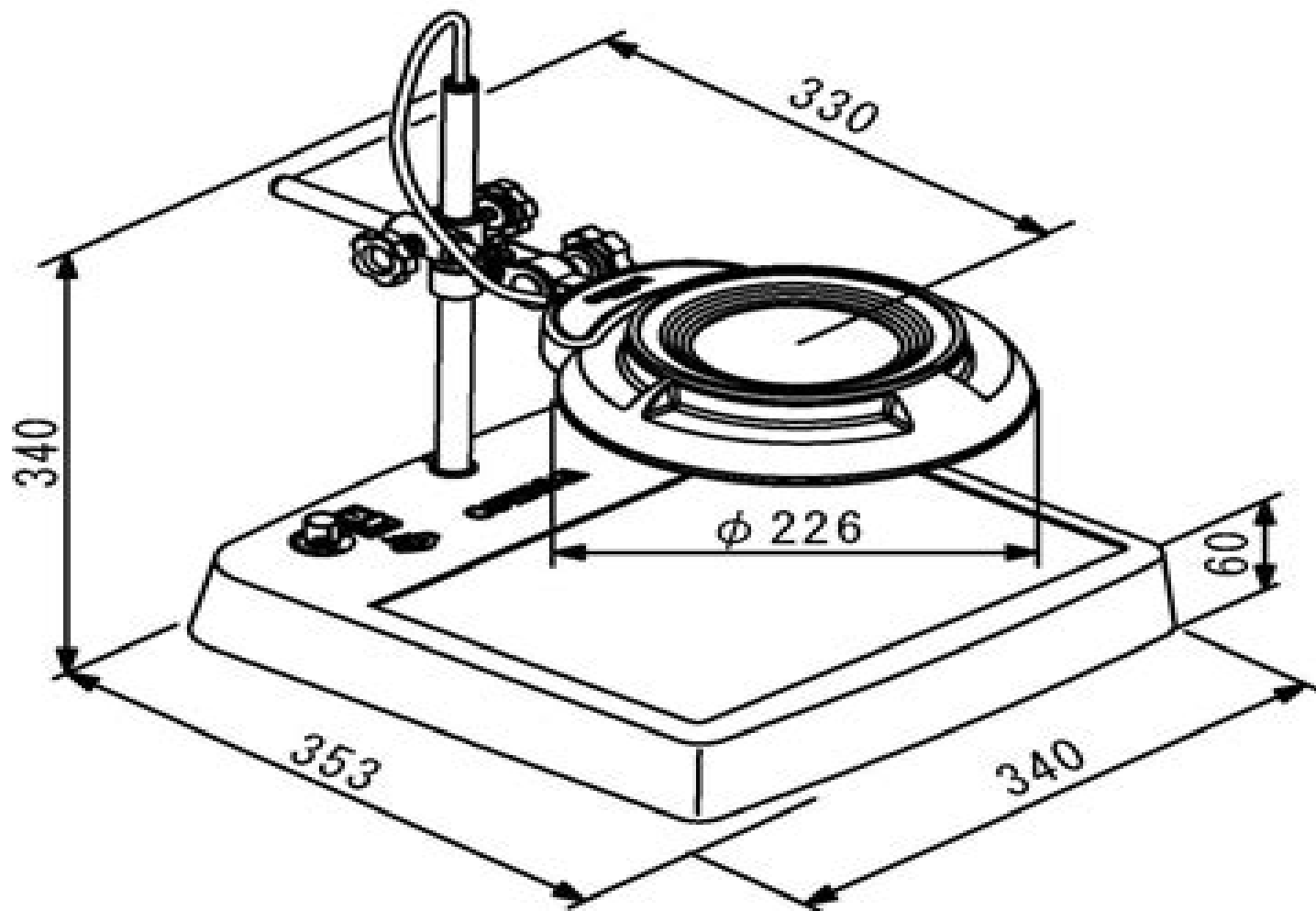


■ 概略寸法  
ENVL-CL



# Recpk 100f15 Individ Rep Envl

**VM Jensen**



**Recpk 100f15 Individ Rep Envl:**

This is likewise one of the factors by obtaining the soft documents of this **Recpk 100f15 Individ Rep Envl** by online. You might not require more times to spend to go to the book establishment as without difficulty as search for them. In some cases, you likewise pull off not discover the message Recpk 100f15 Individ Rep Envl that you are looking for. It will utterly squander the time.

However below, with you visit this web page, it will be as a result enormously simple to acquire as capably as download lead Recpk 100f15 Individ Rep Envl

It will not acknowledge many grow old as we explain before. You can do it though action something else at home and even in your workplace. therefore easy! So, are you question? Just exercise just what we manage to pay for under as without difficulty as review **Recpk 100f15 Individ Rep Envl** what you taking into account to read!

<https://www.staging.gilderlehrman.org/results/scholarship/fetch.php/How%20To%20Use%20AI%20For%20Ecommerce%20Store%20For%20Small%20Business%20Owners%20BATCH86%201841.pdf>

## **Table of Contents Recpk 100f15 Individ Rep Envl**

1. Understanding the eBook Recpk 100f15 Individ Rep Envl
  - The Rise of Digital Reading Recpk 100f15 Individ Rep Envl
  - Advantages of eBooks Over Traditional Books
2. Identifying Recpk 100f15 Individ Rep Envl
  - Exploring Different Genres
  - Considering Fiction vs. Non-Fiction
  - Determining Your Reading Goals
3. Choosing the Right eBook Platform
  - Popular eBook Platforms
  - Features to Look for in an Recpk 100f15 Individ Rep Envl
  - User-Friendly Interface

4. Exploring eBook Recommendations from Recpk 100f15 Individ Rep Envl
  - Personalized Recommendations
  - Recpk 100f15 Individ Rep Envl User Reviews and Ratings
  - Recpk 100f15 Individ Rep Envl and Bestseller Lists
5. Accessing Recpk 100f15 Individ Rep Envl Free and Paid eBooks
  - Recpk 100f15 Individ Rep Envl Public Domain eBooks
  - Recpk 100f15 Individ Rep Envl eBook Subscription Services
  - Recpk 100f15 Individ Rep Envl Budget-Friendly Options
6. Navigating Recpk 100f15 Individ Rep Envl eBook Formats
  - ePub, PDF, MOBI, and More
  - Recpk 100f15 Individ Rep Envl Compatibility with Devices
  - Recpk 100f15 Individ Rep Envl Enhanced eBook Features
7. Enhancing Your Reading Experience
  - Adjustable Fonts and Text Sizes of Recpk 100f15 Individ Rep Envl
  - Highlighting and Note-Taking Recpk 100f15 Individ Rep Envl
  - Interactive Elements Recpk 100f15 Individ Rep Envl
8. Staying Engaged with Recpk 100f15 Individ Rep Envl
  - Joining Online Reading Communities
  - Participating in Virtual Book Clubs
  - Following Authors and Publishers Recpk 100f15 Individ Rep Envl
9. Balancing eBooks and Physical Books Recpk 100f15 Individ Rep Envl
  - Benefits of a Digital Library
  - Creating a Diverse Reading Collection Recpk 100f15 Individ Rep Envl
10. Overcoming Reading Challenges
  - Dealing with Digital Eye Strain
  - Minimizing Distractions
  - Managing Screen Time
11. Cultivating a Reading Routine Recpk 100f15 Individ Rep Envl
  - Setting Reading Goals Recpk 100f15 Individ Rep Envl
  - Carving Out Dedicated Reading Time

12. Sourcing Reliable Information of Recpk 100f15 Individ Rep Envl
  - Fact-Checking eBook Content of Recpk 100f15 Individ Rep Envl
  - Distinguishing Credible Sources
13. Promoting Lifelong Learning
  - Utilizing eBooks for Skill Development
  - Exploring Educational eBooks
14. Embracing eBook Trends
  - Integration of Multimedia Elements
  - Interactive and Gamified eBooks

### **Recpk 100f15 Individ Rep Envl Introduction**

Free PDF Books and Manuals for Download: Unlocking Knowledge at Your Fingertips In todays fast-paced digital age, obtaining valuable knowledge has become easier than ever. Thanks to the internet, a vast array of books and manuals are now available for free download in PDF format. Whether you are a student, professional, or simply an avid reader, this treasure trove of downloadable resources offers a wealth of information, conveniently accessible anytime, anywhere. The advent of online libraries and platforms dedicated to sharing knowledge has revolutionized the way we consume information. No longer confined to physical libraries or bookstores, readers can now access an extensive collection of digital books and manuals with just a few clicks. These resources, available in PDF, Microsoft Word, and PowerPoint formats, cater to a wide range of interests, including literature, technology, science, history, and much more. One notable platform where you can explore and download free Recpk 100f15 Individ Rep Envl PDF books and manuals is the internets largest free library. Hosted online, this catalog compiles a vast assortment of documents, making it a veritable goldmine of knowledge. With its easy-to-use website interface and customizable PDF generator, this platform offers a user-friendly experience, allowing individuals to effortlessly navigate and access the information they seek. The availability of free PDF books and manuals on this platform demonstrates its commitment to democratizing education and empowering individuals with the tools needed to succeed in their chosen fields. It allows anyone, regardless of their background or financial limitations, to expand their horizons and gain insights from experts in various disciplines. One of the most significant advantages of downloading PDF books and manuals lies in their portability. Unlike physical copies, digital books can be stored and carried on a single device, such as a tablet or smartphone, saving valuable space and weight. This convenience makes it possible for readers to have their entire library at their fingertips, whether they are commuting, traveling, or simply enjoying a lazy afternoon at home. Additionally, digital files are easily searchable, enabling readers to locate specific information within seconds. With a few

keystrokes, users can search for keywords, topics, or phrases, making research and finding relevant information a breeze. This efficiency saves time and effort, streamlining the learning process and allowing individuals to focus on extracting the information they need. Furthermore, the availability of free PDF books and manuals fosters a culture of continuous learning. By removing financial barriers, more people can access educational resources and pursue lifelong learning, contributing to personal growth and professional development. This democratization of knowledge promotes intellectual curiosity and empowers individuals to become lifelong learners, promoting progress and innovation in various fields. It is worth noting that while accessing free Recpk 100f15 Individ Rep Envl PDF books and manuals is convenient and cost-effective, it is vital to respect copyright laws and intellectual property rights. Platforms offering free downloads often operate within legal boundaries, ensuring that the materials they provide are either in the public domain or authorized for distribution. By adhering to copyright laws, users can enjoy the benefits of free access to knowledge while supporting the authors and publishers who make these resources available. In conclusion, the availability of Recpk 100f15 Individ Rep Envl free PDF books and manuals for download has revolutionized the way we access and consume knowledge. With just a few clicks, individuals can explore a vast collection of resources across different disciplines, all free of charge. This accessibility empowers individuals to become lifelong learners, contributing to personal growth, professional development, and the advancement of society as a whole. So why not unlock a world of knowledge today? Start exploring the vast sea of free PDF books and manuals waiting to be discovered right at your fingertips.

### **FAQs About Recpk 100f15 Individ Rep Envl Books**

1. Where can I buy Recpk 100f15 Individ Rep Envl books? Bookstores: Physical bookstores like Barnes & Noble, Waterstones, and independent local stores. Online Retailers: Amazon, Book Depository, and various online bookstores offer a wide range of books in physical and digital formats.
2. What are the different book formats available? Hardcover: Sturdy and durable, usually more expensive. Paperback: Cheaper, lighter, and more portable than hardcovers. E-books: Digital books available for e-readers like Kindle or software like Apple Books, Kindle, and Google Play Books.
3. How do I choose a Recpk 100f15 Individ Rep Envl book to read? Genres: Consider the genre you enjoy (fiction, non-fiction, mystery, sci-fi, etc.). Recommendations: Ask friends, join book clubs, or explore online reviews and recommendations. Author: If you like a particular author, you might enjoy more of their work.
4. How do I take care of Recpk 100f15 Individ Rep Envl books? Storage: Keep them away from direct sunlight and in a dry

- environment. Handling: Avoid folding pages, use bookmarks, and handle them with clean hands. Cleaning: Gently dust the covers and pages occasionally.
5. Can I borrow books without buying them? Public Libraries: Local libraries offer a wide range of books for borrowing. Book Swaps: Community book exchanges or online platforms where people exchange books.
  6. How can I track my reading progress or manage my book collection? Book Tracking Apps: Goodreads, LibraryThing, and Book Catalogue are popular apps for tracking your reading progress and managing book collections. Spreadsheets: You can create your own spreadsheet to track books read, ratings, and other details.
  7. What are Recpk 100f15 Individ Rep Envl audiobooks, and where can I find them? Audiobooks: Audio recordings of books, perfect for listening while commuting or multitasking. Platforms: Audible, LibriVox, and Google Play Books offer a wide selection of audiobooks.
  8. How do I support authors or the book industry? Buy Books: Purchase books from authors or independent bookstores. Reviews: Leave reviews on platforms like Goodreads or Amazon. Promotion: Share your favorite books on social media or recommend them to friends.
  9. Are there book clubs or reading communities I can join? Local Clubs: Check for local book clubs in libraries or community centers. Online Communities: Platforms like Goodreads have virtual book clubs and discussion groups.
  10. Can I read Recpk 100f15 Individ Rep Envl books for free? Public Domain Books: Many classic books are available for free as they're in the public domain. Free E-books: Some websites offer free e-books legally, like Project Gutenberg or Open Library.

### **Find Recpk 100f15 Individ Rep Envl :**

*how to use AI for ecommerce store for small business owners BATCH86-1841*

*free way to create digital products with AI with free tools BATCH86-1971*

*free way to build AI automation agency for small business owners BATCH86-739*

*affordable way to use AI for lead generation step by step BATCH86-1071*

*without experience how to create marketing funnel with AI organically BATCH86-2364*

*proven strategy to use AI for Instagram marketing for beginners BATCH86-1949*

***complete beginner guide to start AI side hustle with free tools BATCH86-1052***

*best way to use AI for blogging step by step BATCH86-1704*

*without experience how to use AI for Instagram marketing in the United States BATCH86-1541*



*without experience how to make money with AI tools for beginners BATCH86-2450*

*step by step guide to launch AI agency in 2026 BATCH86-1354*

*without experience how to build AI automation agency in 2026 BATCH86-1572*

**easy method to automate business with AI for beginners BATCH86-444**

*how to use AI for local SEO with free tools BATCH86-849*

**how to start AI consulting business for small business owners BATCH86-448**

### **Recpk 100f15 Individ Rep Envl :**

Kenmore Service Manual | Get the Immediate PDF ... Kenmore Service Manual for ANY Kenmore model. We offer PDF and Booklet service and repair manuals for all brands and models. Download Support Manuals Download Use & Care Guides. All the information you need to operate and maintain your Kenmore Floorcare product—downloadable for your convenience. To find the ... I am looking for a service manual for a Kenmore Elite Aug 16, 2022 — I am looking for a service manual for a Kenmore Elite 795.74025.411. Contractor's Assistant: Do you know the model of your Kenmore ... Kenmore 158.1781 158.1782 Service Manual Kenmore 158.1781 158.1782 service and repair manual. 18 pages. PDF download We also have a printing service. The printed and bound manual is available with ... Kenmore Elite 66513633100 trash compactor manual Download the manual for model Kenmore Elite 66513633100 trash compactor. Sears Parts Direct has parts, manuals & part diagrams for all types of repair ... I am trying to locate a service manual for the Kalmar AC Aug 18, 2022 — I am trying to locate a service manual for the Kalmar AC ET30 EV PNF. Are you able to help me? Serial number 009763A. I - Answered by a ... Kenmore Air: Land & Seaplane Flights | Tours & Charters Kenmore Air flies from Seattle to destinations throughout the San Juan Islands, Victoria & BC. Book flights, scenic tours and charters. Does anyone have a digital copy of the Singer Service ... Does anyone have a digital copy of the Singer Service Manual for a model 237? ... Does anyone know how to find the owners manual for a Kenmore ... Stryker Transport 5050 Stretcher chair Service Manual | PDF Home; All Categories; General · Beds/Stretches/Mattresses · Stretcher · Stryker - Transport · Documents; 5050 Stretcher chair Service Manual ... The Circus of Dr. Lao The novel is set in the fictional town of Abalone, Arizona. A circus owned by a Chinese man named Dr. Lao pulls into town one day, carrying legendary creatures ... The Circus of Dr. Lao by Charles G. Finney The circus unfolds, spinning magical, dark strands that ensnare the town's the sea serpent's tale shatters love's illusions; the fortune-teller's shocking ... The Circus of Dr. Lao Charles Finney's short novel has a picaresque feel to it. The circus owned and run by Dr Lao is full of the strangest creatures you'll ever meet, some (many) ... 7 Faces of Dr. Lao (1964) A mysterious circus comes to a western town bearing wonders and characters that entertain the inhabitants and teach valuable lessons. The Circus of Dr. Lao The circus unfolds, spinning magical, dark strands that ensnare the town's populace: the sea serpent's tale shatters

love's illusions; the fortune-teller's ... The circus of Dr. Lao "Planned by Claire Van Vliet at the Janus Press"--Colophon. Limited ed. of 2000 copies, signed by the designer/illustrator. Newman & Wiche. the circus of doctor lao V617 Circus of Dr. Lao by Finney, Charles G. and a great selection of related books, art and collectibles available now at AbeBooks.com. The Circus of Dr. Lao and Other Improbable Stories The Circus of Dr. Lao and Other Improbable Stories was an anthology of fantasy stories edited by Ray Bradbury and published in 1956. Many of the stories had ... Literature / The Circus of Doctor Lao Circus of Magic: A circus owned by a Chinese man named Dr. Lao pulls into town one day, carrying legendary creatures from all areas of mythology and legend, ... New Link for 2004 Shadow VT750 Aero Repair Manual Mar 29, 2021 — Hi, New member here! Does anyone here has a new download link for one of the repair manuals for a 2004 Honda Shadow VT750 Aero Model? 2004\_VT1100C2.pdf Honda Motorcycle Winter Storage. Guide,. If you won't be riding for an ... Common Service Manual. 2004 VT1100C2 Owner's Manual. Publication Item No. Description. Manuals Here you will find manuals for various models of the Honda Shadow VT750 motorcycles. Here you will find links to access the service manual for the Honda ... HONDA VT750C OWNER'S MANUAL Pdf Download View and Download Honda VT750C owner's manual online. VT750C motorcycle pdf manual download. HONDA VT1100C2 OWNER'S MANUAL Pdf Download View and Download Honda VT1100C2 owner's manual online. HONDA. VT1100C2 motorcycle pdf manual download. 2004 Honda VT750C4 Owner's Manual PDF (130 Pages) Sep 25, 2015 — Download the 2004 Honda VT750C4 Owner's Manual PDF for free. Explore the manual online, or choose to print or download it on your computer. 2005\_vt750c.pdf -- how to use this motorcycle correctly and safely. This entire manual is filled with important safety information -- please read it carefully. 04/03/18 14:23 ... Honda service manuals for download, free! Honda motorcycle workshop service manuals to download for free ... Honda CRF80F CRF100F (2004-2013) Service Manual · Honda GL1800 Service Manual ... Service Manuals - vt600vix.com vt600vix.com viewable and downloadable PDF Factory Service and Owners Manuals for Honda Shadow VT 600 C / CD VLX motorcycles. Honda Shadow VT1100 Service Manual | 1997-2004 Find many great new & used options and get the best deals for Honda Shadow VT1100 Service Manual | 1997-2004 | DOWNLOAD at the best online prices at eBay!