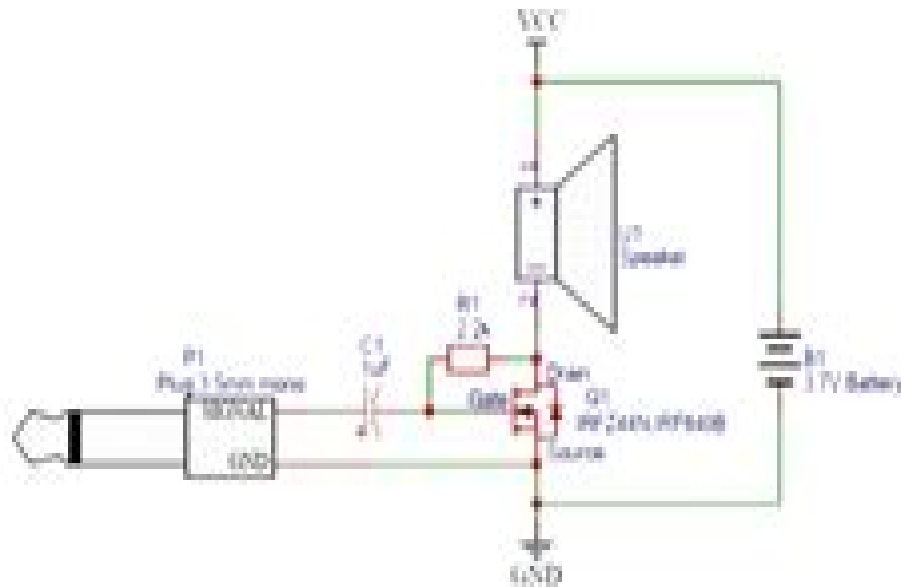


Simple Audio Amplifier



Simple Basic

G Thomas



Simple Basic:

Thank you unquestionably much for downloading **Simple Basic**. Maybe you have knowledge that, people have look numerous time for their favorite books past this Simple Basic, but stop going on in harmful downloads.

Rather than enjoying a good PDF as soon as a cup of coffee in the afternoon, instead they juggled like some harmful virus inside their computer. **Simple Basic** is welcoming in our digital library an online admission to it is set as public appropriately you can download it instantly. Our digital library saves in complex countries, allowing you to get the most less latency time to download any of our books subsequently this one. Merely said, the Simple Basic is universally compatible afterward any devices to read.

https://www.staging.gilderlehrman.org/data/scholarship/HomePages/complete_beginner_guide_to_create_faceless_youtube_channel_with_ai_for_small_business_owners_batch90_1971.pdf

Table of Contents Simple Basic

1. Understanding the eBook Simple Basic
 - The Rise of Digital Reading Simple Basic
 - Advantages of eBooks Over Traditional Books
2. Identifying Simple Basic
 - Exploring Different Genres
 - Considering Fiction vs. Non-Fiction
 - Determining Your Reading Goals
3. Choosing the Right eBook Platform
 - Popular eBook Platforms
 - Features to Look for in an Simple Basic
 - User-Friendly Interface
4. Exploring eBook Recommendations from Simple Basic
 - Personalized Recommendations
 - Simple Basic User Reviews and Ratings

-
- Simple Basic and Bestseller Lists
5. Accessing Simple Basic Free and Paid eBooks
 - Simple Basic Public Domain eBooks
 - Simple Basic eBook Subscription Services
 - Simple Basic Budget-Friendly Options
 6. Navigating Simple Basic eBook Formats
 - ePub, PDF, MOBI, and More
 - Simple Basic Compatibility with Devices
 - Simple Basic Enhanced eBook Features
 7. Enhancing Your Reading Experience
 - Adjustable Fonts and Text Sizes of Simple Basic
 - Highlighting and Note-Taking Simple Basic
 - Interactive Elements Simple Basic
 8. Staying Engaged with Simple Basic
 - Joining Online Reading Communities
 - Participating in Virtual Book Clubs
 - Following Authors and Publishers Simple Basic
 9. Balancing eBooks and Physical Books Simple Basic
 - Benefits of a Digital Library
 - Creating a Diverse Reading Collection Simple Basic
 10. Overcoming Reading Challenges
 - Dealing with Digital Eye Strain
 - Minimizing Distractions
 - Managing Screen Time
 11. Cultivating a Reading Routine Simple Basic
 - Setting Reading Goals Simple Basic
 - Carving Out Dedicated Reading Time
 12. Sourcing Reliable Information of Simple Basic
 - Fact-Checking eBook Content of Simple Basic
 - Distinguishing Credible Sources

-
13. Promoting Lifelong Learning
 - Utilizing eBooks for Skill Development
 - Exploring Educational eBooks
 14. Embracing eBook Trends
 - Integration of Multimedia Elements
 - Interactive and Gamified eBooks

Simple Basic Introduction

In the digital age, access to information has become easier than ever before. The ability to download Simple Basic has revolutionized the way we consume written content. Whether you are a student looking for course material, an avid reader searching for your next favorite book, or a professional seeking research papers, the option to download Simple Basic has opened up a world of possibilities. Downloading Simple Basic provides numerous advantages over physical copies of books and documents. Firstly, it is incredibly convenient. Gone are the days of carrying around heavy textbooks or bulky folders filled with papers. With the click of a button, you can gain immediate access to valuable resources on any device. This convenience allows for efficient studying, researching, and reading on the go. Moreover, the cost-effective nature of downloading Simple Basic has democratized knowledge. Traditional books and academic journals can be expensive, making it difficult for individuals with limited financial resources to access information. By offering free PDF downloads, publishers and authors are enabling a wider audience to benefit from their work. This inclusivity promotes equal opportunities for learning and personal growth. There are numerous websites and platforms where individuals can download Simple Basic. These websites range from academic databases offering research papers and journals to online libraries with an expansive collection of books from various genres. Many authors and publishers also upload their work to specific websites, granting readers access to their content without any charge. These platforms not only provide access to existing literature but also serve as an excellent platform for undiscovered authors to share their work with the world. However, it is essential to be cautious while downloading Simple Basic. Some websites may offer pirated or illegally obtained copies of copyrighted material. Engaging in such activities not only violates copyright laws but also undermines the efforts of authors, publishers, and researchers. To ensure ethical downloading, it is advisable to utilize reputable websites that prioritize the legal distribution of content. When downloading Simple Basic, users should also consider the potential security risks associated with online platforms. Malicious actors may exploit vulnerabilities in unprotected websites to distribute malware or steal personal information. To protect themselves, individuals should ensure their devices have reliable antivirus software installed and validate the legitimacy of the websites they are downloading from. In conclusion, the ability to download Simple Basic

has transformed the way we access information. With the convenience, cost-effectiveness, and accessibility it offers, free PDF downloads have become a popular choice for students, researchers, and book lovers worldwide. However, it is crucial to engage in ethical downloading practices and prioritize personal security when utilizing online platforms. By doing so, individuals can make the most of the vast array of free PDF resources available and embark on a journey of continuous learning and intellectual growth.

FAQs About Simple Basic Books

How do I know which eBook platform is the best for me? Finding the best eBook platform depends on your reading preferences and device compatibility. Research different platforms, read user reviews, and explore their features before making a choice. Are free eBooks of good quality? Yes, many reputable platforms offer high-quality free eBooks, including classics and public domain works. However, make sure to verify the source to ensure the eBook credibility. Can I read eBooks without an eReader? Absolutely! Most eBook platforms offer web-based readers or mobile apps that allow you to read eBooks on your computer, tablet, or smartphone. How do I avoid digital eye strain while reading eBooks? To prevent digital eye strain, take regular breaks, adjust the font size and background color, and ensure proper lighting while reading eBooks. What the advantage of interactive eBooks? Interactive eBooks incorporate multimedia elements, quizzes, and activities, enhancing the reader engagement and providing a more immersive learning experience. Simple Basic is one of the best book in our library for free trial. We provide copy of Simple Basic in digital format, so the resources that you find are reliable. There are also many Ebooks of related with Simple Basic. Where to download Simple Basic online for free? Are you looking for Simple Basic PDF? This is definitely going to save you time and cash in something you should think about.

Find Simple Basic :

complete beginner guide to create faceless YouTube channel with AI for small business owners BATCH90-1971

step by step guide to create AI chatbot for business for small business owners BATCH90-1360

step by step guide to use AI for blogging for content creators BATCH90-598

low budget way to create online course using AI for beginners BATCH90-1963

complete beginner guide to automate dropshipping with AI in 2026 BATCH90-1705

affordable way to create digital products with AI that actually works BATCH90-1325

easy method to create faceless YouTube channel with AI with free tools BATCH90-879

without experience how to use AI for lead generation with free tools BATCH90-2097

complete beginner guide to rank website using AI SEO tools for beginners BATCH90-1945

best way to use AI for ecommerce store without paid ads BATCH90-674

free way to rank website using AI SEO tools in 2026 BATCH90-1821

free way to offer AI services to clients step by step BATCH90-1473

without experience how to use AI for Instagram marketing organically BATCH90-1316

low budget way to generate leads using AI step by step BATCH90-2170

without experience how to create AI chatbot for business for beginners BATCH90-534

Simple Basic :

read free lpg spheres in refinery cyberlab sutd edu sg - Feb 12 2023

web the fact that lpg can be liquefied at relatively low pressure facilitates the storage of large amounts using in general spherical tanks known simply as spheres in a typical refinery the catalytic cracking process is the principle method of producing lpg with smaller amounts being produced by the crude distillation column delayed coking

liquefied petroleum gas an overview sciencedirect topics - Nov 09 2022

web mar 11 2011 a major earthquake 9 on the richter scale hits eastern japan at 14 46 a leak on a lpg pipe is detected at 15 h 35 in a refinery located within a large petrochemical complex in the bay of tokyo at 15 h 48 the leak ignites and spreads to the adjacent spherical tanks stocking liquefied butane and butylene

spherical tanks and liquefied petroleum gas lpg - Jan 11 2023

web 2 lpg sphere maintenance done to keep lpg sphere equipment machines and the work environment safe and reliable if there is no maintenance or inadequate maintenance leads to accident or hazards situation maintenance is the process in which administrative technical steps are taken to make the lpg sphere perform as its best

liquefied petroleum gas wikipedia - Jun 16 2023

web lpg spheres in refinery guidelines for siting and layout of facilities dec 12 2021 this book has been written to address many of the developments since the 1st edition which have improved how companies survey and select new sites evaluate acquisitions or expand their existing facilities this book updates the

lpg spheres in refinery orientation sutd edu sg - May 03 2022

web at a refinery lpg january lpg sphere water 3 25 rhur impacthub net draw off drain refining hydrocarbons production amp distribution wlpga spheres paresa spa oilfield oil gas trasport pipeline refinery gifts awards amsterdam netherlands zenith energy management october 9th 2018 over 1 000 000 cbm of clean products

[lpg sphere maintenance pdf slideshare](#) - Sep 07 2022

web lpg spheres in refinery bleve lpg sphères china october 7th 2018 this feature is not available right now please try again later hydrogen sulfide removal from refinery gas streams october 14th 2018 hydrogen sulfide h₂s molecule chemical structure atoms are represented as spheres with conventional

[pdf study of internal pressure impact on sphere](#) - May 15 2023

web jan 9 2016 lpg is stored at ambient conditions in spheres or bullets or as a refrigerated liquid in cylinders at ambient conditions 52c for the gulf propane has a vapour pressure of 17.5 barg butane 5 barg to store these fluids needs a pressure vessel and a sphere is the most efficient

[lpg mckinsey energy insights](#) - Apr 14 2023

web the largest benefit with regards to the sphere is their ability to store very large amounts of lpg in proportionally small areas this ability arises because an lpg sphere has a very large volume to surface area ratio furthermore the required wall thickness of an lpg sphere of the same diameter as that of a bullet is much less

[design of bulk lpg storage facilities epcm holdings](#) - Dec 10 2022

web we manufacture lpg spherical storage tanks horton spheres of diameter ranging from 10000 mm to 22000 mm thickness upto 72mm as well as refrigerated spheres for butadiene ammonia storage the spheres are designed as per asme sec viii div 1 div 2 and bs 5500 codes

[lpg sphere lpg spherical storage tank manufacturer supplier](#) - Jun 04 2022

web lpg spheres in refinery industrial hazards and plant safety may 27 2022 here is a new and analytical approach to chemical plant safety encompassing design construction and operation to reduce the likelihood of hazardous incidents as well as actions to mitigate their consequences should they still occur

[liquid petroleum gas lpg sphere globe gas](#) - Aug 06 2022

web nov 11 2023 1.45 billionaire aliko dangote africa s richest person said his refinery has secured a license to refine more than 300 000 barrels of nigerian crude per day and will begin to process gasoline

[lpg spheres in refinery rhur impacthub net](#) - Dec 30 2021

[pre fire plan and emergency response for lpg sphere](#) - Sep 19 2023

web nov 9 2023 lpg spheres depressurization fire protection posted in refining hydrocarbons oil and gas the reader had better know that threads reported below contain also information on lpg sphere depressurization and fire protection which is not apparent from their titles cheresour pcv on spheres pcv on spheres

[liquefied petroleum gas an overview sciencedirect topics](#) - Oct 08 2022

web lpg sphere we manufacture spherical storage tanks horton spheres of diameter ranging from 10000 mm to 22000 mm thickness upto 72mm as well as refrigerated spheres for butadiene ammonia storage the spheres are designed as per asme sec viii div 1 div 2 and bs 5500 codes we have executed storage facility including

lpg storage bullet tanks vs lpg storage spheres - Aug 18 2023

liquefied petroleum gas lpg or lp gas is a fuel gas which contains a flammable mixture of hydrocarbon gases specifically propane propylene butylene isobutane and n butane lpg is used as a fuel gas in heating appliances cooking equipment and vehicles it is increasingly used as an aerosol propellant and a refrigerant repla

free lpg spheres in refinery cyberlab sutd edu sg - Jan 31 2022

lpg spheres depressurization fire protection refining - Jul 17 2023

web lpg lpg refers to the lightest lowest density liquid fuels produced by a refinery primarily c3s propane and some c4s butane as a product it typically refers to commercial propane which is primarily propane with a small amount of butane

lpg storage spheres bullets petroleum refining - Oct 20 2023

web jan 29 2007 lpg is a term that can refer to a range of products or a mixture of products you tend to hear references to butane spheres and propane bullets in a refinery setting but the product stored in the bullets is most likely a finished lpg mixture suitable for sale

pdf study of vapour cloud explosion impact from - Mar 13 2023

web lpg generated within the refinery may either be output or directed to a metal promoted h zsm 5 based reactor cyclar process that converts the low value product into aromatics meyers 2004 the cyclar process utilizes a ga h zsm 5 catalyst and additionally produces a valuable co product hydrogen

lpg spheres cheap lpg spheres exporter manufacturer lpg - Mar 01 2022

giant dangote refinery secures permit to process nigerian oil - Apr 02 2022

bleve of lpg spheres in a refinery following an earthquake la - Jul 05 2022

web we are exporter and manufacturer of lpg sphere lpg spherical tanks at cheap cost lpg sphere volumes range from 500 m3 to 8500 m3 are suitable for butane propane as well as butane propane mixtures i e lpg the lpg spherical tanks are designed as per asme sec viii div 1 asme sec viii div 2 and bs 5500 codap 2000 as 1210 and

cahier grands parents enfants papi mamie et moi - Apr 26 2023

web cahier de jeux pour apprendre des choses avec les grand parents voici un livre pour explorer ce lien unique complice

ludique tendre structurant qui souvent unit un enfant

[papi mamie et moi livre à remplir ensemble comme des](#) - Aug 19 2022

web papi mamie et moi cahier grand parent enfant on apprend des choses avec les grand parents voici un livre

livre à remplir entre grand parent et enfant papi - Dec 23 2022

web papi mamie et moi cahier grand parent enfant minus éditions un livre à compléter avec ses grands parents pour se souvenir une fois plus grand et ne rien oublier de ce

[papi mamie et moi un cahier d activité avec ses grands parents](#) - Feb 22 2023

web retrouvez sur smallable minus editions cahier grand parent enfant papi mamie et moi label greenable soldes jusqu'à 50 sur les collections

cahier grand parent enfant papi mamie et moi minus - Jul 18 2022

web dec 14 2022 à partir de 7 ans et jusqu'à 14 ans et plus 1 l album des grands parents un livre à remplir par les grands parents pour raconter leur aventure avec leurs petits

minus éditions cahier grand parent enfant papi mamie et moi - Nov 21 2022

web cahier grand parent enfant on apprend des choses avec les grand parents voici un livre pour explorer ce lien unique complice ludique tendre structurant qui souvent unit

papi mamie et moi cahier grand parent enfant - Aug 31 2023

web papi mamie et moi ce cahier à remplir permettra à l'enfant et à ses grands parents d'échanger de façon ludique autour du passé des uns et du futur de l'enfant une idée

papi mamie et moi cahier grand parent enfant label emmaüs - May 16 2022

web à la suite de ce travail nous avons eu l'idée de créer un cahier à destination des grands parents et de leurs petits enfants l'objectif était de créer un outil d'échange et de

cahier grand parent enfant papi mamie et moi minus éditions - Jun 16 2022

web papi mamie et moi cahier grands parents enfants histoires de fantômes nov 23 2019 cet ouvrage propose une lecture de textes contemporains qui traitent du fantomatique

[papi mamie et moi cahier grands parents enfants](#) - Nov 09 2021

papi mamie et moi collectif livres pour enfants dès 3 ans - Mar 26 2023

web on apprend des choses avec les grand parents voici un livre pour explorer ce lien unique complice ludique tendre structurant qui souvent unit un enfant à son super

papy mamie raconte moi tes souvenirs l'auteure - Feb 10 2022

web naissance son enfance sa vie d adulte sa rencontre avec mamie ses enfants et petits enfants connaître mieux son grand père enrichir sa relation avec son papy et

[papi mamie et moi cahier grand parent enfant minus éditions](#) - Sep 19 2022

web un joli souvenir pour quand on sera grand cahier de 60 pages créé par minus editions 100 fabriqué en france

caractéristiques du cahier petit enfant grand parent titre du

[*papi mamie et moi cahier grand parent enfant lachouette mauve*](#) - Jul 30 2023

web oct 15 2013 papi mamie et moi cahier grand parent enfant cahier grands parents enfants minus 0 00 0 ratings0 reviews on en apprend des

[*papi mamie et moi cahier grands parents enfants book*](#) - Mar 14 2022

web perspicacity of this papi mamie et moi cahier grands parents enfants can be taken as without difficulty as picked to act

mamie adorée dis nous tout sur toi carole l

[papi mamie et moi cahier grands parents enfants collins](#) - Dec 11 2021

[*annonce grossesse papi mamie ou activité grands parents enfants*](#) - Jan 12 2022

[cahier papi mamie et moi little marmaille](#) - Oct 21 2022

web description de cahier grand parent enfant papi mamie et moi minus editions ce cahier est une invitation à partager un moment privilégié entre un petit enfant et un de

[papi mamie et moi cahier grands parents enfants librairie](#) - Jan 24 2023

web cahier grand parent enfant papi mamie et moi on en apprend des choses avec les grand parents voici un livre minus pour explorer ce lien unique complice ludique

papi mamie et moi cahier grand parent enfant - Jun 28 2023

web voici un livre souvenir à remplir avec son super papy et sa mamie chérie pour inscrire tous les bons moments que l on construit avec ses grands parents et s en souvenir même

papi mamie et moi cahier grand parent enfant amazon fr - Oct 01 2023

web noté 5 retrouvez papi mamie et moi cahier grand parent enfant et des millions de livres en stock sur amazon fr achetez neuf ou d occasion

cahier grand parent enfant papi mamie et moi - May 28 2023

web papi mamie et moi par collectif aux éditions minus voici un cahier interactif pour nourrir ce lien si particulier qui uni les grands parents et leur petits enfants les plus un

[9 livres enfant à compléter l album de mes grands parents](#) - Apr 14 2022

web papi mamie et moi 11 90 ttc en partenariat avec les éditions minus nous vous proposons ce cahier pour noter les plus beaux souvenirs de ce lien unique qui unit les

free pdf toyota echo 1999 2005 repair manual 1999 2000 - May 11 2023

web toyota echo workshop repair and owners manuals for all years and models free pdf download for thousands of cars and trucks

[toyota echo 2000 2002 service manual pdf](#) - Jun 12 2023

web dec 11 2022 free download pdf file to fix and repair toyota echo made in 1999 2000 2001 2002 2003 2004 2005 repair manual toyota echo 1999 2005 repair manual

2002 toyota echo owners manual pdf free workshop manuals - Mar 29 2022

web no need to hunt down a separate toyota repair manual or toyota service manual from warranties on toyota replacement parts to details on features toyota owners

calaméo 2000 2001 2002 toyota echo factory service manual - Aug 02 2022

web this toyota echo 2000 2002 full repair service manual download provides detailed instructions and illustrations to guide you through all repair service and maintenance

toyota echo 2000 2002 service repair manual bitmanual - Feb 25 2022

web view the manual for the toyota echo 2002 here for free this manual comes under the category cars and has been rated by 5 people with an average of a 8 7 this manual is

2000 toyota toyota echo type m pdf pages - Jan 07 2023

web 2000 2002 toyota echo service repair manual has easy to read text sections with top quality diagrams and instructions will guide you through fundamentals of maintaining

[1999 2005 toyota echo repair 1999 2000 2001](#) - Jul 13 2023

web toyota echo service manual 2000 2002 pdf instantly downloads this service manual shows how to repair maintenance and troubleshoot all vehicle parts

toyota echo 2000 2002 service manual repair manual - Sep 03 2022

web sep 2 2020 this manual includes all the service and repair information about 2000 2002 toyota echo everything from wiring to rebuilding the machine as well as electrical

[toyota echo service repair manual wiring diagrams](#) - Oct 04 2022

web this download contains of high quality diagrams and instructions on how to service and repair your 2000 2001 2002 toyota echo from the front bumper to the rear this is a

toyota echo free workshop and repair manuals - Mar 09 2023

web our workshop manual is a fully updated document that will furnish you with the most detailed information about your 2000 toyota toyota echo vehicle regardless of what

2000 2002 toyota echo service repair manual download - Jul 01 2022

web with this toyota echo workshop manual you can perform every job that could be done by toyota garages and mechanics from changing spark plugs brake fluids oil changes

toyota echo 2000 2002 service repair manual rmanuals - Feb 08 2023

web get detailed instructions illustrations wiring schematics diagnostic codes more for your 2002 toyota echo step by step instructions service repair instructions specific to

toyota echo repair service manuals 14 pdf s - Aug 14 2023

web we ve checked the years that the manuals cover and we have toyota echo repair manuals for the following years 1999 1999 2000 2001 2002 2003 2004 and

toyota echo service manuals free download - Apr 10 2023

web this manual includes all the service and repair information about 2000 2002 toyota echo everything from wiring to rebuilding the machine as well as electrical diagrams service

2000 2002 toyota echo factory service repair - Nov 05 2022

web read the publication 2000 2001 2002 toyota echo factory service repair manual instant download cover 2000 2001 2002 toyota echo you are buying a 2000

toyota echo 2000 owner s manual pdf for free - Oct 24 2021

toyota echo 2000 2002 service repair manual eautofsm - May 31 2022

web this handbook additionally makes it simple to diagnose and restore issues along with your machines electrical system troubleshooting and electrical service procedures are mixed

toyota echo 2000 2002 service repair manual ebook4car com - Jan 27 2022

web the owner s manual contains information about the car s features specifications and maintenance requirements it is an indispensable resource for any toyota echo 2000

toyota echo 2000 2002 full repair service manual download - Apr 29 2022

web type pdf size 21 82mb us 9 80 add to cart with this highly detailed 2000 2002 toyota echo repair manual you can do most service and repair at the comfort of your garage

2002 toyota echo repair manual online repairsurge - Dec 06 2022

web apr 20 2020 english service manual repair manual to vehicles toyota echo 2000 2002 servicemanuals info solopdf com
2000 toyota echo manuals warranties toyota owners - Dec 26 2021

user manual toyota echo 2002 english 232 pages - Nov 24 2021