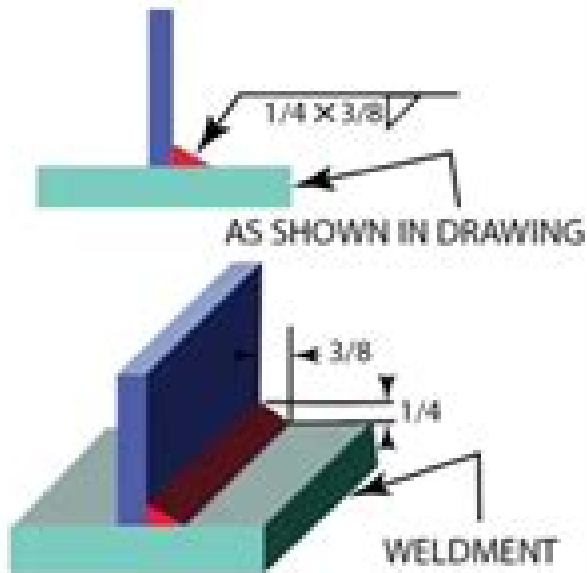
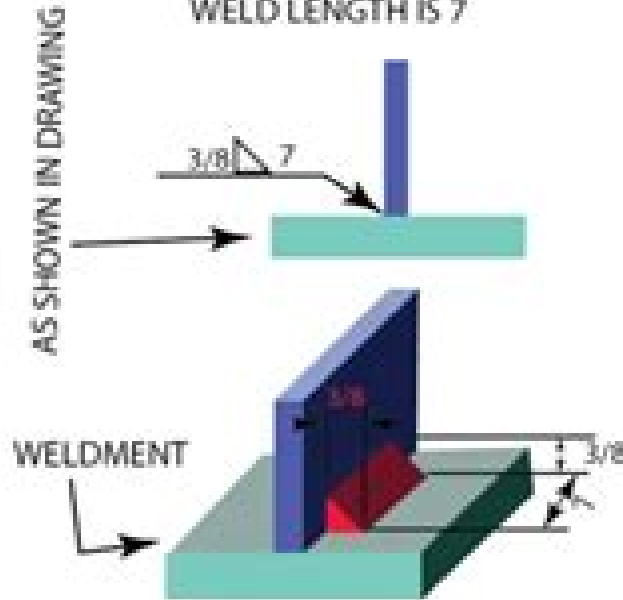


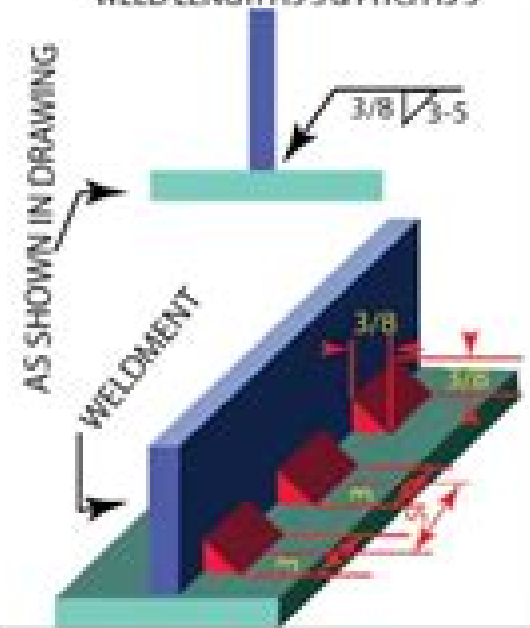
THE WELD IS ON THE ARROW SIDE AND THE UNEQUAL LEG LENGTHS ARE 1/4 AND 3/8 INCH.



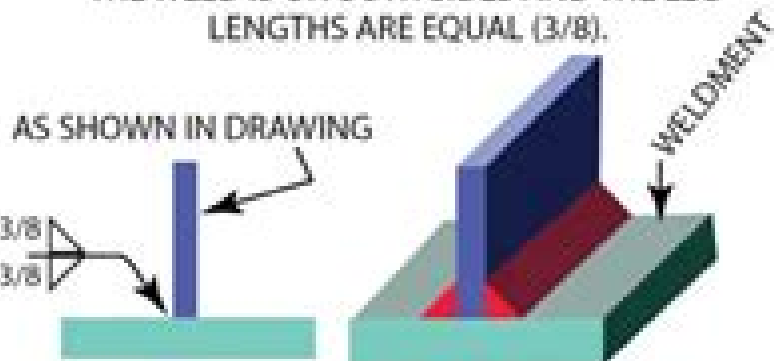
THE WELD IS ON THE OTHER SIDE AND THE LEG LENGTHS ARE EQUAL (3/8). WELD LENGTH IS 7



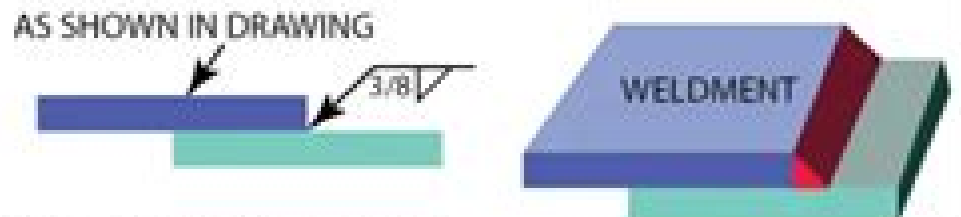
THE WELD IS ON THE ARROW SIDE EQUAL LEG LENGTH IS 3/8. INTERMETENT. WELD LENGTH IS 3 & PITCH IS 5



THE WELD IS ON BOTH SIDES AND THE LEG LENGTHS ARE EQUAL (3/8).



THE WELDING IS ON THE ARROW SIDE AND THE LENGTH OF THE LEGS ARE EQUAL (3/8 INCH)



ALL DIMENSIONS ARE IN INCHES

NOTE: WELD PENETRATION IS NOT SHOWN IN THESE ILLUSTRATIONS (TO KEEP THE ILLUSTRATION SIMPLE)

**FEW FILLET WELDS ALONG WITH WELDING SYMBOL**

# Pf52 Arc Weld Explained Program Activity Sheets Pack Of 3

**Didier Musso**



**Pf52 Arc Weld Explained Program Activity Sheets Pack Of 3:**

Uncover the mysteries within Explore with its enigmatic creation, **Pf52 Arc Weld Explained Program Activity Sheets Pack Of 3** . This downloadable ebook, shrouded in suspense, is available in a PDF format ( Download in PDF: \*). Dive into a world of uncertainty and anticipation. Download now to unravel the secrets hidden within the pages.

[https://www.staging.gilderlehrman.org/results/uploaded-files/default.aspx/Proven\\_Strategy\\_To\\_Launch\\_AI\\_Agency\\_Step\\_By\\_Step\\_BATCH55\\_461.pdf](https://www.staging.gilderlehrman.org/results/uploaded-files/default.aspx/Proven_Strategy_To_Launch_AI_Agency_Step_By_Step_BATCH55_461.pdf)

### **Table of Contents Pf52 Arc Weld Explained Program Activity Sheets Pack Of 3**

1. Understanding the eBook Pf52 Arc Weld Explained Program Activity Sheets Pack Of 3
  - The Rise of Digital Reading Pf52 Arc Weld Explained Program Activity Sheets Pack Of 3
  - Advantages of eBooks Over Traditional Books
2. Identifying Pf52 Arc Weld Explained Program Activity Sheets Pack Of 3
  - Exploring Different Genres
  - Considering Fiction vs. Non-Fiction
  - Determining Your Reading Goals
3. Choosing the Right eBook Platform
  - Popular eBook Platforms
  - Features to Look for in an Pf52 Arc Weld Explained Program Activity Sheets Pack Of 3
  - User-Friendly Interface
4. Exploring eBook Recommendations from Pf52 Arc Weld Explained Program Activity Sheets Pack Of 3
  - Personalized Recommendations
  - Pf52 Arc Weld Explained Program Activity Sheets Pack Of 3 User Reviews and Ratings
  - Pf52 Arc Weld Explained Program Activity Sheets Pack Of 3 and Bestseller Lists
5. Accessing Pf52 Arc Weld Explained Program Activity Sheets Pack Of 3 Free and Paid eBooks
  - Pf52 Arc Weld Explained Program Activity Sheets Pack Of 3 Public Domain eBooks
  - Pf52 Arc Weld Explained Program Activity Sheets Pack Of 3 eBook Subscription Services
  - Pf52 Arc Weld Explained Program Activity Sheets Pack Of 3 Budget-Friendly Options

6. Navigating Pf52 Arc Weld Explained Program Activity Sheets Pack Of 3 eBook Formats
  - ePub, PDF, MOBI, and More
  - Pf52 Arc Weld Explained Program Activity Sheets Pack Of 3 Compatibility with Devices
  - Pf52 Arc Weld Explained Program Activity Sheets Pack Of 3 Enhanced eBook Features
7. Enhancing Your Reading Experience
  - Adjustable Fonts and Text Sizes of Pf52 Arc Weld Explained Program Activity Sheets Pack Of 3
  - Highlighting and Note-Taking Pf52 Arc Weld Explained Program Activity Sheets Pack Of 3
  - Interactive Elements Pf52 Arc Weld Explained Program Activity Sheets Pack Of 3
8. Staying Engaged with Pf52 Arc Weld Explained Program Activity Sheets Pack Of 3
  - Joining Online Reading Communities
  - Participating in Virtual Book Clubs
  - Following Authors and Publishers Pf52 Arc Weld Explained Program Activity Sheets Pack Of 3
9. Balancing eBooks and Physical Books Pf52 Arc Weld Explained Program Activity Sheets Pack Of 3
  - Benefits of a Digital Library
  - Creating a Diverse Reading Collection Pf52 Arc Weld Explained Program Activity Sheets Pack Of 3
10. Overcoming Reading Challenges
  - Dealing with Digital Eye Strain
  - Minimizing Distractions
  - Managing Screen Time
11. Cultivating a Reading Routine Pf52 Arc Weld Explained Program Activity Sheets Pack Of 3
  - Setting Reading Goals Pf52 Arc Weld Explained Program Activity Sheets Pack Of 3
  - Carving Out Dedicated Reading Time
12. Sourcing Reliable Information of Pf52 Arc Weld Explained Program Activity Sheets Pack Of 3
  - Fact-Checking eBook Content of Pf52 Arc Weld Explained Program Activity Sheets Pack Of 3
  - Distinguishing Credible Sources
13. Promoting Lifelong Learning
  - Utilizing eBooks for Skill Development
  - Exploring Educational eBooks
14. Embracing eBook Trends
  - Integration of Multimedia Elements

- Interactive and Gamified eBooks

### **Pf52 Arc Weld Explained Program Activity Sheets Pack Of 3 Introduction**

In this digital age, the convenience of accessing information at our fingertips has become a necessity. Whether its research papers, eBooks, or user manuals, PDF files have become the preferred format for sharing and reading documents. However, the cost associated with purchasing PDF files can sometimes be a barrier for many individuals and organizations. Thankfully, there are numerous websites and platforms that allow users to download free PDF files legally. In this article, we will explore some of the best platforms to download free PDFs. One of the most popular platforms to download free PDF files is Project Gutenberg. This online library offers over 60,000 free eBooks that are in the public domain. From classic literature to historical documents, Project Gutenberg provides a wide range of PDF files that can be downloaded and enjoyed on various devices. The website is user-friendly and allows users to search for specific titles or browse through different categories. Another reliable platform for downloading Pf52 Arc Weld Explained Program Activity Sheets Pack Of 3 free PDF files is Open Library. With its vast collection of over 1 million eBooks, Open Library has something for every reader. The website offers a seamless experience by providing options to borrow or download PDF files. Users simply need to create a free account to access this treasure trove of knowledge. Open Library also allows users to contribute by uploading and sharing their own PDF files, making it a collaborative platform for book enthusiasts. For those interested in academic resources, there are websites dedicated to providing free PDFs of research papers and scientific articles. One such website is Academia.edu, which allows researchers and scholars to share their work with a global audience. Users can download PDF files of research papers, theses, and dissertations covering a wide range of subjects. Academia.edu also provides a platform for discussions and networking within the academic community. When it comes to downloading Pf52 Arc Weld Explained Program Activity Sheets Pack Of 3 free PDF files of magazines, brochures, and catalogs, Issuu is a popular choice. This digital publishing platform hosts a vast collection of publications from around the world. Users can search for specific titles or explore various categories and genres. Issuu offers a seamless reading experience with its user-friendly interface and allows users to download PDF files for offline reading. Apart from dedicated platforms, search engines also play a crucial role in finding free PDF files. Google, for instance, has an advanced search feature that allows users to filter results by file type. By specifying the file type as "PDF," users can find websites that offer free PDF downloads on a specific topic. While downloading Pf52 Arc Weld Explained Program Activity Sheets Pack Of 3 free PDF files is convenient, its important to note that copyright laws must be respected. Always ensure that the PDF files you download are legally available for free. Many authors and publishers voluntarily provide free PDF versions of their work, but its essential to be cautious and verify the authenticity of the source before downloading Pf52 Arc Weld Explained Program Activity Sheets Pack Of 3. In conclusion, the internet offers numerous

platforms and websites that allow users to download free PDF files legally. Whether its classic literature, research papers, or magazines, there is something for everyone. The platforms mentioned in this article, such as Project Gutenberg, Open Library, Academia.edu, and Issuu, provide access to a vast collection of PDF files. However, users should always be cautious and verify the legality of the source before downloading Pf52 Arc Weld Explained Program Activity Sheets Pack Of 3 any PDF files. With these platforms, the world of PDF downloads is just a click away.

### **FAQs About Pf52 Arc Weld Explained Program Activity Sheets Pack Of 3 Books**

How do I know which eBook platform is the best for me? Finding the best eBook platform depends on your reading preferences and device compatibility. Research different platforms, read user reviews, and explore their features before making a choice. Are free eBooks of good quality? Yes, many reputable platforms offer high-quality free eBooks, including classics and public domain works. However, make sure to verify the source to ensure the eBook credibility. Can I read eBooks without an eReader? Absolutely! Most eBook platforms offer webbased readers or mobile apps that allow you to read eBooks on your computer, tablet, or smartphone. How do I avoid digital eye strain while reading eBooks? To prevent digital eye strain, take regular breaks, adjust the font size and background color, and ensure proper lighting while reading eBooks. What the advantage of interactive eBooks? Interactive eBooks incorporate multimedia elements, quizzes, and activities, enhancing the reader engagement and providing a more immersive learning experience. Pf52 Arc Weld Explained Program Activity Sheets Pack Of 3 is one of the best book in our library for free trial. We provide copy of Pf52 Arc Weld Explained Program Activity Sheets Pack Of 3 in digital format, so the resources that you find are reliable. There are also many Ebooks of related with Pf52 Arc Weld Explained Program Activity Sheets Pack Of 3. Where to download Pf52 Arc Weld Explained Program Activity Sheets Pack Of 3 online for free? Are you looking for Pf52 Arc Weld Explained Program Activity Sheets Pack Of 3 PDF? This is definitely going to save you time and cash in something you should think about. If you trying to find then search around for online. Without a doubt there are numerous these available and many of them have the freedom. However without doubt you receive whatever you purchase. An alternate way to get ideas is always to check another Pf52 Arc Weld Explained Program Activity Sheets Pack Of 3. This method for see exactly what may be included and adopt these ideas to your book. This site will almost certainly help you save time and effort, money and stress. If you are looking for free books then you really should consider finding to assist you try this. Several of Pf52 Arc Weld Explained Program Activity Sheets Pack Of 3 are for sale to free while some are payable. If you arent sure if the books you would like to download works with for usage along with your computer, it is possible to download free trials. The free guides make it easy for someone to free access online library for download books to your device. You can get free download on free trial for lots of books categories.

Our library is the biggest of these that have literally hundreds of thousands of different products categories represented. You will also see that there are specific sites catered to different product types or categories, brands or niches related with Pf52 Arc Weld Explained Program Activity Sheets Pack Of 3. So depending on what exactly you are searching, you will be able to choose e books to suit your own need. Need to access completely for Campbell Biology Seventh Edition book? Access Ebook without any digging. And by having access to our ebook online or by storing it on your computer, you have convenient answers with Pf52 Arc Weld Explained Program Activity Sheets Pack Of 3 To get started finding Pf52 Arc Weld Explained Program Activity Sheets Pack Of 3, you are right to find our website which has a comprehensive collection of books online. Our library is the biggest of these that have literally hundreds of thousands of different products represented. You will also see that there are specific sites catered to different categories or niches related with Pf52 Arc Weld Explained Program Activity Sheets Pack Of 3 So depending on what exactly you are searching, you will be able to choose ebook to suit your own need. Thank you for reading Pf52 Arc Weld Explained Program Activity Sheets Pack Of 3. Maybe you have knowledge that, people have search numerous times for their favorite readings like this Pf52 Arc Weld Explained Program Activity Sheets Pack Of 3, but end up in harmful downloads. Rather than reading a good book with a cup of coffee in the afternoon, instead they juggled with some harmful bugs inside their laptop. Pf52 Arc Weld Explained Program Activity Sheets Pack Of 3 is available in our book collection an online access to it is set as public so you can download it instantly. Our digital library spans in multiple locations, allowing you to get the most less latency time to download any of our books like this one. Merely said, Pf52 Arc Weld Explained Program Activity Sheets Pack Of 3 is universally compatible with any devices to read.

### **Find Pf52 Arc Weld Explained Program Activity Sheets Pack Of 3 :**

~~proven strategy to launch AI agency step by step BATCH55-461~~

**easy method to generate leads using AI for beginners BATCH55-1787**

*affordable way to use AI for lead generation with free tools BATCH55-332*

proven strategy to write blog posts using AI step by step BATCH55-2101

*how to automate customer service with AI for content creators BATCH55-1810*

**free way to create marketing funnel with AI with free tools BATCH55-1991**

*step by step guide to build website using AI for content creators BATCH55-1963*

*best way to use AI for lead generation for content creators BATCH55-1339*

~~complete beginner guide to create digital products with AI that actually works BATCH55-785~~

easy method to create digital products with AI with free tools BATCH55-1257

affordable way to grow email list using AI that actually works BATCH55-945

**easy method to automate customer service with AI organically BATCH55-588**

low budget way to use AI for blogging for beginners BATCH55-1563

easy method to create AI powered SaaS for beginners BATCH55-1859

*complete beginner guide to automate customer service with AI with free tools BATCH55-1603*

**Pf52 Arc Weld Explained Program Activity Sheets Pack Of 3 :**

**laser cut airplane 144 files free download 3axis co** - Jul 14 2023

web laser cut airplane template files are in file formats which are recommended for laser cutting dxf dwg cdr coreldraw ai adobe illustrator eps adobe illustrator svg pdf we have 144 laser cut airplane templates for laser cutting all laser cut airplane files are free to download

**laser cut plane dxf etsy** - Oct 05 2022

web war plane combat plane fighter laser cutting model aircraft hobby vector laser cut wooden airplane template glowforge cnc dxf svg 137 3 00 plane with the banner cut files for cricut clip art silhouette eps svg pdf png dxf jpeg 3 5k 3 00

**plane dxf files free 79 files in dxf format free download** - Aug 15 2023

web free dxf files of plane 3axis co have 79 plane dxf files for free to download or view online in 3axis co dxf online viewer format dxf laser cut mini f 14 tomcat dxf file

**cnc laser cut free dxf files vectors 3axis co** - Feb 09 2023

web cnc laser cut free dxf files vectors 3axis co have 13795 cnc laser cut dxf and vector files cdr eps for free to download format cdr bmw wall hanger plasma cnc laser cut template free vector format cdr bunny wooden animal cnc laser cut template free vector format dwg owl stand up wooden jigsaw puzzle cnc laser

*plane dxf 69 files free download vectors file* - May 12 2023

web plane dxf file for laser cutting and wood cutting plane dxf cnc file free download

*airplane dxf vectors for free download vectors art* - Jun 01 2022

web soviet airplane i 16 3d puzzle drawing for laser cutting free dxf file mini f 14 tomcat laser cut free dxf file meped the meped quadruped for laser cut free dxf file

**free laser cut aircraft airplane dxf downloads** - Jan 08 2023

web aircraft airplane free 1 file s 78 kb we have thousands of cutting templates posts available for free download on our website vector files dxf cdr svg dwg 3d stl templates and we are growing more and more

model plane 3d laser cutting project freepatternsarea - Nov 06 2022

web 3d plane project and digital dxf and cdr cnc cutting files that you can make by cutting 3mm thick materials such as wood

plywood mdf cardboard and balsa in cnc based laser cutters if you are looking for a classic biplane model to make on laser cutting machines this design may be just for you

*airplane collection dxf file for cnc plasma cutting dxf design* - Jan 28 2022

web the dxf file is designed for cnc plasma laser or water jet cutting all vector cut paths are closed loops with no intersections the silhouette artwork can be stand alone or modified and incorporated into your own metal art design approx sizes are 35 wide x 20 high

**explore airplane 164 free files for laser cutting 3axis co** - Jun 13 2023

web format dxf laser cut small toy airplane dxf file format cdr laser cut toy airplane free vector format cdr laser cut airplane beer and snack holder free vector format cdr laser cut airplane flower box free vector format svg laser cut a10 airplane 3d puzzle svg file format dxf laser cut wooden toy airplane double decker toy

*cnc cut files aerofred com download and share free model airplane* - Sep 04 2022

web mar 9 2018 dxf to cut on cnc laser you can find the dxf under version file plan page add to favorites quote prints ftu1 14 2 in 36 cm cnc cut files the first time user 1 ftu1 is a small hand launch glider i did for a school project elementary school 9 years old the purpose is to be able to finish the plane in about 1 hour including

**airplane plans dxf vectors for free download vectors art** - Dec 27 2021

web soviet airplane i 16 3d puzzle drawing for laser cutting free dxf file

**airplane cnc dxf etsy** - Apr 30 2022

web airplane cessna cnc files dxf cdr dxf files for cnc laser cut files vector files vector cutting plan cnc router files cnc advertisement by toplasercutfiles toplasercutfiles

**laser cut double wing airplane 3mm free dxf vectors file** - Feb 26 2022

web the vector file laser cut double wing airplane 3mm free dxf vectors file is an autocad dxf vector files dxf type and download free this cad computer aided design files for cnc machining laser cutting design etc and this file can be used with any cnc machine plasma cutter cnc routers laser cutter vinyl cutters laser

*3d models to 2d templates for laser cutters cnc milling* - Jul 02 2022

web aug 19 2021 dxf for laser deepnest io to get all of your parts out of fusion 360 and into deepnest io you will need to process each part of your model manually using the dxf for laser add in this add in will help speed up the process of exporting each dxf file but it will take you some time to work through each part

*plane free dxf files vectors 3axis co* - Aug 03 2022

web laser cut airplane clock wall decor free vector format dxf laser cut small toy airplane dxf file format cdr laser cut nieuport 17 fighter biplane 3d puzzle free vector format dxf laser cut pontoon plane 3d puzzle dxf file format dxf laser cut bi

plane 3d puzzle dxf file format cdr laser cut toy airplane free vector format cdr

[airplane dxf files etsy](#) - Mar 10 2023

web aircraft dxf svg png files airplane plane aircraft aviation airline laser cut for cnc laser plasma glowforge 175

**airplane free dxf files vectors 3axis co** - Dec 07 2022

web laser cut toy airplane free vector format cdr laser cut airplane beer and snack holder free vector format cdr laser cut airplane flower box free vector format svg laser cut a10 airplane 3d puzzle svg file format dxf laser cut wooden toy airplane double decker toy aeroplane dxf file format dxf laser cut wooden airplane toy

**cnc laser plans free dxf files vectors 3axis co** - Apr 11 2023

web cnc laser plans free dxf files vectors 3axis co have 13820 cnc laser plans dxf and vector files cdr eps for free to download format dwg rabbit jigsaw puzzle for kids cnc laser plans dwg file format dwg bunny rabbit jigsaw puzzle cnc laser plans dwg file format cdr laser cut hedgehog night light cnc router plans free vector

[39 aircraft helicopters airplanes cnc vectors in dxf cdr files for](#) - Mar 30 2022

web super pack 2d vector drawings for pantograph various dxf and cdr file formats are suitable for usage with laser and cnc routers respectively features vector illustrations dxf and cdr of airplanes helicopters and aircraft to make your design process easier includes 39 models with assorted designs to choose from

**occasion for musician appreciation program pqr uiaf gov co** - Aug 02 2022

web occasion for musician appreciation program the puget sound region is home to some of the most imaginative and dedicated classical music artists and presenters here s how

**thank you to a church musician examples tons of** - May 11 2023

web dec 2 2022 you can reply to a thank you or appreciation email by simply stating that you accept the thanks and extend a friendly you re welcome and list the circumstances that

**occasion for musician appreciation program download only** - May 31 2022

web here are the original poems written by a pastor that you can use to share with your members in the church let me take this chance to say thank you pastor thank you

**occasion for musician appreciation program secure4 khronos** - Dec 26 2021

web occasion music free download dbpoweramp music converter dj music mixer ashampoo music studio 10 and many more programs

[azrmusic net](#) - Apr 29 2022

web occasion for musician appreciation program is available in our digital library an online access to it is set as public so you can get it instantly our books collection hosts in

[how gratitude can make you a better musician](#) - Aug 14 2023

the comparison game is something that plagues a lot of serious musicians working today it s an attitude of entitlement predicated on the idea that if an artist see more

[occasion for musician appreciation program](#) - Dec 06 2022

web occasion for musician appreciation program girl can earn as she explores her interests and learns new skills as a girl scout filk music wikipedia may 1st 2018 filk music is

**occasion for musician appreciation program pdf pdf** - Apr 10 2023

web god bless you let the work of god spread far and wide as we await for the second coming of jesus christ i wish my church all the best as celebrate the musician appreciation

**occasionformusicianappreciationprogram copy** - Nov 05 2022

web occasion for musician appreciation program dot professional technical and managerial occupations may 5th 2018 0 1 professional technical and

**church musician appreciation poems church pastor guide for an** - Jul 01 2022

web merely said the occasion for musician appreciation program is universally compatible with any devices to read the musical monitor 1916 the musician 1926 bach

[occasion for musician appreciation program pdf uniport edu](#) - Feb 25 2022

web occasion for musician appreciation program and numerous book collections from fictions to scientific research in any way among them is this occasion for musician

**occasion for musician appreciation program** - Jan 07 2023

web occasion for musician appreciation program pdf introduction occasion for musician appreciation program pdf 2023

[book occasion for musician appreciation program](#) - Mar 09 2023

web title occasion for musician appreciation program pdf pdf bukuclone ortax org created date 9 2 2023 2 56 28 pm

[occasion for musician appreciation program download only](#) - Mar 29 2022

web azrmusic net

[occasion for musician appreciation program download only](#) - Nov 24 2021

web occasion for musician appreciation program filk music is a musical culture genre and community tied to science fiction fantasy horror fandom and a type of fan labor the genre

[occasion for musician appreciation program pdf uniport edu](#) - Oct 04 2022

web feb 16 2023 occasion for musician appreciation program 2 2 downloaded from epls fsu edu on february 4 2023 by guest the french quarter festival is celebrating its 40th

*ebooks occasion for musician appreciation program* - Sep 03 2022

web occasion for musician appreciation program 1 1 downloaded from uniport edu ng on august 28 2023 by guest occasion for musician appreciation program when

**occasion for musician appreciation program pdf 2023** - Feb 08 2023

web occasion for musician appreciation program you can help make that happen when you come and get down with kc and the sunshine band during its 50th anniversary

what is a good welcome and occasion for musician appreciation - Jul 13 2023

without gratitude you ll never be happy or fulfilled in music no matter how materially successful you are there s always going to be someone faring better see more

occasion for musician appreciation program jetpack theaai - Oct 24 2021

web it is your enormously own period to acquit yourself reviewing habit accompanied by guides you could enjoy now is occasion for musician appreciation program below 18 tiny

**occasion music cnet download** - Jan 27 2022

web may 8 2023 getting the books occasion for musician appreciation program now is not type of inspiring means you could not isolated going once book amassing or library or

*church musician appreciation day church pastor guide for an* - Jun 12 2023

and before you think this is an attitude that s at odds with the ambition it takes to be successful in music it s really not gratitude asks us to look outside of see more

**10 fascinating facts about cat paws cats com** - Aug 03 2023

web jul 7 2023 science tells us that male cats are typically left pawed female cats are generally right pawed want to know which paw is your cat s dominant paw watch closely when they step over an object paw at a toy or go up and down the stairs the paw that they use first is their preferred paw 5 cat paws serve as important grooming tools

*how many toes does a cat have feline paw anatomy explained* - Jun 01 2023

web sep 7 2023 cats usually have 18 toes with five on each front paw and four on each back paw however some cats are born with more than the standard set of digits polydactyly is a genetic mutation that expresses multiple digits

*cat anatomy wikipedia* - Jul 02 2023

web cat anatomy comprises the anatomical studies of the visible parts of the body of a domestic cat which are similar to those of other members of the genus felis mouth sharp spines or papillae found in a cat s tongue 5 types of papillae can be found in the dorsal aspect of the tongue filiform fungiform foliate vallate and conical

**cat paw anatomy facts care guide pictures faqs more** - Oct 05 2023

web mar 27 2023 the front paws of a cat comprise digital pads metacarpal pads dewclaws and carpal pads while the back paws consist of digital pads and metatarsal pads collectively they are called paw pads in this segment of the article we will expound on these parts and their functions digital pads

**how to care for cat paws dutch** - Feb 26 2023

web jan 11 2023 healthy paws contribute a great deal to the overall health of your cat cat paws also contain large amounts of nerve receptors and blood vessels making them incredibly sensitive they immediately signal your cat to any pressure or pain and any damage such as a cut burn or puncture can be a distressing experience

**what are cat paws made of 5 vet reviewed facts faqs** - Jan 28 2023

web sep 18 2023 the paw is an incredible part of a cat s anatomy 1 they have excellent circulation cats have greater circulation in their paws than humans do in their feet this enables them to withstand colder temperatures and is why cats can bear to walk on snow and cold surfaces

**9 interesting facts about cat paws catster** - Sep 04 2023

web nov 1 2023 cat paws help our feline friends hunt and groom but did you also know that cat paws are also super sensitive shock absorbers that aid in cat sweating research determined if cats might be

*cat paw anatomy bone muscle and digital pad* - Apr 30 2023

web feb 19 2022 there are 4 paws in a cat that contains 18 claws altogether in the cat paw anatomy you will learn the bones muscles vessels and digital pad structures in detail i will show you all the cat paw pad anatomy structures

**cat paw care tips nails pads and more webmd** - Mar 30 2023

web 1 keep your cat s paws clean this is the most important part of keeping your cat s paws healthy wipe their paws with a damp cloth every day check between their paws for litter or