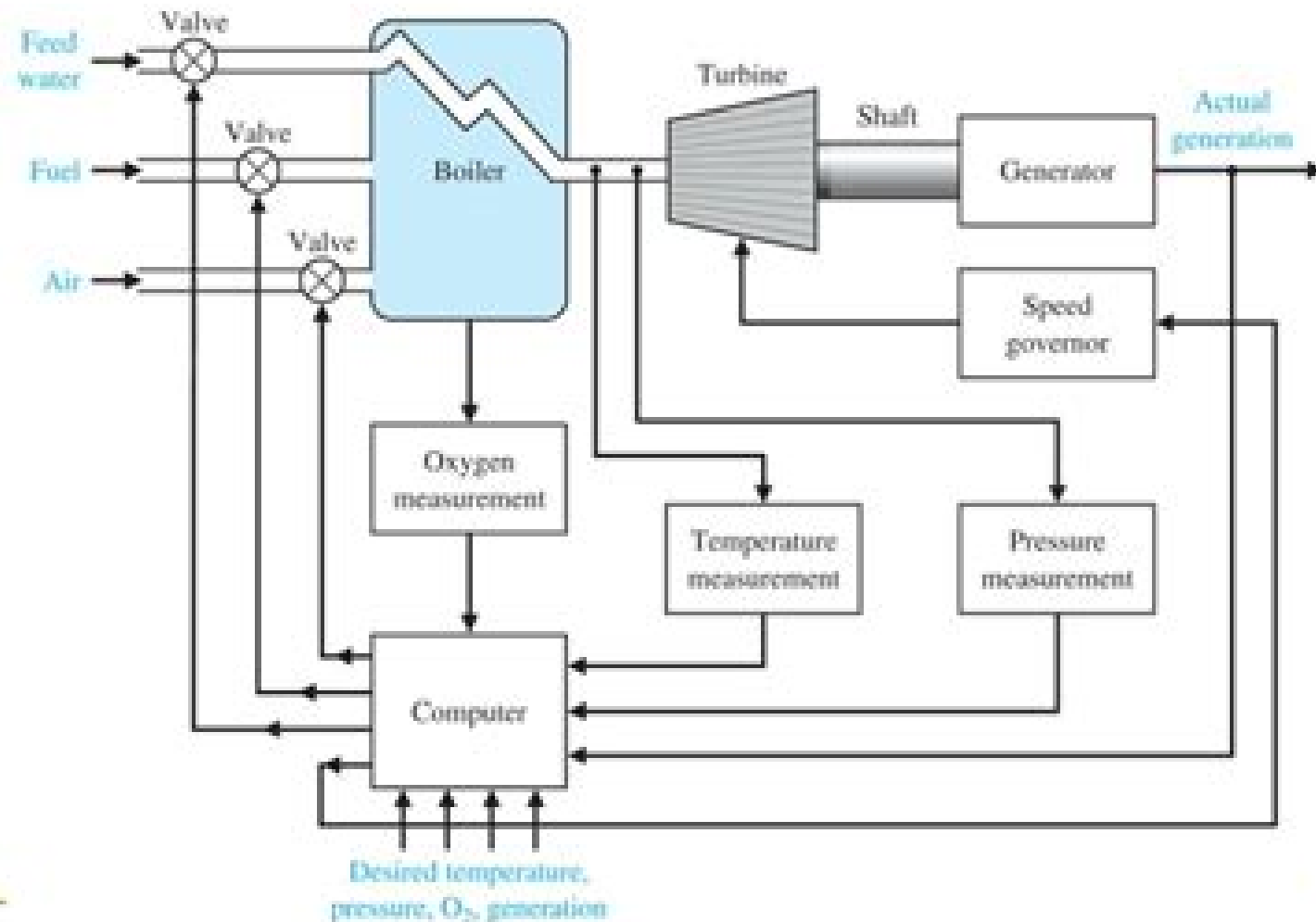


Multivariable Control System



Multivariable System Identification For Process Control

A. Ichikawa, K. Furuta



Multivariable System Identification For Process Control:

Multivariable System Identification For Process Control Y. Zhu, 2001-10-08 Systems and control theory has experienced significant development in the past few decades New techniques have emerged which hold enormous potential for industrial applications and which have therefore also attracted much interest from academic researchers However the impact of these developments on the process industries has been limited The purpose of Multivariable System Identification for Process Control is to bridge the gap between theory and application and to provide industrial solutions based on sound scientific theory to process identification problems The book is organized in a reader friendly way starting with the simplest methods and then gradually introducing more complex techniques Thus the reader is offered clear physical insight without recourse to large amounts of mathematics Each method is covered in a single chapter or section and experimental design is explained before any identification algorithms are discussed The many simulation examples and industrial case studies demonstrate the power and efficiency of process identification helping to make the theory more applicable Matlab™ M files designed to help the reader to learn identification in a computing environment are included

Automated Multivariable System Identification Wallace E. Larimore, Dale E. Seborg, 1999

System Identification 2003 Paul Van Den Hof, Bo Wahlberg, Siep Weiland, 2004-06-29 The scope of the symposium covers all major aspects of system identification experimental modelling signal processing and adaptive control ranging from theoretical methodological and scientific developments to a large variety of engineering application areas It is the intention of the organizers to promote SYSID 2003 as a meeting place where scientists and engineers from several research communities can meet to discuss issues related to these areas Relevant topics for the symposium program include Identification of linear and multivariable systems identification of nonlinear systems including neural networks identification of hybrid and distributed systems Identification for control experimental modelling in process control vibration and modal analysis model validation monitoring and fault detection signal processing and communication parameter estimation and inverse modelling statistical analysis and uncertainty bounding adaptive control and data based controller tuning learning data mining and Bayesian approaches sequential Monte Carlo methods including particle filtering applications in process control systems motion control systems robotics aerospace systems bioengineering and medical systems physical measurement systems automotive systems econometrics transportation and communication systems Provides the latest research on System Identification Contains contributions written by experts in the field Part of the IFAC Proceedings Series which provides a comprehensive overview of the major topics in control engineering

Process Modelling for Control Benoît Codrons, 2005-08-30 Many process control books focus on control design techniques taking the construction of a process model for granted Process Modelling for Control concentrates on the modelling steps underlying a successful design answering questions like How should I carry out the identification of my process in order to obtain a good model How can I assess the quality of a model with a view to using

it in control design How can I ensure that a controller will stabilise a real process and achieve a pre specified level of performance before implementation What is the most efficient method of order reduction to facilitate the implementation of high order controllers Different tools namely system identification model controller validation and order reduction are studied in a framework with a common basis closed loop identification with a controller that is close to optimal will deliver models with bias and variance errors ideally tuned for control design As a result rules are derived applying to all the methods that provide the practitioner with a clear way forward despite the apparently unconnected nature of the modelling tools Detailed worked examples representative of various industrial applications are given control of a mechanically flexible structure a chemical process and a nuclear power plant Process Modelling for Control uses mathematics of an intermediate level convenient to researchers with an interest in real applications and to practising control engineers interested in control theory It will enable working control engineers to improve their methods and will provide academics and graduate students with an all round view of recent results in modelling for control Advances in Industrial Control aims to report and encourage the transfer of technology in control engineering The rapid development of control technology has an impact on all areas of the control discipline The series offers an opportunity for researchers to present an extended exposition of new work in all aspects of industrial control *Dynamics and Control of Process Systems 2004* Sirish Shah, John F. MacGregor, 2005-06-10

Digital Computer Applications to Process Control R. Isermann, H. Kaltenecker, 2014-05-20 Digital Computer Applications to Process Control presents the developments in the application of digital computers to the control of technical processes This book discusses the control principles and includes as well direct feedback and feed forward control as monitoring and optimization of technical processes Organized into five parts encompassing 77 chapters this book begins with an overview of the two categories of microprocessor systems This text then discusses the concept of a sensor controlled robot that adapts to any task assures product quality and eliminates machine tending labor Other chapters consider the ergonomic adaptation of the human operator s working conditions to his abilities This book discusses as well the self tuning regulator for liquid level in the acetic acid evaporator and its actual performance in production The final chapter deals with algebraic method for deadbeat control of multivariable linear time invariant continuous systems This book is a valuable resource for electrical and control engineers

System Identification (SYSID '03) Paul Van Den Hof, Bo Wahlberg, Siep Weiland, 2004-06-29 The scope of the symposium covers all major aspects of system identification experimental modelling signal processing and adaptive control ranging from theoretical methodological and scientific developments to a large variety of engineering application areas It is the intention of the organizers to promote SYSID 2003 as a meeting place where scientists and engineers from several research communities can meet to discuss issues related to these areas Relevant topics for the symposium program include Identification of linear and multivariable systems identification of nonlinear systems including neural networks identification of hybrid and distributed systems Identification for control experimental modelling

in process control vibration and modal analysis model validation monitoring and fault detection signal processing and communication parameter estimation and inverse modelling statistical analysis and uncertainty bounding adaptive control and data based controller tuning learning data mining and Bayesian approaches sequential Monte Carlo methods including particle filtering applications in process control systems motion control systems robotics aerospace systems bioengineering and medical systems physical measurement systems automotive systems econometrics transportation and communication systems Provides the latest research on System Identification Contains contributions written by experts in the field Part of the IFAC Proceedings Series which provides a comprehensive overview of the major topics in control engineering 13th International Symposium on Process Systems Engineering – PSE 2018, July 1-5 2018 Mario R. Eden, Gavin Towler, Maria Ierapetritou, 2018-07-19 Process Systems Engineering brings together the international community of researchers and engineers interested in computing based methods in process engineering This conference highlights the contributions of the PSE community towards the sustainability of modern society and is based on the 13th International Symposium on Process Systems Engineering PSE 2018 event held San Diego CA July 1 5 2018 The book contains contributions from academia and industry establishing the core products of PSE defining the new and changing scope of our results and future challenges Plenary and keynote lectures discuss real world challenges globalization energy environment and health and contribute to discussions on the widening scope of PSE versus the consolidation of the core topics of PSE Highlights how the Process Systems Engineering community contributes to the sustainability of modern society Establishes the core products of Process Systems Engineering Defines the future challenges of Process Systems Engineering **Advances in Control Education** 1994 A. Ichikawa, K. Furuta, 2014-05-23 The implementation of effective control systems can help to achieve a wide range of benefits not least in terms of real cost savings Education plays a vital role in ensuring continued success and its importance is well recognized by IFAC with a specifically designated technical committee in this area This invaluable publication brings together the results of international research and experience in the latest control education techniques as presented at the most recent symposium Information on course curricula is presented as well as teachware including software and laboratory experimental apparatus **Control Performance Management in Industrial Automation** Mohieddine Jelali, 2012-10-31 Control Performance Management in Industrial Automation provides a coherent and self contained treatment of a group of methods and applications of burgeoning importance to the detection and solution of problems with control loops that are vital in maintaining product quality operational safety and efficiency of material and energy consumption in the process industries The monograph deals with all aspects of control performance management CPM from controller assessment minimum variance control based and advanced methods to detection and diagnosis of control loop problems process non linearities oscillations actuator faults to the improvement of control performance maintenance re design of loop components automatic controller re tuning It provides a contribution towards the development and application of completely self contained and

automatic methodologies in the field Moreover within this work many CPM tools have been developed that goes far beyond available CPM packages Control Performance Management in Industrial Automation presents a comprehensive review of control performance assessment methods develops methods and procedures for the detection and diagnosis of the root causes of poor performance in complex control loops covers important issues that arise when applying these assessment and diagnosis methods recommends new approaches and techniques for the optimization of control loop performance based on the results of the control performance stage and offers illustrative examples and industrial case studies drawn from chemicals building mining pulp and paper mineral and metal processing industries This book will be of interest to academic and industrial staff working on control systems design maintenance or optimisation in all process industries *IAENG Transactions on Engineering Technologies Volume I* Sio-Long Ao, Alan H.S. Chan, Hideki Katagiri, Oscar Castillo, Li Xu, 2009-01-28 This volume contains twenty seven revised and extended research articles written by prominent researchers of the International MultiConference of Engineers and Computer Scientists IMECS 2008 The book offers the state of art of tremendous advances in engineering technologies and also serves as an excellent reference work for researchers and graduate students *Chemical Process Control-VI* American Institute of Chemical Engineers, 2002 *Chemical Process Control-VI* James Blake Rawlings, Babatunde Ayodeji Ogunnaike, John W. Eaton, 2002 Electronic version of the proceedings and papers of the conference along with an ISO9660 file system with Rock Ridge attributes **Process / Industrial Instruments and Controls Handbook, Sixth Edition** Gregory K. McMillan, P. Hunter Vegas, 2019-04-12 Extensive practical plant based knowledge to achieve the best automation system BACK COVER DESCRIPTION This fully updated on the job reference contains all the automation and control information you need to make timely decisions and maximize process capacity and efficiency Featuring contributions from 50 top technical experts Process Industrial Instruments and Controls Handbook Sixth Edition covers the latest technologies and advances More importantly the book helps you select the right instrumentation install and maintain it correctly and leverage it to maximize plant performance and profitability You will get all you need to know to execute a successful automation project including time saving tables lists of essential best practices and hundreds of topic defining illustrations Coverage includes Process variable measurements Analytical measurements Control Network communications Safety instrumented systems Control systems fundamentals PID control strategies Continuous and batch control Improving operator performance Improving process performance Project management And more **Chemical Process Control-V** Jeffrey C. Kantor, Carlos E. García, Brice Carnahan, 1997 *Advanced Process Control Applications* T. E. Marlin, 1988 **Design and Control of Chemical Process Systems** J. R. Borer, 1974 **Computer Aided Design of Control Systems** Michel A. Cuénod, 1980 Design and analysis methods for plants controllers and control systems Program packages and programming languages for design purposes Computer assisted planning CAD in research development and instruction Applications Lata papers Survey papers Round table

discussions **Adaptive Control of Chemical Processes 1988, (ADCHEM '88)** Mogens Kümmel, 1989 Hardbound These Proceedings present adaptive control a method for controlling and regulating industrial plants processes and systems within the chemical industry Containing 33 papers direct adaptive control and the self tuning regulating method are discussed and reviewed and practical applications of this system are illustrated for example within biochemical engineering thermal processes and distillation columns Proceedings of the Eighth IASTED International Symposium Applied Informatics International Association of Science and Technology for Development, 1990

Reviewing **Multivariable System Identification For Process Control**: Unlocking the Spellbinding Force of Linguistics

In a fast-paced world fueled by information and interconnectivity, the spellbinding force of linguistics has acquired newfound prominence. Its capacity to evoke emotions, stimulate contemplation, and stimulate metamorphosis is actually astonishing. Within the pages of "**Multivariable System Identification For Process Control**," an enthralling opus penned by a very acclaimed wordsmith, readers attempt an immersive expedition to unravel the intricate significance of language and its indelible imprint on our lives. Throughout this assessment, we shall delve into the book's central motifs, appraise its distinctive narrative style, and gauge its overarching influence on the minds of its readers.

https://www.staging.gilderlehrman.org/data/uploaded-files/HomePages/miekka_ei_laske_leikkia_suomi_suureba_pohjan_soda_ba_17001714.pdf

Table of Contents Multivariable System Identification For Process Control

1. Understanding the eBook Multivariable System Identification For Process Control
 - The Rise of Digital Reading Multivariable System Identification For Process Control
 - Advantages of eBooks Over Traditional Books
2. Identifying Multivariable System Identification For Process Control
 - Exploring Different Genres
 - Considering Fiction vs. Non-Fiction
 - Determining Your Reading Goals
3. Choosing the Right eBook Platform
 - Popular eBook Platforms
 - Features to Look for in a Multivariable System Identification For Process Control
 - User-Friendly Interface
4. Exploring eBook Recommendations from Multivariable System Identification For Process Control
 - Personalized Recommendations
 - Multivariable System Identification For Process Control User Reviews and Ratings

- Multivariable System Identification For Process Control and Bestseller Lists
- 5. Accessing Multivariable System Identification For Process Control Free and Paid eBooks
 - Multivariable System Identification For Process Control Public Domain eBooks
 - Multivariable System Identification For Process Control eBook Subscription Services
 - Multivariable System Identification For Process Control Budget-Friendly Options
- 6. Navigating Multivariable System Identification For Process Control eBook Formats
 - ePub, PDF, MOBI, and More
 - Multivariable System Identification For Process Control Compatibility with Devices
 - Multivariable System Identification For Process Control Enhanced eBook Features
- 7. Enhancing Your Reading Experience
 - Adjustable Fonts and Text Sizes of Multivariable System Identification For Process Control
 - Highlighting and Note-Taking Multivariable System Identification For Process Control
 - Interactive Elements Multivariable System Identification For Process Control
- 8. Staying Engaged with Multivariable System Identification For Process Control
 - Joining Online Reading Communities
 - Participating in Virtual Book Clubs
 - Following Authors and Publishers Multivariable System Identification For Process Control
- 9. Balancing eBooks and Physical Books Multivariable System Identification For Process Control
 - Benefits of a Digital Library
 - Creating a Diverse Reading Collection Multivariable System Identification For Process Control
- 10. Overcoming Reading Challenges
 - Dealing with Digital Eye Strain
 - Minimizing Distractions
 - Managing Screen Time
- 11. Cultivating a Reading Routine Multivariable System Identification For Process Control
 - Setting Reading Goals Multivariable System Identification For Process Control
 - Carving Out Dedicated Reading Time
- 12. Sourcing Reliable Information of Multivariable System Identification For Process Control
 - Fact-Checking eBook Content of Multivariable System Identification For Process Control
 - Distinguishing Credible Sources

13. Promoting Lifelong Learning
 - Utilizing eBooks for Skill Development
 - Exploring Educational eBooks
14. Embracing eBook Trends
 - Integration of Multimedia Elements
 - Interactive and Gamified eBooks

Multivariable System Identification For Process Control Introduction

In the digital age, access to information has become easier than ever before. The ability to download Multivariable System Identification For Process Control has revolutionized the way we consume written content. Whether you are a student looking for course material, an avid reader searching for your next favorite book, or a professional seeking research papers, the option to download Multivariable System Identification For Process Control has opened up a world of possibilities. Downloading Multivariable System Identification For Process Control provides numerous advantages over physical copies of books and documents. Firstly, it is incredibly convenient. Gone are the days of carrying around heavy textbooks or bulky folders filled with papers. With the click of a button, you can gain immediate access to valuable resources on any device. This convenience allows for efficient studying, researching, and reading on the go. Moreover, the cost-effective nature of downloading Multivariable System Identification For Process Control has democratized knowledge. Traditional books and academic journals can be expensive, making it difficult for individuals with limited financial resources to access information. By offering free PDF downloads, publishers and authors are enabling a wider audience to benefit from their work. This inclusivity promotes equal opportunities for learning and personal growth. There are numerous websites and platforms where individuals can download Multivariable System Identification For Process Control. These websites range from academic databases offering research papers and journals to online libraries with an expansive collection of books from various genres. Many authors and publishers also upload their work to specific websites, granting readers access to their content without any charge. These platforms not only provide access to existing literature but also serve as an excellent platform for undiscovered authors to share their work with the world. However, it is essential to be cautious while downloading Multivariable System Identification For Process Control. Some websites may offer pirated or illegally obtained copies of copyrighted material. Engaging in such activities not only violates copyright laws but also undermines the efforts of authors, publishers, and researchers. To ensure ethical downloading, it is advisable to utilize reputable websites that prioritize the legal distribution of content. When downloading Multivariable System Identification For Process Control, users should also consider the potential security risks associated with online platforms. Malicious actors may exploit vulnerabilities

in unprotected websites to distribute malware or steal personal information. To protect themselves, individuals should ensure their devices have reliable antivirus software installed and validate the legitimacy of the websites they are downloading from. In conclusion, the ability to download Multivariable System Identification For Process Control has transformed the way we access information. With the convenience, cost-effectiveness, and accessibility it offers, free PDF downloads have become a popular choice for students, researchers, and book lovers worldwide. However, it is crucial to engage in ethical downloading practices and prioritize personal security when utilizing online platforms. By doing so, individuals can make the most of the vast array of free PDF resources available and embark on a journey of continuous learning and intellectual growth.

FAQs About Multivariable System Identification For Process Control Books

What is a Multivariable System Identification For Process Control PDF? A PDF (Portable Document Format) is a file format developed by Adobe that preserves the layout and formatting of a document, regardless of the software, hardware, or operating system used to view or print it. **How do I create a Multivariable System Identification For Process Control PDF?** There are several ways to create a PDF: Use software like Adobe Acrobat, Microsoft Word, or Google Docs, which often have built-in PDF creation tools. Print to PDF: Many applications and operating systems have a "Print to PDF" option that allows you to save a document as a PDF file instead of printing it on paper. Online converters: There are various online tools that can convert different file types to PDF. **How do I edit a Multivariable System Identification For Process Control PDF?** Editing a PDF can be done with software like Adobe Acrobat, which allows direct editing of text, images, and other elements within the PDF. Some free tools, like PDFescape or Smallpdf, also offer basic editing capabilities. **How do I convert a Multivariable System Identification For Process Control PDF to another file format?** There are multiple ways to convert a PDF to another format: Use online converters like Smallpdf, Zamzar, or Adobe Acrobats export feature to convert PDFs to formats like Word, Excel, JPEG, etc. Software like Adobe Acrobat, Microsoft Word, or other PDF editors may have options to export or save PDFs in different formats. **How do I password-protect a Multivariable System Identification For Process Control PDF?** Most PDF editing software allows you to add password protection. In Adobe Acrobat, for instance, you can go to "File" -> "Properties" -> "Security" to set a password to restrict access or editing capabilities. Are there any free alternatives to Adobe Acrobat for working with PDFs? Yes, there are many free alternatives for working with PDFs, such as: LibreOffice: Offers PDF editing features. PDFsam: Allows splitting, merging, and editing PDFs. Foxit Reader: Provides basic PDF viewing and editing capabilities. How do I compress a PDF file? You can use online tools like Smallpdf, ILovePDF, or desktop software like Adobe Acrobat to compress PDF files without significant quality loss. Compression reduces the file size, making it easier to share and download. Can I fill out forms in a PDF file? Yes, most PDF

viewers/editors like Adobe Acrobat, Preview (on Mac), or various online tools allow you to fill out forms in PDF files by selecting text fields and entering information. Are there any restrictions when working with PDFs? Some PDFs might have restrictions set by their creator, such as password protection, editing restrictions, or print restrictions. Breaking these restrictions might require specific software or tools, which may or may not be legal depending on the circumstances and local laws.

Find Multivariable System Identification For Process Control :

miekka ei laske leikkia suomi suureba pohjan sodaba 17001714

middle class providence 1820 1940

midnight ride

[midnight colt](#)

[mighty mini crosswords mighty mini](#)

[microsoft windows 31 programmers reference vol 2 functions](#)

[midwestern landscape architecture](#)

[mid-lands a family album](#)

[mikwright ltd 2005 desk calendar mikwright](#)

microsoft windows server 2003 delta guide 2nd edition delta guides

[midnight snacks](#)

[migration and intercultural education in europe](#)

[migraine relief a subliminal persuasion/self-hypnosis](#)

[microsoft word 97 for windows 95 manual quicktorial](#)

[midshipman kirk](#)

Multivariable System Identification For Process Control :

alan titchmarsh how to garden vegetables and herbs - Jun 11 2022

web may 31 2012 learn all the tricks to grow vegetables from seed maintain mature plants keep the pests at bay and produce a sustainable crop in your vegetable garden includes a z of vegetables and herbs how to grow your own and harvest them advice on feeding watering and combating pests weeds and diseases practical tips on preparing and [vegetables and herbs how to garden titchmarsh alan](#) - Mar 08 2022

web alan provides key tips and practical advice to help new and experienced gardeners make the most of their vegetable gardens learn all the tricks to growing vegetables from seed maintain mature plants keep the pests at bay and produce a sustainable crop in your vegetable garden plus harvesting and storing crops

vegetables and herbs how to garden amazon com - Mar 20 2023

web apr 2 2009 learn all the tricks to growing vegetables from seed maintain mature plants keep the pests at bay and produce a sustainable crop in your vegetable garden plus harvesting and storing crops book recommendations author interviews editors picks and more read it now

how to garden penguin books uk - Apr 09 2022

web 18 alan titchmarsh how to garden vegetables and herbs alan titchmarsh learn all the tricks to grow vegetables from seed maintain mature plants keep the pests at bay and produce a sustainable crop in your vegetable garden

alan titchmarsh how to garden vegetables and herbs abebooks - Aug 13 2022

web alan titchmarsh how to garden vegetables and herbs titchmarsh alan 3 93 avg rating 27 ratings by goodreads softcover isbn 10 1846073960 isbn 13 9781846073960 publisher bbc books 2009 this specific isbn edition is currently not available view all copies of this isbn edition synopsis about this title

alan titchmarsh how to garden vegetables and herbs how to garden - Jul 24 2023

web apr 2 2009 learn all the tricks to grow vegetables from seed maintain mature plants keep the pests at bay and produce a sustainable crop in your vegetable garden includes a z of vegetables and herbs how to grow your own and harvest them advice on feeding watering and combating pests weeds and diseases

alan titchmarsh how to garden vegetables and herbs - May 22 2023

web summary learn all the tricks to grow vegetables from seed maintain mature plants keep the pests at bay and produce a sustainable crop in your vegetable garden includes a z of vegetables and herbs how to grow your own and harvest them advice on feeding watering and combating pests weeds and diseases

vegetables and herbs how to garden by alan titchmarsh goodreads - Apr 21 2023

web alan provides key tips and practical advice to help new and experienced gardeners make the most of their vegetable gardens learn all the tricks to growing vegetables from seed maintain mature plants keep the pests at bay and produce a sustainable crop in your vegetable garden plus harvesting and storing crops

alan titchmarsh how to garden vegetables and herbs - Jan 18 2023

web learn all the tricks to grow vegetables from seed maintain mature plants keep the pests at bay and produce a sustainable crop in your vegetable garden includes a z of vegetables and

alan titchmarsh how to garden vegetables and herbs - Jun 23 2023

web alan titchmarsh how to garden vegetables and herbs yazar alan titchmarsh yayınevleri ebury publishing kitap formatı ciltsiz İnce kapak

[alan titchmarsh vegetables and herbs youtube](#) - Aug 25 2023

web learn all the tricks to grow vegetables from seed maintain mature plants keep the pests at bay and produce a sustainable crop in your vegetable garden look inside alan s guide to

alan titchmarsh how to garden vegetables and herbs google - Nov 16 2022

web alan titchmarsh how to garden vegetables and herbs ebook written by alan titchmarsh read this book using google play books app on your pc android ios devices download for offline reading highlight bookmark or take notes while you read alan titchmarsh how to garden vegetables and herbs

alan titchmarsh how to garden vegetables and herbs kindle - Feb 07 2022

web may 31 2012 alan titchmarsh how to garden vegetables and herbs kindle edition by titchmarsh alan download it once and read it on your kindle device pc phones or tablets use features like bookmarks note taking and highlighting while reading alan titchmarsh how to garden vegetables and herbs

alan titchmarsh how to garden vegetables and herbs - Feb 19 2023

web learn all the tricks to grow vegetables from seed maintain mature plants keep the pests at bay and produce a sustainable crop in your vegetable garden includes a z of vegetables and

alan titchmarsh how to garden vegetables and herbs apple - Jul 12 2022

web learn all the tricks to grow vegetables from seed maintain mature plants keep the pests at bay and produce a sustainable crop in your vegetable garden includes a z of vegetables and herbs how to grow your own and harvest them advice on feeding watering and combating pests weeds and diseases practical tips on preparing and

alan titchmarsh how to garden vegetables and herbs by alan titchmarsh - Sep 14 2022

web alan titchmarsh how to garden vegetables and herbs by alan titchmarsh 2 apr 2009 paperback unknown binding 4 7 240 ratings part of how to garden 22 books

alan titchmarsh how to garden vegetables and herbs - Dec 17 2022

web alan titchmarsh how to garden vegetables and herbs by author alan titchmarsh publishers ebury publishing print format paperback

vegetables and herbs by alan titchmarsh overdrive - Jan 06 2022

web may 31 2012 vegetables and herbs ebook how to garden by alan titchmarsh read a sample format ebook isbn 9781846073960 series how to garden author alan titchmarsh publisher ebury publishing release 31 may 2012 subjects gardening nonfiction find this title in libby the library reading app by overdrive search for a

[alan titchmarsh how to garden vegetables and herbs](#) - Oct 15 2022

web apr 2 2009 learn all the tricks to grow vegetables from seed maintain mature plants keep the pests at bay and produce a sustainable crop in your vegetable garden includes a z of vegetables and herbs how to grow your own and harvest them advice on feeding watering and combating pests weeds and diseases practical tips on preparing and

alan titchmarsh how to garden vegetables and herbs apple - May 10 2022

web may 31 2012 learn all the tricks to grow vegetables from seed maintain mature plants keep the pests at bay and produce a sustainable crop in your vegetable garden includes a z of vegetables and herbs how to grow your own and harvest them advice on feeding watering and combating p

la bambina strisce e punti salani - Oct 07 2023

web formato brossura si va in africa tutti pulitini al seguito di papà e mamma che studiano la medicina tradizionale africana e si ritorna nudi e dipinti a strisce e punti perché amima la regina con la coda ci ha detto i bambini in africa nascono nudi e chi nasce nudo non deve vergognarsi né del petto né del pisello

[la bambina strisce e punti by emanuela nava open library](#) - Apr 01 2023

web la bambina strisce e punti by emanuela nava 1996 salani edition in italian 1 ed

la bambina strisce e punti gl istrici goodreads - Mar 20 2022

web paperback published january 1 1996 book details editions

la bambina a strisce e punti youtube - Feb 16 2022

web flavio insinna per favore parlate al conducente la bambina a strisce e punti

bambina strisce punti by nava emanuela abebooks - Apr 20 2022

web la bambina strisce e punti by emanuela nava and a great selection of related books art and collectibles available now at abebooks com

la bambina strisce e punti nava emanuela libreria ibs - May 02 2023

web la bambina strisce e punti è un ebook di nava emanuela pubblicato da salani nella collana gl istrici a 4 99 il file è in formato epub2 con adobe drm risparmia online con le offerte ibs

[emanuela nava la bambina strisce e punti youtube](#) - Oct 27 2022

web about press copyright contact us creators advertise developers terms privacy policy safety how youtube works test new features press copyright contact us creators

la bambina strisce e punti amazon it - Jul 04 2023

web la bambina strisce e punti copertina flessibile 10 ottobre 1996 di emanuela nava autore chiara carrer illustratore 3 6 3 6 su 5 stelle 5 voti

la bambina strisce e punti formato kindle amazon it - Sep 25 2022

web la bambina strisce e punti ebook nava emanuela carrer c amazon it libri seleziona la categoria in cui desideri effettuare la ricerca ricerca amazon it ciao accedi account e liste resi e ordini carrello tutte supporto per l accessibilità

la bambina strisce e punti gl istrici amazon es - May 22 2022

web la bambina strisce e punti gl istrici nava emanuela carrer chiara amazon es libros

la bambina strisce e punti ebook epub nava emanuela fnac - Feb 28 2023

web si va in africa tutti pulitini al seguito di papà e mamma che studiano la medicina tradizionale africana e si ritorna nudi e dipinti a strisce e punti perché amima la regina con la coda ha detto i bambini in africa nascono nudi e chi nasce nudo non deve vergognarsi né del petto né del pisello

la bambina strisce e punti emanuela nava lafeltrinelli - Jan 30 2023

web la bambina strisce e punti è un libro di emanuela nava pubblicato da salani nella collana gl istrici acquista su lafeltrinelli a 4 80

la bambina strisce e punti by emanuela nava goodreads - Jun 03 2023

web la bambina strisce e punti book read reviews from world s largest community for readers si va in africa tutti pulitini al seguito di papà e mamma che

la bambina strisce e punti nava emanuela 9788877825377 - Jul 24 2022

web ma in africa si impara anche il silenzio a parlare con gli occhi a conoscere la grande anima di quel paese che insegna a credere nell impossibile perché lì spesso si avvera come a diventare donna intrecciando una collana di uova di struzzo o

la bambina strisce e punti youtube - Jun 22 2022

web una grande voce maschile per una bellissima storia alessandro corsi legge emanuela nava in una bambina strisce e punti sezione biblioteca dei ragazzi la

la bambina strisce e punti 2023 pivotid uvu - Sep 06 2023

web la bambina strisce e punti la bambina strisce e punti la cifrematica è la scienza della parola il termine è sorto in un équipe diretta da armando verdiglione nel 1988 questo è il primo dizionario di cifrematica contiene circa seimila lemmi nel loro svolgimento storico e secondo le cinque

la bambina strisce e punti libreria universitaria - Nov 27 2022

web descrizione del libro si va in africa tutti pulitini al seguito di papà e mamma che studiano la medicina tradizionale africana e si ritorna nudi e dipinti a strisce e punti perché amima la regina con la coda ci ha detto i bambini in africa nascono nudi e chi nasce nudo non deve vergognarsi né del petto né del pisello

la bambina strisce e punti emanuela nava libro libreria ibs - Aug 05 2023

web la bambina strisce e punti è un libro di emanuela nava pubblicato da salani nella collana gl istrici acquista su ibs a 8 00
la bambina strisce e punti by emanuela nava barnes noble - Aug 25 2022

web dec 31 2010 si va in africa tutti pulitini al seguito di papà e mamma che studiano la medicina tradizionale africana e si ritorna nudi e dipinti a strisce e

la bambina strisce e punti emanuela nava mondadori store - Dec 29 2022

web acquista online la bambina strisce e punti di emanuela nava in formato ebook su mondadori store

das konstanzer konzil planet wissen - Jan 11 2023

web ibr online internationale bibliographie der rezensionen geistes und sozialwissenschaftlicher literatur international bibliography of book reviews of

das konstanzer konzil 1414 1418 weltereignis des mittelalters - May 15 2023

web jan 1 2013 das konstanzer konzil 1414 1418 weltereignis des mittelalters essays best source find full text or request about this article authors braun karl heinz 1955

das konstanzer konzil essays 1414 1418 weltereignis des - Nov 09 2022

web das konstanzer konzil 1 1414 1418 weltereignis des mittelalters karl heinz braun home worldcat home about worldcat help search search for library items search

das konstanzer konzil 1414 1418 weltereignis des mittelalters - Dec 10 2022

web sep 18 2013 das konstanzer konzil essays 1414 1418 weltereignis des mittelalters on amazon com free shipping on qualifying offers das konstanzer konzil

das konstanzer konzil katalog und essays book z library - Aug 06 2022

web jan 14 2015 the constance council has stayed in the mind due to overcoming the schism the resignation or dismissal of the three schism pontiffs as well as the new

konzil von Konstanz wikipedia - Aug 18 2023

silvia volkart hrsg rom am bodensee die zeit des konstanzer konzils nzz libro zürich 2014 isbn 978 3 03823 887 4 badisches landesmuseum karlsruhe hrsg das konstanzer konzil katalog 1414 1418 weltereignis des mittelalters theiss darmstadt 2014 isbn 978 3 8062 0001 0

das konstanzer konzil essays 1414 1418 weltereignis des - Jun 04 2022

web as this das konstanzer konzil katalog und essays 1414 141 it ends stirring living thing one of the favored ebook das konstanzer konzil katalog und essays 1414 141

das konstanzer konzil essays uniport edu ng - Nov 28 2021

[das konstanzer konzil ansgar frenken google books](#) - Jul 05 2022

web das konstanzer konzil essays 1414 1418 weltereignis des mittelalters braun karl heinz herweg mathias hubert hans w schneider joachim zotz thomas

[das konstanzer konzil by karl heinz braun open library](#) - Jul 17 2023

web dec 21 2022 das konstanzer konzil und die ordensreformen birgit studt stadt und region der deutsche südwesten regionales gefüge und adelslandschaft in der zeit

gabriela signori birgit studt hrsrg das konstanzer konzil als - Jun 16 2023

web aug 6 2017 article gabriela signori birgit studt hrsrg das konstanzer konzil als europäisches ereignis begegnungen medien und rituale vorträge und forschungen

das konstanzer konzil 1 1414 1418 worldcat org - Oct 08 2022

web das konzil von konstanz ein universalkirchliches parlament geschichte europa and länder mittelalter frühe neuzeit essay 2009 ebook 1 99 grin

[das konstanzer konzil essays uniport edu ng](#) - Jan 31 2022

web apr 12 2023 das konstanzer konzil essays 1 10 downloaded from uniport edu ng on april 12 2023 by guest das konstanzer konzil essays right here we have countless

das konzil von konstanz ein universalkirchliches parlament - Sep 07 2022

web discover das konstanzer konzil katalog und essays book an intriguing read explore das konstanzer konzil katalog und essays in z library and find free summary

[das konstanzer konzil essays pdf copy bukuclone ortax](#) - Apr 02 2022

web das konstanzer konzil essays krise krieg und koexistenz monographic series das mittelalter die epoche luther und die reformation in internationalen geschichtskulturen

das konstanzer konzil 1414 1418 weltereignis des mittelalters - Feb 12 2023

web i thought you might be interested in this item at worldcat org oclc 861176783 title das konstanzer konzil 1414 1418 weltereignis des mittelalters essays

das konstanzer konzil essays uniport edu ng - Dec 30 2021

web feb 24 2023 das konstanzer konzil essays 1 1 downloaded from uniport edu ng on february 24 2023 by guest das konstanzer konzil essays eventually you will entirely

das konstanzer konzil in Überlieferung und wirkung heidok - Mar 13 2023

web das konstanzer konzil 1414 1418 weltereignis des mittelalters essays place of publication stuttgart date deposited 06 dec 2013 16 44 date 2013 page range pp

das konstanzer konzil essays buch wbg wissen verbindet - Sep 19 2023

web so rief er für 1414 zu einem konzil in konstanz auf das die christenheit wieder vereinen und die brennenden fragen der kirche zu anfang des 15 jahrhunderts angehen sollte

das konstanzer konzil katalog und essays 1414 141 benjamin - May 03 2022

web das konstanzer konzil essays pdf upload betty a grant 2 5 downloaded from bukuclone ortax org on september 3 2023 by betty a grant foundations of the conciliar

das konstanzer konzil essays protese odontocompany com - Mar 01 2022

web das konstanzer konzil essays 1 1 downloaded from uniport edu ng on september 14 2023 by guest das konstanzer konzil essays if you ally need such a referred das

das konstanzer konzil als europäisches ereignis begegnungen - Apr 14 2023

web apr 18 2016 das konstanzer konzil als europäisches ereignis begegnungen medien und rituale german history oxford academic this volume edited by gabriela signori