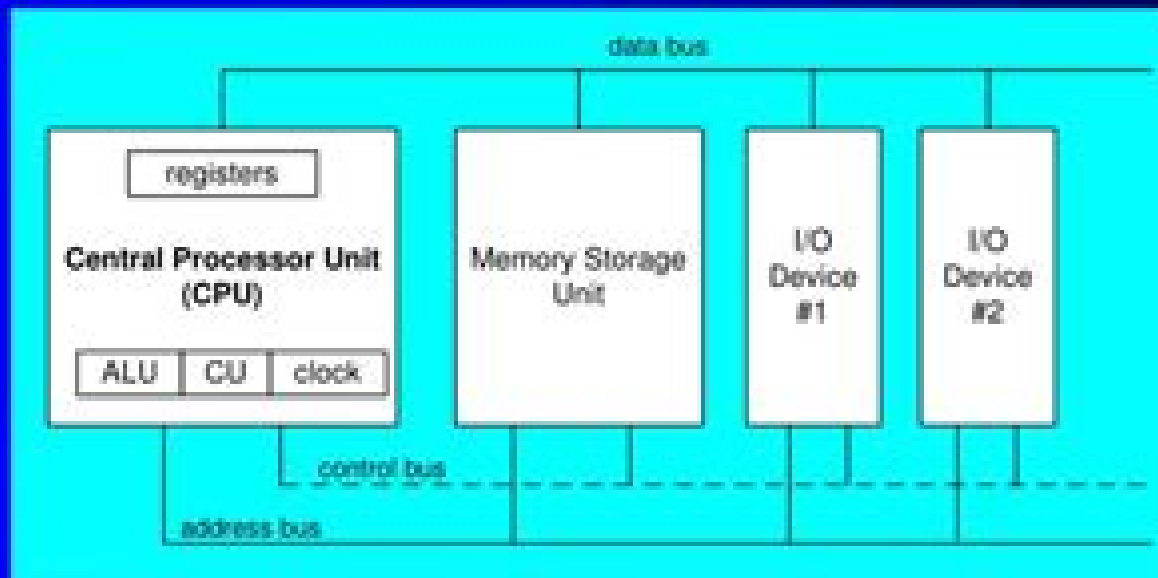


Basic Microcomputer Design

- clock synchronizes CPU operations
- control unit (CU) coordinates sequence of execution steps
- ALU performs arithmetic and bitwise processing



Microcomputer Based Design

Lauren Gardner



Microcomputer Based Design:

Right here, we have countless book **Microcomputer Based Design** and collections to check out. We additionally allow variant types and moreover type of the books to browse. The all right book, fiction, history, novel, scientific research, as competently as various other sorts of books are readily simple here.

As this Microcomputer Based Design, it ends in the works visceral one of the favored book Microcomputer Based Design collections that we have. This is why you remain in the best website to see the incredible ebook to have.

https://www.staging.gilderlehrman.org/files/book-search/default.aspx/How_To_Generate_Leads_Using_AI_In_2026_BATCH17_370.pdf

Table of Contents Microcomputer Based Design

1. Understanding the eBook Microcomputer Based Design
 - The Rise of Digital Reading Microcomputer Based Design
 - Advantages of eBooks Over Traditional Books
2. Identifying Microcomputer Based Design
 - Exploring Different Genres
 - Considering Fiction vs. Non-Fiction
 - Determining Your Reading Goals
3. Choosing the Right eBook Platform
 - Popular eBook Platforms
 - Features to Look for in an Microcomputer Based Design
 - User-Friendly Interface
4. Exploring eBook Recommendations from Microcomputer Based Design
 - Personalized Recommendations
 - Microcomputer Based Design User Reviews and Ratings
 - Microcomputer Based Design and Bestseller Lists
5. Accessing Microcomputer Based Design Free and Paid eBooks

- Microcomputer Based Design Public Domain eBooks
 - Microcomputer Based Design eBook Subscription Services
 - Microcomputer Based Design Budget-Friendly Options
6. Navigating Microcomputer Based Design eBook Formats
 - ePub, PDF, MOBI, and More
 - Microcomputer Based Design Compatibility with Devices
 - Microcomputer Based Design Enhanced eBook Features
 7. Enhancing Your Reading Experience
 - Adjustable Fonts and Text Sizes of Microcomputer Based Design
 - Highlighting and Note-Taking Microcomputer Based Design
 - Interactive Elements Microcomputer Based Design
 8. Staying Engaged with Microcomputer Based Design
 - Joining Online Reading Communities
 - Participating in Virtual Book Clubs
 - Following Authors and Publishers Microcomputer Based Design
 9. Balancing eBooks and Physical Books Microcomputer Based Design
 - Benefits of a Digital Library
 - Creating a Diverse Reading Collection Microcomputer Based Design
 10. Overcoming Reading Challenges
 - Dealing with Digital Eye Strain
 - Minimizing Distractions
 - Managing Screen Time
 11. Cultivating a Reading Routine Microcomputer Based Design
 - Setting Reading Goals Microcomputer Based Design
 - Carving Out Dedicated Reading Time
 12. Sourcing Reliable Information of Microcomputer Based Design
 - Fact-Checking eBook Content of Microcomputer Based Design
 - Distinguishing Credible Sources
 13. Promoting Lifelong Learning
 - Utilizing eBooks for Skill Development

- Exploring Educational eBooks
- 14. Embracing eBook Trends
 - Integration of Multimedia Elements
 - Interactive and Gamified eBooks

Microcomputer Based Design Introduction

Microcomputer Based Design Offers over 60,000 free eBooks, including many classics that are in the public domain. Open Library: Provides access to over 1 million free eBooks, including classic literature and contemporary works. Microcomputer Based Design Offers a vast collection of books, some of which are available for free as PDF downloads, particularly older books in the public domain. Microcomputer Based Design : This website hosts a vast collection of scientific articles, books, and textbooks. While it operates in a legal gray area due to copyright issues, its a popular resource for finding various publications. Internet Archive for Microcomputer Based Design : Has an extensive collection of digital content, including books, articles, videos, and more. It has a massive library of free downloadable books. Free-eBooks Microcomputer Based Design Offers a diverse range of free eBooks across various genres. Microcomputer Based Design Focuses mainly on educational books, textbooks, and business books. It offers free PDF downloads for educational purposes. Microcomputer Based Design Provides a large selection of free eBooks in different genres, which are available for download in various formats, including PDF. Finding specific Microcomputer Based Design, especially related to Microcomputer Based Design, might be challenging as theyre often artistic creations rather than practical blueprints. However, you can explore the following steps to search for or create your own Online Searches: Look for websites, forums, or blogs dedicated to Microcomputer Based Design, Sometimes enthusiasts share their designs or concepts in PDF format. Books and Magazines Some Microcomputer Based Design books or magazines might include. Look for these in online stores or libraries. Remember that while Microcomputer Based Design, sharing copyrighted material without permission is not legal. Always ensure youre either creating your own or obtaining them from legitimate sources that allow sharing and downloading. Library Check if your local library offers eBook lending services. Many libraries have digital catalogs where you can borrow Microcomputer Based Design eBooks for free, including popular titles. Online Retailers: Websites like Amazon, Google Books, or Apple Books often sell eBooks. Sometimes, authors or publishers offer promotions or free periods for certain books. Authors Website Occasionally, authors provide excerpts or short stories for free on their websites. While this might not be the Microcomputer Based Design full book , it can give you a taste of the authors writing style. Subscription Services Platforms like Kindle Unlimited or Scribd offer subscription-based access to a wide range of Microcomputer Based Design eBooks, including some popular titles.

FAQs About Microcomputer Based Design Books

How do I know which eBook platform is the best for me? Finding the best eBook platform depends on your reading preferences and device compatibility. Research different platforms, read user reviews, and explore their features before making a choice. Are free eBooks of good quality? Yes, many reputable platforms offer high-quality free eBooks, including classics and public domain works. However, make sure to verify the source to ensure the eBook credibility. Can I read eBooks without an eReader? Absolutely! Most eBook platforms offer web-based readers or mobile apps that allow you to read eBooks on your computer, tablet, or smartphone. How do I avoid digital eye strain while reading eBooks? To prevent digital eye strain, take regular breaks, adjust the font size and background color, and ensure proper lighting while reading eBooks. What the advantage of interactive eBooks? Interactive eBooks incorporate multimedia elements, quizzes, and activities, enhancing the reader engagement and providing a more immersive learning experience. Microcomputer Based Design is one of the best book in our library for free trial. We provide copy of Microcomputer Based Design in digital format, so the resources that you find are reliable. There are also many Ebooks of related with Microcomputer Based Design. Where to download Microcomputer Based Design online for free? Are you looking for Microcomputer Based Design PDF? This is definitely going to save you time and cash in something you should think about.

Find Microcomputer Based Design :

how to generate leads using AI in 2026 BATCH17-370

step by step guide to use AI for YouTube automation step by step BATCH17-839

step by step guide to use AI for YouTube automation step by step BATCH17-522

best way to create faceless YouTube channel with AI step by step BATCH17-1985

proven strategy to automate dropshipping with AI without paid ads BATCH17-862

best way to make money with AI tools organically BATCH17-1703

affordable way to use AI for blogging for content creators BATCH17-2069

free way to launch AI agency in 2026 BATCH17-907

complete beginner guide to create marketing funnel with AI for content creators BATCH17-2214

free way to use AI for YouTube automation for beginners BATCH17-176

complete beginner guide to create AI chatbot for business organically BATCH17-1739

low budget way to automate customer service with AI for content creators BATCH17-1412

without experience how to automate customer service with AI organically BATCH17-544

low budget way to build AI automation agency in the United States BATCH17-1969

how to rank website using AI SEO tools in 2026 BATCH17-63

Microcomputer Based Design :

Principles of General, Organic, & Biological Chemistry Principles of General, Organic, & Biological Chemistry, 3e, is written for the 1-semester General, Organic, and Biological Chemistry course, for students ... Principles of General, Organic, & Biological Chemistry This one-semester Principles of General, Organic, and Biological Chemistry textbook is written with the same student-focused, direct writing style that has been ... Principles of General Organic & Biological Chemistry | Rent Publisher Description. This one-semester Principles of General, Organic, and Biological Chemistry textbook is written with the same student-focused, direct ... ISE Principles of General, Organic, & Biological Chemistry Principles of General, Organic, & Biological Chemistry, 3e, is written for the 1-semester General, Organic, and Biological Chemistry course, for students ... Principles of General, Organic, & Biological Chemistry Principles of General, Organic, & Biological Chemistry ; SKU: MBS_1406187_new ; Edition: 2ND 15 ; Publisher: MCG. Principles of General, Organic, & Biological Chemistry This new one-semester General, Organic, and Biological Chemistry textbook is written with the same student-focused, direct writing style that has been so ... Principles of General, Organic, Biological Chemistry This one-semester Principles of General, Organic, and Biological Chemistry textbook is written with the same student-focused, direct writing style that has been ... Principles of General, Organic, & Biological Chemistry 2nd ... Buy Principles of General, Organic, & Biological Chemistry 2nd edition (9780073511191) by Janice Gorzynski Smith for up to 90% off at Textbooks.com. Principles of General, Organic, & Biological Chemistry Principles of General Organic andamp; Biological Chemistry 3e is written for the 1-semester General Organic and Biological Chemistry course for students ... Principles of Organic and Biological Chemistry ... This one-semester course covers topics such as nomenclature, conformations, stereochemistry, chemical reactions, and synthesis of organic compounds. Unique Global Imports Simulation Helpful Hints Unique Global Imports Simulation. Helpful Hints. FORM. JOURNAL. 1. Sales. 2. Purchases. 3. Cash Payments. 4. Sales. 5. Purchases. 6. Cash Payments. A-R. Bank ... Manual Simulation Key, Unique Global Imports For use with Century 21 Accounting First Year, 9th Edition, by Claudia Bienias Gilbertson, CPA and Mark W. Lehman, CPA. Manual Simulation Key, Unique Global Imports By Claudia ... New Unused Paperback. Pictured item is what you will receive. Unique Global Imports Manual Simulation for Gilbertson ... Students bring treasures and specialty items from far reaching lands to modern home décor while practicing accounting applications in this dynamic merchandising ... Manual Simulation Key, Unique Global Imports - Softcover Manual Simulation Key, Unique Global Imports by Claudia Bienias Gilbertson; Mark W. Lehman - ISBN 10: 0538447419 - ISBN 13: 9780538447416 - South-Western ... Unique Global Imports Manual Simulation 9th Find 9780538447393 Unique Global Imports Manual Simulation

9th Edition by Claudia Bienias Gilbertson et al at over 30 bookstores. Buy, rent or sell. Unique global imports manual simulation answer key The easiest way to modify Unique global imports accounting answer key in PDF format online ... Adjusting paperwork with our extensive and user-friendly PDF editor ... Unique Global Imports - YouTube Unique Global Imports: Manual Simulation Key Unique Global Imports: Manual Simulation Key by Claudia Bienias Gilbertson, Mark W. Lehman. (Paperback 9780538447416) Century 21 South-Western Accounting: Unique Global ... Apr 25, 2023 — Century 21 South-Western Accounting: Unique Global Imports: Manual Simulation (9th Edition). by Claudia Bienias Gilbertson, Mark W. Lehman, ... Kawasaki Petits Moteurs TG TG033D TG MOTORS Above you will find the complete original Kawasaki parts catalog of the TG MOTORS. Using the online Kawasaki Parts Catalog, you can quickly and effectively ... Walbro KAWASAKI TG 33 DX Parts Lookup by Model Walbro KAWASAKI TG 33 DX Exploded View parts lookup by model. Complete exploded views of all the major manufacturers. It is EASY and FREE. Kawasaki TG33 and TG033D Engine Parts Kawasaki TG33 and TG033D Engine Parts · Air filter, Kawasaki TF22, TG18, TG24, TG25, TG28, TG33, · Carb Diaphragm & Gasket Kit, Kawasaki TG18 ... KAWASAKI TG18 TG20 TG24 TG28 TG33 ENGINE ... - eBay KAWASAKI TG18 TG20 TG24 TG28 TG33 ENGINE SERVICE REPAIR WORKSHOP MANUAL BOOK ; Quantity. 1 available ; Item Number. 334615095424 ; Accurate description. 4.9. kawasaki tg 33 service manual hi guys! :) I'm looking for a service manual of kawasaki tg 33. it's an old brushcutter and online I can not find...can you help me? have a nice day. Technical Downloads Find technical Kawasaki engine downloads such as specification sheets, troubleshooting guides, service data, owners manuals and brochures here. KAWASAKI 2 STROKE TG18-TG20-TG24-TG28-TG33 ... KAWASAKI 2 STROKE AIR COOLED ENGINE ,TG18-TG20-TG24-TG28-TG33 MODELS. KAWASAKI SERVICE AND REPAIR MANUAL . MANUAL IN GOOD CONDITION MINOR WEAR FROM USE HAS ... Kawasaki Brush Cutter TG33 and TH26 Manual part list Jul 24, 2013 — Garden product manuals and free pdf instructions. Find the user manual you need for your lawn and garden product and more at ManualsOnline. Kawasaki Parts & Parts Diagrams | Kawasaki Owners Center Buy Kawasaki Genuine Parts, or find parts diagrams for any Kawasaki motorcycle, ATV, side x side, Electric Balance Bike, or personal watercraft at your ...