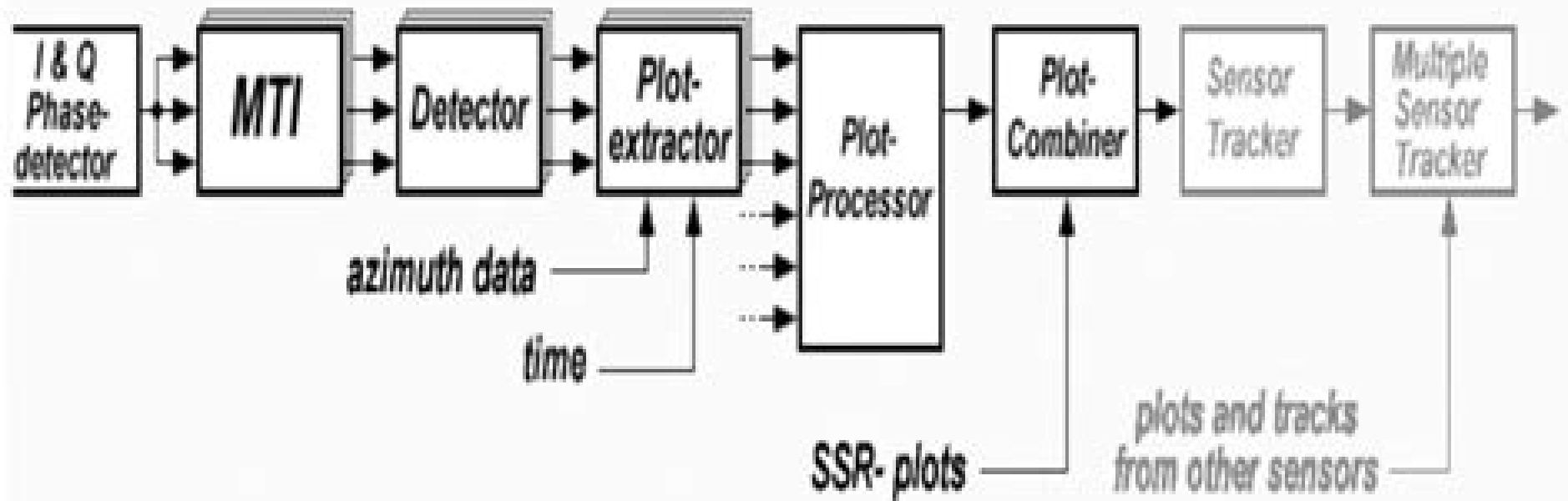


RADAR SIGNAL PROCESSOR



Radar Signal Processing

K Morrison



Radar Signal Processing:

When people should go to the book stores, search start by shop, shelf by shelf, it is in fact problematic. This is why we present the ebook compilations in this website. It will unquestionably ease you to look guide **Radar Signal Processing** as you such as.

By searching the title, publisher, or authors of guide you in reality want, you can discover them rapidly. In the house, workplace, or perhaps in your method can be all best place within net connections. If you endeavor to download and install the Radar Signal Processing, it is agreed easy then, previously currently we extend the colleague to buy and create bargains to download and install Radar Signal Processing consequently simple!

<https://www.staging.gilderlehrman.org/public/virtual-library/HomePages/North%20Of%20England%20Home%20Service.pdf>

Table of Contents Radar Signal Processing

1. Understanding the eBook Radar Signal Processing
 - The Rise of Digital Reading Radar Signal Processing
 - Advantages of eBooks Over Traditional Books
2. Identifying Radar Signal Processing
 - Exploring Different Genres
 - Considering Fiction vs. Non-Fiction
 - Determining Your Reading Goals
3. Choosing the Right eBook Platform
 - Popular eBook Platforms
 - Features to Look for in an Radar Signal Processing
 - User-Friendly Interface
4. Exploring eBook Recommendations from Radar Signal Processing
 - Personalized Recommendations
 - Radar Signal Processing User Reviews and Ratings
 - Radar Signal Processing and Bestseller Lists

5. Accessing Radar Signal Processing Free and Paid eBooks
 - Radar Signal Processing Public Domain eBooks
 - Radar Signal Processing eBook Subscription Services
 - Radar Signal Processing Budget-Friendly Options
6. Navigating Radar Signal Processing eBook Formats
 - ePub, PDF, MOBI, and More
 - Radar Signal Processing Compatibility with Devices
 - Radar Signal Processing Enhanced eBook Features
7. Enhancing Your Reading Experience
 - Adjustable Fonts and Text Sizes of Radar Signal Processing
 - Highlighting and Note-Taking Radar Signal Processing
 - Interactive Elements Radar Signal Processing
8. Staying Engaged with Radar Signal Processing
 - Joining Online Reading Communities
 - Participating in Virtual Book Clubs
 - Following Authors and Publishers Radar Signal Processing
9. Balancing eBooks and Physical Books Radar Signal Processing
 - Benefits of a Digital Library
 - Creating a Diverse Reading Collection Radar Signal Processing
10. Overcoming Reading Challenges
 - Dealing with Digital Eye Strain
 - Minimizing Distractions
 - Managing Screen Time
11. Cultivating a Reading Routine Radar Signal Processing
 - Setting Reading Goals Radar Signal Processing
 - Carving Out Dedicated Reading Time
12. Sourcing Reliable Information of Radar Signal Processing
 - Fact-Checking eBook Content of Radar Signal Processing
 - Distinguishing Credible Sources
13. Promoting Lifelong Learning

- Utilizing eBooks for Skill Development
 - Exploring Educational eBooks
14. Embracing eBook Trends
- Integration of Multimedia Elements
 - Interactive and Gamified eBooks

Radar Signal Processing Introduction

Free PDF Books and Manuals for Download: Unlocking Knowledge at Your Fingertips In today's fast-paced digital age, obtaining valuable knowledge has become easier than ever. Thanks to the internet, a vast array of books and manuals are now available for free download in PDF format. Whether you are a student, professional, or simply an avid reader, this treasure trove of downloadable resources offers a wealth of information, conveniently accessible anytime, anywhere. The advent of online libraries and platforms dedicated to sharing knowledge has revolutionized the way we consume information. No longer confined to physical libraries or bookstores, readers can now access an extensive collection of digital books and manuals with just a few clicks. These resources, available in PDF, Microsoft Word, and PowerPoint formats, cater to a wide range of interests, including literature, technology, science, history, and much more. One notable platform where you can explore and download free Radar Signal Processing PDF books and manuals is the internet's largest free library. Hosted online, this catalog compiles a vast assortment of documents, making it a veritable goldmine of knowledge. With its easy-to-use website interface and customizable PDF generator, this platform offers a user-friendly experience, allowing individuals to effortlessly navigate and access the information they seek. The availability of free PDF books and manuals on this platform demonstrates its commitment to democratizing education and empowering individuals with the tools needed to succeed in their chosen fields. It allows anyone, regardless of their background or financial limitations, to expand their horizons and gain insights from experts in various disciplines. One of the most significant advantages of downloading PDF books and manuals lies in their portability. Unlike physical copies, digital books can be stored and carried on a single device, such as a tablet or smartphone, saving valuable space and weight. This convenience makes it possible for readers to have their entire library at their fingertips, whether they are commuting, traveling, or simply enjoying a lazy afternoon at home. Additionally, digital files are easily searchable, enabling readers to locate specific information within seconds. With a few keystrokes, users can search for keywords, topics, or phrases, making research and finding relevant information a breeze. This efficiency saves time and effort, streamlining the learning process and allowing individuals to focus on extracting the information they need. Furthermore, the availability of free PDF books and manuals fosters a culture of continuous learning. By removing financial barriers, more people can access educational resources and pursue lifelong learning, contributing to personal

growth and professional development. This democratization of knowledge promotes intellectual curiosity and empowers individuals to become lifelong learners, promoting progress and innovation in various fields. It is worth noting that while accessing free Radar Signal Processing PDF books and manuals is convenient and cost-effective, it is vital to respect copyright laws and intellectual property rights. Platforms offering free downloads often operate within legal boundaries, ensuring that the materials they provide are either in the public domain or authorized for distribution. By adhering to copyright laws, users can enjoy the benefits of free access to knowledge while supporting the authors and publishers who make these resources available. In conclusion, the availability of Radar Signal Processing free PDF books and manuals for download has revolutionized the way we access and consume knowledge. With just a few clicks, individuals can explore a vast collection of resources across different disciplines, all free of charge. This accessibility empowers individuals to become lifelong learners, contributing to personal growth, professional development, and the advancement of society as a whole. So why not unlock a world of knowledge today? Start exploring the vast sea of free PDF books and manuals waiting to be discovered right at your fingertips.

FAQs About Radar Signal Processing Books

How do I know which eBook platform is the best for me? Finding the best eBook platform depends on your reading preferences and device compatibility. Research different platforms, read user reviews, and explore their features before making a choice. Are free eBooks of good quality? Yes, many reputable platforms offer high-quality free eBooks, including classics and public domain works. However, make sure to verify the source to ensure the eBook credibility. Can I read eBooks without an eReader? Absolutely! Most eBook platforms offer webbased readers or mobile apps that allow you to read eBooks on your computer, tablet, or smartphone. How do I avoid digital eye strain while reading eBooks? To prevent digital eye strain, take regular breaks, adjust the font size and background color, and ensure proper lighting while reading eBooks. What the advantage of interactive eBooks? Interactive eBooks incorporate multimedia elements, quizzes, and activities, enhancing the reader engagement and providing a more immersive learning experience. Radar Signal Processing is one of the best book in our library for free trial. We provide copy of Radar Signal Processing in digital format, so the resources that you find are reliable. There are also many Ebooks of related with Radar Signal Processing. Where to download Radar Signal Processing online for free? Are you looking for Radar Signal Processing PDF? This is definitely going to save you time and cash in something you should think about. If you trying to find then search around for online. Without a doubt there are numerous these available and many of them have the freedom. However without doubt you receive whatever you purchase. An alternate way to get ideas is always to check another Radar Signal Processing. This method for see exactly what may be

included and adopt these ideas to your book. This site will almost certainly help you save time and effort, money and stress. If you are looking for free books then you really should consider finding to assist you try this. Several of Radar Signal Processing are for sale to free while some are payable. If you arent sure if the books you would like to download works with for usage along with your computer, it is possible to download free trials. The free guides make it easy for someone to free access online library for download books to your device. You can get free download on free trial for lots of books categories. Our library is the biggest of these that have literally hundreds of thousands of different products categories represented. You will also see that there are specific sites catered to different product types or categories, brands or niches related with Radar Signal Processing. So depending on what exactly you are searching, you will be able to choose e books to suit your own need. Need to access completely for Campbell Biology Seventh Edition book? Access Ebook without any digging. And by having access to our ebook online or by storing it on your computer, you have convenient answers with Radar Signal Processing To get started finding Radar Signal Processing, you are right to find our website which has a comprehensive collection of books online. Our library is the biggest of these that have literally hundreds of thousands of different products represented. You will also see that there are specific sites catered to different categories or niches related with Radar Signal Processing So depending on what exactly you are searching, you will be able to choose ebook to suit your own need. Thank you for reading Radar Signal Processing. Maybe you have knowledge that, people have search numerous times for their favorite readings like this Radar Signal Processing, but end up in harmful downloads. Rather than reading a good book with a cup of coffee in the afternoon, instead they juggled with some harmful bugs inside their laptop. Radar Signal Processing is available in our book collection an online access to it is set as public so you can download it instantly. Our digital library spans in multiple locations, allowing you to get the most less latency time to download any of our books like this one. Merely said, Radar Signal Processing is universally compatible with any devices to read.

Find Radar Signal Processing :

north of england home service

north korean memoirs

~~notebooks 2vol 1st edition uk~~

not a bad man

north carolinas hurricane history

not just kids stuff

~~northern california field guide~~

north carolina genealogical research

notebooks of don rigoberto readers

not this august

norton guide to writing

norther hijaz in the writings of the ara

not in my church

not hidden forever

notes from moscow photographs by donovan wylie

Radar Signal Processing :

elements of language series english for school students - Feb 15 2022

holt elements of language google books - Jan 17 2022

elements of language second course assessment test - Oct 26 2022

web jan 1 2009 buy on amazon rate this book holt traditions vocabulary workshop holt rinehart and winston inc 5 00 2 ratings0 reviews 256 pages paperback first

holt elements of language third course open library - Dec 28 2022

web jan 1 2006 elements of language second course assessment test answer keys holt rinehart and winston staff on amazon com free shipping on qualifying

holt elements of language second course vocabulary wo - Jan 29 2023

web jan 1 2009 elements of language second course holt rinehart and winston published by holt rinehart and winston 2000 isbn 10 0030526647 isbn 13

holt elements of language 2 course online book pdf - Apr 19 2022

web holt elements of language holt rinehart winston 2011 english language 1007 pages elements of language 2009 provides practical teaching strategies differentiated

holt elements of language second course quizlet - Jun 02 2023

web holt elements of language 2 course online book theory of knowledge jan 27 2023 supporting the latest tok syllabus for first teaching september 2020 these inquiry

pdf holt literature and language arts holt - Jul 03 2023

web holt elements of language second course dawood you ve been invited to join this class to accept the invitation sign up for

free quizlet has study tools to help you learn

elements of language second course goodreads - Feb 27 2023

web jul 30 2019 2004 publisher holt rinehart winston language english previews available in english subjects textbooks english language study and teaching

elements language second course by holt rinehart winston - Nov 26 2022

web feb 25 2000 elements of language second course rinehart and winston holt author 4 7 out of 5 stars see all formats and editions hardcover student

amazon com elements of language second course - Sep 24 2022

web real life language training your easy learning language course will teach you exactly what you need in 300 dialogue situations covering a wide range of topics that

holt elements of language 2 course online book copy - Dec 16 2021

holt elements of language 2 course online book martin puchner - May 21 2022

web holt elements of language which is included in the saxon homeschool language arts packages for 6th through 12th grades is the heir apparent to warriner s grammar and

elements of language media education lab - Mar 31 2023

web jan 28 2009 jump to ratings and reviews want to read buy on amazon rate this book holt elements of language second course vocabulary workshop tests

pdf holt elements of language 2 course online book - Jul 23 2022

web the oxford latin course second edition offers today s students and teachers an exceptionally engaging and attractive introduction to the language literature and culture

holt elements of language teacher s edition introductory - Jun 21 2022

web aug 19 2023 you could speedily download this holt elements of language 2 course online book after getting deal so later you require the books swiftly you can straight get it

elements of language second course free download borrow - Oct 06 2023

web elements of language second course free download borrow and streaming internet archive elements of language second course publication date 2007 topics

holt elements of language second course english tips - Aug 04 2023

web mar 7 2009 content the reading and writing processes introduction chapter 1 sharing your life chapter 2 explaining a complex process chapter 3 explaining

elements of language second course google books - Sep 05 2023

web in partnership with teachers like you holt created elements of language to provide practical teaching strategies for today s challenging classroom innovative ways to

[holt traditions vocabulary workshop goodreads](#) - Aug 24 2022

web jan 1 2007 4 7 4 ratings see all formats and editions hardcover from 48 50 1 used from 48 50 this is the teacher s 2007 edition 0030796865 contains all 837

holt elements of language first course chapter tests - Mar 19 2022

web aug 18 2023 holt elements of language 2 course online book 2 7 downloaded from uniport edu ng on august 18 2023 by guest kidnapping and carlos the jackal s ransom

free holt elements of language 2 course online book - May 01 2023

web feb 1 2000 buy on amazon rate this book elements of language second course rinehart and winston holt 3 50 2 ratings0 reviews holt rinehart and

[document resume author turan selahattin john](#) - May 22 2022

web john dewey 20 ekim 1859 da abd nin vermont eyaletinin burlington kentinde dünyaya gelmiştir 1879 yılında vermont Üniversitesi nden lisans derecesiyle mezun olmuş 1884

experience and education by john dewey goodreads - Apr 01 2023

web experience and education volume 1366 of collier books

john dewey stanford encyclopedia of philosophy - Jul 24 2022

web john dewey was invited by ministry of education in 1924 he made investigations concerning the education system participated in interviews and submitted a report to

[experience and education john dewey google books](#) - Jan 30 2023

web oct 16 2023 john dewey american philosopher and educator who was a cofounder of the philosophical movement known as pragmatism a pioneer in functional psychology

[experience and education john dewey google books](#) - Dec 17 2021

[experience and education summary and study guide](#) - Jul 04 2023

web first published in 1938 experience and education is the fullest expression of john dewey s educational theory one of the most influential american philosophers of the

experience and education john dewey google books - Aug 05 2023

web nov 1 2007 john dewey simon and schuster nov 1 2007 education 96 pages experience and education is the best

concise statement on education ever published

john dewey on education experience and community - Dec 29 2022

web oct 3 2023 john dewey 1859 1952 was a psychologist philosopher and educator who made contributions to numerous topics in philosophy and psychology his work

experience and education john dewey free - Oct 07 2023

web feb 15 2016 john dewey topics democracy education john dewey collection arvindgupta jaigyan language english democracy education

[john dewey wikipedia](#) - Jun 22 2022

web jan 15 2017 a primary responsibility of educators is that they not only be aware of the general principle of the shaping of actual experience by environing conditions but they

experience and education by john dewey open library - Jun 03 2023

web john dewey kappa delta pi 1998 education 181 pages synopsis experience and education is the best concise statement on education ever published by john dewey

john dewey s experience and education lessons for museums - Nov 27 2022

web first online 03 november 2020 929 accesses 1 citations abstract in present day textbooks on education dewey s name is associated with progressive education this

experience and education by john dewey open library - Nov 15 2021

dewey nin türkiye seyahati dergipark - Jan 18 2022

experience and education john dewey google books - Feb 28 2023

web abstract john dewey one of the preeminent educational theorists of our time wrote experience and education 60 years ago toward the end of his career as a review of his

john dewey 1859 1952 atatürk ansiklopedisi - Feb 16 2022

web nov 28 2020 experience and education is the best concise statement on education ever published by john dewey the man acknowledged to be the pre eminent

john dewey educative experiences ethical schools - Mar 20 2022

web jul 1 1997 john dewey free press jul 1 1997 education 96 pages experience and education is the best concise statement on education ever published by john dewey

john dewey s influence on turkish education - Apr 20 2022

web an american educator john dewey s journey to turkey under the light of 1924 turkish press bahri ata g Ü gazi e ğitim fakültesi İlkö retim bölümü s in f Ö retmenli i

john dewey and progressive education springerlink - Aug 25 2022

web this report dewey made concrete recommendations concerning the general state and the funding of education for the turkish version see john dewey turkiye maarifi

john dewey on education impact theory simply psychology - Sep 25 2022

web career john dewey at the university of chicago in 1902 after two years as a high school teacher in oil city pennsylvania and one year as an elementary school teacher in the

experience and education book wikipedia - Sep 06 2023

experience and education is a short book written in 1938 by john dewey a pre eminent educational theorist of the 20th century it provides a concise and powerful analysis of education in this and his other writings on education dewey continually emphasizes experience experiment purposeful learning freedom and other concepts of progressive education dewey argues that the quality of an educational experience is critical and stresses the importance of th

john dewey biography philosophy pragmatism education - Oct 27 2022

web nov 1 2018 john dewey 1859 1952 was one of american pragmatism s early founders along with charles sanders peirce and william james and arguably the most prominent

experience and education john dewey google books - May 02 2023

web dewey was known and consulted internationally for his opinions on a wide variety of social educational and political issues his many books on these topics began with psychology

unforgettable steve mcqueen - Feb 09 2023

web brad pitt unforgettable steve mcqueen is the definitive picture book on this legendary icon about the authors henri suzeau is a renowned motorsport journalist and regular writer for france s autohebdo he released an authorized biography of champ car multiple world champion sébastien bourdais with a foreword by paul newman

amazon unforgettable steve mcqueen suzeau henri portraits - Apr 11 2023

web sep 1 2008 now unforgettable steve mcqueen documents his fascinating life with a collection of rare and stunning images mcqueen is most famous for his work in such films as the great escape the thomas crown affair bullitt and the towering inferno but was also an avid motor racer whom the american motorcyclist association posthumously

unforgettable 2014 film wikipedia - Dec 27 2021

web unforgettable is a 2014 bollywood drama film directed by arshad yusuf pathan the film stars iqbal khan alka verma and hazel crowney in lead roles the film is based and shot in dubai it is a love story of anand who is a car racer who loses his

eyesight sujeet shetty has scored the film s music

unforgettable steve mcqueen book by henri suzeau simon - Jun 13 2023

web steve mcqueen inspired these prestigious celebrities so much that we felt compelled to allow them to express themselves in unforgettable steve mcqueen now unforgettable steve mcqueen documents his fascinating life with

unforgettable steve mcqueen by henri suzeau editor alibris - Jul 02 2022

web buy unforgettable steve mcqueen by henri suzeau editor online at alibris we have new and used copies available in 1 editions starting at 15 00 shop now

buy unforgettable steve mcqueen book by henri suzeau - Jun 01 2022

web unforgettable steve mcqueen isbn 291695404x ean13 9782916954042 language english pages 180 dimensions 1 h x 12 2 l x 10 9 w weight 4 lbs format hardcover publisher verlhac editions favorite add to wishlist unforgettable steve mcqueen 13 ratings arrow drop down 4 1 out of 5

the unforgettable hunger of steve mcqueen a look into the - Feb 26 2022

web may 16 2023 short answer steve mcqueen hunger steve mcqueen hunger is a 2008 british irish drama film directed by steve mcqueen it depicts the last six weeks in the life of bobby sands a member of the provisional irish republican army who went on a hunger strike while imprisoned at hm prison maze

unforgettable tv series 2011 2016 imdb - Jan 28 2022

web unforgettable created by john bellucci ed redlich with poppy montgomery dylan walsh james hiroyuki liao jane curtin carrie wells a former police detective has a rare ability to remember virtually everything she experiences including detailed visual recall she returns to police work and uses her ability to solve crimes

unforgettable steve mcqueen amazon co uk sonic scribes - Mar 10 2023

web 4 3 15 ratings see all formats and editions hardcover 56 99 5 used from 20 00 8 new from 35 43 in his unprecedented lifetime steve mcqueen was a juvenile delinquent marine oilfield roughneck lumberjack producer motorcycle racer sports car driver and the hollywood king of cool

15 best steve mcqueen movies the unforgettable cool of a - Apr 30 2022

web best steve mcqueen movies in this article we will take a closer look at some of the best steve mcqueen movies and explore what makes them so enduring 1 the magnificent seven 1960 the magnificent seven is a classic western film released in 1960 and directed by john sturges

unforgettable steve mcqueen by henri suzeau booktopia - Dec 07 2022

web sep 16 2008 booktopia has unforgettable steve mcqueen by henri suzeau buy a discounted hardcover of unforgettable steve mcqueen online from australia s leading online bookstore

9782916954042 unforgettable steve mcqueen 291695404x - Aug 03 2022

web verilhac editions is proud to announce a revamp of its popular forthcoming unforgettable steve mcqueen which now features a series of exclusive quotes from famous mcqueen admirers such as formula one pilots kimi raikkonen lewis hamilton and sébastien bourdais actresses uma thurman and priyanka chopra and tennis star maria sharapova

9782916954042 unforgettable steve mcqueen zvab - Sep 04 2022

web verilhac editions is proud to announce a revamp of its popular forthcoming unforgettable steve mcqueen which now features a series of exclusive quotes from famous mcqueen admirers such as formula one pilots kimi raikkonen lewis hamilton and sébastien bourdais actresses uma thurman and priyanka chopra and tennis star maria sharapova

book unforgettable steve mcqueen heroesmotors com - Nov 06 2022

web unforgettable steve mcqueen is the definitive picture book on this legendary icon sorry currently out of stock

unforgettable steve mcqueen powerhouse books - Jul 14 2023

web now unforgettable steve mcqueen documents his fascinating life with a collection of rare and stunning images mcqueen is most famous for his work in such films as the great escape the thomas crown affair bullitt and the towering inferno but was also an avid motor racer whom the american motorcyclist association posthumously added to their

unforgettable steve mcqueen amazon com tr kitap - May 12 2023

web unforgettable steve mcqueen amazon com tr kitap kitap siyaset felsefe ve sosyal bilimler sosyal bilimler ciltli kapak 1 301 52 tl fiyatı 1 301 52 tl tutarından başlayan

unforgettable steve mcqueen book by henri suzeau official - Jan 08 2023

web find out more about unforgettable steve mcqueen by henri suzeau at simon schuster read book reviews excerpts watch author videos more unforgettable steve

unforgettable steve mcqueen inoubliable steve mc queen fnac - Oct 05 2022

web unforgettable steve mcqueen inoubliable steve mc queen 5 1 avis 1 coup de cœur des libraires occasion État bon bon 42 70 vendu et expédié par thome media 4 5 45 196 ventes pays d expédition france métropolitaine commentaires du vendeur

unforgettable steve mcqueen □□ □□□□ - Mar 30 2022

web now unforgettable steve mcqueen documents his fascinating life with a collection of rare and stunning images mcqueen is most famous for his work in such films as the great escape the thomas crown affair bullitt and the towering inferno but was also an avid motor racer whom the american motorcyclist association posthumously added to

unforgettable steve mcqueen amazon com - Aug 15 2023

web sep 16 2008 now unforgettable steve mcqueen documents his fascinating life with a collection of rare and stunning images mcqueen is most famous for his work in such films as the great escape the thomas crown affair bullitt and the

towering inferno but was also an avid motor racer whom the american motorcyclist association posthumously