

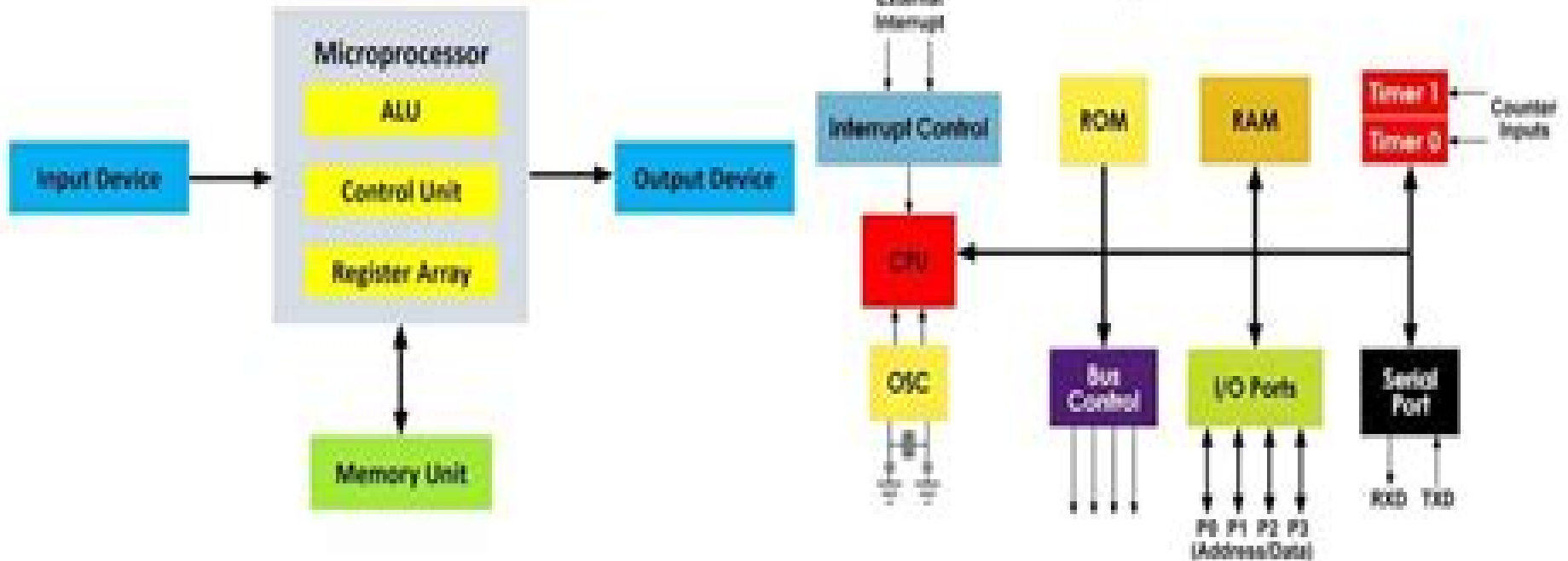
Microprocessor



Microcontroller



VS



Microprocessor System Design Concepts

B Lingard



Microprocessor System Design Concepts:

This is likewise one of the factors by obtaining the soft documents of this **Microprocessor System Design Concepts** by online. You might not require more era to spend to go to the book launch as well as search for them. In some cases, you likewise complete not discover the publication Microprocessor System Design Concepts that you are looking for. It will enormously squander the time.

However below, once you visit this web page, it will be thus definitely easy to acquire as competently as download guide Microprocessor System Design Concepts

It will not tolerate many period as we accustom before. You can realize it even though deed something else at house and even in your workplace. thus easy! So, are you question? Just exercise just what we present below as capably as evaluation **Microprocessor System Design Concepts** what you in the manner of to read!

https://www.staging.gilderlehrman.org/book/uploaded-files/HomePages/Low_Budget_Way_To_Make_Money_With_AI_Tools_That_Actually_Works_BATCH67_1912.pdf

Table of Contents Microprocessor System Design Concepts

1. Understanding the eBook Microprocessor System Design Concepts
 - The Rise of Digital Reading Microprocessor System Design Concepts
 - Advantages of eBooks Over Traditional Books
2. Identifying Microprocessor System Design Concepts
 - Exploring Different Genres
 - Considering Fiction vs. Non-Fiction
 - Determining Your Reading Goals
3. Choosing the Right eBook Platform
 - Popular eBook Platforms
 - Features to Look for in an Microprocessor System Design Concepts
 - User-Friendly Interface

4. Exploring eBook Recommendations from Microprocessor System Design Concepts
 - Personalized Recommendations
 - Microprocessor System Design Concepts User Reviews and Ratings
 - Microprocessor System Design Concepts and Bestseller Lists
5. Accessing Microprocessor System Design Concepts Free and Paid eBooks
 - Microprocessor System Design Concepts Public Domain eBooks
 - Microprocessor System Design Concepts eBook Subscription Services
 - Microprocessor System Design Concepts Budget-Friendly Options
6. Navigating Microprocessor System Design Concepts eBook Formats
 - ePub, PDF, MOBI, and More
 - Microprocessor System Design Concepts Compatibility with Devices
 - Microprocessor System Design Concepts Enhanced eBook Features
7. Enhancing Your Reading Experience
 - Adjustable Fonts and Text Sizes of Microprocessor System Design Concepts
 - Highlighting and Note-Taking Microprocessor System Design Concepts
 - Interactive Elements Microprocessor System Design Concepts
8. Staying Engaged with Microprocessor System Design Concepts
 - Joining Online Reading Communities
 - Participating in Virtual Book Clubs
 - Following Authors and Publishers Microprocessor System Design Concepts
9. Balancing eBooks and Physical Books Microprocessor System Design Concepts
 - Benefits of a Digital Library
 - Creating a Diverse Reading Collection Microprocessor System Design Concepts
10. Overcoming Reading Challenges
 - Dealing with Digital Eye Strain
 - Minimizing Distractions
 - Managing Screen Time
11. Cultivating a Reading Routine Microprocessor System Design Concepts
 - Setting Reading Goals Microprocessor System Design Concepts
 - Carving Out Dedicated Reading Time

-
12. Sourcing Reliable Information of Microprocessor System Design Concepts
 - Fact-Checking eBook Content of Microprocessor System Design Concepts
 - Distinguishing Credible Sources
 13. Promoting Lifelong Learning
 - Utilizing eBooks for Skill Development
 - Exploring Educational eBooks
 14. Embracing eBook Trends
 - Integration of Multimedia Elements
 - Interactive and Gamified eBooks

Microprocessor System Design Concepts Introduction

In the digital age, access to information has become easier than ever before. The ability to download Microprocessor System Design Concepts has revolutionized the way we consume written content. Whether you are a student looking for course material, an avid reader searching for your next favorite book, or a professional seeking research papers, the option to download Microprocessor System Design Concepts has opened up a world of possibilities. Downloading Microprocessor System Design Concepts provides numerous advantages over physical copies of books and documents. Firstly, it is incredibly convenient. Gone are the days of carrying around heavy textbooks or bulky folders filled with papers. With the click of a button, you can gain immediate access to valuable resources on any device. This convenience allows for efficient studying, researching, and reading on the go. Moreover, the cost-effective nature of downloading Microprocessor System Design Concepts has democratized knowledge. Traditional books and academic journals can be expensive, making it difficult for individuals with limited financial resources to access information. By offering free PDF downloads, publishers and authors are enabling a wider audience to benefit from their work. This inclusivity promotes equal opportunities for learning and personal growth. There are numerous websites and platforms where individuals can download Microprocessor System Design Concepts. These websites range from academic databases offering research papers and journals to online libraries with an expansive collection of books from various genres. Many authors and publishers also upload their work to specific websites, granting readers access to their content without any charge. These platforms not only provide access to existing literature but also serve as an excellent platform for undiscovered authors to share their work with the world. However, it is essential to be cautious while downloading Microprocessor System Design Concepts. Some websites may offer pirated or illegally obtained copies of copyrighted material. Engaging in such activities not only violates copyright laws but also undermines the efforts of authors, publishers, and researchers. To ensure ethical downloading, it is advisable to utilize

reputable websites that prioritize the legal distribution of content. When downloading Microprocessor System Design Concepts, users should also consider the potential security risks associated with online platforms. Malicious actors may exploit vulnerabilities in unprotected websites to distribute malware or steal personal information. To protect themselves, individuals should ensure their devices have reliable antivirus software installed and validate the legitimacy of the websites they are downloading from. In conclusion, the ability to download Microprocessor System Design Concepts has transformed the way we access information. With the convenience, cost-effectiveness, and accessibility it offers, free PDF downloads have become a popular choice for students, researchers, and book lovers worldwide. However, it is crucial to engage in ethical downloading practices and prioritize personal security when utilizing online platforms. By doing so, individuals can make the most of the vast array of free PDF resources available and embark on a journey of continuous learning and intellectual growth.

FAQs About Microprocessor System Design Concepts Books

How do I know which eBook platform is the best for me? Finding the best eBook platform depends on your reading preferences and device compatibility. Research different platforms, read user reviews, and explore their features before making a choice. Are free eBooks of good quality? Yes, many reputable platforms offer high-quality free eBooks, including classics and public domain works. However, make sure to verify the source to ensure the eBook credibility. Can I read eBooks without an eReader? Absolutely! Most eBook platforms offer webbased readers or mobile apps that allow you to read eBooks on your computer, tablet, or smartphone. How do I avoid digital eye strain while reading eBooks? To prevent digital eye strain, take regular breaks, adjust the font size and background color, and ensure proper lighting while reading eBooks. What the advantage of interactive eBooks? Interactive eBooks incorporate multimedia elements, quizzes, and activities, enhancing the reader engagement and providing a more immersive learning experience. Microprocessor System Design Concepts is one of the best book in our library for free trial. We provide copy of Microprocessor System Design Concepts in digital format, so the resources that you find are reliable. There are also many Ebooks of related with Microprocessor System Design Concepts. Where to download Microprocessor System Design Concepts online for free? Are you looking for Microprocessor System Design Concepts PDF? This is definitely going to save you time and cash in something you should think about. If you trying to find then search around for online. Without a doubt there are numerous these available and many of them have the freedom. However without doubt you receive whatever you purchase. An alternate way to get ideas is always to check another Microprocessor System Design Concepts. This method for see exactly what may be included and adopt these ideas to your book. This site will almost certainly help you save time and effort, money and stress. If you are

looking for free books then you really should consider finding to assist you try this. Several of Microprocessor System Design Concepts are for sale to free while some are payable. If you arent sure if the books you would like to download works with for usage along with your computer, it is possible to download free trials. The free guides make it easy for someone to free access online library for download books to your device. You can get free download on free trial for lots of books categories. Our library is the biggest of these that have literally hundreds of thousands of different products categories represented. You will also see that there are specific sites catered to different product types or categories, brands or niches related with Microprocessor System Design Concepts. So depending on what exactly you are searching, you will be able to choose e books to suit your own need. Need to access completely for Campbell Biology Seventh Edition book? Access Ebook without any digging. And by having access to our ebook online or by storing it on your computer, you have convenient answers with Microprocessor System Design Concepts To get started finding Microprocessor System Design Concepts, you are right to find our website which has a comprehensive collection of books online. Our library is the biggest of these that have literally hundreds of thousands of different products represented. You will also see that there are specific sites catered to different categories or niches related with Microprocessor System Design Concepts So depending on what exactly you are searching, you will be able tochoose ebook to suit your own need. Thank you for reading Microprocessor System Design Concepts. Maybe you have knowledge that, people have search numerous times for their favorite readings like this Microprocessor System Design Concepts, but end up in harmful downloads. Rather than reading a good book with a cup of coffee in the afternoon, instead they juggled with some harmful bugs inside their laptop. Microprocessor System Design Concepts is available in our book collection an online access to it is set as public so you can download it instantly. Our digital library spans in multiple locations, allowing you to get the most less latency time to download any of our books like this one. Merely said, Microprocessor System Design Concepts is universally compatible with any devices to read.

Find Microprocessor System Design Concepts :

~~low budget way to make money with AI tools that actually works BATCH67-1912~~

affordable way to use AI for blogging for small business owners BATCH67-1079

~~how to use AI for Instagram marketing in the United States BATCH67-666~~

~~best way to start AI side hustle organically BATCH67-2105~~

proven strategy to use AI for small business that actually works BATCH67-2045

proven strategy to start AI side hustle without paid ads BATCH67-1576

~~how to build AI automation agency for small business owners BATCH67-1071~~

complete beginner guide to generate leads using AI with free tools BATCH67-423

free way to start AI side hustle without paid ads BATCH67-966

low budget way to offer AI services to clients for beginners BATCH67-2433

affordable way to build AI automation agency organically BATCH67-1501

best way to create AI powered SaaS with free tools BATCH67-2083

best way to use AI for local SEO for beginners BATCH67-180

best way to write blog posts using AI without paid ads BATCH67-747

affordable way to rank website using AI SEO tools in 2026 BATCH67-1773

Microprocessor System Design Concepts :

la gravure originale au xviiiè siècle par jean a - Jan 31 2022

web right here we have countless book la gravure originale au xviiiè siècle par jean a and collections to check out we additionally present variant types and next type of the books to browse the customary book fiction history novel scientific research as without difficulty as various additional sorts of books are readily affable here

la gravure originale au xviiiè siècle par jean a - Jun 16 2023

web la gravure originale au xviiiè siècle par jean a 9 9 édités selon les critères professionnels les plus exigeants une sélection thématique effectuée parmi les nombreux articles qui composent l'encyclopædia universalis permet au lecteur curieux d'en savoir plus sur un sujet précis et d'en faire le tour grâce à

la gravure originale au xviiiè siècle par jean a - Apr 14 2023

web la gravure originale au xviiiè siècle par jean a report of the librarian of congress library of congress 1899 satan s saint s guy endore 1965 a fictional account of the famed french aristocrat and writer who was known for his libertine and sometimes violent sexual proclivities he spent many years of his life imprisoned for his sexual

la gravure originale au xviiiè siècle par jean a - Apr 02 2022

web right here we have countless books la gravure originale au xviiiè siècle par jean a and collections to check out we additionally have enough money variant types and then type of the books to browse

la gravure originale au xviiiè siècle par jean a pdf - Aug 06 2022

web mar 30 2023 la gravure originale au xviiiè siècle par jean a 2 7 downloaded from uniport edu ng on march 30 2023 by guest interpretations of some works among them charles willson peale s portrait of the baltimore couple benjamin and eleanor ridgely laming the volume is richly illustrated with carefully selected comparative illustrations

gravures au xviiè siècle musée protestant - Oct 08 2022

web gravures au xviè siècle dès la deuxième moitié du xviiè siècle la gravure est une expression artistique très en vogue

relayant l'imprimerie auprès des populations illettrées p les gravures d abraham bosse 1604 1676 peintre et graveur très prolifique donnent une image vivante et instructive de la société de son temps p

la gravure originale au xviiiie sia cle par jean a tanya - Aug 18 2023

web la gravure originale au xviiiie sia cle par jean a recognizing the exaggeration ways to acquire this books la gravure originale au xviiiie sia cle par jean a is additionally useful you have remained in right site to start getting this info get the la gravure originale au xviiiie sia cle par jean a associate that we manage to pay for here and

la gravure originale au xviiiie sia cle par jean a - Feb 12 2023

web graveurs de tous les temps et de tous les pays l z emmanuel bénézit 1924 grand dictionnaire universel du xixe siècle pierre larousse 1870 europa europa sascha bru 2009 biographical note sascha bru genth university belgium peter nicholls university of sussex uk musical ornamentation edward dannreuther 2018 10 14 this work

la gravure originale au xviiiie sia cle par jean a - Mar 01 2022

web la gravure originale au xviiiie sia cle par jean a is available in our digital library an online access to it is set as public so you can get it instantly our books collection saves in multiple locations allowing you to get the most less latency time to download any of our books like this one

la gravure originale au xviiiie siecle adhemar - Jan 11 2023

web noté 5 retrouvez la gravure originale au xviiiie siecle et des millions de livres en stock sur amazon fr achetez neuf ou d occasion

la gravure originale au xviiiie sia cle par jean a pdf - Sep 07 2022

web mar 26 2023 la gravure originale au xviiiie sia cle par jean a 2 8 downloaded from uniport edu ng on march 26 2023 by guest include the magnificent claudius cameo that was once in the collection of charles i the later post renaissance pieces have been studied by kirsten aschengreen pacenti and these include the great tudor portrait

gravure xviii siecle ebay - Jul 05 2022

web le tri par pertinence est un algorithme de classement basé sur plusieurs critères dont les données produits nouvelle annonce jean baptiste greuze porporati enfant au chien rare gravure xviiiie siècle particulier 100 00 eur gravure originale du xviiiie siècle professionnel 140 00 eur 12 00 eur de frais de livraison

la gravure originale au xviiiie sia cle par jean a copy - May 15 2023

web jun 13 2023 la gravure originale au xviiiie sia cle par jean a 2 7 downloaded from uniport edu ng on june 13 2023 by guest for arabic studies of the spanish national research council csic on the general theme of creativity and innovation in the reign of hatshepsut the volume contains nineteen papers that present new

la gravure originale au xviiiie sia cle par jean a - Jun 04 2022

web la gravure originale au xviiiè siècle par jean a if you ally infatuation such a referred la gravure originale au xviiiè siècle par jean a books that will meet the expense of you worth get the certainly best seller from us currently from several preferred authors if you desire to droll books lots of novels tale jokes and more fictions

clickparamount co - May 03 2022

web clickparamount co

la gravure originale au xviiiè siècle par jean a john - Mar 13 2023

web la gravure originale au xviiiè siècle par jean a recognizing the mannerism ways to acquire this books la gravure originale au xviiiè siècle par jean a is additionally useful you have remained in right site to begin getting this info acquire the la gravure originale au xviiiè siècle par jean a link that we give here and check out the link

la gravure originale au xviiiè siècle par jean a book - Dec 10 2022

web la gravure originale au xviiiè siècle par jean a below medals and plaquettes from the molinari collection at bowdoin college bowdoin college museum of art 1976

la gravure originale au xviiiè siècle par jean a pdf - Nov 09 2022

web apr 3 2023 la gravure originale au xviiiè siècle par jean a 1 7 downloaded from uniport edu ng on april 3 2023 by guest la gravure originale au xviiiè siècle par jean a when people should go to the books stores search initiation by shop shelf by shelf it is essentially problematic this is why we allow the ebook compilations in this website

la gravure originale au xviiiè siècle par jean a pdf pdf - Jul 17 2023

web la gravure originale au xviiiè siècle par jean a pdf pages 2 5 la gravure originale au xviiiè siècle par jean a pdf upload arnold w grant 2 5 downloaded from bukuclone ortax org on september 2 2023 by arnold w grant amelia defries 1928 general catalogue of printed books to 1955 british museum dept of printed books 1967

la gravure originale au xviiiè siècle par jean a - Sep 19 2023

web la gravure originale au xviiiè siècle la gravure originale au xviiiè siècle graphic art of the 18th century translated by m i martin with reproductions la gravure originale en france au xviiiè siècle studies on voltaire and the eighteenth century la gravure originale au 18è siècle illustr la gravure originale en france au xviiiè siècle

macros in excel geeksforgeeks - Oct 25 2021

examples of excel macro various methods to use - Jun 01 2022

web create a new worksheet click in the new worksheet click the developer button on the ribbon click insert in the controls group select the button icon from form controls

automate tasks with the macro recorder microsoft support - Feb 26 2022

[*excel macro tutorial for beginners create macros in 7 easy steps*](#) - Jan 28 2022

creating a macro using vba editor online tutorials library - Sep 23 2021

[how to write macros in excel macro tutorial what is use](#) - Jul 02 2022

web jun 6 2021 1 run the macro by clicking on a shape it is one of the easiest ways to run a macro is to create any shape in the worksheet and use it for running the macro the

[getting started with vba in office microsoft learn](#) - Jul 14 2023

web 1 click on the view tab in the excel ribbon 2 next click on the macros button on the right side of the view ribbon 3 this will open the macros drop down click record macro 4

how to write a simple macro in microsoft excel wikihow - Aug 03 2022

web apr 24 2023 turn on developer tab record a macro add a button to run your macro macros are a set of programming instructions written in vba which automate a

[*macros in excel with example simplilearn*](#) - Nov 25 2021

how to create macros in excel step by step tutorial - Jun 13 2023

web jul 11 2022 use the table of contents in the navigation on the left to view the topics in the following sections concepts provides important concepts for developing custom excel

quick start create a macro microsoft support - Aug 15 2023

explore subscription benefits browse training courses learn how to secure your device and more see more

[top 100 useful excel macro vba codes examples](#) - Dec 07 2022

web mar 14 2023 the excel vba macro tutorial for beginners covers the essential basics you will find how to record a macro and insert vba code in excel copy macros from one

[*excel visual basic for applications vba reference*](#) - Apr 11 2023

web for windows go to file options customize ribbon for mac go to excel preferences ribbon toolbar then in the customize the ribbon section under

[what is vba the excel macro language automate excel](#) - Apr 30 2022

excel macro tutorial for beginners build a macro in 4 easy steps - Dec 27 2021

how to create change copy and delete vba macros in excel - Mar 30 2022

section 1 programming in excel macros - Nov 06 2022

web macros can help you automate repetitive tasks and save time you can use the macro recorder to record the macro or write your own macro script in vba

excel vba tutorial easy excel programming - Mar 10 2023

web feb 2 2023 while excel is full of time saving features like keyboard shortcuts and templates you can save even more time by creating macros to complete repetitive

programming in excel step by step guide to vba - Jan 08 2023

web what is vba used for in excel vba is used to write macros which automate simple and complex tasks in excel users of microsoft excel will often find themselves repeating the

excel vba tutorial how to write code in a - Feb 09 2023

web aug 30 2023 excel macro is a record and playback tool that simply records your excel steps and the macro will play it back as many times as you want vba macros save

learn vba macro coding basics in excel 2023 guide - May 12 2023

web using excel macros can speed up work and save you a lot of time one way of getting the vba code is to record the macro and take the code it generates however that code by

24 useful excel macro examples for vba beginners ready to use - Oct 05 2022

web if you are committed to unleashing the power of excel macros you will have to learn visual basic for applications programming excel macros using vba is more powerful than

[run a macro microsoft support](#) - Sep 04 2022

web to get started the first step in your macro excel journey is to ensure that you have access to the various buttons and functions you ll need to build your macro those are all found

[buddha quotes teachings facts biography](#) - Feb 27 2022

web apr 2 2014 buddha was born in the 6th century b c or possibly as early as 624 b c according to some scholars other researchers believe he was born later even as late as 448 b c

buschmann buddha tuareg lander menschen und kultu pdf - Aug 04 2022

web computer buschmann buddha tuareg lander menschen und kultu is understandable in our digital library an online entry to it is set as public thus you can download it instantly our digital library saves in combination countries allowing you to get the most less latency times to download any of our books in the same way as this one

buschmann buddha tuareg länder menschen und kulturen in afrika und - Jul 15 2023

web buschmann buddha tuareg menschen länder und kulturen in afrika und asien buschmann buddha tuareg länder menschen und kulturen in afrika und asien isbn 9783772522987 artikelnr 1561 die lebendigen schilderungen verschiedener länder und völker führen den jungen leser in faszinierende landschaften und

buschmann buddha tuareg lander menschen und kultu - Jul 03 2022

web buschmann buddha tuareg lander menschen und kultu below annulosa by w e leach extracted from vol 1 of the supplement to the encyclopdia britannica 1824 theory of the film bela balazs 2017 08 24 this work has been selected by scholars as being culturally important and is part of the knowledge base of civilization as we know it

buschmann buddha tuareg länder menschen und kulturen in afrika und - Jan 09 2023

web jun 7 2023 buschmann buddha tuareg länder menschen und kulturen in afrika und asien by johannes f brakel buschmann buddha tuareg länder menschen und kulturen in afrika und asien by johannes f brakel gruppen länder amp kulturen übersicht gruppen auf boekwinkeltjes nl indios inka immigranten verlag urachhaus

buschmann buddha tuareg lander menschen und kultu 2023 - May 01 2022

web buschmann buddha tuareg lander menschen und kultu downloaded from stage gapinc com by guest powell edwards deron goes to nursery school transit pub incorporated pukeko loves to dance he s got all the moves he dances in swamp he dances in bush he dances down by the river however his heart s desire is to dance

buschmann buddha tuareg lander menschen und kultu copy - Aug 16 2023

web buschmann buddha tuareg lander menschen und kultu afropolitan horizons jun 23 2023 introduction nigerian connections palm wine amos tutuola and a literary gatekeeper bahia lagos ouidah mariana s story igbo life past and present three views inland upriver with the

9783772522987 buschmann buddha tuareg länder menschen und kulturen - Feb 10 2023

web abebooks com buschmann buddha tuareg länder menschen und kulturen in afrika und asien 9783772522987 by brakel johannes f and a great selection of similar new used and collectible books available now at great prices

buschmann buddha tuareg lander menschen und kultu pdf - Oct 06 2022

web may 12 2023 buschmann buddha tuareg lander menschen und kultu 2 7 downloaded from uniport edu ng on may 12 2023 by guest daintree rainforest st peter s cathedral wave rock uluru the ghan kakadu national park and the great barrier reef presented in a slipcase this is the perfect gift or souvenir for anyone wishing to remember a visit to

buschmann buddha tuareg lander menschen und kultu - Mar 11 2023

web buschmann buddha tuareg lander menschen und kultu international handbook on tourism and peace oct 03 2022

buschmann buddha tuareg apr 09 2023 world report 2019 mar 08 2023 the best country by country assessment of human

rights the human rights records of more than ninety

pdf buschmann buddha tuareg lander menschen und kultu - Jun 02 2022

web buschmann buddha tuareg lander menschen und kultu mozart s the magic flute jul 31 2021 a comprehensive guide to mozart s the magic flute featuring insightful and in depth commentary and analysis a complete newly translated libretto with german english translation side by side and over 30 music highlight examples taschenbuch der reisen

buschmann buddha tuareg lander menschen und kultu pdf - Oct 18 2023

web jahrhunderts die in ihren tagebchern briefen und berichten von der lust und last des reisens erzhlen von euphorie und ernchterung vorstellung und wirklichkeit idealen und illusionen exotikhunger und berdruss fernweh und verzicht das buch entfhrt den leser in die sdsee und den orient nach sdostasien lateinamerika und afrika und

buschmann buddha tuareg lnder menschen und kulturen in afrika und - Sep 17 2023

web buschmann buddha tuareg lnder menschen und kulturen in afrika und asien brakel johannes f isbn 9783772522987 kostenloser versand fr alle bcher mit versand und verkauf duch amazon

buschmann buddha tuareg lnder menschen und kulturen in afrika und - Jun 14 2023

web jun 8 2023 downloading buschmann buddha tuareg lnder menschen und kulturen in afrika und asien by johannes f brakel if you ally routine such a referred buschmann buddha tuareg lnder menschen und kulturen in afrika und asien by johannes f brakel books that will find the money for you worth receive the categorically best seller from us

buschmann buddha tuareg lander menschen und kultu pdf - Sep 05 2022

web buschmann buddha tuareg lander menschen und kultu pdf introduction buschmann buddha tuareg lander menschen und kultu pdf 2023 pukeko marie langley 2006 pukeko loves to dance he s got all the moves he dances in swamp he dances in bush he dances down by the river however his heart s desire is to dance

buschmann buddha tuareg lnder menschen und kulturen in afrika und - Apr 12 2023

web buschmann buddha tuareg lnder menschen und kulturen in afrika und asien by johannes f brakel buschmann buddha tuareg lnder menschen und kulturen in afrika und asien by johannes f brakel freie kultur beste produkte amp meinungen 2020 lnder amp menschen buch tests preisvergleich angebote digital resources find

buschmann buddha tuareg lander menschen und kultu - May 13 2023

web buschmann buddha tuareg lander menschen und kultu is available in our digital library an online access to it is set as public so you can get it instantly our book servers hosts in multiple countries allowing you to get the most less latency time to download any of our books like this one

buddhism by country wikipedia - Mar 31 2022

web percentage of buddhists by country according to the pew research center this list of buddhism by country shows the

distribution of the buddhist religion practiced by about 535 million people as of the 2010s representing 7 to 8 of the world s total population buddhism is the official religion in four countries bhutan cambodia myanmar and sri

[read free buschmann buddha tuareg lander menschen und kultu](#) - Nov 07 2022

web buschmann buddha tuareg lander menschen und kultu kultur als gestalt und geschichte versuch einer bestimmung aug 17 2021 kultur ist eine verfassung des menschen die sich im zuge seiner entfremdung von der natur bildet bedeutet sie aus der perspektive seines natürlichen ursprungs einen verlust an unmittelbarkeit harmonie

[buschmann buddha tuareg lander menschen und kultu pdf](#) - Dec 08 2022

web jun 28 2023 buschmann buddha tuareg lander menschen und kultu but end up in malicious downloads rather than reading a good book with a cup of coffee in the afternoon instead they are facing with some harmful virus inside their computer buschmann buddha tuareg lander menschen und kultu is available in our digital library an online access to