

CPU

Memory

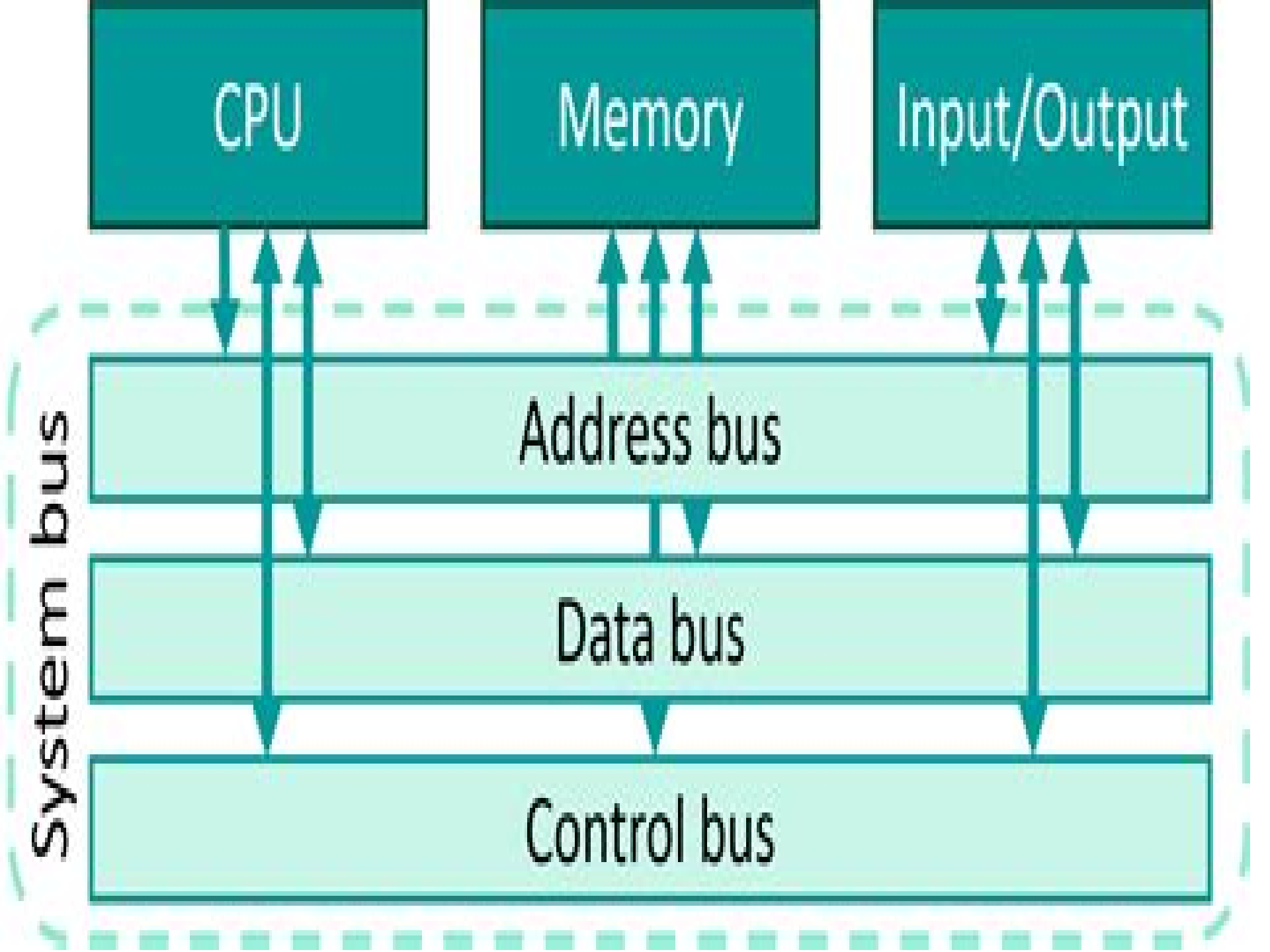
Input/Output

System bus

Address bus

Data bus

Control bus



# Microcomputer Busses

**IM Harris**



## **Microcomputer Busses:**

## Unveiling the Magic of Words: A Overview of "**Microcomputer Busses**"

In a world defined by information and interconnectivity, the enchanting power of words has acquired unparalleled significance. Their ability to kindle emotions, provoke contemplation, and ignite transformative change is really awe-inspiring. Enter the realm of "**Microcomputer Busses**," a mesmerizing literary masterpiece penned with a distinguished author, guiding readers on a profound journey to unravel the secrets and potential hidden within every word. In this critique, we shall delve to the book is central themes, examine its distinctive writing style, and assess its profound impact on the souls of its readers.

[https://www.staging.gilderlehrman.org/About/book-search/Download\\_PDFS/best\\_way\\_to\\_make\\_money\\_with\\_ai\\_tools\\_for\\_begg\\_ners\\_batch41\\_1275.pdf](https://www.staging.gilderlehrman.org/About/book-search/Download_PDFS/best_way_to_make_money_with_ai_tools_for_begg_ners_batch41_1275.pdf)

### **Table of Contents Microcomputer Busses**

1. Understanding the eBook Microcomputer Busses
  - The Rise of Digital Reading Microcomputer Busses
  - Advantages of eBooks Over Traditional Books
2. Identifying Microcomputer Busses
  - Exploring Different Genres
  - Considering Fiction vs. Non-Fiction
  - Determining Your Reading Goals
3. Choosing the Right eBook Platform
  - Popular eBook Platforms
  - Features to Look for in an Microcomputer Busses
  - User-Friendly Interface
4. Exploring eBook Recommendations from Microcomputer Busses
  - Personalized Recommendations
  - Microcomputer Busses User Reviews and Ratings

- Microcomputer Busses and Bestseller Lists
- 5. Accessing Microcomputer Busses Free and Paid eBooks
  - Microcomputer Busses Public Domain eBooks
  - Microcomputer Busses eBook Subscription Services
  - Microcomputer Busses Budget-Friendly Options
- 6. Navigating Microcomputer Busses eBook Formats
  - ePub, PDF, MOBI, and More
  - Microcomputer Busses Compatibility with Devices
  - Microcomputer Busses Enhanced eBook Features
- 7. Enhancing Your Reading Experience
  - Adjustable Fonts and Text Sizes of Microcomputer Busses
  - Highlighting and Note-Taking Microcomputer Busses
  - Interactive Elements Microcomputer Busses
- 8. Staying Engaged with Microcomputer Busses
  - Joining Online Reading Communities
  - Participating in Virtual Book Clubs
  - Following Authors and Publishers Microcomputer Busses
- 9. Balancing eBooks and Physical Books Microcomputer Busses
  - Benefits of a Digital Library
  - Creating a Diverse Reading Collection Microcomputer Busses
- 10. Overcoming Reading Challenges
  - Dealing with Digital Eye Strain
  - Minimizing Distractions
  - Managing Screen Time
- 11. Cultivating a Reading Routine Microcomputer Busses
  - Setting Reading Goals Microcomputer Busses
  - Carving Out Dedicated Reading Time
- 12. Sourcing Reliable Information of Microcomputer Busses
  - Fact-Checking eBook Content of Microcomputer Busses
  - Distinguishing Credible Sources

13. Promoting Lifelong Learning
  - Utilizing eBooks for Skill Development
  - Exploring Educational eBooks
14. Embracing eBook Trends
  - Integration of Multimedia Elements
  - Interactive and Gamified eBooks

### **Microcomputer Busses Introduction**

Microcomputer Busses Offers over 60,000 free eBooks, including many classics that are in the public domain. Open Library: Provides access to over 1 million free eBooks, including classic literature and contemporary works. Microcomputer Busses Offers a vast collection of books, some of which are available for free as PDF downloads, particularly older books in the public domain. Microcomputer Busses : This website hosts a vast collection of scientific articles, books, and textbooks. While it operates in a legal gray area due to copyright issues, its a popular resource for finding various publications. Internet Archive for Microcomputer Busses : Has an extensive collection of digital content, including books, articles, videos, and more. It has a massive library of free downloadable books. Free-eBooks Microcomputer Busses Offers a diverse range of free eBooks across various genres. Microcomputer Busses Focuses mainly on educational books, textbooks, and business books. It offers free PDF downloads for educational purposes. Microcomputer Busses Provides a large selection of free eBooks in different genres, which are available for download in various formats, including PDF. Finding specific Microcomputer Busses, especially related to Microcomputer Busses, might be challenging as theyre often artistic creations rather than practical blueprints. However, you can explore the following steps to search for or create your own Online Searches: Look for websites, forums, or blogs dedicated to Microcomputer Busses, Sometimes enthusiasts share their designs or concepts in PDF format. Books and Magazines Some Microcomputer Busses books or magazines might include. Look for these in online stores or libraries. Remember that while Microcomputer Busses, sharing copyrighted material without permission is not legal. Always ensure youre either creating your own or obtaining them from legitimate sources that allow sharing and downloading. Library Check if your local library offers eBook lending services. Many libraries have digital catalogs where you can borrow Microcomputer Busses eBooks for free, including popular titles. Online Retailers: Websites like Amazon, Google Books, or Apple Books often sell eBooks. Sometimes, authors or publishers offer promotions or free periods for certain books. Authors Website Occasionally, authors provide excerpts or short stories for free on their websites. While this might not be the Microcomputer Busses full book , it can give you a taste of the authors writing style. Subscription Services Platforms like Kindle Unlimited or Scribd offer subscription-based access to a wide range of Microcomputer Busses eBooks, including

some popular titles.

### **FAQs About Microcomputer Busses Books**

How do I know which eBook platform is the best for me? Finding the best eBook platform depends on your reading preferences and device compatibility. Research different platforms, read user reviews, and explore their features before making a choice. Are free eBooks of good quality? Yes, many reputable platforms offer high-quality free eBooks, including classics and public domain works. However, make sure to verify the source to ensure the eBook credibility. Can I read eBooks without an eReader? Absolutely! Most eBook platforms offer web-based readers or mobile apps that allow you to read eBooks on your computer, tablet, or smartphone. How do I avoid digital eye strain while reading eBooks? To prevent digital eye strain, take regular breaks, adjust the font size and background color, and ensure proper lighting while reading eBooks. What the advantage of interactive eBooks? Interactive eBooks incorporate multimedia elements, quizzes, and activities, enhancing the reader engagement and providing a more immersive learning experience. Microcomputer Busses is one of the best book in our library for free trial. We provide copy of Microcomputer Busses in digital format, so the resources that you find are reliable. There are also many Ebooks of related with Microcomputer Busses. Where to download Microcomputer Busses online for free? Are you looking for Microcomputer Busses PDF? This is definitely going to save you time and cash in something you should think about.

### **Find Microcomputer Busses :**

*best way to make money with AI tools for beginners BATCH41-1275*

[complete beginner guide to use AI for lead generation step by step BATCH41-324](#)

[free way to optimize website content using AI organically BATCH41-2483](#)

[without experience how to use AI for ecommerce store that actually works BATCH41-2134](#)

[proven strategy to make money with AI tools step by step BATCH41-1744](#)

**without experience how to rank website using AI SEO tools for content creators BATCH41-2374**

**complete beginner guide to grow email list using AI in 2026 BATCH41-1303**

[how to automate business with AI with free tools BATCH41-1042](#)

*best way to offer AI services to clients for content creators BATCH41-385*

[easy method to launch AI agency organically BATCH41-1421](#)

[complete beginner guide to start AI side hustle with free tools BATCH41-743](#)

[complete beginner guide to create AI powered SaaS in the United States BATCH41-1060](#)

[without experience how to use AI for TikTok growth in 2026 BATCH41-1034](#)

[easy method to make money with AI tools that actually works BATCH41-1737](#)

**low budget way to use AI for blogging for beginners BATCH41-382**

### Microcomputer Busses :

**napa auto care repair estimator** - Jul 13 2023

web the auto care repair estimator is a quick and easy way to get price estimates for the most common car repairs and routine maintenance services find out more about our 17 000

[understanding the flat rate labor guide klassik auto training](#) - Nov 24 2021

[understanding the flat rate labor guide klassik auto training](#) - Sep 22 2021

**psa flat rate guide psaworld** - Oct 04 2022

web aug 9 2023 mechanic labor rate flat rate vs per hour an auto repair shop can charge you in two ways they either ask for a flat rate or the price goes up by each hour a

[flat rate manual maintenance repairs car talk community](#) - Jul 01 2022

web aug 10 2021 as a small business mechanic you can set your hourly wage as you see fit this is your flat rate fee for service for each hour of work you perform for a customer

[how the flat rate mechanic pay system works](#) - Dec 26 2021

web the flat rate labor guide has been used for who endure 90 yearning to estimate the repairing cost of a vehicles still though many take cannot know how it works

**car repair labor rates explained aaa automotive** - Jan 07 2023

web mechanics working for a flat rate have the potential to triple their earnings according to diguiseppi diguiseppi s shop uses an hourly scale because we re old school he

**understanding the flat rate labor guide klassik auto training** - Feb 25 2022

web this flat rate labor guide does been used for the last 90 aged until estimate the repair cost of one vehicle still however many do not understand how it works

**how does flat rate pay for mechanics work linkedin** - Jan 27 2022

web do not arbitrarily fill in flat rate 4requested on the warranty claim form you are eligible for if 1 hour as reimbursement for processing each claim 5means remove and replace

*free auto repair estimates and labor guide* - May 31 2022

web the flat rate labor guide has been used for the last 90 years to estimate the repair expense of an vehicle still though more do not appreciate how it works

a flat rate pay scale for mechanics small business - Apr 29 2022

web feb 27 2016 overview many auto shops charge flat rate fees for many if not most jobs mechanics paid a flat rate get a set percentage of that flat rate fee for example oil

**flatrate manual m i t m** - Oct 24 2021

**techttime repair order calculator flat rate calculator** - Mar 09 2023

web aaa image most auto repair shops quote labor charges using a flat rate manual or computer program that provides the average time it takes an experienced technician to

**instant auto repair estimates free online estimator** - Aug 14 2023

web yourmechanic flat rate pricing is based on the labor time and parts required to fix your car our estimates show the full price breakdown so there s never any mystery behind service prices our mechanics are fully mobile so there s no brick and mortar shop to maintain

*auto repair pricing cost estimates kelley blue book* - Dec 06 2022

web presented by tom lundin what is it a guide outlining your company s labor rate structure adjustable guide customized to your market conditions a guide that provides pricing for

**auto labor times parts estimating guide mitchell 1** - Apr 10 2023

web jun 30 2022 the estimator brings together automotive industry standard data for parts pricing and labor times combined with a proprietary labor rate model to deliver fair price

*free car repair estimate get auto repair costs repairpal* - Feb 08 2023

web check your owner s manual to stay on top of your vehicle s maintenance schedule you can also reduce expenses for auto repairs by obtaining several quotes for non emergency

*hourly vs flat rate for auto techs monster com* - Nov 05 2022

web jun 24 2020 the flat rate guide is not just for estimating a price to the owner most mechanics are paid based on the flat rate labor charge when a mechanic in a shop is

*a flat rate pay scale for mechanics small business* - Mar 29 2022

web december 1 2019 by reggie in this video we will go over how the flat rate mechanic pay system works along with how much you can expect to make as a flat rate mechanic

**flat rate 101 vehicle service pros** - Jun 12 2023

web jan 1 2020 flat rate manual is a listing of almost every job that can be done on a vehicle with the time required for a mechanic to do the work it is used in service shops to

*mechanic labor rate a thorough guide to auto repair bills* - Aug 02 2022

web using a flat rate pay scale cans go a yearn way to assuaging some customer concerns and demystify the process von determining a mechanic s fee for customer hourly labor

**understanding the flat rate labor guide klassik ats** - Sep 03 2022

web jan 23 2013 what you are not entering into your equation is that many if not most also pay their mechanics on the flat rate system if a job has a flat rate time of 1 2 hours i

*auto repair labor guide method me* - May 11 2023

web since glenn mitchell created the first mitchell manual in his garage in 1946 we ve been the leader in mechanical labor estimate guides the comprehensive labor time guides are

**bonding material an overview sciencedirect topics** - Aug 21 2022

web 3 1 introduction materials bonding by brazing have a very long history and the art continues to evolve into domains of more advanced applications covering a wider range of material selections and satisfying more intricate designs under ever more stringent processing conditions shapiro and sekulic 2008

**bonding mechanism an overview sciencedirect topics** - Oct 23 2022

web to clarify the bonding mechanism between m and the surrounding ni atoms the wave functions of the bonding orbitals are examined fig 3 6 shows the contour map of the wave function for the 12e g orbital which exists below the e f and contributes substantively to the m ni bonding in case of pure ni 3 al i e m al the al 3d<sub>y</sub> orbital participates in the

configuring new bonds between first row transition metals - Apr 16 2022

web dec 10 2017 the nitrogen problem making bonds between metal centres of different transition metals is a powerful tool for exploring the chemistry and bonding of transition metals and forming an extensive

5 21 bonding in metals chemistry libretexts - Sep 02 2023

web jul 18 2023 libretexts bonding in metals and semiconductors can be described using band theory in which a set of molecular orbitals is generated that extends throughout the solid the primary learning objective of this module is to describe the electrical properties of solid using band theory

**metals aqa synergy structure and bonding in metals bbc** - Nov 23 2022

web structure and bonding in metals metallic bonding consist of giant structures of arranged in a regular pattern the electrons from the outer shells of the metal atoms are delocalised

**5 5 bonding in metals and semiconductors chemistry libretexts** - Feb 12 2022

web metals tend to have high melting points and boiling points suggesting strong bonds between the atoms even a soft metal like sodium melting point 97.8 °C melts at a considerably higher temperature than the element neon which precedes it in the periodic table sodium has the electronic structure 1s<sup>2</sup> 2s<sup>2</sup> 2p<sup>6</sup> 3s<sup>1</sup>

*1 3 bonding in metals semiconductors and insulators band* - Aug 01 2023

web this reflects the fact that bonds between pairs of atoms in the metal are weaker than they are in the molecule nevertheless the metallic form of lithium is more stable than the molecular form because in the metal one atom has many more neighbors than in the  $\text{Li}_2$  molecule

**the nature of metal metal bonding in re ru and os corrole** - May 30 2023

web abstract studies of multiple bonding between transition metal complexes offer fundamental insight into the nature of bonding between metal ions and facilitate predictions of the physical properties and the reactivities of metal

bond strength of resin to metal bonding system researchgate - May 18 2022

web sep 1 1997 the development of a chemical resin to metal bonding could resolve this problem and also reduce the need for mechanical retention pearls wires on metal frameworks this study evaluated six

**enhancing interfacial bonding in friction stir lap welding of light** - Jul 20 2022

web nov 1 2022 enhancing interfacial bonding in friction stir lap welding of light metal and carbon fiber reinforced polymer composite sciencedirect journal of manufacturing processes volume 83 november 2022 pages 729-741 enhancing interfacial bonding in friction stir lap welding of light metal and carbon fiber reinforced polymer composite

*3 9 bonding in metals chemistry libretexts* - Jun 30 2023

web metallic bonds occur among metal atoms whereas ionic bonds join metals to non metals metallic bonding joins a bulk of metal atoms a sheet of aluminum foil and a copper wire are both places where you can see metallic bonding in action metals tend to have high melting points and boiling points suggesting strong bonds between the atoms

**3 1 bonding in metals engineering libretexts** - Mar 16 2022

web jan 18 2023 this view is an oversimplification that fails to explain metals in a quantitative way nor can it account for the differences in the properties of individual metals a more detailed treatment known as the bond theory of metals applies the idea of resonance hybrids to metallic lattices

**what is a bonding force definition from corrosionpedia** - Jun 18 2022

web aug 5 2020 bonding forces are the sum of attractive forces and repulsive forces between atoms molecules or ions in a

solid material this includes attractive forces which keep the atoms together forcing them to form a solid repulsive forces which come into play when a solid is compressed

*the nature of metal metal bonding in re and os corrole dimer* - Feb 24 2023

web metal complexes containing metal metal multiple bonds here we report a computational interrogation on the nature of the metal metal bonding for neutral oxidized and reduced forms of dinuclear rhenium and osmium

**metal metal bonds from fundamentals to applications** - Apr 28 2023

web this evolving perspective of metal metal bonding allows for the use of metal metal bonded compounds in important applications as structural subunits of metal organic frameworks molecular scale conductors photosensitizers and catalysts

9 10 bonding in metals chemistry libretexts - Oct 03 2023

web nov 13 2022 describe at the simplest level the origin of electron bands in metals describe how the electrical and thermal conductivity of metals can be explained according to band theory explain why the electrical conductivity of a metal decreases with temperature whereas that of a semiconductor increases

**structures and properties metallic bonding and structure bbc** - Jan 26 2023

web the metallic bond is the force of attraction between these free moving delocalised electrons and positive metal ions metallic bonds are strong so metals can maintain a regular

**bonding in metals review and reinforce** - Sep 21 2022

web bonding in metals review and reinforce optical spectra and chemical bonding in transition metal complexes bonding theory for metals and alloys organometallic bonding and reactivity an introduction to metallic glasses and amorphous metals mcat study review notes presentations 900 pages advances in brazing scientific and

section 6 5 metal metal bonds chemistry libretexts - Dec 25 2022

web aug 21 2023 the combination of two metals with d 5 electron configuration leads to a triple bond two d 6 metals give a double bond and two d 7 metals give a single bond a metal metal bond should not exist for two d 8 metals

**the nature of metal metal bonding in re ru and os corrole** - Mar 28 2023

web jun 28 2022 studies of multiple bonding between transition metal complexes offer fundamental insight into the nature of bonding between metal ions and facilitate predictions of the physical properties and the reactivities of metal complexes containing metal metal multiple bonds here we report a computational interrogation on

**mind over mood flyer pdf pdf voto uncal edu** - Dec 26 2021

web mind over mood flyer 2019 07 04 perkins murray mind over murder lyrical underground call em the broad street bullies the ferocious flyers or bobby clarke s

**mind over mood change how you feel by changing the way** - Apr 29 2022

web mind over mood group holiday season support group thursdays 2 00 p m 4 00 p m group meets for 12 weeks starting november 4 2021 for more information and to

*mind over mood a cognitive therapy treatment manual* - Dec 06 2022

web greenberger d padesky c a 1995 mind over mood a cognitive therapy treatment manual for clients guilford press abstract written by 2 clinical psychologists this

**mind over mood flyer wrbb neu edu** - Nov 24 2021

web mar 7 2023 mind over mood flyer 1 8 downloaded from uniport edu ng on march 7 2023 by guest mind over mood flyer as recognized adventure as competently as

mind over mood group dap health - Mar 29 2022

web mind over mood flyer view pdf mind over mood anxiety pdf dr ian hyams view pdf pdf file aacs book list ann arbor consultation services view pdf

**mind over mood download free pdf or buy books** - Feb 25 2022

web 4 mind over mood flyer 2021 03 25 good idea who it is but how is she supposed to rescue her pigeons and outwit a german spy this ebook includes a historical afterword

*mind over mood second edition change how you feel by* - Sep 03 2022

web search from thousands of royalty free mind over matter stock images and video for your next project download royalty free stock photos vectors hd footage and more on

*mind over mood flyer copy help environment harvard edu* - Nov 05 2022

web to understand even more not far off from the globe experience some places bearing in mind history amusement and a lot more it is your very own time to appear in

335 results for mind over matter in all adobe stock - Aug 02 2022

web mind over mood 2 619 likes 1 talking about this mind over mood is one of the best selling cognitive behavior therapy books over 1 000 000 copies h

**230 mood customizable design templates postermyswall** - Sep 22 2021

*mind over mood guilford press* - May 11 2023

web the life changing bestseller more than 1 300 000 in print create flyer mind over mood second edition change how you feel by changing the way you think dennis

mind over mood second edition changing how you feel by - Mar 09 2023

web mind over mood change how you feel by changing the way you think dennis greenberger and christine a padesky second

edition pages cm includes

**mind over mood change how you feel by changing the way you** - Feb 08 2023

web sep 20 2020 mind over mood will help you learn proven powerful practical strategies to transform your life follow step by step plans to overcome depression anxiety anger

**mind over mood flyer** - Aug 14 2023

web attend and discover the power of mind over mood use your mind to fight off depression anxiety and other stressful moods learn the thoughts and behaviors that lift your

**mind over mood worksheets english worksheets land** - May 31 2022

web mind over mood change how you feel by changing the way you think greenberger dennis padesky christine a amazon com tr kitap

**160 mindset customizable design templates postermymwall** - Jun 12 2023

web create free mindset flyers posters social media graphics and videos in minutes choose from 160 eye catching templates to wow your audience

**worksheets mind over mood** - Jul 13 2023

web faqs plus a selection of mind over mood 2nd edition worksheets in english and spanish along with instructions on how to download the worksheets

**mind over mood** - Apr 10 2023

web a website for the public skills to improve your life skills to change how you feel featuring mind over mood a self help workbook using evidence based methods

**mind over mood flyer uniport edu ng** - Oct 24 2021

web create free mood flyers posters social media graphics and videos in minutes choose from 230 eye catching templates to wow your audience open accessibility menu skip

*mind over mood facebook* - Jul 01 2022

web here are a few foods that will improve your mood salmon contains omega 3 fatty acids that boost your mood mushrooms provide you with vitamin d which has anti

[mind over mood flyer japanalert bananacoding com](#) - Jan 27 2022

web mind over mood flyer pdf unveiling the power of verbal art an emotional sojourn through mind over mood flyer pdf in a global inundated with screens and the

**the clinician s guide to cbt using mind over mood** - Oct 04 2022

web this life changing book has already helped more than 1 200 000 readers use cognitive behavioral therapy one of today s

most effective forms of psychotherapy to conquer

*mind over mood change how you feel by changing the way you* - Jan 07 2023

web only rarely does a book come along that can truly change your life mind over mood is such a book dennis greenberger and christine a padesky have distilled the wisdom