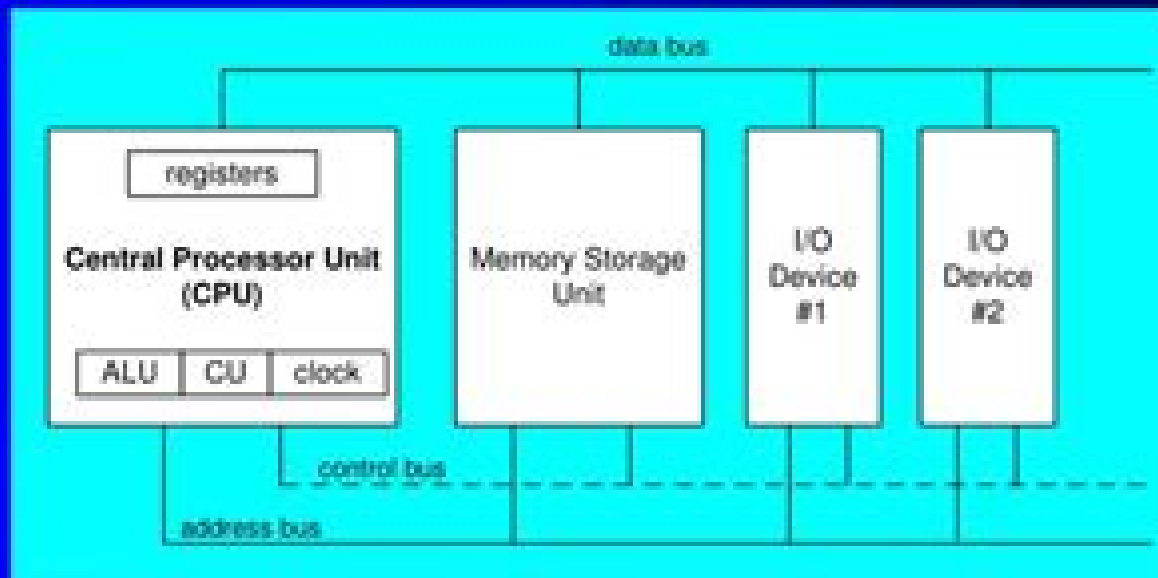


Basic Microcomputer Design

- clock synchronizes CPU operations
- control unit (CU) coordinates sequence of execution steps
- ALU performs arithmetic and bitwise processing



Microcomputer Design

Camilla Rothe



Microcomputer Design:

Immerse yourself in the artistry of words with Experience Art with its expressive creation, **Microcomputer Design** . This ebook, presented in a PDF format (*), is a masterpiece that goes beyond conventional storytelling. Indulge your senses in prose, poetry, and knowledge. Download now to let the beauty of literature and artistry envelop your mind in a unique and expressive way.

https://www.staging.gilderlehrman.org/files/book-search/fetch.php/complete_beginner_guide_to_grow_email_list_using_ai_wit_h_free_tools_batch79_584.pdf

Table of Contents Microcomputer Design

1. Understanding the eBook Microcomputer Design
 - The Rise of Digital Reading Microcomputer Design
 - Advantages of eBooks Over Traditional Books
2. Identifying Microcomputer Design
 - Exploring Different Genres
 - Considering Fiction vs. Non-Fiction
 - Determining Your Reading Goals
3. Choosing the Right eBook Platform
 - Popular eBook Platforms
 - Features to Look for in an Microcomputer Design
 - User-Friendly Interface
4. Exploring eBook Recommendations from Microcomputer Design
 - Personalized Recommendations
 - Microcomputer Design User Reviews and Ratings
 - Microcomputer Design and Bestseller Lists
5. Accessing Microcomputer Design Free and Paid eBooks
 - Microcomputer Design Public Domain eBooks
 - Microcomputer Design eBook Subscription Services

- Microcomputer Design Budget-Friendly Options
- 6. Navigating Microcomputer Design eBook Formats
 - ePub, PDF, MOBI, and More
 - Microcomputer Design Compatibility with Devices
 - Microcomputer Design Enhanced eBook Features
- 7. Enhancing Your Reading Experience
 - Adjustable Fonts and Text Sizes of Microcomputer Design
 - Highlighting and Note-Taking Microcomputer Design
 - Interactive Elements Microcomputer Design
- 8. Staying Engaged with Microcomputer Design
 - Joining Online Reading Communities
 - Participating in Virtual Book Clubs
 - Following Authors and Publishers Microcomputer Design
- 9. Balancing eBooks and Physical Books Microcomputer Design
 - Benefits of a Digital Library
 - Creating a Diverse Reading Collection Microcomputer Design
- 10. Overcoming Reading Challenges
 - Dealing with Digital Eye Strain
 - Minimizing Distractions
 - Managing Screen Time
- 11. Cultivating a Reading Routine Microcomputer Design
 - Setting Reading Goals Microcomputer Design
 - Carving Out Dedicated Reading Time
- 12. Sourcing Reliable Information of Microcomputer Design
 - Fact-Checking eBook Content of Microcomputer Design
 - Distinguishing Credible Sources
- 13. Promoting Lifelong Learning
 - Utilizing eBooks for Skill Development
 - Exploring Educational eBooks
- 14. Embracing eBook Trends

-
- Integration of Multimedia Elements
 - Interactive and Gamified eBooks

Microcomputer Design Introduction

In today's digital age, the availability of Microcomputer Design books and manuals for download has revolutionized the way we access information. Gone are the days of physically flipping through pages and carrying heavy textbooks or manuals. With just a few clicks, we can now access a wealth of knowledge from the comfort of our own homes or on the go. This article will explore the advantages of Microcomputer Design books and manuals for download, along with some popular platforms that offer these resources. One of the significant advantages of Microcomputer Design books and manuals for download is the cost-saving aspect. Traditional books and manuals can be costly, especially if you need to purchase several of them for educational or professional purposes. By accessing Microcomputer Design versions, you eliminate the need to spend money on physical copies. This not only saves you money but also reduces the environmental impact associated with book production and transportation. Furthermore, Microcomputer Design books and manuals for download are incredibly convenient. With just a computer or smartphone and an internet connection, you can access a vast library of resources on any subject imaginable. Whether you're a student looking for textbooks, a professional seeking industry-specific manuals, or someone interested in self-improvement, these digital resources provide an efficient and accessible means of acquiring knowledge. Moreover, PDF books and manuals offer a range of benefits compared to other digital formats. PDF files are designed to retain their formatting regardless of the device used to open them. This ensures that the content appears exactly as intended by the author, with no loss of formatting or missing graphics. Additionally, PDF files can be easily annotated, bookmarked, and searched for specific terms, making them highly practical for studying or referencing. When it comes to accessing Microcomputer Design books and manuals, several platforms offer an extensive collection of resources. One such platform is Project Gutenberg, a nonprofit organization that provides over 60,000 free eBooks. These books are primarily in the public domain, meaning they can be freely distributed and downloaded. Project Gutenberg offers a wide range of classic literature, making it an excellent resource for literature enthusiasts. Another popular platform for Microcomputer Design books and manuals is Open Library. Open Library is an initiative of the Internet Archive, a non-profit organization dedicated to digitizing cultural artifacts and making them accessible to the public. Open Library hosts millions of books, including both public domain works and contemporary titles. It also allows users to borrow digital copies of certain books for a limited period, similar to a library lending system. Additionally, many universities and educational institutions have their own digital libraries that provide free access to PDF books and manuals. These libraries often offer academic texts, research papers, and technical manuals, making them invaluable resources for students and researchers. Some notable examples include MIT

OpenCourseWare, which offers free access to course materials from the Massachusetts Institute of Technology, and the Digital Public Library of America, which provides a vast collection of digitized books and historical documents. In conclusion, Microcomputer Design books and manuals for download have transformed the way we access information. They provide a cost-effective and convenient means of acquiring knowledge, offering the ability to access a vast library of resources at our fingertips. With platforms like Project Gutenberg, Open Library, and various digital libraries offered by educational institutions, we have access to an ever-expanding collection of books and manuals. Whether for educational, professional, or personal purposes, these digital resources serve as valuable tools for continuous learning and self-improvement. So why not take advantage of the vast world of Microcomputer Design books and manuals for download and embark on your journey of knowledge?

FAQs About Microcomputer Design Books

1. Where can I buy Microcomputer Design books? Bookstores: Physical bookstores like Barnes & Noble, Waterstones, and independent local stores. Online Retailers: Amazon, Book Depository, and various online bookstores offer a wide range of books in physical and digital formats.
2. What are the different book formats available? Hardcover: Sturdy and durable, usually more expensive. Paperback: Cheaper, lighter, and more portable than hardcovers. E-books: Digital books available for e-readers like Kindle or software like Apple Books, Kindle, and Google Play Books.
3. How do I choose a Microcomputer Design book to read? Genres: Consider the genre you enjoy (fiction, non-fiction, mystery, sci-fi, etc.). Recommendations: Ask friends, join book clubs, or explore online reviews and recommendations. Author: If you like a particular author, you might enjoy more of their work.
4. How do I take care of Microcomputer Design books? Storage: Keep them away from direct sunlight and in a dry environment. Handling: Avoid folding pages, use bookmarks, and handle them with clean hands. Cleaning: Gently dust the covers and pages occasionally.
5. Can I borrow books without buying them? Public Libraries: Local libraries offer a wide range of books for borrowing. Book Swaps: Community book exchanges or online platforms where people exchange books.
6. How can I track my reading progress or manage my book collection? Book Tracking Apps: Goodreads, LibraryThing, and Book Catalogue are popular apps for tracking your reading progress and managing book collections. Spreadsheets: You can create your own spreadsheet to track books read, ratings, and other details.

7. What are Microcomputer Design audiobooks, and where can I find them? Audiobooks: Audio recordings of books, perfect for listening while commuting or multitasking. Platforms: Audible, LibriVox, and Google Play Books offer a wide selection of audiobooks.
8. How do I support authors or the book industry? Buy Books: Purchase books from authors or independent bookstores. Reviews: Leave reviews on platforms like Goodreads or Amazon. Promotion: Share your favorite books on social media or recommend them to friends.
9. Are there book clubs or reading communities I can join? Local Clubs: Check for local book clubs in libraries or community centers. Online Communities: Platforms like Goodreads have virtual book clubs and discussion groups.
10. Can I read Microcomputer Design books for free? Public Domain Books: Many classic books are available for free as they're in the public domain. Free E-books: Some websites offer free e-books legally, like Project Gutenberg or Open Library.

Find Microcomputer Design :

complete beginner guide to grow email list using AI with free tools BATCH79-584

free way to grow email list using AI in the United States BATCH79-718

proven strategy to use AI for TikTok growth for beginners BATCH79-3

easy method to use AI for Instagram marketing for beginners BATCH79-1569

best way to make money with AI tools for content creators BATCH79-1532

easy method to create AI powered SaaS without paid ads BATCH79-2489

free way to automate dropshipping with AI organically BATCH79-1951

without experience how to use AI for lead generation organically BATCH79-85

without experience how to automate customer service with AI without paid ads BATCH79-1616

complete beginner guide to use AI for ecommerce store in 2026 BATCH79-2219

low budget way to start AI consulting business for content creators BATCH79-74

~~without experience how to use AI for Instagram marketing for content creators BATCH79-1048~~

how to rank website using AI SEO tools step by step BATCH79-353

~~best way to create marketing funnel with AI organically BATCH79-2376~~

easy method to launch AI agency with free tools BATCH79-256

Microcomputer Design :

Elementary Statistics Using Excel - 5th Edition - Quizlet Find step-by-step solutions and answers to Elementary Statistics Using Excel ... Elementary Statistics Using Excel 5th Edition by Mario F. Triola. More ... Student's Solutions Manual for Elementary Statistics Using ... Mario Triola. Student's Solutions Manual for Elementary Statistics Using Excel. 5th Edition. ISBN-13: 978-0321851673, ISBN-10: 0321851676. 3.0 3.0 out of 5 ... Essentials of Statistics 5th Edition Triola Solutions Manual Essentials of Statistics 5th Edition. Triola Solutions Manual. Visit to download the full and correct content document: Student's Solutions Manual for Elementary Statistics Using... Student's Solutions Manual for Elementary Statistics Using Excel 5th edition by Triola, Mario F. (2013) Paperback. 3.0 3.0 out of 5 stars 4 Reviews. Elementary Statistics Using Excel Textbook Solutions Elementary Statistics Using Excel textbook solutions from Chegg, view all supported editions ... Elementary Statistics Using Excel 5th Edition by Mario F. Triola ... Student's Solutions Manual for Elementary Statistics Using ... Student's Solutions Manual for Elementary Statistics Using Excel 5th edition ; ISBN-13: 9780321851673 ; Authors: Mario F Triola, Mario Triola ; Full Title: ... Elementary Statistics: Picturing the World - 5th Edition Find step-by-step solutions and answers to Elementary Statistics: Picturing the World - 9780321693624, as well as thousands of textbooks so you can move ... Student's Solutions Manual for Elementary Statistics Using ... Buy Student's Solutions Manual for Elementary Statistics Using Excel 5th edition (9780321851673) by Mario F. Triola for up to 90% off at Textbooks.com. Elementary Statistics Using The Ti-83/84 Plus Calculator ... Textbook solutions for Elementary Statistics Using The Ti-83/84 Plus... 5th Edition Mario F. Triola and others in this series. View step-by-step homework ... Elementary Statistics Using the TI-83/84 Plus Calculator ... Browse Elementary Statistics Using the TI-83/84 Plus Calculator (5th Edition) Textbook Solutions to find verified answers to questions and quizzes. gemini separable compressors Gemini Compressors ; Max power (hp) (kW), 60 45, 120 89 ; Stroke (in/mm), 3 / 76 ; Max RPM, 1,800 ; Combined rod load (lbf/kN). Gemini Compressors New Gemini compressors are rated 60 hp to 800 hp. Unsurpassed service for applications such as fuel-gas boosting, gas gathering, and more. Compression End Series User Manual Serviceable Series User Manual. This User Manual covers Gemini's Models; A500 Pneumatic Actuators, 600 Electric Actuators, and 89 Model Ball... Download. Gemini Gas Compression Products Sep 10, 2021 — Each Gemini compressor has been expertly designed to be directly ... Now, Ironline Compression is ready to assist with parts and services ... Gemini ES602 E602 FS602 F602 Compressor Owner ... Gemini ES602 E602 FS602 F602 Compressor Owner Operator & Installation Manual ; Condition. Good ; Quantity. 1 available ; Item Number. 254789605788 ; Accurate ... Gemini DS602 D602 DS604 D604 Compressor Owner ... Gemini DS602 D602 DS604 D604 Compressor Owner Operator & Installation Manual ; Condition. Good ; Quantity. 1 available ; Item Number. 255220422776 ; Accurate ... M Series Gemini | PDF Overview. The GEMINI M Series pack big compressor performance into a small, low horsepower design. ... Plymouth and Chrysler-built cars Complete Owner's Handbook ... Compressor GE H-302 Spec | PDF ... manual blowdown

valve piped to high pressure vent header. Pst Discharge ... Gemini H302, two-stage reciprocating gas compressor - Sweet process gas - Panel ... Ge H302 Series Manuals Ge H302 Series Pdf User Manuals. View online or download Ge H302 Series Operating Manual. User manual Altec Lansing IMT810 (English - 92 pages) Manual. View the manual for the Altec Lansing IMT810 here, for free. This manual comes under the category cradles & docking stations and has been rated by 2 ... ALTEC LANSING MIX iMT810 User Manual This Altec Lansing speaker system is compatible with all iPhone and iPod models. Please carefully read this User Guide for instructions on setting up and using ... Altec Lansing Docking speakers user manuals download Download Altec Lansing Docking speakers user manuals PDF. Browse online operating user's guides, owner's manual for Altec Lansing Docking speakers free. Altec Lansing IMT810 User Guide - manualzz.com View online(92 pages) or download PDF(16.73 MB) Altec Lansing IMT810 User guide • IMT810 docking speakers pdf manual download and more Altec Lansing online ... Altec Lansing user manuals download Download Altec Lansing user manuals, owners guides and PDF instructions. Altec Lansing manuals Altec Lansing IMT810. manual92 pages. Altec Lansing MZX857 ... use your Altec Lansing headset, refer to the user manual. Earphones: True ... Altec Lansing IMT800 User Manual This Altec Lansing speaker system is compatible with all iPhone and iPod models. Please carefully read this User Guide for instructions on setting up and using ... Altec Lansing MIX BoomBox - IMT810 Altec Lansing MIX BoomBox - IMT810; Clip-on Full Feature Remote; 2 x AUX Cables; Miscellaneous Adapters for iPhone & iPod; AC Adapter; User's Guide; Quick ... Altec Lansing Mini Life Jacket 2 user manual (English User manual. View the manual for the Altec Lansing Mini Life Jacket 2 here, for free. This manual comes under the category cradles & docking stations and ... Have an Altec Lansing IMT810 MIX boombox that suddenly ... Jun 26, 2016 — With no firmware source and the challenge of getting hold of a one-time-use flashing jig, then no possible course of action. Of course a ...