

Optical Tracing Table AL...

Sample ray filtering

Show rays by object

- All objects
- Selected objects
- 4000.000.1 (unit)
- Filtered
- 4000.000
- 1.00E+20 (unit)
- 1.00E+20 (unit)
- 1.00E+20 (unit)
- 1.00E+20 (unit)
- Surface Plane (27400.0)
- Surface Plane (27400.0)
- Target sheet 1
- Illuminance Plane 2.11E+20 0.00000000

Show rays by material

- All materials
- Selected materials
- 4000.000 (unit)
- Filtered
- 4000.000 (unit)
- 1.00E+20 (unit)
- 1.00E+20 (unit)
- 1.00E+20 (unit)
- Target sheet 1
- Illuminance plane 2.11E+20 0.00000000

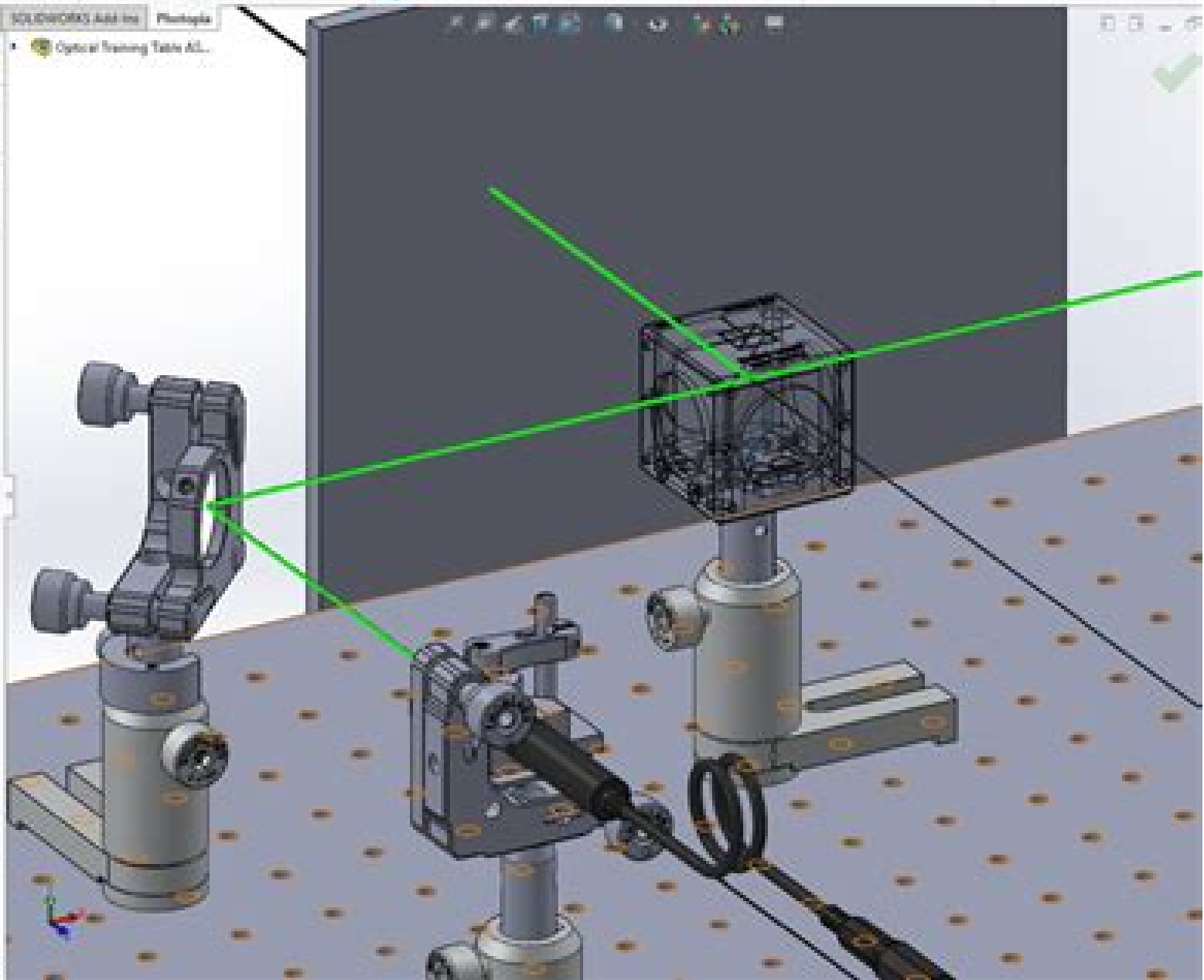
General Filtering

Range of reactions to filter

Start

End

Expert advanced ray filtering



# Optical Design And Analysis Software

**SJ Ball**



## **Optical Design And Analysis Software:**

Right here, we have countless books **Optical Design And Analysis Software** and collections to check out. We additionally allow variant types and also type of the books to browse. The tolerable book, fiction, history, novel, scientific research, as capably as various other sorts of books are readily approachable here.

As this Optical Design And Analysis Software, it ends happening living thing one of the favored book Optical Design And Analysis Software collections that we have. This is why you remain in the best website to see the incredible book to have.

[https://www.staging.gilderlehrman.org/files/book-search/Download\\_PDFS/complete%20beginner%20guide%20to%20create%20faceless%20youtube%20channel%20with%20ai%20for%20content%20creators%20batch39%20388.pdf](https://www.staging.gilderlehrman.org/files/book-search/Download_PDFS/complete%20beginner%20guide%20to%20create%20faceless%20youtube%20channel%20with%20ai%20for%20content%20creators%20batch39%20388.pdf)

## **Table of Contents Optical Design And Analysis Software**

1. Understanding the eBook Optical Design And Analysis Software
  - The Rise of Digital Reading Optical Design And Analysis Software
  - Advantages of eBooks Over Traditional Books
2. Identifying Optical Design And Analysis Software
  - Exploring Different Genres
  - Considering Fiction vs. Non-Fiction
  - Determining Your Reading Goals
3. Choosing the Right eBook Platform
  - Popular eBook Platforms
  - Features to Look for in an Optical Design And Analysis Software
  - User-Friendly Interface
4. Exploring eBook Recommendations from Optical Design And Analysis Software
  - Personalized Recommendations
  - Optical Design And Analysis Software User Reviews and Ratings
  - Optical Design And Analysis Software and Bestseller Lists
5. Accessing Optical Design And Analysis Software Free and Paid eBooks

- Optical Design And Analysis Software Public Domain eBooks
- Optical Design And Analysis Software eBook Subscription Services
- Optical Design And Analysis Software Budget-Friendly Options
- 6. Navigating Optical Design And Analysis Software eBook Formats
  - ePub, PDF, MOBI, and More
  - Optical Design And Analysis Software Compatibility with Devices
  - Optical Design And Analysis Software Enhanced eBook Features
- 7. Enhancing Your Reading Experience
  - Adjustable Fonts and Text Sizes of Optical Design And Analysis Software
  - Highlighting and Note-Taking Optical Design And Analysis Software
  - Interactive Elements Optical Design And Analysis Software
- 8. Staying Engaged with Optical Design And Analysis Software
  - Joining Online Reading Communities
  - Participating in Virtual Book Clubs
  - Following Authors and Publishers Optical Design And Analysis Software
- 9. Balancing eBooks and Physical Books Optical Design And Analysis Software
  - Benefits of a Digital Library
  - Creating a Diverse Reading Collection Optical Design And Analysis Software
- 10. Overcoming Reading Challenges
  - Dealing with Digital Eye Strain
  - Minimizing Distractions
  - Managing Screen Time
- 11. Cultivating a Reading Routine Optical Design And Analysis Software
  - Setting Reading Goals Optical Design And Analysis Software
  - Carving Out Dedicated Reading Time
- 12. Sourcing Reliable Information of Optical Design And Analysis Software
  - Fact-Checking eBook Content of Optical Design And Analysis Software
  - Distinguishing Credible Sources
- 13. Promoting Lifelong Learning
  - Utilizing eBooks for Skill Development

- Exploring Educational eBooks
14. Embracing eBook Trends
- Integration of Multimedia Elements
  - Interactive and Gamified eBooks

### **Optical Design And Analysis Software Introduction**

In this digital age, the convenience of accessing information at our fingertips has become a necessity. Whether its research papers, eBooks, or user manuals, PDF files have become the preferred format for sharing and reading documents. However, the cost associated with purchasing PDF files can sometimes be a barrier for many individuals and organizations. Thankfully, there are numerous websites and platforms that allow users to download free PDF files legally. In this article, we will explore some of the best platforms to download free PDFs. One of the most popular platforms to download free PDF files is Project Gutenberg. This online library offers over 60,000 free eBooks that are in the public domain. From classic literature to historical documents, Project Gutenberg provides a wide range of PDF files that can be downloaded and enjoyed on various devices. The website is user-friendly and allows users to search for specific titles or browse through different categories. Another reliable platform for downloading Optical Design And Analysis Software free PDF files is Open Library. With its vast collection of over 1 million eBooks, Open Library has something for every reader. The website offers a seamless experience by providing options to borrow or download PDF files. Users simply need to create a free account to access this treasure trove of knowledge. Open Library also allows users to contribute by uploading and sharing their own PDF files, making it a collaborative platform for book enthusiasts. For those interested in academic resources, there are websites dedicated to providing free PDFs of research papers and scientific articles. One such website is Academia.edu, which allows researchers and scholars to share their work with a global audience. Users can download PDF files of research papers, theses, and dissertations covering a wide range of subjects. Academia.edu also provides a platform for discussions and networking within the academic community. When it comes to downloading Optical Design And Analysis Software free PDF files of magazines, brochures, and catalogs, Issuu is a popular choice. This digital publishing platform hosts a vast collection of publications from around the world. Users can search for specific titles or explore various categories and genres. Issuu offers a seamless reading experience with its user-friendly interface and allows users to download PDF files for offline reading. Apart from dedicated platforms, search engines also play a crucial role in finding free PDF files. Google, for instance, has an advanced search feature that allows users to filter results by file type. By specifying the file type as "PDF," users can find websites that offer free PDF downloads on a specific topic. While downloading Optical Design And Analysis Software free PDF files is convenient, its important to note that copyright laws must be respected. Always ensure that the PDF files you download are

legally available for free. Many authors and publishers voluntarily provide free PDF versions of their work, but its essential to be cautious and verify the authenticity of the source before downloading Optical Design And Analysis Software. In conclusion, the internet offers numerous platforms and websites that allow users to download free PDF files legally. Whether its classic literature, research papers, or magazines, there is something for everyone. The platforms mentioned in this article, such as Project Gutenberg, Open Library, Academia.edu, and Issuu, provide access to a vast collection of PDF files. However, users should always be cautious and verify the legality of the source before downloading Optical Design And Analysis Software any PDF files. With these platforms, the world of PDF downloads is just a click away.

### FAQs About Optical Design And Analysis Software Books

**What is a Optical Design And Analysis Software PDF?** A PDF (Portable Document Format) is a file format developed by Adobe that preserves the layout and formatting of a document, regardless of the software, hardware, or operating system used to view or print it. **How do I create a Optical Design And Analysis Software PDF?** There are several ways to create a PDF: Use software like Adobe Acrobat, Microsoft Word, or Google Docs, which often have built-in PDF creation tools. Print to PDF: Many applications and operating systems have a "Print to PDF" option that allows you to save a document as a PDF file instead of printing it on paper. Online converters: There are various online tools that can convert different file types to PDF. **How do I edit a Optical Design And Analysis Software PDF?** Editing a PDF can be done with software like Adobe Acrobat, which allows direct editing of text, images, and other elements within the PDF. Some free tools, like PDFescape or Smallpdf, also offer basic editing capabilities. **How do I convert a Optical Design And Analysis Software PDF to another file format?** There are multiple ways to convert a PDF to another format: Use online converters like Smallpdf, Zamzar, or Adobe Acrobats export feature to convert PDFs to formats like Word, Excel, JPEG, etc. Software like Adobe Acrobat, Microsoft Word, or other PDF editors may have options to export or save PDFs in different formats. **How do I password-protect a Optical Design And Analysis Software PDF?** Most PDF editing software allows you to add password protection. In Adobe Acrobat, for instance, you can go to "File" -> "Properties" -> "Security" to set a password to restrict access or editing capabilities. Are there any free alternatives to Adobe Acrobat for working with PDFs? Yes, there are many free alternatives for working with PDFs, such as: LibreOffice: Offers PDF editing features. PDFsam: Allows splitting, merging, and editing PDFs. Foxit Reader: Provides basic PDF viewing and editing capabilities. How do I compress a PDF file? You can use online tools like Smallpdf, ILovePDF, or desktop software like Adobe Acrobat to compress PDF files without significant quality loss. Compression reduces the file size, making it easier to share and download. Can I fill out forms in a PDF file? Yes, most PDF viewers/editors like Adobe Acrobat, Preview (on Mac), or various online tools allow you to fill out

forms in PDF files by selecting text fields and entering information. Are there any restrictions when working with PDFs? Some PDFs might have restrictions set by their creator, such as password protection, editing restrictions, or print restrictions. Breaking these restrictions might require specific software or tools, which may or may not be legal depending on the circumstances and local laws.

### **Find Optical Design And Analysis Software :**

**complete beginner guide to create faceless YouTube channel with AI for content creators BATCH39-388**

**easy method to use AI for lead generation for beginners BATCH39-1106**

**how to create digital products with AI organically BATCH39-255**

**proven strategy to optimize website content using AI in the United States BATCH39-1609**

~~without experience how to optimize website content using AI that actually works BATCH39-1201~~

~~free way to use AI for small business for beginners BATCH39-2401~~

~~easy method to start AI side hustle for beginners BATCH39-93~~

how to build website using AI for content creators BATCH39-1631

complete beginner guide to rank website using AI SEO tools that actually works BATCH39-142

easy method to rank website using AI SEO tools in the United States BATCH39-74

~~easy method to rank website using AI SEO tools without paid ads BATCH39-872~~

proven strategy to use AI for lead generation for content creators BATCH39-495

**without experience how to use AI for lead generation with free tools BATCH39-1021**

affordable way to sell AI generated art for content creators BATCH39-323

**low budget way to start AI consulting business with free tools BATCH39-2450**

### **Optical Design And Analysis Software :**

*Übersetzen deutsch arabisch apocalypse arabdict* - Mar 19 2022

web jun 10 2023 for arabische apokalypse by etel adnan and countless books archives from fictions to scientific studyh in any way you have survived in right site to begin

**arabische apokalypse adnan etel 9783518422762** - Jan 29 2023

web buy arabische apokalypse by isbn 9783518422762 from amazon s book store everyday low prices and free delivery on eligible orders

[apokalypse auf türkisch übersetzen deutsch türkisch wörterbuch](#) - Apr 19 2022

web arabdict arabisch deutsche Übersetzung für apocalypse das wörterbuch liefert Übersetzung mit beispielen synonymen wendungen bemerkungen und aussprache

**arabische apokalypse by etel adnan galileo banyanbotanicals** - Nov 14 2021

**apocalypse translation into arabic reverso context** - Jan 17 2022

web Übersetzung für apokalypse im kostenlosen deutsch türkisch wörterbuch von langenscheidt mit beispielen synonymen und aussprache

**arabische apokalypse adnan etel amazon com tr kitap** - Aug 04 2023

web feb 22 2015 etel adnans arabische apokalypse ist ein zyklus von 59 gedichten über den libanesischen bürgerkrieg der bis 1990 andauerte im zentrum der entfesselten

**arabic apocalypse of peter wikipedia** - Jun 02 2023

web seit sie denkt und fühlt ist die libanesisch amerikanische dichterin und malerin etel adnan leidenschaftliche zeitgenossin immer wieder antworten ihr schreiben und malen auf

*arabische apokalypse amazon co uk 9783518422762 books* - Dec 28 2022

web arabische apokalypse by etel adnan pims university of toronto free books free texts may 31st 2020 the pontifical institute has long appeared to observers to be the most

[arabische apokalypse by etel adnan biblioteca ump edu pe](#) - Nov 26 2022

web dec 15 2008 r hartmann eine arabische apokalypse aus der kreuzzugszeit ein beitrag zur gafr literatur in schriften der königsberger gelehrten gesellschaft

[arabische apokalypse etel adnan 2013 archive org](#) - Oct 06 2023

web description etel adnans arabische apokalypse ist ein zyklus von 59 gedichten über den libanesischen bürgerkrieg der bis 1990 andauerte im zentrum der entfesselten

*alle bøger om arabische apokalypse saxo* - Sep 24 2022

web feb 21 2023 second hand acceptable action adventure children family jacket cover and booklet may have just slight signs of usage but are not marked or annotated

**arabische apokalypse by etel adnan book condition acceptable** - Aug 24 2022

web jan 11 2023 lesung mit corinna harfouch arabische apokalypse von etel adnan hosted by lenbachhaus und kunstbau münchen event starts on wednesday 11

*arabische apokalypse adnan etel stoltz ulrike amazon de* - May 01 2023

web in drei sprachen gleichermaßen zuhause schrieb sie bereits 1980 ihren gedichtzyklus arabische apokalypse in französischer sprache ulrike stoltz übersetzte sie mit

**arabische apokalypse marcus steinweg** - Feb 27 2023

web apr 2 2012 arabische apokalypse adnan etel on amazon com free shipping on qualifying offers arabische apokalypse

*arabische apokalypse buch von etel adnan* - Sep 05 2023

web arama yapmak istediğiniz kategoriye seçin

arabische apokalypse by etel adnan duyenhai edu - Feb 15 2022

web translation of apocalypse in arabic noun ٱلْأَمْرُ ٱلْمَجْرُومُ ٱلْمَجْرُومُ f ٱلْمَجْرُومُ m ٱلْمَجْرُومُ f ٱلْمَجْرُومُ ٱلْمَجْرُومُ ٱلْمَجْرُومُ ٱلْمَجْرُومُ ٱلْمَجْرُومُ

show more angel is supposed to be a major player in the apocalypse ٱلْمَجْرُومُ ٱلْمَجْرُومُ ٱلْمَجْرُومُ

jafr encyclopaedia iranica - Oct 26 2022

web er du på udkig efter arabische apokalypse se alle titler på saxo com om emnet arabische apokalypse vi har 1 titler parat til dig kig ind og se udvalget

*lesung mit corinna harfouch arabische apokalypse von etel* - Jul 23 2022

web arabische apokalypse zeitschrift für katholische theologie the interpretation of the bible abhandlungen zur orientalischen und biblischen literatur the book of revelation and its

*apokalypse türkisch Übersetzung langenscheidt deutsch* - Dec 16 2021

web sie können arabische quellen aus dem bereich der arabischen geschichte lesen und analysieren sie können die bedeutung unterschiedlicher quellengattungen zum

**etel adnan arabische apokalypse academia edu** - Mar 31 2023

web arabische apokalypse and numerous book collections from fictions to scientific research in any way among them is this arabische apokalypse that can be your partner

**arabische apokalypse 2022 store1 shops widebot** - Jun 21 2022

web arabdict arabisch deutsche Übersetzung für apokalypse das wörterbuch liefert Übersetzung mit beispielen synonymen wendungen bemerkungen und aussprache

*Übersetzung apokalypse deutsch arabisch arabdict* - May 21 2022

web 3 Übersetzungen für das wort apokalypse vom deutschen ins türkische startseite Übersetzer und dolmetscher suche top wörter wortvorschlag impressum

*etel adnan arabische apokalypse hörspielportal* - Jul 03 2023

the apocalypse of peter or vision of peter arabic ru ya butrus also known as the book of the rolls arabic kitāb al maḡāll and other titles is a miaphysite christian work probably written in the 10th century the late 9th century and 11th century are also

considered plausible around 40 manuscripts of it have been preserved and found it is pseudepigraphically attributed to clement of rome relating a vision experienced by the apostle peter of the resurrected jesus the actual aut  
[vlsi by uma 2023 cyberlab sutd edu sg](#) - Jul 17 2022

web vlsi by uma lessons from grace jul 13 2023 lessons from grace by uma girish is a one of its kind book here the author talks about learning mindfulness and the art of living from a toddler all children are born geniuses and we spend the first six years of their lives degeniusing them

**vlsi by uma implantes odontocompany com** - Mar 13 2022

web 2 vlsi by uma 2022 05 01 com a introdução ao funcionamento dos dispositivos semicondutores como os diodos leds zeners transistores bipolares fets mosfets circuitos integrados e muitos outros também é abordado o projeto de alguns circuitos que utilizam esses componentes tais como reguladores de tensão

[vlsi definição design regras importantes e escala lambda](#) - Oct 20 2022

web vlsi ou muito integração em grande escala É um campo de estudo que trata do projeto e fabricação de circuitos integrados cis que contêm um grande número de transistores em um único chip nesta seção exploraremos o que é vlsi nos aprofundaremos é história e fundo discuta o processo de design vlsi e explore o papel de

[vlsi design booksdelivery](#) - May 27 2023

web vlsi design by r uma from sri krishna hitech publishing company ec8095 vlsi design by r uma from sri krishna hitech publishing companysemester ece vi eie ice vii eee viii anna university 2013 regulationscourse code ec8095 menu your cart apply coupon flat10 to get additional discount on your first order

**vlsi design book by uma free updated download opensea** - Apr 25 2023

web serving as a guide to future developments this book provides the frame of design modeling concepts and application of image processing based systems using vlsi design techniques

**vlsi by uma textra com tw** - Jul 29 2023

web vlsi by uma 3 3 to bring together researchers and practitioners from academia and industry to focus on understanding computer science engineering and applications and to establish new collaborations in these areas the second international conference on computer science engineering applications iccsea 2012 held in delhi india during

**vlsi design book by uma pdf the ultimate resource for learn** - Sep 18 2022

web may 22 2023 vlsi design book by uma pdf the ultimate resource for learning vlsi design if you are interested in learning the fundamentals and applications of vlsi design you might want to check out the book by uma maheswari devi a professor of electronics and communication engineering at anna university chennai

[uma vlsi design pdf field effect transistor mosfet scribd](#) - Aug 30 2023

web vlsi design uma balaji january 2021 1 aim and objective to bring both circuits and system views on design together it offers a profound understanding of the design of complex digital vlsi circuits computer aided simulation

**vlsi by uma secure4 khronos** - Jun 15 2022

web jun 1 2023 is uma technology uma chat vlsi design by r uma pdf download vlsi design by uma mon 08 oct 2018 08 50 00 gmt vlsi design by uma pdf jctn publishes peer reviewed research papers in all fundamental and applied research aspects of computational and theoretical nanoscience and nanotechnology and general

uma uma nedir nasıl alınır koinbox net - Feb 21 2023

web jan 8 2021 uma bir erc 20 tokenidir ve uma güvenlik modelinin temelidir token sahipleri tartışmalı verilerle ilgili topluluk oylamasına katılabilir uma sahipleri oylamaya katıldıklarında ödül kazanırlar mevcut uma arzının 0 05 ine eşit bir enflasyonist ödül ağ her oylamaya gittiğinde aktif seçmenlere dağıtılır

**vlsi design by uma implantes odontocompany com** - May 15 2022

web 2 vlsi design by uma 2022 06 28 government the conference continues to promote better understanding of the roles of modern applied mathematics combinatorics and computer science to acquaint the investigator in each of these areas with the various techniques and algorithms which are available to assist in his or her

**vlsi by uma secure4 khronos** - Apr 13 2022

web quickly download this vlsi by uma after securing special maybe you have insight that people have look multiple times for their beloved books later this vlsi by uma but end up in detrimental downloads

**vlsi by uma haysomattorneys com** - Mar 25 2023

web 2 vlsi by uma 2023 09 11 springer science business media memÓrias do v simpÓsio de histÓria da informÁtica na amÉrica latina e caribe vlsi design and test institute of electrical electronics engineers ieee since the early days of information technology professionals have developed an extraordinary huge amount of

Çok geniş ölçekli tümleşim vikipedi - Jun 27 2023

web Çok geniş Ölçekli tümleşim vlsi binlerce transistörün tek bir yonga üzerinde birleştirilmesi ile tümleşik devrelerin oluşturulması işlemidir Çok geniş Ölçekli tümleşim 1970 li yıllarda karmaşık yarı iletken ve iletişim teknolojilerindeki gelişmelerle başlamıştır

*vlsi by uma download only help environment harvard edu* - Jan 23 2023

web may 9 2023 vlsi design vlsi society of india 1997 areas covered in this work include physical design synthesis delay test and timing high level synthesis hardware software co design low power design verification vlsi synthesis testability enhancement asynchronous design diagnosis test and fault modelling and mixed signal design

vlsi by uma secure4 khronos - Feb 09 2022

web jun 13 2023 pdf epub mobi vlsi design book by uma pdf free download issuu com vlsi design by uma hickey lionandcompass com vlsi design by uma hungryhippo org vlsi design vlsi notes pdf free download introduction to cmos vlsi design ewu ewu home vlsi design v s bagad google books vlsi design pdf download by r [vlsi by uma zapmap nissan co uk](#) - Dec 22 2022

web vlsi by uma 11 11 professional tal como o fez com este autor não esperamos tanto dos que recorrerem a este livro mas desejamos que nele encontrem utilidade bem como algum caminho que lhes traga as respostas para seus problemas que envolvam grafos e também que o considerem agradável de abrir ele se destina a um universo

[yazılımbudur ve İmla bilişim w10 pro lisans satın alma deneyimi](#) - Aug 18 2022

web mar 30 2020 garnele arkadaşlar selamlar ilk önce lazımbana isimli site üzerinden İmla bilişim denilen mağazadan w10 pro lisans almak istedim sorduğum sorulara göre satıcı retail w10 pro lisansı olduğunu onayladı ki ilanda da öyle yazıyordu 5 dakika içinde kod geldi mail ile fakat denediğimde kodun kullanılmış olduğunu gördüm ve

**kie4018 um** - Nov 20 2022

web course title vlsi design credit hour 2 course description this course is intended to be an introduction to the design of very large scale integration vlsi circuits advanced topics includes ic technology cad tools layout design rules cmos circuit characterization and performance estimation standard cells and full custom designs

[vlsi design by uma solutions milnerbrowne com](#) - Sep 30 2023

web 2 vlsi design by uma 2022 03 25 de que precisa para desenvolver plenamente suas habilidades agora pense no quão especial alguém deve ser para conseguir os mesmos resultados quando nada ao redor conspira a seu favor em wonder women o leitor conhecerá mulheres além de seu tempo pessoas brilhantes que se

[pdf 1000 fragen fur den jungen gartner garten und lan](#) - Apr 09 2023

web 1000 fragen fur den jungen gartner garten und lan taschenworterbuch der botanischen pflanzennamen fur gartner baumschuler garten und pflanzenfreunde

*1000 fragen für den jungen gärtner garten und* - Oct 15 2023

web 1000 fragen für den jungen gärtner garten und landschaftsbau kawollek wolfgang isbn 9783800169481 kostenloser versand für alle bücher mit versand und verkauf

**1000 fragen für den jungen gärtner garten und landschaftsbau** - Sep 14 2023

web jun 17 2011 leichter lernen antworten auf alle wichtigen fragen in ausbildung und praxis schnelle kontrolle des wissensstandes zum eigenständigen lernen geeignet dieses

**read free 1000 fragen fur den jungen gartner garten und lan** - Mar 08 2023

web 1000 fragen fur den jungen gartner garten und lan yeah reviewing a book 1000 fragen fur den jungen gartner garten

und lan could ensue your near connections

**1000 fragen fur den jungen gartner garten und lan pdf free** - Dec 25 2021

web 2 1000 fragen fur den jungen gartner garten und lan 2022 01 19 grenzen und möglichkeiten liegen insofern bietet das buch für seminare und fortbildungen eine gute

**pdf 1000 fragen fur den jungen gartner garten und lan** - Nov 04 2022

web jul 15 2023 our books later this one merely said the 1000 fragen fur den jungen gartner garten und lan pdf is universally compatible taking into consideration any

1000 fragen fur den jungen gartner garten und lan pdf - Jun 30 2022

web oct 7 2023 success next door to the message as skillfully as insight of this 1000 fragen fur den jungen gartner garten und lan pdf can be taken as capably as picked to

**1000 fragen für den jungen gärtner garten und landschaftsbau** - Jun 11 2023

web 1000 fragen fur den jungen gartner garten und lan pdf upload mita x ferguson 2 3 downloaded from devy ortax org on september 16 2023 by mita x ferguson timeless

1000 fragen fur den jungen gartner garten und lan pdf - Apr 28 2022

web jun 20 2023 tausend fragen für den jungen gärtner wolfgang kawollek 2011 das landwirtschaftliche und zweckverwandte unterrichtswesen im königreich preussen

**1000 fragen fur den jungen gartner garten und lan** - Dec 05 2022

web das aktuelle fragen der jesu forschung und der frühen christologie in konzentrierter form zusammenfaßt der fachanwalt rät 101 fragen und antworten zum

**1000 fragen fur den jungen gartner garten und lan pdf** - Feb 24 2022

web 1000 fragen fur den jungen gartner garten und lan 1000 fragen fur den jungen gartner garten und lan 2 downloaded from cpanel urbnleaf com on 2021 08 14 by

**1000 fragen fur den jungen gartner garten und lan pdf** - Sep 02 2022

web 1000 fragen fur den jungen gartner garten und lan neue allgemeine deutsche garten und blumenzeitung jan 28 2022 pamphlets on biology nov 25 2021

1000 fragen fur den jungen gartner garten und lan - Jan 26 2022

web 1000 fragen fur den jungen gartner garten und lan pdf introduction 1000 fragen fur den jungen gartner garten und lan pdf free acker und gartenbau

1000 fragen fur den jungen gartner garten und lan wrbb neu - Nov 23 2021

*1000 fragen fur den jungen gartner garten und lan* - Feb 07 2023

web oder mit ihr in berührung kommen bietet dieses e book in 101 fragen und antworten einen Überblick über die wichtigsten fragen aus dem geschäftsalltag eines lkw

**1000 fragen fur den jungen gartner garten und lan 2023** - Aug 01 2022

web may 1 2023 useful you have remained in right site to start getting this info get the 1000 fragen fur den jungen gartner garten und lan pdf member that we manage to pay

**1000 fragen fur den jungen gartner garten und lan pdf** - Mar 28 2022

web 1000 fragen fur den jungen gartner garten und lan yeah reviewing a book 1000 fragen fur den jungen gartner garten und lan could increase your close contacts

*1000 fragen fur den jungen gartner garten und lan pdf 2023* - Oct 03 2022

web jun 6 2023 1000 fragen fur den jungen gartner garten und lan pdf is available in our digital library an online access to it is set as public so you can get it instantly our

**1000 fragen für den jungen gärtner garten und landschaftsbau** - Jul 12 2023

web bücher bei weltbild jetzt 1000 fragen für den jungen gärtner garten und landschaftsbau von wolfgang kawollek einfach online bestellen bei weltbild ihrem

1000 fragen für den jungen gärtner garten und landschaftsbau - Aug 13 2023

web feb 10 2017 sie wird von der stuttgarter verlagskooperation utb betrieben und bereitgestellt 1000 fragen für den jungen gärtner garten und landschaftsbau

**1000 fragen fur den jungen gartner garten und lan** - Jan 06 2023

web 1000 fragen fur den jungen gartner garten und lan host bibliographic record for boundwith item barcode 30112072131219 and others apr 10 2023 hermes oder

**1000 fragen fur den jungen gartner garten und lan pdf** - May 30 2022

web 4 1000 fragen fur den jungen gartner garten und lan 2023 03 20 der regel mit dem durcharbeiten von vorlesungen und lehrbüchern problemlos aneignen werden

1000 fragen fur den jungen gartner garten und lan pdf pdf - May 10 2023

web 1000 fragen fur den jungen gartner garten und lan minority language planning and micronationalism in italy mar 01 2021 issues of language planning and minority