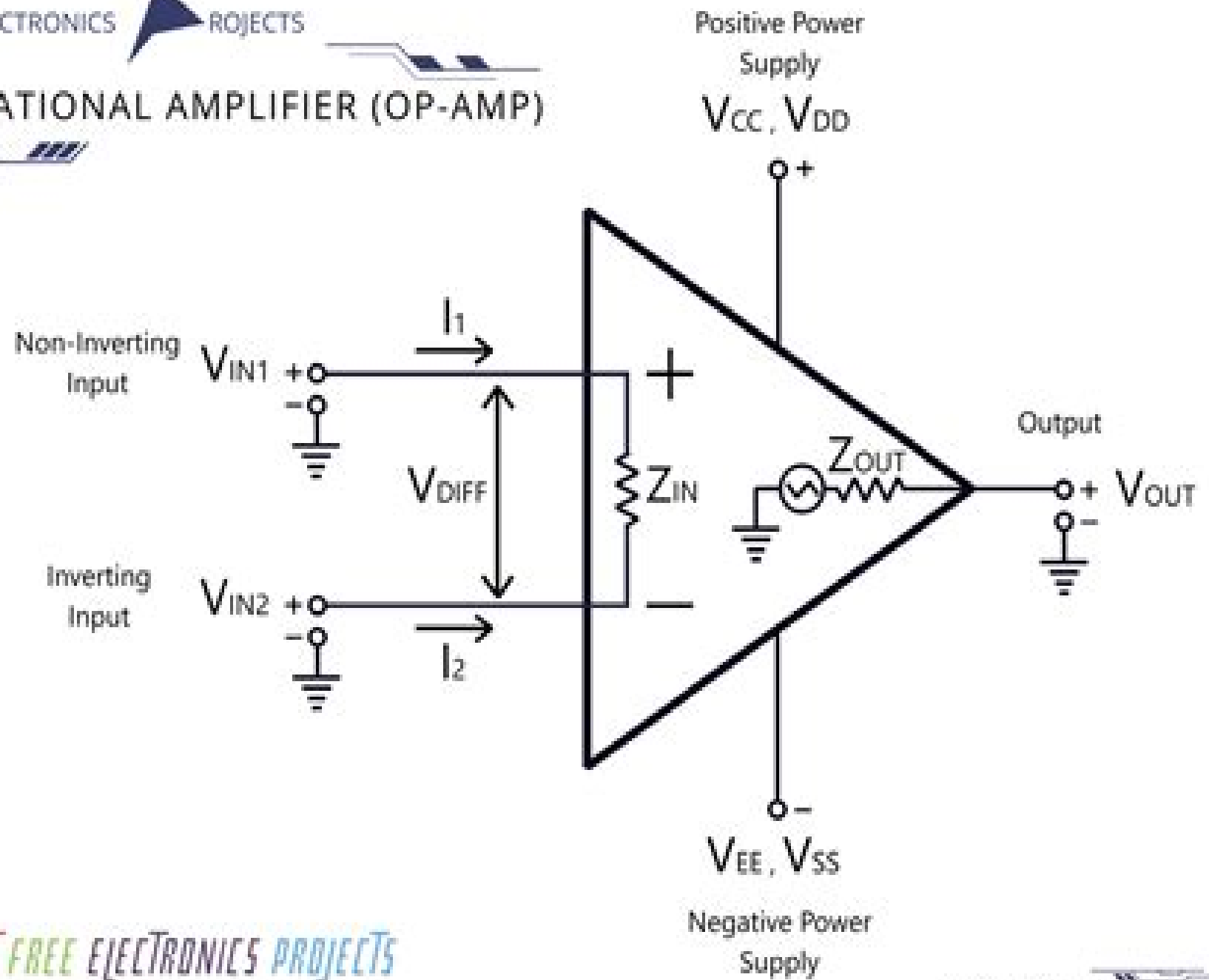


# OPERATIONAL AMPLIFIER (OP-AMP)



# Operational Amplifiers For Technicians

**Lingsheng Yao**



## **Operational Amplifiers For Technicians:**

Embark on a transformative journey with Explore the World with is captivating work, Grab Your Copy of **Operational Amplifiers For Technicians** . This enlightening ebook, available for download in a convenient PDF format , invites you to explore a world of boundless knowledge. Unleash your intellectual curiosity and discover the power of words as you dive into this riveting creation. Download now and elevate your reading experience to new heights .

[https://www.staging.gilderlehrman.org/About/virtual-library/default.aspx/Free\\_Way\\_To\\_Start\\_AI\\_Side\\_Hustle\\_In\\_The\\_United\\_States\\_BATCH86\\_730.pdf](https://www.staging.gilderlehrman.org/About/virtual-library/default.aspx/Free_Way_To_Start_AI_Side_Hustle_In_The_United_States_BATCH86_730.pdf)

## **Table of Contents Operational Amplifiers For Technicians**

1. Understanding the eBook Operational Amplifiers For Technicians
  - The Rise of Digital Reading Operational Amplifiers For Technicians
  - Advantages of eBooks Over Traditional Books
2. Identifying Operational Amplifiers For Technicians
  - Exploring Different Genres
  - Considering Fiction vs. Non-Fiction
  - Determining Your Reading Goals
3. Choosing the Right eBook Platform
  - Popular eBook Platforms
  - Features to Look for in an Operational Amplifiers For Technicians
  - User-Friendly Interface
4. Exploring eBook Recommendations from Operational Amplifiers For Technicians
  - Personalized Recommendations
  - Operational Amplifiers For Technicians User Reviews and Ratings
  - Operational Amplifiers For Technicians and Bestseller Lists
5. Accessing Operational Amplifiers For Technicians Free and Paid eBooks
  - Operational Amplifiers For Technicians Public Domain eBooks
  - Operational Amplifiers For Technicians eBook Subscription Services

- Operational Amplifiers For Technicians Budget-Friendly Options
- 6. Navigating Operational Amplifiers For Technicians eBook Formats
  - ePub, PDF, MOBI, and More
  - Operational Amplifiers For Technicians Compatibility with Devices
  - Operational Amplifiers For Technicians Enhanced eBook Features
- 7. Enhancing Your Reading Experience
  - Adjustable Fonts and Text Sizes of Operational Amplifiers For Technicians
  - Highlighting and Note-Taking Operational Amplifiers For Technicians
  - Interactive Elements Operational Amplifiers For Technicians
- 8. Staying Engaged with Operational Amplifiers For Technicians
  - Joining Online Reading Communities
  - Participating in Virtual Book Clubs
  - Following Authors and Publishers Operational Amplifiers For Technicians
- 9. Balancing eBooks and Physical Books Operational Amplifiers For Technicians
  - Benefits of a Digital Library
  - Creating a Diverse Reading Collection Operational Amplifiers For Technicians
- 10. Overcoming Reading Challenges
  - Dealing with Digital Eye Strain
  - Minimizing Distractions
  - Managing Screen Time
- 11. Cultivating a Reading Routine Operational Amplifiers For Technicians
  - Setting Reading Goals Operational Amplifiers For Technicians
  - Carving Out Dedicated Reading Time
- 12. Sourcing Reliable Information of Operational Amplifiers For Technicians
  - Fact-Checking eBook Content of Operational Amplifiers For Technicians
  - Distinguishing Credible Sources
- 13. Promoting Lifelong Learning
  - Utilizing eBooks for Skill Development
  - Exploring Educational eBooks
- 14. Embracing eBook Trends

- Integration of Multimedia Elements
- Interactive and Gamified eBooks

### **Operational Amplifiers For Technicians Introduction**

In today's digital age, the availability of Operational Amplifiers For Technicians books and manuals for download has revolutionized the way we access information. Gone are the days of physically flipping through pages and carrying heavy textbooks or manuals. With just a few clicks, we can now access a wealth of knowledge from the comfort of our own homes or on the go. This article will explore the advantages of Operational Amplifiers For Technicians books and manuals for download, along with some popular platforms that offer these resources. One of the significant advantages of Operational Amplifiers For Technicians books and manuals for download is the cost-saving aspect. Traditional books and manuals can be costly, especially if you need to purchase several of them for educational or professional purposes. By accessing Operational Amplifiers For Technicians versions, you eliminate the need to spend money on physical copies. This not only saves you money but also reduces the environmental impact associated with book production and transportation. Furthermore, Operational Amplifiers For Technicians books and manuals for download are incredibly convenient. With just a computer or smartphone and an internet connection, you can access a vast library of resources on any subject imaginable. Whether you're a student looking for textbooks, a professional seeking industry-specific manuals, or someone interested in self-improvement, these digital resources provide an efficient and accessible means of acquiring knowledge. Moreover, PDF books and manuals offer a range of benefits compared to other digital formats. PDF files are designed to retain their formatting regardless of the device used to open them. This ensures that the content appears exactly as intended by the author, with no loss of formatting or missing graphics. Additionally, PDF files can be easily annotated, bookmarked, and searched for specific terms, making them highly practical for studying or referencing. When it comes to accessing Operational Amplifiers For Technicians books and manuals, several platforms offer an extensive collection of resources. One such platform is Project Gutenberg, a nonprofit organization that provides over 60,000 free eBooks. These books are primarily in the public domain, meaning they can be freely distributed and downloaded. Project Gutenberg offers a wide range of classic literature, making it an excellent resource for literature enthusiasts. Another popular platform for Operational Amplifiers For Technicians books and manuals is Open Library. Open Library is an initiative of the Internet Archive, a non-profit organization dedicated to digitizing cultural artifacts and making them accessible to the public. Open Library hosts millions of books, including both public domain works and contemporary titles. It also allows users to borrow digital copies of certain books for a limited period, similar to a library lending system. Additionally, many universities and educational institutions have their own digital libraries that provide free access to PDF books and manuals. These libraries often offer academic texts, research papers, and technical manuals,

making them invaluable resources for students and researchers. Some notable examples include MIT OpenCourseWare, which offers free access to course materials from the Massachusetts Institute of Technology, and the Digital Public Library of America, which provides a vast collection of digitized books and historical documents. In conclusion, Operational Amplifiers For Technicians books and manuals for download have transformed the way we access information. They provide a cost-effective and convenient means of acquiring knowledge, offering the ability to access a vast library of resources at our fingertips. With platforms like Project Gutenberg, Open Library, and various digital libraries offered by educational institutions, we have access to an ever-expanding collection of books and manuals. Whether for educational, professional, or personal purposes, these digital resources serve as valuable tools for continuous learning and self-improvement. So why not take advantage of the vast world of Operational Amplifiers For Technicians books and manuals for download and embark on your journey of knowledge?

### **FAQs About Operational Amplifiers For Technicians Books**

How do I know which eBook platform is the best for me? Finding the best eBook platform depends on your reading preferences and device compatibility. Research different platforms, read user reviews, and explore their features before making a choice. Are free eBooks of good quality? Yes, many reputable platforms offer high-quality free eBooks, including classics and public domain works. However, make sure to verify the source to ensure the eBook credibility. Can I read eBooks without an eReader? Absolutely! Most eBook platforms offer webbased readers or mobile apps that allow you to read eBooks on your computer, tablet, or smartphone. How do I avoid digital eye strain while reading eBooks? To prevent digital eye strain, take regular breaks, adjust the font size and background color, and ensure proper lighting while reading eBooks. What the advantage of interactive eBooks? Interactive eBooks incorporate multimedia elements, quizzes, and activities, enhancing the reader engagement and providing a more immersive learning experience. Operational Amplifiers For Technicians is one of the best book in our library for free trial. We provide copy of Operational Amplifiers For Technicians in digital format, so the resources that you find are reliable. There are also many Ebooks of related with Operational Amplifiers For Technicians. Where to download Operational Amplifiers For Technicians online for free? Are you looking for Operational Amplifiers For Technicians PDF? This is definitely going to save you time and cash in something you should think about. If you trying to find then search around for online. Without a doubt there are numerous these available and many of them have the freedom. However without doubt you receive whatever you purchase. An alternate way to get ideas is always to check another Operational Amplifiers For Technicians. This method for see exactly what may be included and adopt these ideas to your book. This site will almost certainly help you save time and effort, money and stress. If you are looking for free books

then you really should consider finding to assist you try this. Several of Operational Amplifiers For Technicians are for sale to free while some are payable. If you arent sure if the books you would like to download works with for usage along with your computer, it is possible to download free trials. The free guides make it easy for someone to free access online library for download books to your device. You can get free download on free trial for lots of books categories. Our library is the biggest of these that have literally hundreds of thousands of different products categories represented. You will also see that there are specific sites catered to different product types or categories, brands or niches related with Operational Amplifiers For Technicians. So depending on what exactly you are searching, you will be able to choose e books to suit your own need. Need to access completely for Campbell Biology Seventh Edition book? Access Ebook without any digging. And by having access to our ebook online or by storing it on your computer, you have convenient answers with Operational Amplifiers For Technicians To get started finding Operational Amplifiers For Technicians, you are right to find our website which has a comprehensive collection of books online. Our library is the biggest of these that have literally hundreds of thousands of different products represented. You will also see that there are specific sites catered to different categories or niches related with Operational Amplifiers For Technicians So depending on what exactly you are searching, you will be able to choose ebook to suit your own need. Thank you for reading Operational Amplifiers For Technicians. Maybe you have knowledge that, people have search numerous times for their favorite readings like this Operational Amplifiers For Technicians, but end up in harmful downloads. Rather than reading a good book with a cup of coffee in the afternoon, instead they juggled with some harmful bugs inside their laptop. Operational Amplifiers For Technicians is available in our book collection an online access to it is set as public so you can download it instantly. Our digital library spans in multiple locations, allowing you to get the most less latency time to download any of our books like this one. Merely said, Operational Amplifiers For Technicians is universally compatible with any devices to read.

### **Find Operational Amplifiers For Technicians :**

[free way to start AI side hustle in the United States BATCH86-730](#)

**without experience how to make money with AI tools organically BATCH86-1509**

**easy method to use AI for local SEO for small business owners BATCH86-568**

[without experience how to create AI chatbot for business organically BATCH86-1919](#)

**low budget way to create AI powered SaaS for small business owners BATCH86-2485**

**free way to use AI for TikTok growth without paid ads BATCH86-2384**

**how to write blog posts using AI in the United States BATCH86-1682**

[free way to automate customer service with AI that actually works BATCH86-2133](#)

*low budget way to write blog posts using AI that actually works BATCH86-810*

**best way to use AI for Instagram marketing that actually works BATCH86-411**

*proven strategy to create AI powered SaaS organically BATCH86-1654*

low budget way to build AI automation agency in 2026 BATCH86-1469

~~best way to offer AI services to clients that actually works BATCH86-409~~

~~without experience how to build website using AI in the United States BATCH86-1280~~

complete beginner guide to create digital products with AI that actually works BATCH86-556

### **Operational Amplifiers For Technicians :**

Basic Engineering Circuit Analysis by Irwin, J. David Now in a new Eighth Edition, this highly-accessible book has been fine-tuned and revised, making it more effective and even easier to use. It covers such topics ... Basic Engineering Circuit Analysis, 8th Edition - Irwin, Nelms Welcome to the Web site for Basic Engineering Circuit Analysis, Eighth Edition by J. David Irwin and R. Mark Nelms. This Web site gives you access to the ... Basic Engineering Circuit Analysis (8th Edition) Basic Engineering Circuit Analysis (8th Edition) - By J. David Irwin & R. Mark Nelms. 4.0 4.0 out of 5 stars 1 Reviews. Basic Engineering Circuit Analysis ... Basic Engineering Circuit Analysis - Irwin, J. David Now in a new Eighth Edition, this highly-accessible book has been fine-tuned and revised, making it more effective and even easier to use. It covers such ... Basic Engineering Circuit Analysis ... David Irwin. Auburn University. R. Mark Nelms. Auburn University. Page 6. Vice ... J. The voltage across a 200-mH inductor is given by the expression  $v(t) = (1 \dots$  Basic Engineering Circuit Analysis 8th Ed Solutions | PDF Basic Engineering Circuit Analysis 8th Ed. by J. David Irwin. Basic Engineering Circuit Analysis | Rent | 9780470083093 Basic Engineering Circuit Analysis 8th edition ; ISBN-13: 9780470083093 ; Authors: J David Irwin, Robert M Nelms ; Full Title: Basic Engineering Circuit Analysis. Books by David Irwin Mark Nelms Basic Engineering Circuit Analysis(8th Edition) by J. David Irwin, R. Mark Nelms, Robert M. Nelms Hardcover, 816 Pages, Published 2004 by Wiley ISBN-13: 978 ... Basic Engineering Circuit Analysis 8th Ed Solutions Basic Engineering Circuit Analysis 8th Ed. by J. David Irwin Full description ... David Irwin Full description. Views 4,076 Downloads 1,080 File size 85MB. Report ... Basic Engineering Circuit Analysis 8th Edition, J. David Irwin Textbook solutions for Basic Engineering Circuit Analysis 8th Edition J. David Irwin and others in this series. View step-by-step homework solutions for ... Engineering Mechanics Dynamics (7th Edition) ... Dynamics. Seventh Edition. J. L. Meriam. L. G. Kraige. Virginia Polytechnic Institute and State University ... This book is printed on acid-free paper. Founded in ... Engineering-mechanics-dynamics-7th-edition-solutions ... Download Meriam Kraige Engineering Mechanics Dynamics 7th Edition Solution Manual PDF file for free, Get many PDF Ebooks from our online library related ... Engineering Mechanics Dynamics 7th Edition Solution ... Fill Engineering Mechanics Dynamics 7th Edition Solution Manual

Pdf, Edit online. Sign, fax and printable from PC, iPad, tablet or mobile with pdfFiller ... Engineering mechanics statics - j. l. meriam (7th edition) ... Engineering mechanics statics - j. l. meriam (7th edition) solution manual ... free-body diagrams-the most important skill needed to solve mechanics problems. Engineering Mechanics Statics 7th Edition Meriam ... Engineering Mechanics Statics 7th Edition Meriam Solutions Manual - Free download as PDF File (.pdf), Text File (.txt) or read online for free. Instructors Solution Manual, Static- Meriam and L. G. Kraige Read and Download PDF Ebook engineering mechanics statics 7th edition solution manual meriam kraige at Online Ebook Libr. 2,307 79 40KB Read more ... Meriam J.L., Kraige L.G. Engineering Mechanics Statics. ... ENGINEERING MECHANICS STATICS 7TH EDITION SOLUTION MANUAL MERIAM KRAIGE PDF · Engineering Mechanics Statics Solution Manual Meriam Kraige PDF · Meriam Instructors ... Dynamics Meriam Kraige 7th Edition? Sep 9, 2018 — Where can I download the solutions manual of Engineering Mechanics: Dynamics Meriam Kraige 7th Edition? ... Dynamics (14th ed) PDF + Instructors ... Engineering Mechanics - Dynamics, 7th Ed (J. L. Meriam ... I have the comprehensive instructor's solution manuals in an electronic format for the following textbooks. They include full solutions to all the problems ... Engineering Mechanics Dynamics (7th Edition) Sign in. It's Just My Nature! by Carol Tuttle It focuses more on understanding who you actually are (when you were born, in your real nature) vs. looking at who you have become based on the behaviours that ... It's Just My Nature - Carol Tuttle This book very clearly shows how all personalities are rooted in four areas, compared to fire, water, earth, and air... All people have all personalities but it ... It's Just My Nature! A Guide To Knowing and Living ... Carol Tuttle is a teacher, speaker, gifted healer, and best-selling author of 7 books. As a pioneer in the field of personal development, she has dedicated her ... It's Just My Nature! Best-selling author Carol Tuttle provides compelling and life changing ... While Carol offers a variety of assessment tools-including her Dressing Your Truth ... It's Just My Nature!: A Guide to Knowing and Living Your ... Best-selling author Carol Tuttle provides compelling and life changing answers to these simple questions in her newest book It's Just My Nature! It's Just My ... It's Just My Nature! A Guide to Knowing... book by Carol Tuttle I have come to understand through Carol Tuttle's book "It's Just My Nature" that we all have strengths (and weaknesses too, of course). As a Type 2, my nature ... It's Just My Nature! - Dressing Your Truth Store - Carol Tuttle The full overview of Energy Profiling. Teaches a comprehensive study of the 4 Energy Types and how they express in the nature kingdom and human nature. It's Just My Nature (Paperback) Oct 8, 2012 — It's Just My Nature Reveals a startlingly accurate method for assessing your personality and behavioral tendencies with a new system called ... It's Just My Nature (Paperback) Oct 8, 2012 — It's Just My Nature Reveals a startlingly accurate method for assessing your personality and behavioral tendencies with a new system called ... It's Just My Nature (Paperback) Oct 8, 2012 — While Carol offers a variety of assessment tools including her Dressing Your Truth events she leaves the realization of your true Type to you.