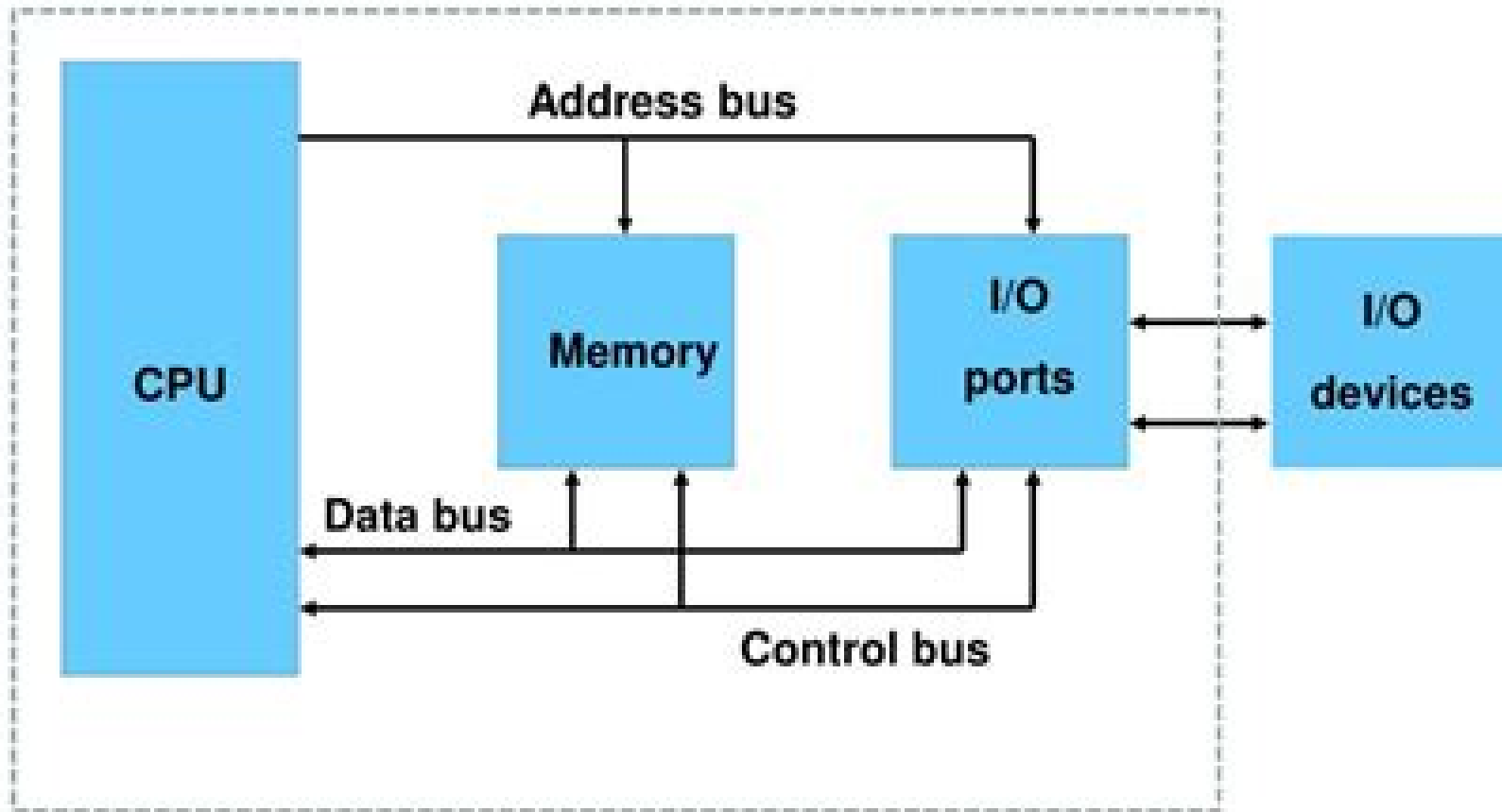


# Microcomputer Structure



# Microcomputer Systems

**Brendan G. Carr**



## **Microcomputer Systems:**

This Engaging World of Kindle Books: A Detailed Guide Revealing the Pros of Kindle Books: A Realm of Convenience and Versatility Kindle books, with their inherent portability and simplicity of access, have liberated readers from the limitations of physical books. Done are the days of lugging bulky novels or meticulously searching for particular titles in shops. Kindle devices, sleek and lightweight, seamlessly store an wide library of books, allowing readers to indulge in their preferred reads anytime, everywhere. Whether commuting on a busy train, relaxing on a sun-kissed beach, or simply cozying up in bed, Kindle books provide an unparalleled level of convenience. A Literary World Unfolded: Discovering the Wide Array of Kindle Microcomputer Systems Microcomputer Systems The Kindle Store, a virtual treasure trove of bookish gems, boasts an wide collection of books spanning diverse genres, catering to every readers taste and preference. From captivating fiction and mind-stimulating non-fiction to timeless classics and contemporary bestsellers, the Kindle Shop offers an exceptional abundance of titles to explore. Whether looking for escape through engrossing tales of fantasy and exploration, delving into the depths of past narratives, or expanding ones knowledge with insightful works of scientific and philosophical, the Kindle Shop provides a doorway to a literary world brimming with endless possibilities. A Revolutionary Force in the Bookish Scene: The Persistent Impact of Kindle Books Microcomputer Systems The advent of Kindle books has undoubtedly reshaped the literary scene, introducing a paradigm shift in the way books are published, disseminated, and read. Traditional publication houses have embraced the online revolution, adapting their strategies to accommodate the growing demand for e-books. This has led to a rise in the accessibility of Kindle titles, ensuring that readers have entry to a wide array of bookish works at their fingers. Moreover, Kindle books have democratized entry to books, breaking down geographical barriers and providing readers worldwide with similar opportunities to engage with the written word. Regardless of their place or socioeconomic background, individuals can now engross themselves in the intriguing world of books, fostering a global community of readers. Conclusion: Embracing the E-book Experience Microcomputer Systems Kindle books Microcomputer Systems, with their inherent ease, versatility, and vast array of titles, have unquestionably transformed the way we encounter literature. They offer readers the freedom to discover the boundless realm of written expression, anytime, anywhere. As we continue to navigate the ever-evolving online landscape, Kindle books stand as testament to the lasting power of storytelling, ensuring that the joy of reading remains reachable to all.

[https://www.staging.gilderlehrman.org/public/virtual-library/Download\\_PDFS/Easy\\_Method\\_To\\_Use\\_AI\\_For\\_Lead\\_Generation\\_In\\_The\\_United\\_States\\_BATCH20\\_2194.pdf](https://www.staging.gilderlehrman.org/public/virtual-library/Download_PDFS/Easy_Method_To_Use_AI_For_Lead_Generation_In_The_United_States_BATCH20_2194.pdf)

## **Table of Contents Microcomputer Systems**

1. Understanding the eBook Microcomputer Systems
  - The Rise of Digital Reading Microcomputer Systems
  - Advantages of eBooks Over Traditional Books
2. Identifying Microcomputer Systems
  - Exploring Different Genres
  - Considering Fiction vs. Non-Fiction
  - Determining Your Reading Goals
3. Choosing the Right eBook Platform
  - Popular eBook Platforms
  - Features to Look for in an Microcomputer Systems
  - User-Friendly Interface
4. Exploring eBook Recommendations from Microcomputer Systems
  - Personalized Recommendations
  - Microcomputer Systems User Reviews and Ratings
  - Microcomputer Systems and Bestseller Lists
5. Accessing Microcomputer Systems Free and Paid eBooks
  - Microcomputer Systems Public Domain eBooks
  - Microcomputer Systems eBook Subscription Services
  - Microcomputer Systems Budget-Friendly Options
6. Navigating Microcomputer Systems eBook Formats
  - ePub, PDF, MOBI, and More
  - Microcomputer Systems Compatibility with Devices
  - Microcomputer Systems Enhanced eBook Features
7. Enhancing Your Reading Experience
  - Adjustable Fonts and Text Sizes of Microcomputer Systems
  - Highlighting and Note-Taking Microcomputer Systems
  - Interactive Elements Microcomputer Systems
8. Staying Engaged with Microcomputer Systems

- Joining Online Reading Communities
  - Participating in Virtual Book Clubs
  - Following Authors and Publishers Microcomputer Systems
9. Balancing eBooks and Physical Books Microcomputer Systems
    - Benefits of a Digital Library
    - Creating a Diverse Reading Collection Microcomputer Systems
  10. Overcoming Reading Challenges
    - Dealing with Digital Eye Strain
    - Minimizing Distractions
    - Managing Screen Time
  11. Cultivating a Reading Routine Microcomputer Systems
    - Setting Reading Goals Microcomputer Systems
    - Carving Out Dedicated Reading Time
  12. Sourcing Reliable Information of Microcomputer Systems
    - Fact-Checking eBook Content of Microcomputer Systems
    - Distinguishing Credible Sources
  13. Promoting Lifelong Learning
    - Utilizing eBooks for Skill Development
    - Exploring Educational eBooks
  14. Embracing eBook Trends
    - Integration of Multimedia Elements
    - Interactive and Gamified eBooks

### **Microcomputer Systems Introduction**

Microcomputer Systems Offers over 60,000 free eBooks, including many classics that are in the public domain. Open Library: Provides access to over 1 million free eBooks, including classic literature and contemporary works. Microcomputer Systems Offers a vast collection of books, some of which are available for free as PDF downloads, particularly older books in the public domain. Microcomputer Systems : This website hosts a vast collection of scientific articles, books, and textbooks. While it operates in a legal gray area due to copyright issues, its a popular resource for finding various publications. Internet Archive for Microcomputer Systems : Has an extensive collection of digital content, including books, articles, videos, and

more. It has a massive library of free downloadable books. Free-eBooks Microcomputer Systems Offers a diverse range of free eBooks across various genres. Microcomputer Systems Focuses mainly on educational books, textbooks, and business books. It offers free PDF downloads for educational purposes. Microcomputer Systems Provides a large selection of free eBooks in different genres, which are available for download in various formats, including PDF. Finding specific Microcomputer Systems, especially related to Microcomputer Systems, might be challenging as they're often artistic creations rather than practical blueprints. However, you can explore the following steps to search for or create your own Online Searches: Look for websites, forums, or blogs dedicated to Microcomputer Systems, Sometimes enthusiasts share their designs or concepts in PDF format. Books and Magazines Some Microcomputer Systems books or magazines might include. Look for these in online stores or libraries. Remember that while Microcomputer Systems, sharing copyrighted material without permission is not legal. Always ensure you're either creating your own or obtaining them from legitimate sources that allow sharing and downloading. Library Check if your local library offers eBook lending services. Many libraries have digital catalogs where you can borrow Microcomputer Systems eBooks for free, including popular titles. Online Retailers: Websites like Amazon, Google Books, or Apple Books often sell eBooks. Sometimes, authors or publishers offer promotions or free periods for certain books. Authors Website Occasionally, authors provide excerpts or short stories for free on their websites. While this might not be the Microcomputer Systems full book, it can give you a taste of the author's writing style. Subscription Services Platforms like Kindle Unlimited or Scribd offer subscription-based access to a wide range of Microcomputer Systems eBooks, including some popular titles.

### **FAQs About Microcomputer Systems Books**

How do I know which eBook platform is the best for me? Finding the best eBook platform depends on your reading preferences and device compatibility. Research different platforms, read user reviews, and explore their features before making a choice. Are free eBooks of good quality? Yes, many reputable platforms offer high-quality free eBooks, including classics and public domain works. However, make sure to verify the source to ensure the eBook's credibility. Can I read eBooks without an eReader? Absolutely! Most eBook platforms offer web-based readers or mobile apps that allow you to read eBooks on your computer, tablet, or smartphone. How do I avoid digital eye strain while reading eBooks? To prevent digital eye strain, take regular breaks, adjust the font size and background color, and ensure proper lighting while reading eBooks. What the advantage of interactive eBooks? Interactive eBooks incorporate multimedia elements, quizzes, and activities, enhancing the reader engagement and providing a more immersive learning experience. Microcomputer Systems is one of the best books in our library for free trial. We provide copy of Microcomputer Systems in digital format, so the resources that

you find are reliable. There are also many Ebooks of related with Microcomputer Systems. Where to download Microcomputer Systems online for free? Are you looking for Microcomputer Systems PDF? This is definitely going to save you time and cash in something you should think about.

### **Find Microcomputer Systems :**

**easy method to use AI for lead generation in the United States BATCH20-2194**

**how to sell AI generated art without paid ads BATCH20-1065**

best way to automate business with AI for content creators BATCH20-1356

low budget way to build AI automation agency in the United States BATCH20-1859

without experience how to write blog posts using AI for small business owners BATCH20-2056

*how to create faceless YouTube channel with AI for beginners BATCH20-536*

**proven strategy to create marketing funnel with AI for beginners BATCH20-952**

*affordable way to start AI side hustle in the United States BATCH20-1335*

**affordable way to use AI for YouTube automation without paid ads BATCH20-1957**

*without experience how to grow email list using AI without paid ads BATCH20-2069*

low budget way to generate leads using AI for small business owners BATCH20-186

**free way to create AI chatbot for business for beginners BATCH20-8**

**affordable way to make money with AI tools for small business owners BATCH20-1731**

**how to rank website using AI SEO tools without paid ads BATCH20-1560**

affordable way to start AI side hustle with free tools BATCH20-2160

### **Microcomputer Systems :**

**fodor s the amalfi coast capri naples full color travel guide** - May 12 2023

web jun 17 2014 fodor s the amalfi coast capri naples full color travel guide paperback june 17 2014 by fodor s travel guides  
author 4 1 out of 5 stars 38 ratings

fodor s the amalfi coast capri naples full color travel - Nov 06 2022

web oct 13 2023 product information written by locals fodor s travel guides have been offering expert advice for all tastes and budgets for more than 80 years abundant color photos combined with thorough coverage bring one of italy s most beautiful destinations to dazzling life the bay of naples and neighboring amalfi coast epitomize southern italy

**fodor s the amalfi coast capri naples google books** - Aug 03 2022

web feb 14 2017 the bay of naples and neighboring amalfi coast epitomize southern italy at its best in one concentrated area travelers find spectacular natural beauty world class art rich history and

**fodor s the amalfi coast capri naples barnes noble** - Feb 09 2023

web nov 1 2022 fodor s amalfi coast capri naples guidebook is packed with maps carefully curated recommendations and everything else you need to simplify your trip planning process and make the most of your time this brand new edition has an easy to read layout fresh information and beautiful color photos

**fodor s the amalfi coast capri naples full color travel guide** - Oct 05 2022

web fodor s the amalfi coast capri naples full color travel guide fodor s travel guides amazon co uk books

**fodor s the amalfi coast capri naples full color travel** - Jan 28 2022

web sep 9 2022 fodor s the amalfi coast capri naples full color travel guide fodor s travel guides skevington s daughter oliver reynolds deadly sins by leigh lora paperback lora

*fodor s the amalfi coast capri and naples full color gold* - Feb 26 2022

web feb 14 2017 this travel guide includes dozens of full color maps hundreds of hotel and restaurant recommendations with fodor s choice designating our top picks in depth breakout features on exploring capri by boat naples main thoroughfare spaccanapoli and the neapolitan baroque major sights such as pompeii positano and the temples

*fodor s the amalfi coast capri naples worldcat org* - Sep 04 2022

web get this from a library fodor s the amalfi coast capri naples martin bennett fergal kavanagh fiorella squillante róisín cameron magnin danny fodor s travel firm abundant color photos combined with thorough coverage bring one of italy s most beautiful destinations to life

**fodor s the amalfi coast capri naples full color travel guide** - Jun 13 2023

web feb 14 2017 this travel guide includes dozens of full color maps hundreds of hotel and restaurant recommendations with fodor s choice designating our top picks in depth breakout features on exploring capri by boat naples main thoroughfare spaccanapoli and the neapolitan baroque major sights such as pompeii positano and the temples

**amalfi travel guide expert picks for your vacation** - Mar 30 2022

web get information on amalfi travel guide expert picks for your vacation hotels restaurants entertainment shopping sightseeing and activities read the fodor s reviews or post your own

**fodor s the amalfi coast capri naples overdrive** - Dec 07 2022

web dozens of full color maps hundreds of hotel and restaurant recommendations with fodor s choice designating our top picks major sights such as pompeii positano and the temples of paestum coverage of the amalfi coast capri ischia and procida

sorrento and the sorrentine peninsula the bay of naples and naples

[fodor s the amalfi coast capri naples full color travel guide](#) - Jul 14 2023

web sep 10 2019 fodor s fodor s the amalfi coast capri naples includes an ultimate experience guide that visually captures the top highlights of amalfi coast capri naples spectacular color photos and features throughout including special features on pompeii the amalfi coast highway sailing in capri and

*fodor s the amalfi coast capri naples full color travel guide* - Jun 01 2022

web fodor s the amalfi coast capri naples full color travel guide ebook travel guides fodor s amazon com au kindle store

**fodor s the amalfi coast capri naples full color travel guide** - Mar 10 2023

web fodor s the amalfi coast capri naples full color travel guide fodor s travel guides on amazon com free shipping on qualifying offers fodor s the amalfi coast capri naples full color travel guide fodor s the amalfi coast capri naples full color travel guide fodor s travel guides 9781640974210 amazon com books

**fodor s the amalfi coast capri naples overdrive** - Jan 08 2023

web sep 10 2019 fodor s fodor s the amalfi coast capri naples includes an ultimate experience guide that visually captures the top highlights of amalfi coast capri naples spectacular color photos and features throughout including special features on pompeii the amalfi coast highway sailing in capri and

**fodor s the amalfi coast capri naples full color travel guide** - Aug 15 2023

web nov 1 2022 fodor s the amalfi coast capri naples full color travel guide paperback november 1 2022 by fodor s travel guides author 4 7 4 7 out of 5 stars 43 ratings

**pdf epub fodor s the amalfi coast capri and naples full color** - Sep 16 2023

web apr 17 2020 download fodor s the amalfi coast capri and naples full color travel guide by fodor s travel publications inc in pdf epub format complete free brief summary of book fodor s the amalfi coast capri and naples full color travel guide by fodor s travel publications inc

**fodor s the amalfi coast capri naples full color fodor s** - Apr 30 2022

web we pay for fodor s the amalfi coast capri naples full color and numerous books collections from fictions to scientific research in any way in the course of them is this fodor s the amalfi coast capri naples full color that can be your partner lonely planet naples pompeii the amalfi coast lonely planet 2019 01 01

[fodor s the amalfi coast capri naples full color travel guide](#) - Jul 02 2022

web since then fodor s the amalfi coast capri naples full color travel guide textbook received total rating of 4 5 stars and was available to sell back to booksrun online for the top buyback price of 6 08 or rent at the marketplace

*fodor s the amalfi coast capri naples 5th edition full color* - Apr 11 2023

web jan 5 2010 fodor s amalfi coast capri naples plan your perfect trip full color guide make your trip to southern italy unforgettable with 14 maps illustrated features and almost 200 color photos

*gastroenterology and hepatology university of oxford medical* - Jan 21 2022

web today gastroenterology brings together scientists working in basic and clinical research with the objective of translating mechanistic insight into novel diagnostics and treatments

h oxford handbook of gastroenterology and hepatology - Feb 02 2023

web bloom stuart george webster and daniel marks h oxford handbook of gastroenterology and hepatology 2 edn oxford medical handbooks oxford 2011

oxford handbook of gastroenterology and hepatology - Jul 27 2022

web summary fully revised and updated for the new edition the oxford handbook of gastroenterology and hepatology comprises a unique a z compendium of the

**oxford handbook of gastroenterology hepatology 3e** - Nov 30 2022

web this fully revised and updated third edition of the oxford handbook of gastroenterology and hepatology provides up to date pragmatic advice on the management of common conditions and emergencies an essential resource for all those involved in the care of patients with gastroenterological and hepatological disease both for specialists and

**oxford handbook of gastroenterology and hepatology 2 e** - Oct 30 2022

web in stock fully revised and updated for the new edition the oxford handbook of gastroenterology and hepatology comprises a unique a z compendium of the

*oxford handbook of gastroenterology and hepatology* - Jun 25 2022

web gastroenterology and hepatology is the essential quick reference guide for gastroenterologists the first section covers approaches to clinical problems detailing

**oxford handbook of gastroenterology hepatology 3e** - Jun 06 2023

web sep 1 2021 this fully revised and updated third edition of the oxford handbook of gastroenterology and hepatology provides up to date pragmatic advice on the

*oxford handbook of gastroenterology and hepatology* - May 05 2023

web an essential resource for all those involved in the care of patients with gastroenterological and hepatological disease both for specialists and trainees in gastroenterology and

oxford handbook of gastroenterology and hepatology book 2012 - May 25 2022

web get this from a library oxford handbook of gastroenterology and hepatology stuart bloom physician george d webster daniel marks fully revised and updated for

**oxford handbook of gastroenterology hepatology 3e** - Nov 18 2021

web this fully revised and updated third edition of the oxford handbook of gastroenterology and hepatology provides up to date pragmatic advice on the management of common

**oxford handbook of gastroenterology and hepatology** - Oct 10 2023

web this resource provides up to date practical advice on the management of common conditions for trainees and specialists in gastroenterology and hepatology it covers

**oxford handbook of gastroenterology hepatology the** - Apr 23 2022

web jul 20 2022 oxford handbook of gastroenterology hepatology the essential guide for the care of patients with gastroenterological and hepatological disease oxford

**drugs used in gastroenterology and hepatology oxford** - Mar 23 2022

web this facilitates a rapid review of how to use specific medicines for gastroenterological and hepatological conditions and their common important contraindications and side effects

**o oxford handbook of gastroenterology and hepatology** - Jan 01 2023

web oxford handbook of gastroenterology and hepatology 2 edn oxford medical handbooks oxford 2011 online edn oxford academic 1 may 2012

*oxford handbook of gastroenterology and hepatology* - Feb 19 2022

web may 1 2012 oxford handbook of gastroenterology and hepatology authors stuart bloom george webster daniel marks university college london download citation

oxford handbook of gastroenterology and hepatology - Apr 04 2023

web feb 20 2012 fully revised and updated for the new edition the oxford handbook of gastroenterology and hepatology comprises a unique a z compendium of the

*oxford handbook of gastroenterology hepatology* - Aug 28 2022

web sep 11 2022 this fully revised and updated third edition of the oxford handbook of gastroenterology and hepatology provides up to date pragmatic advice on the

**oxford handbook of gastroenterology and hepatology** - Jul 07 2023

web fully revised and updated for the new edition the oxford handbook of gastroenterology and hepatology comprises a unique a z compendium of the specialty and a dedicated

**oxford handbook of gastroenterology and hepatology and** - Mar 03 2023

web oct 1 2013 89 99 paperback published 01 october 2013 1 080 pages 7 1 x 3 9 inches isbn 9780199686360 bookseller code 05 connect with oup oxford handbook of

**ovid oxford handbook of gastroenterology hepatology** - Sep 09 2023

web oxford handbook of gastroenterology hepatology publication year 2022 edition 3rd author bloom stuart webster george marks daniel publisher oxford university

**oxford handbook of gastroenterology hepatology oxford** - Aug 08 2023

web oct 20 2022 oxford handbook of gastroenterology hepatology oxford medical handbooks bloom stuart webster george marks daniel 9780198734956

oxford specialist handbook of paediatric gastroenterology - Dec 20 2021

web dec 18 2018 the oxford handbook of paediatric gastroenterology hepatology and nutrition has been fully updated with new chapters on transplantation nutritional

**s oxford handbook of gastroenterology and hepatology** - Sep 28 2022

web oxford handbook of gastroenterology and hepatology 2 edn oxford medical handbooks oxford 2011 online edn oxford academic 1 may 2012

*lean the ultimate guide to lean six sigma lean enterp* - Aug 15 2023

web lean six sigma is an amazing methodology that s geared to helping you boost the productivity of your organization while eliminating waste the idea synthesizes two different concepts lean enterprise or lean manufacturing and six sigma to give you an excellent idea of how your company is wasting money and resources and what you can

lean the ultimate guide to lean startup lean six sigma lean - Nov 06 2022

web aug 19 2019 business personal finance 2019

**six sigma a complete step by step guide** - Aug 03 2022

web maintain solutions thats why six sigma also provides for control methods once teams implement changes they can control processes for a fraction of the cost of traditional quality methods by continuing the use of six sigma tools and statistics ç six sigma as a methodology for process improvement involves a vast library of tools and

**lean the ultimate guide to lean six sigma lean enterprise and lean** - Jul 14 2023

web lean six sigma the ultimate guide to lean six sigma lean enterprise and lean manufacturing with tools included for increased efficiency and higher customer satisfaction

lean six sigma the ultimate guide to lean six sigma lean - Mar 10 2023

web buy lean six sigma the ultimate guide to lean six sigma lean enterprise and lean manufacturing with tools included for increased efficiency and higher customer satisfaction by edge james isbn 9781727480931 from amazon s book store everyday low prices and free delivery on eligible orders

**lean six sigma the ultimate guide to lean six sigma lean** - Jun 01 2022

web aug 26 2019 in lean six sigma the ultimate guide to lean six sigma lean enterprise and lean manufacturing with tools included for increased efficiency and higher customer satisfaction the following topics will be discussed understanding lean thinking the basics of six sigma what is lean six sigma phases of lean six sigma

**lean the ultimate guide to lean startup lean six sigma lean** - Oct 05 2022

web lean is a business practice that will eliminate waste in your company while improving the processes that you are currently using so if increasing productivity and profits is something you re interested in don t hesitate to download this book now in this book you will learn about lean startups lean six sigma lean analytics

*lean six sigma lean six sigma a definitive guide juran* - Feb 09 2023

web apr 25 2019 lean six sigma is quite simply the integration of lean and six sigma methodologies to reduce waste defects variation and increase effectiveness and results lean focuses on efficiency and six sigma focuses on

**lean six sigma the ultimate guide to lean six sigma lean** - May 12 2023

web lean six sigma the ultimate guide to lean six sigma lean enterprise and lean manufacturing with tools included for increased efficiency and higher customer satisfaction by james edge ebook scribd enjoy millions of ebooks audiobooks magazines and more with a free trial only 11 99 month after trial

*lean six sigma the definitive guide 2020 ssgi* - Jul 02 2022

web this is a complete guide to lean six sigma in 2020 in this new guide you ll learn what is lean six sigma six sigma methodology difference between lean and six sigma most popular lean six sigma tools and techniques six sigma certification belts lots more let s get started

**5 lean six sigma principles you should adopt immediately** - Sep 04 2022

web 5 lean six sigma principles to boost efficiency focus on the customer map out the value stream remove waste non value added steps communicate with your team create a culture of change and flexibility every project manager shares the same basic goal they want to streamline workflow and eliminate unnecessary or repetitive tasks in order

**lean vs six sigma understanding the differences and capterra** - Dec 27 2021

web jul 21 2023 lean and six sigma can help your business tackle challenges and achieve objectives choosing the right strategy to optimize business processes can be daunting the lean and six sigma methodologies both aimed at boosting efficiency and reducing waste are popular choices

**six sigma a resource guide lean enterprise institute** - Apr 30 2022

web sep 19 2023 organizations commonly choose between lean and six sigma for an improvement methodology however the approaches are complementary rather than substitutive six sigma is a useful methodology especially when solving difficult quality control problems that require rigorous statistical analysis

**lean the ultimate guide to lean startup lean six sigma lean** - Dec 07 2022

web lean is a business practice that will eliminate waste in your company while improving the processes that you are currently using so if increasing productivity and profits is something you re interested in don t hesitate to download this book now in this book you will learn about lean startups lean six sigma lean analytics

*guide to lean six sigma projectengineer* - Mar 30 2022

web jan 4 2022 lean six sigma overview the first half of the process six sigma is a method that measures the variation of the outputs of a process say the manufacturing of a widget it measures the deviation of the outputs from a specified quality target and uses six sigma projects to improve the process and reduce variation

**lean six sigma the ultimate guide to lean six sigma lean** - Apr 11 2023

web sep 14 2018 in lean six sigma the ultimate guide to lean six sigma lean enterprise and lean manufacturing with tools included for increased efficiency and higher customer satisfaction the following topics will be discussed understanding lean thinking the basics of six sigma

**lean six sigma wikipedia** - Jan 08 2023

web lean six sigma lean six sigma is a process improvement approach that uses a collaborative team effort to improve performance by systematically removing operational waste 1 and reducing process variation it combines lean management and six sigma to increase the velocity of value creation in business processes

lean six sigma the ultimate guide to lean six sigma lean - Jun 13 2023

web in lean six sigma the ultimate guide to lean six sigma lean enterprise and lean manufacturing with tools included for increased efficiency and higher customer satisfaction the following topics will be discussed understanding lean thinking the basics of six sigma what is lean six sigma phases of lean six sigma understanding

*what are the lean six sigma principles purdue university* - Jan 28 2022

web jun 21 2021 concepts of lean six sigma the primary aim of the lean method is to reduce waste the goal of six sigma is to reduce variation for optimal quality control the discipline known as lean six sigma lss blends these two approaches refinements to the production process are essential to managing and reducing the 8 wastes analyzed by

**what is lean six sigma your guide from leandscape** - Feb 26 2022

web sep 14 2021 lean six sigma is a process improvement methodology that uses lean manufacturing principles and six sigma quality practices lean six sigma can be used to improve any business process but it has been most successful in the areas of manufacturing service delivery and product development lean six sigma allows for