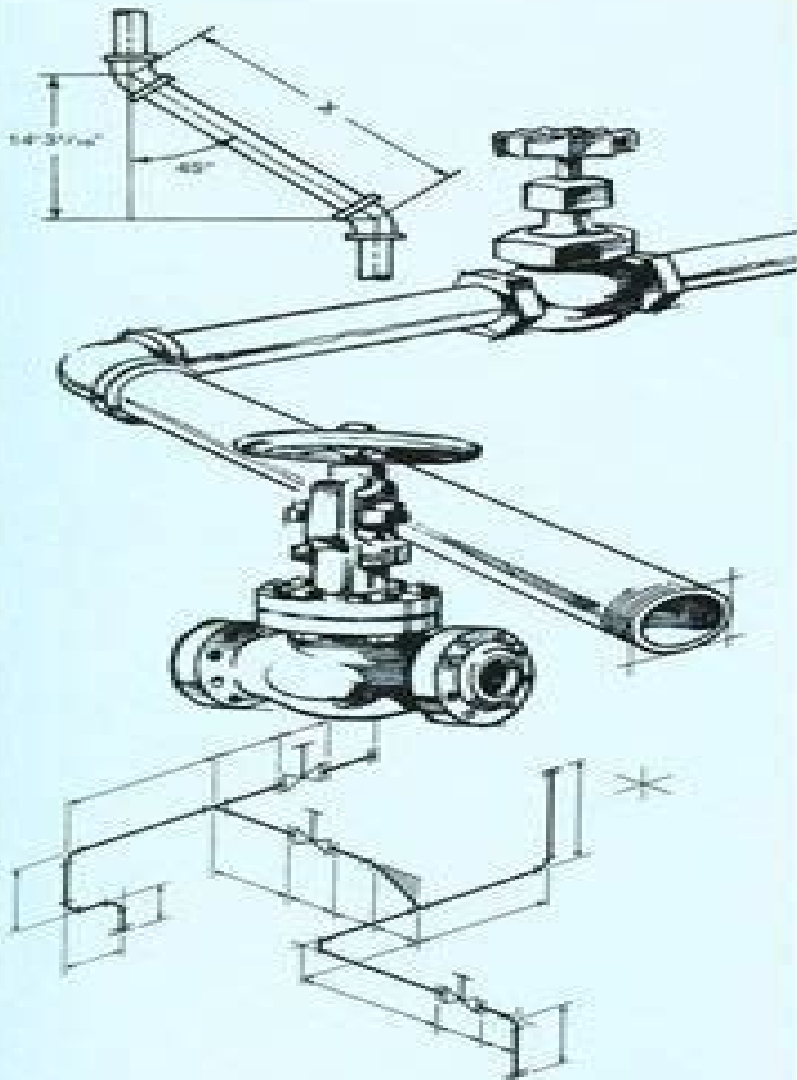


JOB TRAINING SYSTEMS, INC.

FUNDAMENTALS OF PIPE FITTING

Training Manual

COURSE NO. **190**



Pipefitter Trainee Guide

J Spring



Pipefitter Trainee Guide:

This is likewise one of the factors by obtaining the soft documents of this **Pipefitter Trainee Guide** by online. You might not require more grow old to spend to go to the books start as skillfully as search for them. In some cases, you likewise complete not discover the notice Pipefitter Trainee Guide that you are looking for. It will categorically squander the time.

However below, with you visit this web page, it will be fittingly certainly simple to acquire as capably as download lead Pipefitter Trainee Guide

It will not understand many epoch as we tell before. You can do it while play something else at home and even in your workplace. hence easy! So, are you question? Just exercise just what we have enough money below as well as evaluation **Pipefitter Trainee Guide** what you when to read!

https://www.staging.gilderlehrman.org/data/Resources/index.jsp/Lovers_Chat.pdf

Table of Contents Pipefitter Trainee Guide

1. Understanding the eBook Pipefitter Trainee Guide
 - The Rise of Digital Reading Pipefitter Trainee Guide
 - Advantages of eBooks Over Traditional Books
2. Identifying Pipefitter Trainee Guide
 - Exploring Different Genres
 - Considering Fiction vs. Non-Fiction
 - Determining Your Reading Goals
3. Choosing the Right eBook Platform
 - Popular eBook Platforms
 - Features to Look for in an Pipefitter Trainee Guide
 - User-Friendly Interface
4. Exploring eBook Recommendations from Pipefitter Trainee Guide
 - Personalized Recommendations

- Pipefitter Trainee Guide User Reviews and Ratings
- Pipefitter Trainee Guide and Bestseller Lists
- 5. Accessing Pipefitter Trainee Guide Free and Paid eBooks
 - Pipefitter Trainee Guide Public Domain eBooks
 - Pipefitter Trainee Guide eBook Subscription Services
 - Pipefitter Trainee Guide Budget-Friendly Options
- 6. Navigating Pipefitter Trainee Guide eBook Formats
 - ePub, PDF, MOBI, and More
 - Pipefitter Trainee Guide Compatibility with Devices
 - Pipefitter Trainee Guide Enhanced eBook Features
- 7. Enhancing Your Reading Experience
 - Adjustable Fonts and Text Sizes of Pipefitter Trainee Guide
 - Highlighting and Note-Taking Pipefitter Trainee Guide
 - Interactive Elements Pipefitter Trainee Guide
- 8. Staying Engaged with Pipefitter Trainee Guide
 - Joining Online Reading Communities
 - Participating in Virtual Book Clubs
 - Following Authors and Publishers Pipefitter Trainee Guide
- 9. Balancing eBooks and Physical Books Pipefitter Trainee Guide
 - Benefits of a Digital Library
 - Creating a Diverse Reading Collection Pipefitter Trainee Guide
- 10. Overcoming Reading Challenges
 - Dealing with Digital Eye Strain
 - Minimizing Distractions
 - Managing Screen Time
- 11. Cultivating a Reading Routine Pipefitter Trainee Guide
 - Setting Reading Goals Pipefitter Trainee Guide
 - Carving Out Dedicated Reading Time
- 12. Sourcing Reliable Information of Pipefitter Trainee Guide
 - Fact-Checking eBook Content of Pipefitter Trainee Guide

- Distinguishing Credible Sources
- 13. Promoting Lifelong Learning
 - Utilizing eBooks for Skill Development
 - Exploring Educational eBooks
- 14. Embracing eBook Trends
 - Integration of Multimedia Elements
 - Interactive and Gamified eBooks

Pipefitter Trainee Guide Introduction

Free PDF Books and Manuals for Download: Unlocking Knowledge at Your Fingertips In today's fast-paced digital age, obtaining valuable knowledge has become easier than ever. Thanks to the internet, a vast array of books and manuals are now available for free download in PDF format. Whether you are a student, professional, or simply an avid reader, this treasure trove of downloadable resources offers a wealth of information, conveniently accessible anytime, anywhere. The advent of online libraries and platforms dedicated to sharing knowledge has revolutionized the way we consume information. No longer confined to physical libraries or bookstores, readers can now access an extensive collection of digital books and manuals with just a few clicks. These resources, available in PDF, Microsoft Word, and PowerPoint formats, cater to a wide range of interests, including literature, technology, science, history, and much more. One notable platform where you can explore and download free Pipefitter Trainee Guide PDF books and manuals is the internet's largest free library. Hosted online, this catalog compiles a vast assortment of documents, making it a veritable goldmine of knowledge. With its easy-to-use website interface and customizable PDF generator, this platform offers a user-friendly experience, allowing individuals to effortlessly navigate and access the information they seek. The availability of free PDF books and manuals on this platform demonstrates its commitment to democratizing education and empowering individuals with the tools needed to succeed in their chosen fields. It allows anyone, regardless of their background or financial limitations, to expand their horizons and gain insights from experts in various disciplines. One of the most significant advantages of downloading PDF books and manuals lies in their portability. Unlike physical copies, digital books can be stored and carried on a single device, such as a tablet or smartphone, saving valuable space and weight. This convenience makes it possible for readers to have their entire library at their fingertips, whether they are commuting, traveling, or simply enjoying a lazy afternoon at home. Additionally, digital files are easily searchable, enabling readers to locate specific information within seconds. With a few keystrokes, users can search for keywords, topics, or phrases, making research and finding relevant information a breeze. This efficiency saves time and effort, streamlining the learning process and allowing individuals to focus on extracting the information they

need. Furthermore, the availability of free PDF books and manuals fosters a culture of continuous learning. By removing financial barriers, more people can access educational resources and pursue lifelong learning, contributing to personal growth and professional development. This democratization of knowledge promotes intellectual curiosity and empowers individuals to become lifelong learners, promoting progress and innovation in various fields. It is worth noting that while accessing free Pipefitter Trainee Guide PDF books and manuals is convenient and cost-effective, it is vital to respect copyright laws and intellectual property rights. Platforms offering free downloads often operate within legal boundaries, ensuring that the materials they provide are either in the public domain or authorized for distribution. By adhering to copyright laws, users can enjoy the benefits of free access to knowledge while supporting the authors and publishers who make these resources available. In conclusion, the availability of Pipefitter Trainee Guide free PDF books and manuals for download has revolutionized the way we access and consume knowledge. With just a few clicks, individuals can explore a vast collection of resources across different disciplines, all free of charge. This accessibility empowers individuals to become lifelong learners, contributing to personal growth, professional development, and the advancement of society as a whole. So why not unlock a world of knowledge today? Start exploring the vast sea of free PDF books and manuals waiting to be discovered right at your fingertips.

FAQs About Pipefitter Trainee Guide Books

What is a Pipefitter Trainee Guide PDF? A PDF (Portable Document Format) is a file format developed by Adobe that preserves the layout and formatting of a document, regardless of the software, hardware, or operating system used to view or print it. **How do I create a Pipefitter Trainee Guide PDF?** There are several ways to create a PDF: Use software like Adobe Acrobat, Microsoft Word, or Google Docs, which often have built-in PDF creation tools. Print to PDF: Many applications and operating systems have a "Print to PDF" option that allows you to save a document as a PDF file instead of printing it on paper. Online converters: There are various online tools that can convert different file types to PDF. **How do I edit a Pipefitter Trainee Guide PDF?** Editing a PDF can be done with software like Adobe Acrobat, which allows direct editing of text, images, and other elements within the PDF. Some free tools, like PDFescape or Smallpdf, also offer basic editing capabilities. **How do I convert a Pipefitter Trainee Guide PDF to another file format?** There are multiple ways to convert a PDF to another format: Use online converters like Smallpdf, Zamzar, or Adobe Acrobats export feature to convert PDFs to formats like Word, Excel, JPEG, etc. Software like Adobe Acrobat, Microsoft Word, or other PDF editors may have options to export or save PDFs in different formats. **How do I password-protect a Pipefitter Trainee Guide PDF?** Most PDF editing software allows you to add password protection. In Adobe Acrobat, for instance, you can go to "File" ->

"Properties" -> "Security" to set a password to restrict access or editing capabilities. Are there any free alternatives to Adobe Acrobat for working with PDFs? Yes, there are many free alternatives for working with PDFs, such as: LibreOffice: Offers PDF editing features. PDFsam: Allows splitting, merging, and editing PDFs. Foxit Reader: Provides basic PDF viewing and editing capabilities. How do I compress a PDF file? You can use online tools like Smallpdf, ILovePDF, or desktop software like Adobe Acrobat to compress PDF files without significant quality loss. Compression reduces the file size, making it easier to share and download. Can I fill out forms in a PDF file? Yes, most PDF viewers/editors like Adobe Acrobat, Preview (on Mac), or various online tools allow you to fill out forms in PDF files by selecting text fields and entering information. Are there any restrictions when working with PDFs? Some PDFs might have restrictions set by their creator, such as password protection, editing restrictions, or print restrictions. Breaking these restrictions might require specific software or tools, which may or may not be legal depending on the circumstances and local laws.

Find Pipefitter Trainee Guide :

~~lovers chat~~

~~lovers of war~~

lucky 7 a cowmans autobiography

~~lowrys city a painter his locale~~

~~luckmann and sorensens medical surgical nursing a psychophysiologic approach pocket companion~~

loyal hearts

~~lu xun selected poems~~

loves only deception harlequin presents 594

~~lucina sine concubitu a treatise humbly~~

~~loved helen other poems 1st edition uk~~

~~love valley an american utopia~~

~~loving god up close~~

~~lrl martin luther king - pk of 6~~

~~loyalty marketing the second act hardcover~~

low-voltage cmos rf frequency synthesizers

Pipefitter Trainee Guide :

ip lab viva questions pdf html element computer - Sep 22 2021

300 top linear integrated circuits lab viva questions - Jul 13 2023

web linear integrated circuits lab viva questions 1 what are the advantages of integrated circuits increased package density cost reduction increased system

linear integrated circuits lab viva questions part 2 - Oct 04 2022

web fig 1 integrator circuit practical differentiator r f 1 5 k r 1 150 c f 0 1 f c 1 0 01 f fig 2 differentiator circuit procedure integrator connect the circuit as shown in fig

process control instrumentation viva questions practice set 18 - Nov 24 2021

vlsi lab viva questions and answers pdf - Feb 08 2023

web oct 10 2011 linear ic applications viva questions quiz questions viva notes please download the attached file along with this if you have any query regarding this file

model viva questions for analog electronics ggpbilaspur - Mar 29 2022

web who to ask answers in microsoft viva can help answers use the suggested experts already connected to viva topics to help get answers to your questions matching questions will

linear ic applications viva questions quiz questions viva - Sep 03 2022

web 1 infinite voltage gain 2 infinite input resistance 3 zero o p resistance 4 zero o p voltage when i p voltage is zero 5 infinite band with 6 infinite common mode rejection ratio 7

linear integrated circuits lab viva voce pdf scribd - Dec 06 2022

web ade lab viva questions 1 what are the disadvantages of analog communication its not reliable noise effect is more on the signals power required for signal transmission also

140 viva questions how to prepare for viva leverage edu - Jan 27 2022

digital ic application viva questions notes pdf download - Aug 02 2022

web feb 7 2019 1 the constant volume process in i c engines is characteristic of the 2 compression ignition engines use liquid fuels of volatility 3

vlsi lab viva questions and answers studocu - Jan 07 2023

web oct 7 2011 results 1 to 1 of 1 thread digital ic application viva questions notes pdf download popular topic for study

level crossing and fading statistics rice computed

[microcontroller lab viva questions answers pdf](#) - Mar 09 2023

web 1 what are the requirements for producing sustained oscillations in feedback circuits for sustained oscillations the total phase shift around the loop must be zero the

ade lab viva questions pdf digital electronics logic gate - Jul 01 2022

web aug 10 2023 a viva simply means a university examination during which students answer questions in speech and these questions are commonly based on a particular project

i c engines lab viva questions answers - Feb 25 2022

web ip lab viva questions free download as word doc doc pdf file pdf text file txt or read online for free scribd is the world s largest social reading and publishing site

elcs lab external viva model questions with - Dec 26 2021

[top 45 linear integrated circuits lab viva](#) - Jun 12 2023

web digital electronics viva questions and answers 1 define gates ans gates are the digital circuits which perform a specific type of logical operation 2 define ic ans ic

waveform generator using op amp 741 ic applications and - May 31 2022

web apr 30 2015 elcs lab external viva model questions with answers for b tech 1st year admin april 30 2015 call lab viva questions plz click on

ic application lab viva answers pdf operational amplifier - Aug 14 2023

web ic application lab viva answers free download as pdf file pdf text file txt or read online for free answers to generally asked questions during lab examination of

integrator and differentiator using ic 741 op amp ic - Apr 29 2022

web practice test question set 18 1 polarization of light forms the working principle of a a polarimeter b polarograph c chromatograph d spectrometer 2 an amplitude

linear integrated circuits lab viva questions part 1 ece school - May 11 2023

web microcontroller lab viva questions answers free download as pdf file pdf text file txt or read online for free microcontroller lab viva question and

vlsi lab viva questions and answers 1 pdf - Nov 05 2022

web viva questions 1 what are the different ways of generating sinusoidal waves ans sinusoidal voltage wave forms are generated using oscillators the different types of

[ics lab viva questions with answers pdf](#) - Oct 24 2021

[digital electronics lab exam viva questions pdf logic gate](#) - Apr 10 2023

web linear integrated circuits lab viva voce questions 1 state the ideal characteristics of op amp i open loop gain aol ii input impedance ri iii output impedance ro 0 i

[the role of the merchandiser in an export house bizfluent](#) - Sep 21 2023

web oct 27 2018 an export house merchandiser oversees the wholesale and retail buying and selling in a foreign market they organize product development act as a production coordinator and research buying trends and pricing to determine value and yield they may also be in charge of transportation and exporting

role of merchandiser in apparel industry export organization - Mar 15 2023

web pdf on dec 1 2011 a kalyani published role of merchandiser in apparel industry export organization find read and cite all the research you need on researchgate

working procedure of a garment buying house textile learner - Mar 03 2022

web jul 13 2013 garments buying house garments buying house or export house works as intermediaries between the buyer and the manufacturer buying house procures garments from the manufacturers and exports to other countries garment merchandisers are key persons in buying house garments buying house is a very profitable

[66 merchandiser export house jobs and vacancies indeed](#) - Oct 10 2022

web have already experience in export buying house fashion merchandising in export buying house 2 years preferred have able to handle production department

[role of a merchandiser in a garment industry export house](#) - Jun 06 2022

web role of a merchandiser in a garment industry export house ms lipsa mohapatra merchandising merchandising is process of creating a merchandise goods bought and sold based on particular demand merchandiser is basically a coordinator one who liaises between buyer and apparel manufacturer to ensure quality merchandise at right

vendor to merchandiser a producer consumer - Jan 13 2023

web functions of the merchandiser in the apparel export houses apparel export merchandising has been defined as all the stages of planning and allied activities conducted from the buyer communication through order receiving right up to the execution or shipment of the order

garment merchandising and export procedures fibre2fashion - Jul 19 2023

web garment merchandising and export procedures merchandising department is the star of the department among all the working departments in the export concern because merchandising is the only

[export merchandising final pdf merchandising sales scribd](#) - Feb 14 2023

web 100 1 724 views 31 pages export merchandising final uploaded by divya divzz rana export merchandising ppt all about export house process and delievery and role of merchandisers copyright all rights reserved available formats download as pptx pdf txt or read online from scribd flag for inappropriate content download now of 31

working of an export house ppt slideshare - May 17 2023

web aug 27 2012 working in various department of an export house the role of the merchandiser in different department learnt about garment industry apparel production process international trade documentation learnt

what is an export house marketing91 - May 05 2022

web jun 13 2018 export house is mostly home based organization located in the manufacturer s country which is involved in the export of products that the manufacturer has produced these export houses carry out most of the export related activities overseas via their own agents and distributors who are in place in the country where the

role of merchandiser in export house pdf exports sales - Aug 20 2023

web export houses have 2 types of merchandisers buyer and production merchandisers buyer merchandisers act as a link between the buyer and the manufacturer selection of markets is the first step in international marketing it is important that the right product is marketed in right markets

[workflow of merchandising in an apparel export](#) - Jul 07 2022

web it involves the product line development from start to end marketing and merchandising departments in which a team of merchandiser work together under a profit controls head in an export house merchandising is a combination of business and technical aspects

roles of merchandiser in the export house youtube - Feb 02 2022

web merchandising apparel merchandising what is an apparel merchandising which are the types of merchandiser in apparel what is the job of a fashion merch

exp ppt 2 export merchandising ppt slideshare - Nov 11 2022

web jun 27 2013 export merchandising export merchandising is a method of offering retail goods for sale in a foreign consumer market many large companies across the country maintain entire divisions devoted to finding ways to better enter foreign retail markets through export merchandising to increase profit and sustain growth thanks to the

functions of merchandising in export house ppt slideshare - Sep 09 2022

web apr 21 2020 functions of merchandising in export house download as a pdf or view online for free

59 export house merchandiser jobs and vacancies indeed - Aug 08 2022

web have already experience in export buying house fashion merchandising in export buying house 2 years preferred have

able to handle production department

what is export merchandising small business chron com - Apr 16 2023

web nov 17 2020 export merchandising is a method of offering retail goods for sale in a foreign consumer market many large companies across the country maintain entire divisions devoted to finding ways to

role of merchandiser in apparel export house pdf scribd - Dec 12 2022

web apparel export house ftopics to be covered definition of merchandiser quality of merchandiser role of merchandiser activities fdefinition of merchandiser merchandiser is a person who coordinates links the buyers vendors and the manufacturer to make buying and selling process to be simple and fast fquality of merchandiser

role of a merchandiser in a export house answers - Apr 04 2022

web nov 6 2022 best answer copy there are 2 types of merchandisers in export houses buyer and production merchandisers buyer merchandisers act as a link between the buyer and the manufacturer they have the

pdf improving the merchandising process in a garment export house - Jun 18 2023

web business management merchandising is defined as activities undertaken to ensure that the right product reaches at the right price in right quantity and at the right time to the final destination in the garment manufacturing industry

merchandiser is the bridge between

tentazioni 61 photos 20 reviews yelp - Jul 02 2022

web collections including tentazioni 23 72 hour trip paris oui oui by betty n 132 challenge yelp 100 avis en 2013 by ophélie t 11 les mini restos by sebastien b 168 challenge 2013 les 100 avis réussi et vous by leslie d 116 paris by sean c 57 paris by gretchen f 24 paris dec2017

collection tentations entrees amuse bouches pdf uniport edu - Apr 30 2022

web sep 1 2023 you could enjoy now is collection tentations entrees amuse bouches below distinction pierre bourdieu 2013 04 15 examines differences in taste between modern french classes discusses the relationship between culture and politics and outlines the strategies of pretension

tentations entrées et amuse bouches broché fnac suisse - Jun 13 2023

web focus sur les amuses bouches des recettes simples et éprouvées faciles à réussir cet ouvrage rempli de bonnes idées vous propose une multitude d idées recettes pour vos amuses bouches et ou vos entrées qui ne manqueront pas de ravir vos convives

tentations entrées et amuse bouches broché collectif fnac - Apr 11 2023

web jun 11 2009 tentations entrées et amuse bouches collectif prisma eds des milliers de livres avec la livraison chez vous en 1 jour ou en magasin avec 5 de réduction tentations entrées et amuse bouches broché collectif achat livre fnac

[tentations entrées et amuse bouches broché collectif livre](#) - Jul 14 2023

web jun 1 2021 fnac tentations entrées et amuse bouches collectif prisma eds livraison chez vous ou en magasin et 5 sur tous les livres achetez neuf ou d occasion

collection tentations entrees amuse bouches by collectif - Dec 27 2021

web focus sur les amuses bouches des recettes simples et éprouvées faciles à réussir cet ouvrage rempli de bonnes idées vous propose une multitude d idées recettes pour vos amuses bouches et ou vos entrées qui ne manqueront pas de ravir vos convives

[tentazioni paris 18th arr buttes montmartre tripadvisor](#) - Oct 05 2022

web jan 19 2020 tentazioni paris see 1 295 unbiased reviews of tentazioni rated 4 5 of 5 on tripadvisor and ranked 577 of 17 359 restaurants in paris

recettes d amuse bouches et d entrée chefsimon com - Dec 07 2022

web craquez pour nos recettes gourmandes d amuse bouches les amuse gueules ou amuse bouches indispensables à l apéritif ou pour un cocktail photo par cyp102 l amuse bouche appelé aussi mise en bouche doit susciter l envie et fondre dans la bouche sans couper l appétit

collection tentations entrees amuse bouches pdf uniport edu - Nov 06 2022

web jul 30 2023 collection tentations entrees amuse bouches 1 8 downloaded from uniport edu ng on july 30 2023 by guest collection tentations entrees amuse bouches as recognized adventure as capably as experience not quite lesson amusement as competently as conformity can be gotten by just checking out a ebook collection

tentazioni cucina italiana paris facebook - Jun 01 2022

web tentazioni cucina italiana paris france 5 047 likes 1 talking about this 1 527 were here tentazioni 86 bis rue lepic 75018 paris tél 01 42 64 90 54 26 rue tholozé 75018 paris tél 01 5

collection tentations entrees amuse bouches by collectif - Aug 15 2023

web collection tentations entrees amuse bouches by collectif tlcharger recevoir simple et chic rodney vaughn media desserts page 55 le palais des saveurs supions en persillade happy papilles lili popotte aot 2011 recette supions en persillade yanncook critique du langage chez les prophtes d isral perse recettes de supions yanncook

collection tentations entrees amuse bouches uniport edu - Aug 03 2022

web may 30 2023 tentations entrees amuse bouches that you are looking for it will unconditionally squander the time however below past you visit this web page it will be so extremely easy to acquire as well as download

[collection tentations entrees amuse bouches by collectif](#) - Jan 28 2022

web collection tentations entrees amuse bouches by collectif introduit nécessairement une nouveauté elle ajuste rabote

égalise soumet à une idéologie simplifiée les élans foisonnants de tout un peuple d inventions plus ou moins bourruées supions en persillade preparation 60min cuisson 5min total 65min

collection tentations entrees amuse bouches - Mar 10 2023

web collection tentations entrees amuse boucheslivre d occasion écrit par collectifparu en 2009 aux éditions cuisine actuelle code isbn ean

collection tentations entrees amuse bouches by collectif - Mar 30 2022

web collection tentations entrees amuse bouches by collectif april 26th 2020 dans ce troisième ouvrage de la collection tentations gourmandes le mof stéphane glacier s est associé avec jean philippe walsler formateur en pâtisserie et spécialiste des croquebouches 63

collection tentations entrees amuse bouches by collectif - Jan 08 2023

web collection tentations entrees amuse bouches by collectif l anne victor hugo au snat snat accueil snat april 17th 2020 le 24 septembre 2002 m jean claude gaudin r i bouches du rhône vice président du sénat inaugure l exposition victor hugo promeneur du luxembourg présentée par le sénat et réalisée par la

collection tentations entrees amuse bouches by collectif - Feb 09 2023

web collection tentations entrees amuse bouches by collectif tentations entres et amuse bouches broch collectif april 8th 2020 tentations entrées et amuse bouches collectif prisma eds des milliers de livres avec la livraison chez vous en 1

collection tentations entrees amuse bouches - Feb 26 2022

web collection tentations entrees amuse boucheslivre d occasion écrit par collectifparu en 2009 aux éditions cuisine actuelle code isbn ean

tentazioni paris 18e arr butte montmartre tripadvisor - Sep 04 2022

web tentazioni paris consultez 1 295 avis sur tentazioni noté 4 5 sur 5 sur tripadvisor et classé 577 sur 17 359 restaurants à paris

collection tentations entrees amp amuse bouches - May 12 2023

web titre collection tentations entrees amuse bouches collection tentations entrees 265590558976 collection tentations entrees amp amuse bouches eur 7 24 À vendre