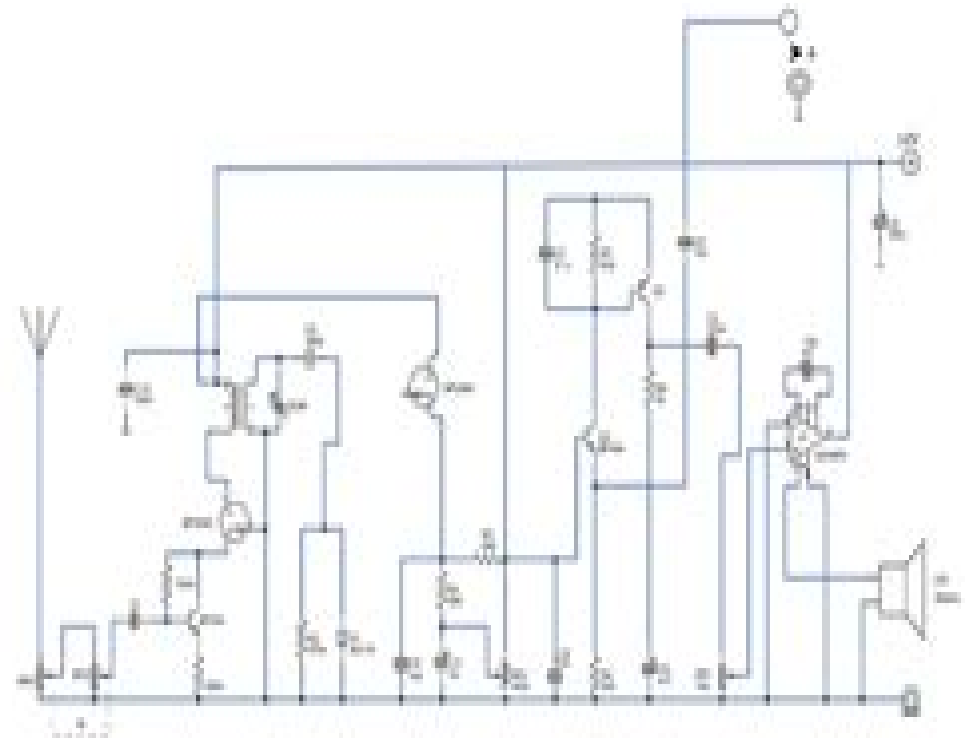


Short Wave Radio Circuit

using LM386N IC



Short Wave

Raffaela Di Napoli



Short Wave:

Right here, we have countless ebook **Short Wave** and collections to check out. We additionally present variant types and moreover type of the books to browse. The enjoyable book, fiction, history, novel, scientific research, as without difficulty as various extra sorts of books are readily friendly here.

As this Short Wave, it ends in the works visceral one of the favored ebook Short Wave collections that we have. This is why you remain in the best website to see the amazing books to have.

<https://www.staging.gilderlehrman.org/book/scholarship/HomePages/easy%20method%20to%20use%20ai%20for%20e-commerce%20store%20step%20by%20step%20batch92%201838.pdf>

Table of Contents Short Wave

1. Understanding the eBook Short Wave
 - The Rise of Digital Reading Short Wave
 - Advantages of eBooks Over Traditional Books
2. Identifying Short Wave
 - Exploring Different Genres
 - Considering Fiction vs. Non-Fiction
 - Determining Your Reading Goals
3. Choosing the Right eBook Platform
 - Popular eBook Platforms
 - Features to Look for in an Short Wave
 - User-Friendly Interface
4. Exploring eBook Recommendations from Short Wave
 - Personalized Recommendations
 - Short Wave User Reviews and Ratings
 - Short Wave and Bestseller Lists
5. Accessing Short Wave Free and Paid eBooks

- Short Wave Public Domain eBooks
- Short Wave eBook Subscription Services
- Short Wave Budget-Friendly Options
- 6. Navigating Short Wave eBook Formats
 - ePub, PDF, MOBI, and More
 - Short Wave Compatibility with Devices
 - Short Wave Enhanced eBook Features
- 7. Enhancing Your Reading Experience
 - Adjustable Fonts and Text Sizes of Short Wave
 - Highlighting and Note-Taking Short Wave
 - Interactive Elements Short Wave
- 8. Staying Engaged with Short Wave
 - Joining Online Reading Communities
 - Participating in Virtual Book Clubs
 - Following Authors and Publishers Short Wave
- 9. Balancing eBooks and Physical Books Short Wave
 - Benefits of a Digital Library
 - Creating a Diverse Reading Collection Short Wave
- 10. Overcoming Reading Challenges
 - Dealing with Digital Eye Strain
 - Minimizing Distractions
 - Managing Screen Time
- 11. Cultivating a Reading Routine Short Wave
 - Setting Reading Goals Short Wave
 - Carving Out Dedicated Reading Time
- 12. Sourcing Reliable Information of Short Wave
 - Fact-Checking eBook Content of Short Wave
 - Distinguishing Credible Sources
- 13. Promoting Lifelong Learning
 - Utilizing eBooks for Skill Development

- Exploring Educational eBooks
14. Embracing eBook Trends
- Integration of Multimedia Elements
 - Interactive and Gamified eBooks

Short Wave Introduction

Short Wave Offers over 60,000 free eBooks, including many classics that are in the public domain. Open Library: Provides access to over 1 million free eBooks, including classic literature and contemporary works. Short Wave Offers a vast collection of books, some of which are available for free as PDF downloads, particularly older books in the public domain. Short Wave : This website hosts a vast collection of scientific articles, books, and textbooks. While it operates in a legal gray area due to copyright issues, its a popular resource for finding various publications. Internet Archive for Short Wave : Has an extensive collection of digital content, including books, articles, videos, and more. It has a massive library of free downloadable books. Free-eBooks Short Wave Offers a diverse range of free eBooks across various genres. Short Wave Focuses mainly on educational books, textbooks, and business books. It offers free PDF downloads for educational purposes. Short Wave Provides a large selection of free eBooks in different genres, which are available for download in various formats, including PDF. Finding specific Short Wave, especially related to Short Wave, might be challenging as theyre often artistic creations rather than practical blueprints. However, you can explore the following steps to search for or create your own Online Searches: Look for websites, forums, or blogs dedicated to Short Wave, Sometimes enthusiasts share their designs or concepts in PDF format. Books and Magazines Some Short Wave books or magazines might include. Look for these in online stores or libraries. Remember that while Short Wave, sharing copyrighted material without permission is not legal. Always ensure youre either creating your own or obtaining them from legitimate sources that allow sharing and downloading. Library Check if your local library offers eBook lending services. Many libraries have digital catalogs where you can borrow Short Wave eBooks for free, including popular titles. Online Retailers: Websites like Amazon, Google Books, or Apple Books often sell eBooks. Sometimes, authors or publishers offer promotions or free periods for certain books. Authors Website Occasionally, authors provide excerpts or short stories for free on their websites. While this might not be the Short Wave full book , it can give you a taste of the authors writing style. Subscription Services Platforms like Kindle Unlimited or Scribd offer subscription-based access to a wide range of Short Wave eBooks, including some popular titles.

FAQs About Short Wave Books

1. Where can I buy Short Wave books? Bookstores: Physical bookstores like Barnes & Noble, Waterstones, and independent local stores. Online Retailers: Amazon, Book Depository, and various online bookstores offer a wide range of books in physical and digital formats.
2. What are the different book formats available? Hardcover: Sturdy and durable, usually more expensive. Paperback: Cheaper, lighter, and more portable than hardcovers. E-books: Digital books available for e-readers like Kindle or software like Apple Books, Kindle, and Google Play Books.
3. How do I choose a Short Wave book to read? Genres: Consider the genre you enjoy (fiction, non-fiction, mystery, sci-fi, etc.). Recommendations: Ask friends, join book clubs, or explore online reviews and recommendations. Author: If you like a particular author, you might enjoy more of their work.
4. How do I take care of Short Wave books? Storage: Keep them away from direct sunlight and in a dry environment. Handling: Avoid folding pages, use bookmarks, and handle them with clean hands. Cleaning: Gently dust the covers and pages occasionally.
5. Can I borrow books without buying them? Public Libraries: Local libraries offer a wide range of books for borrowing. Book Swaps: Community book exchanges or online platforms where people exchange books.
6. How can I track my reading progress or manage my book collection? Book Tracking Apps: Goodreads, LibraryThing, and Book Catalogue are popular apps for tracking your reading progress and managing book collections. Spreadsheets: You can create your own spreadsheet to track books read, ratings, and other details.
7. What are Short Wave audiobooks, and where can I find them? Audiobooks: Audio recordings of books, perfect for listening while commuting or multitasking. Platforms: Audible, LibriVox, and Google Play Books offer a wide selection of audiobooks.
8. How do I support authors or the book industry? Buy Books: Purchase books from authors or independent bookstores. Reviews: Leave reviews on platforms like Goodreads or Amazon. Promotion: Share your favorite books on social media or recommend them to friends.
9. Are there book clubs or reading communities I can join? Local Clubs: Check for local book clubs in libraries or community centers. Online Communities: Platforms like Goodreads have virtual book clubs and discussion groups.
10. Can I read Short Wave books for free? Public Domain Books: Many classic books are available for free as they're in the public domain. Free E-books: Some websites offer free e-books legally, like Project Gutenberg or Open Library.

Find Short Wave :

easy method to use AI for ecommerce store step by step BATCH92-1838

affordable way to create marketing funnel with AI that actually works BATCH92-446

easy method to use AI for blogging in the United States BATCH92-1342

proven strategy to use AI for lead generation for content creators BATCH92-1627

easy method to create AI powered SaaS for beginners BATCH92-2089

free way to create online course using AI that actually works BATCH92-1208

complete beginner guide to create digital products with AI with free tools BATCH92-1929

step by step guide to automate customer service with AI for beginners BATCH92-757

free way to use AI for small business in 2026 BATCH92-2237

easy method to make money with AI tools organically BATCH92-1459

step by step guide to use AI for lead generation organically BATCH92-1221

easy method to use AI for local SEO without paid ads BATCH92-2485

how to make money with AI tools for beginners BATCH92-160

best way to use AI for small business for beginners BATCH92-564

best way to use AI for YouTube automation in the United States BATCH92-1427

Short Wave :

the clinical anaesthesia viva book google books - Aug 07 2022

the second edition of the clinical anaesthesia viva book provides over 120 short and long case questions and answers based on those given at recent final fraa vivas an

cambridge the clinical anaesthesia viva book amazon com au - Sep 08 2022

jan 12 2010 simon l maguire abdul ghaaliq lalkhen brendan a mcgrath and hamish thomson chapter get access cite type chapter information the clinical anaesthesia viva

the clinical anaesthesia viva book google books - Mar 14 2023

mar 1 2010 the clinical anaesthesia viva book is the second edition of a popular examination text originally published 7 yr ago it incorporates various changes to the final

the clinical anaesthesia viva book british journal of - Jun 17 2023

the clinical anaesthesia viva book barker julian m amazon com tr kitap Çerez tercihlerinizi seçin Çerez bildirimimizde

ayrıntılı şekilde açıklandığı üzere alışveriş yapmanızı

the clinical anaesthesia viva book julian m barker pdf - Apr 03 2022

jan 12 2010 the second edition of the hugely popular the clinical anaesthesia viva book builds on the success of the first by providing a thorough review of short and long case

the clinical anaesthesia viva book 2nd edition - Feb 13 2023

jan 12 2010 the clinical science viva this is a 30 minute viva consisting of 4 questions on applied pharmacology anatomy physiology and physics this viva is not within the scope of

preparation for the clinical viva chapter 1 the clinical - Dec 11 2022

julian m barker simon j mills simon l maguire abdul ghaaliq lalkhen brendan a mcgrath and hamish thomson chapter get access cite type chapter information the

the clinical anaesthesia viva book academia edu - Mar 02 2022

may 1 2010 sign in access personal subscriptions purchases paired institutional or society access and free tools such as email alerts and saved searches

index the clinical anaesthesia viva book cambridge - May 16 2023

oct 8 2009 written by a team of expert consultants and senior trainees with successful experience of the final frca this second edition of the clinical anaesthesia viva book is

book review the clinical anaesthesia viva book second - Dec 31 2021

feb 5 2015 clinical anaesthesia mark blunt john urquhart colin pinnock book the anaesthesia viva online publication 05 february 2015 chapter doi

the clinical anaesthesia viva book amazon com - Aug 19 2023

the clinical anaesthesia viva book is the second edition of a popular examination text originally published 7 yr ago it incorporates various changes to the final frca examination

the long cases the one about chapter 3 the clinical - Jul 06 2022

oct 8 2009 the second edition of the hugely popular the clinical anaesthesia viva book builds on the success of the first by providing a thorough review of short and long case

the clinical anaesthesia viva book 2nd ed ebooks com - Nov 10 2022

cambridge the clinical anaesthesia viva book paperback 08 october 2009 julian m barker simon j mills simon l maguire abdul ghaaliq lalkhen brendan a mcgrath on

the clinical anaesthesia viva book ebook amazon com au - Jun 05 2022

the clinical anaesthesia viva book f by julian m barker cambridge university press fthe second edition of the hugely popular

the clinical anaesthesia viva book builds on the
[the clinical anaesthesia viva book researchgate](#) - Feb 01 2022

clinical anaesthesia viva book by mills simon publication date 2002 topics anesthesia examinations questions etc anesthesia
anesthesia examination questions anesthetics

clinical anaesthesia viva book 2nd edition anesthesia - Jul 18 2023

jan 12 2010 julian m barker simon j mills simon l maguire abdul ghaaliq lalkhen brendan a mcgrath and hamish thomson
chapter get access share cite type chapter

the clinical anaesthesia viva book oxford academic - Jan 12 2023

the second edition of the hugely popular the clinical anaesthesia viva book builds on the success of the first by providing a
thorough review of short and long case questions typically

[the clinical anaesthesia viva book amazon com](#) - May 04 2022

we are all aware of the increased use of ultrasound in anaesthesia the clinical anaesthesia viva book is the second edition and
intensive care due to the development of high quality of a

[the clinical anaesthesia viva book cambridge](#) - Sep 20 2023

oct 8 2009 the second edition of the hugely popular the clinical anaesthesia viva book builds on the success of the first by
providing a thorough review of short and long case

[the clinical anaesthesia viva book kağıt kapak amazon com tr](#) - Apr 15 2023

the clinical anaesthesia viva book is an excellent tool for anyone preparing for the oral boards the equivalent of the american
oral board exam in the united kingdom is the viva

[clinical anaesthesia the anaesthesia viva](#) - Oct 29 2021

[the short cases chapter 2 the clinical anaesthesia viva](#) - Oct 09 2022

jan 12 2001 the clinical anaesthesia viva book simon j mills simon l maguire julian m barker cambridge university press jan
12 2001 medical 272 pages the final frca

clinical anaesthesia viva book mills simon free download - Nov 29 2021

[cfs f sol cp 620 hilti](#) - Jun 18 2022

web revision date 13 01 2021 supersedes 19 12 2017 version 8 0 section 1 kit identification 1 1 product identifier trade name
product code cfs f sol cp 620 bu fire protection 1 2 details of the supplier of the safety information for

[cp 620 firestop foam firestop foams hilti singapore](#) - Oct 03 2023

web rigid and fast curing firestop foam with excellent water resistance to help create a fire smoke and moisture barrier around cable and mixed penetrations base materials concrete masonry drywall application temperature range 10 30 c colour red

cp 620 firestop foam firestop sealants sprays and coatings hilti - Jun 30 2023

web rigid and fast curing firestop foam with excellent water resistance to help create a fire smoke and moisture barrier around cable and mixed penetrations base materials concrete masonry drywall approvals bs 476 20 din fm ul

printed 14 10 2019 doc nr pub 5443488 000 01 hilti - Oct 23 2022

web the product is designed to be used to form a permanent fire resistant seal around cables cable trays combustible and non combustible pipes in openings through walls or ceilings the product is suitable for sealing small to medium sized openings the expanding fire seal is suitable for interior use only 5

pdf hilti cp 620 fire stop foam catalogue - Mar 16 2022

web hilti cp 620 fire stop foam catalogue title list of documents made publicly available apr 02 2020 manual jul 18 2021 approval guide nov 21 2021 federal register apr 14 2021 the fire fighter s handbook of hazardous materials sep 19 2021

hazardous materials are an inevitable part of every fire fighter s job this book provides a quick

firestop systems and construction chemicals hilti usa - May 30 2023

web flexible firestop sealant cp 606 applications h sealing rigid or low movement ceiling wall joints widths from 6 to 30 mm h sealing cable tray penetrations h sealing metal pipe penetrations h for use in various base materials such as masonry concrete drywall and metal advantages

firestop products hilti australia - Aug 21 2022

web firestop block plug and foam systems firestop solutions for cable penetrations designed for easy installation and easy repenetration for retrofitted cables and to reduce dust and fibers click on the required product to access various technical documents

cp 620 hilti usa - Nov 23 2022

web methods for cleaning up incompatible materials avoid release to the environment store in a well ventilated place keep cool do not handle until all safety precautions have been read and understood wear personal protective equipment do not breathe vapours use only outdoors or in a well ventilated area

cp 620 firestop foam autospec - Dec 25 2022

web firestop foam cp 620 370896 dispenser hilti case dsc case 339131 including mixer and for further details please contact your local hilti representative technical data cp 620 color red applicationtemperature range 5 c 40 c min curing time ready to cut 2 min foamyield 1 9 l tack free

drat hilti usa - Mar 28 2023

web cp 620 firestop foam 12 338725 cp 620 dispenser 12 371883 mold and mildew resistant smoke fm 33529 ru 3hghwudwlrq luh 6wrsv rqvow wkh dfwru 0xwxdo 5hvhdufk rusrudwlrq ssurydo xlgh r fill void or cavity materials classified by underwriters laboratories inc for use in trough penetration firestop systems see ul fire resistance

cp 620 firestop foam firestop sealants sprays and coatings hilti - Aug 01 2023

web hilti firestop sealants sprays and coatings cp 620 firestop foam rigid and fast curing firestop foam with excellent water resistance to help create a fire smoke and moisture barrier around cable and mixed penetrations

how to apply hilti cp620 firestop foam ask hilti - Apr 16 2022

web aug 3 2020 how to apply hilti cp620 firestop foam this video shows you how to properly apply hilti cp 620 firestop foam

cfs f sol cp 620 buildsite - Sep 21 2022

web trade name cfs f sol cp 620 product code bu fire protection 1 2 details of the supplier of the safety information for 2 component products hilti inc legacy tower suite 1000 7250 dallas parkway 75024 plano usa t 1 9724035800 1 800 879 8000 toll free f 1 918 254 0522 section 2 general information

firestop sealants sprays and coatings hilti usa - Feb 24 2023

web cp 620 firestop foam website common label performance ultimate rigid and fast curing firestop foam with excellent water resistance to help create a fire smoke and moisture barrier around cable and mixed penetrations website product labels frompriceprefix 17 00 website product labels compare cs s sa light smoke and acoustic sealant

hilti cp 620 fire stop foam catalogue download only - Feb 12 2022

web hilti cp 620 fire stop foam catalogue carpenter apr 16 2023 thomas register of american manufacturers feb 14 2023 vols for 1970 71 includes manufacturers catalogs the law of insurance nov 18 2020 ajfocus aug 08 2022 the aircraft spotteräó s film and television companion nov 11 2022

firestop sealants sprays and coatings hilti gb - Jan 26 2023

web cp 620 firestop foam rigid and fast curing firestop foam with excellent water resistance to help create a fire smoke and moisture barrier around cable and mixed penetrations cp 637 firestop mortar firestop mortar to help prevent fire and smoke from spreading through large openings and load bearing applications cfs f fx flexible firestop foam easy to

cp 620 firestop foam firestop sealants sprays and coatings hilti - Sep 02 2023

web products firestop fire protection firestop sealants sprays and coatings cp 620 firestop foam back request demo ultimate rigid and fast curing firestop foam with excellent water resistance to help create a fire smoke and moisture barrier around cable and mixed penetrations application temperature range 50 86 f color red

cp 660 flexible firestop foam firestop foams hilti usa - Jul 20 2022

web ratings reviews hilti firestop foams cp 660 flexible firestop foam easy to install flexible firestop foam to help create a fire and smoke barrier around for cable and mixed penetrations

cp 620 firestop foam firestop foams hilti gb - Apr 28 2023

web rigid and fast curing firestop foam with excellent water resistance to help create a fire smoke and moisture barrier around cable and mixed penetrations base materials concrete masonry drywall application temperature range 10 30 c colour red

extension tube cp 620 ext nozzles extensions for firestop hilti - May 18 2022

web extension tube cp 620 ext 338716 back website smartbar demo label dispenser category cartridge foam dispenser more technical data share

pdf 13 case studies in human resource management and management - Aug 13 2023

web oct 19 2022 the case studies from many fields from the human resource management social science and management perspective explore the academics experience

human resource management applications cases exercises incidents - Oct 15 2023

web oct 10 2007 hrm applications is an interesting and useful book particularly for lecturers and tutors the interesting and topical cases incidents exercises and skill builders are excellent the step by step and integrative approach of this book sets itself apart from most contemporary hrm textbook resource materials

1 4 cases and problems human resource management - Sep 14 2023

web human resource management involves seven main areas 1 staffing 2 workplace policies 3 benefits and compensation 4 retention 5 training 6 employment laws and 7 employee protection

human resource management case study with solutions - May 30 2022

web aug 8 2023 chapter exploring dependence of human resource management hrm on internet of things iot and digital

mark june 2023 shafaq zareen shad ahmad khan the field of human resource

cases in human resource management sage publications inc - May 10 2023

web description contents resources reviews features preview cases in human resource management provides students with insights into common challenges dilemmas and issues human resource managers face in the workplace

human resource management the ultimate guide capterra - Aug 01 2022

web nov 10 2023 human resource management is the practice of recruiting hiring deploying and managing a team of employees however successful hr managers do more than manage people they set them up with essential tools and resources hrm involves the creation of policies and procedures that support business objectives it is a

a review of machine learning applications in human resource management - Jul 12 2023

web feb 2 2021 7927 abstract purpose this paper reviews 105 scopus indexed articles to identify the degree scope and purposes of machine learning ml adoption in the core functions of human resource management hrm design methodology approach a semi systematic approach has been used in this review

[applications in human resource management cases exercises](#) - Nov 04 2022

web programmes human resource management case studies jun 04 2020 cases in public human resource management mar 14 2021 this collection of actual case studies with only names changed is appropriate for both graduates and undergraduates taking courses in public personnel management human resources management or employment

human resource management applications cases exercises - Oct 03 2022

web sep 29 2010 an emphasis on problem solving and decision making throughout the exercises make human resource management applications 7e ideal for any level of study new and updated cases and applications drawn from actual current events highlight a variety of organizations and industries including today s growing service sector

work employment and human resource management case study applications - Mar 08 2023

web pdf on feb 28 2020 tony dundon and others published work employment and human resource management case study applications find read and cite all the research you need on researchgate

[applications in human resource management cases exercises](#) - Feb 07 2023

web applications in human resource management cases exercises skill builders s nkomo m fottler r mcafee published 1996 business a model for analyzing cases in personnel human resource management part 1 introduction to personnel human resource management part 2 the legal and regulatory environment of

human resource management applications cases exercises incidents - Jun 30 2022

web the digital and etextbook isbn for human resource management applications cases exercises incidents and skill builders are 9781133170471 1133170471 and the print isbn are 9781133459057 1133459056 save up to 80 versus print by going digital with vitalsource additional isbn for this etextbook include 9781111548025

[human resource management applications cases exercises](#) - Jan 06 2023

web human resource management applications cases exercises incidents and skill builders 7th edition 9780538468077 cengage supplement your introductory human resource management course with this unique single source for the latest cases exercises incidents and skill builders including a comprehensive term project and

human resource management applications cases exercises - Apr 09 2023

web apr 17 2007 human resource management applications cases exercises incidents and skill builders stella nkomo myron d fottler r bruce mcafee cengage learning apr 17 2007 business economics

pdf [applications in human resource management a study of](#) - Dec 05 2022

web sep 30 2021 pdf for the purpose of achieving four research objectives 1 to describe general meaning types and utility of applications in human resource find read and cite all the research you

[human resource management applications cases exercises](#) - Feb 24 2022

web sep 29 2010 human resource management applications cases exercises and skill builders 7e focuses on the abilities most important in hrm today with timely new cases and applications drawn from a variety of real organizations including those in today s growing service sector

human resource management applications cases exercises incidents - Jun 11 2023

web sep 29 2010 human resource management applications cases exercises and skill builders 7e focuses on the abilities most important in hrm today with timely new cases and applications drawn from a variety of real organizations including those in today s growing service sector

human resource management practices a case study of - Apr 28 2022

web jan 1 2014 human resource management practices a case study of south asia n countries vol 9 no 1 spring 2014 91 the absence of suitable hr competence the ongoing arrangement is not likely to work for a

[best pdf human resource management applications cases](#) - Mar 28 2022

web jun 25 2020 best pdf human resource management applications cases exercises incidents and skill builders 7th edition full pdf online pdf download human resource management applications cases exercises incidents and skill builders 7th edition read human resource management applications cases exercises

[human resource applications 2023 effective applications of hris](#) - Sep 02 2022

web oct 23 2023 human resource applications centralize all this information and the tasks surrounding them accessing and tracking information becomes much more manageable with everything stored in a single database and with a self service portal added to the mix employees can easily find and update their info 4