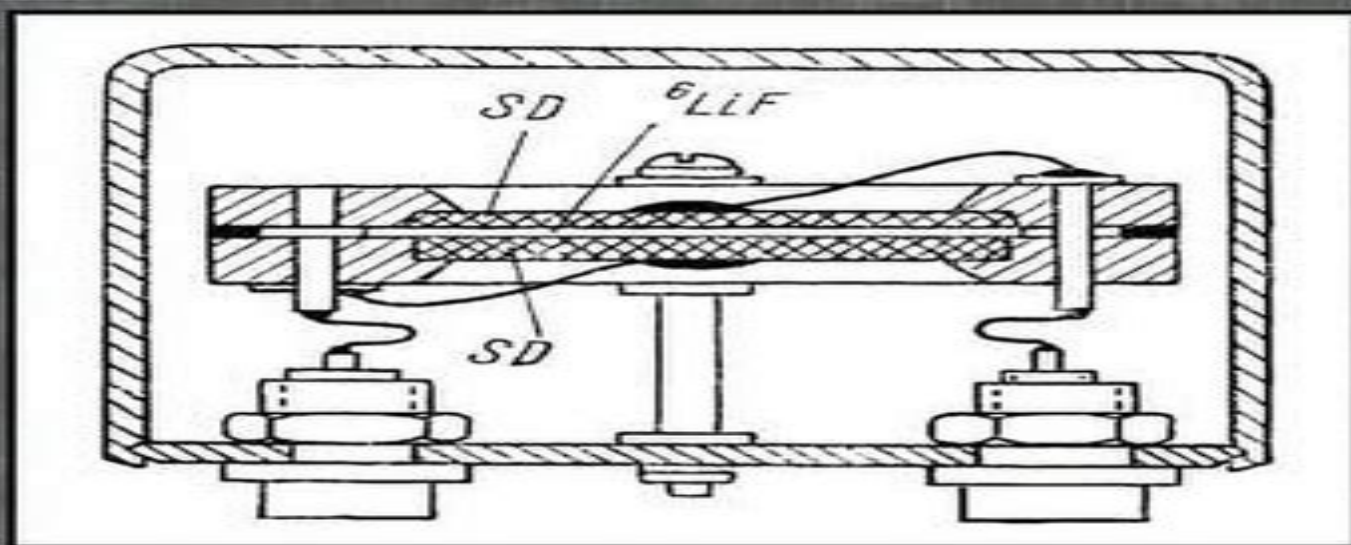


Measurement of Nuclear Radiation with Semiconductor Detectors



D.N. POENARU
N. VILCOV

Semiconductor Detectors For Nuclear Radiation Measurement

G Orfield



Semiconductor Detectors For Nuclear Radiation Measurement:

Immerse yourself in the artistry of words with Crafted by is expressive creation, Immerse Yourself in **Semiconductor Detectors For Nuclear Radiation Measurement** . This ebook, presented in a PDF format (PDF Size: *), is a masterpiece that goes beyond conventional storytelling. Indulge your senses in prose, poetry, and knowledge. Download now to let the beauty of literature and artistry envelop your mind in a unique and expressive way.

<https://www.staging.gilderlehrman.org/results/browse/index.jsp/Search%20The%20Inside%20Story%20Of%20How%20Google%20And%20Its%20Rivals%20Changed%20Everything.pdf>

Table of Contents Semiconductor Detectors For Nuclear Radiation Measurement

1. Understanding the eBook Semiconductor Detectors For Nuclear Radiation Measurement
 - The Rise of Digital Reading Semiconductor Detectors For Nuclear Radiation Measurement
 - Advantages of eBooks Over Traditional Books
2. Identifying Semiconductor Detectors For Nuclear Radiation Measurement
 - Exploring Different Genres
 - Considering Fiction vs. Non-Fiction
 - Determining Your Reading Goals
3. Choosing the Right eBook Platform
 - Popular eBook Platforms
 - Features to Look for in an Semiconductor Detectors For Nuclear Radiation Measurement
 - User-Friendly Interface
4. Exploring eBook Recommendations from Semiconductor Detectors For Nuclear Radiation Measurement
 - Personalized Recommendations
 - Semiconductor Detectors For Nuclear Radiation Measurement User Reviews and Ratings
 - Semiconductor Detectors For Nuclear Radiation Measurement and Bestseller Lists
5. Accessing Semiconductor Detectors For Nuclear Radiation Measurement Free and Paid eBooks
 - Semiconductor Detectors For Nuclear Radiation Measurement Public Domain eBooks
 - Semiconductor Detectors For Nuclear Radiation Measurement eBook Subscription Services

- Semiconductor Detectors For Nuclear Radiation Measurement Budget-Friendly Options
- 6. Navigating Semiconductor Detectors For Nuclear Radiation Measurement eBook Formats
 - ePub, PDF, MOBI, and More
 - Semiconductor Detectors For Nuclear Radiation Measurement Compatibility with Devices
 - Semiconductor Detectors For Nuclear Radiation Measurement Enhanced eBook Features
- 7. Enhancing Your Reading Experience
 - Adjustable Fonts and Text Sizes of Semiconductor Detectors For Nuclear Radiation Measurement
 - Highlighting and Note-Taking Semiconductor Detectors For Nuclear Radiation Measurement
 - Interactive Elements Semiconductor Detectors For Nuclear Radiation Measurement
- 8. Staying Engaged with Semiconductor Detectors For Nuclear Radiation Measurement
 - Joining Online Reading Communities
 - Participating in Virtual Book Clubs
 - Following Authors and Publishers Semiconductor Detectors For Nuclear Radiation Measurement
- 9. Balancing eBooks and Physical Books Semiconductor Detectors For Nuclear Radiation Measurement
 - Benefits of a Digital Library
 - Creating a Diverse Reading Collection Semiconductor Detectors For Nuclear Radiation Measurement
- 10. Overcoming Reading Challenges
 - Dealing with Digital Eye Strain
 - Minimizing Distractions
 - Managing Screen Time
- 11. Cultivating a Reading Routine Semiconductor Detectors For Nuclear Radiation Measurement
 - Setting Reading Goals Semiconductor Detectors For Nuclear Radiation Measurement
 - Carving Out Dedicated Reading Time
- 12. Sourcing Reliable Information of Semiconductor Detectors For Nuclear Radiation Measurement
 - Fact-Checking eBook Content of Semiconductor Detectors For Nuclear Radiation Measurement
 - Distinguishing Credible Sources
- 13. Promoting Lifelong Learning
 - Utilizing eBooks for Skill Development
 - Exploring Educational eBooks
- 14. Embracing eBook Trends

- Integration of Multimedia Elements
- Interactive and Gamified eBooks

Semiconductor Detectors For Nuclear Radiation Measurement Introduction

Free PDF Books and Manuals for Download: Unlocking Knowledge at Your Fingertips In today's fast-paced digital age, obtaining valuable knowledge has become easier than ever. Thanks to the internet, a vast array of books and manuals are now available for free download in PDF format. Whether you are a student, professional, or simply an avid reader, this treasure trove of downloadable resources offers a wealth of information, conveniently accessible anytime, anywhere. The advent of online libraries and platforms dedicated to sharing knowledge has revolutionized the way we consume information. No longer confined to physical libraries or bookstores, readers can now access an extensive collection of digital books and manuals with just a few clicks. These resources, available in PDF, Microsoft Word, and PowerPoint formats, cater to a wide range of interests, including literature, technology, science, history, and much more. One notable platform where you can explore and download free Semiconductor Detectors For Nuclear Radiation Measurement PDF books and manuals is the internet's largest free library. Hosted online, this catalog compiles a vast assortment of documents, making it a veritable goldmine of knowledge. With its easy-to-use website interface and customizable PDF generator, this platform offers a user-friendly experience, allowing individuals to effortlessly navigate and access the information they seek. The availability of free PDF books and manuals on this platform demonstrates its commitment to democratizing education and empowering individuals with the tools needed to succeed in their chosen fields. It allows anyone, regardless of their background or financial limitations, to expand their horizons and gain insights from experts in various disciplines. One of the most significant advantages of downloading PDF books and manuals lies in their portability. Unlike physical copies, digital books can be stored and carried on a single device, such as a tablet or smartphone, saving valuable space and weight. This convenience makes it possible for readers to have their entire library at their fingertips, whether they are commuting, traveling, or simply enjoying a lazy afternoon at home. Additionally, digital files are easily searchable, enabling readers to locate specific information within seconds. With a few keystrokes, users can search for keywords, topics, or phrases, making research and finding relevant information a breeze. This efficiency saves time and effort, streamlining the learning process and allowing individuals to focus on extracting the information they need. Furthermore, the availability of free PDF books and manuals fosters a culture of continuous learning. By removing financial barriers, more people can access educational resources and pursue lifelong learning, contributing to personal growth and professional development. This democratization of knowledge promotes intellectual curiosity and empowers individuals to become lifelong learners, promoting progress and innovation in various fields. It is worth noting that while accessing free Semiconductor Detectors For Nuclear Radiation

Measurement PDF books and manuals is convenient and cost-effective, it is vital to respect copyright laws and intellectual property rights. Platforms offering free downloads often operate within legal boundaries, ensuring that the materials they provide are either in the public domain or authorized for distribution. By adhering to copyright laws, users can enjoy the benefits of free access to knowledge while supporting the authors and publishers who make these resources available. In conclusion, the availability of Semiconductor Detectors For Nuclear Radiation Measurement free PDF books and manuals for download has revolutionized the way we access and consume knowledge. With just a few clicks, individuals can explore a vast collection of resources across different disciplines, all free of charge. This accessibility empowers individuals to become lifelong learners, contributing to personal growth, professional development, and the advancement of society as a whole. So why not unlock a world of knowledge today? Start exploring the vast sea of free PDF books and manuals waiting to be discovered right at your fingertips.

FAQs About Semiconductor Detectors For Nuclear Radiation Measurement Books

How do I know which eBook platform is the best for me? Finding the best eBook platform depends on your reading preferences and device compatibility. Research different platforms, read user reviews, and explore their features before making a choice. Are free eBooks of good quality? Yes, many reputable platforms offer high-quality free eBooks, including classics and public domain works. However, make sure to verify the source to ensure the eBook credibility. Can I read eBooks without an eReader? Absolutely! Most eBook platforms offer webbased readers or mobile apps that allow you to read eBooks on your computer, tablet, or smartphone. How do I avoid digital eye strain while reading eBooks? To prevent digital eye strain, take regular breaks, adjust the font size and background color, and ensure proper lighting while reading eBooks. What the advantage of interactive eBooks? Interactive eBooks incorporate multimedia elements, quizzes, and activities, enhancing the reader engagement and providing a more immersive learning experience. Semiconductor Detectors For Nuclear Radiation Measurement is one of the best book in our library for free trial. We provide copy of Semiconductor Detectors For Nuclear Radiation Measurement in digital format, so the resources that you find are reliable. There are also many Ebooks of related with Semiconductor Detectors For Nuclear Radiation Measurement. Where to download Semiconductor Detectors For Nuclear Radiation Measurement online for free? Are you looking for Semiconductor Detectors For Nuclear Radiation Measurement PDF? This is definitely going to save you time and cash in something you should think about. If you trying to find then search around for online. Without a doubt there are numerous these available and many of them have the freedom. However without doubt you receive whatever you purchase. An alternate way to get ideas is always to check another Semiconductor Detectors For Nuclear Radiation Measurement. This method for see exactly what may be

included and adopt these ideas to your book. This site will almost certainly help you save time and effort, money and stress. If you are looking for free books then you really should consider finding to assist you try this. Several of Semiconductor Detectors For Nuclear Radiation Measurement are for sale to free while some are payable. If you arent sure if the books you would like to download works with for usage along with your computer, it is possible to download free trials. The free guides make it easy for someone to free access online library for download books to your device. You can get free download on free trial for lots of books categories. Our library is the biggest of these that have literally hundreds of thousands of different products categories represented. You will also see that there are specific sites catered to different product types or categories, brands or niches related with Semiconductor Detectors For Nuclear Radiation Measurement. So depending on what exactly you are searching, you will be able to choose e books to suit your own need. Need to access completely for Campbell Biology Seventh Edition book? Access Ebook without any digging. And by having access to our ebook online or by storing it on your computer, you have convenient answers with Semiconductor Detectors For Nuclear Radiation Measurement To get started finding Semiconductor Detectors For Nuclear Radiation Measurement, you are right to find our website which has a comprehensive collection of books online. Our library is the biggest of these that have literally hundreds of thousands of different products represented. You will also see that there are specific sites catered to different categories or niches related with Semiconductor Detectors For Nuclear Radiation Measurement So depending on what exactly you are searching, you will be able to choose ebook to suit your own need. Thank you for reading Semiconductor Detectors For Nuclear Radiation Measurement. Maybe you have knowledge that, people have search numerous times for their favorite readings like this Semiconductor Detectors For Nuclear Radiation Measurement, but end up in harmful downloads. Rather than reading a good book with a cup of coffee in the afternoon, instead they juggled with some harmful bugs inside their laptop. Semiconductor Detectors For Nuclear Radiation Measurement is available in our book collection an online access to it is set as public so you can download it instantly. Our digital library spans in multiple locations, allowing you to get the most less latency time to download any of our books like this one. Merely said, Semiconductor Detectors For Nuclear Radiation Measurement is universally compatible with any devices to read.

Find Semiconductor Detectors For Nuclear Radiation Measurement :

search the inside story of how google and its rivals changed everything

sec football trivia

[scythe mowing hay cutting weeds and harvesting small grains with hand tools](#)

searcher no 3 tin badge

[seagull morning](#)

sea machines

sea lions/los leones marinos

scritti di teoria letteraria

seaquest dsv the ancient

seasons of a farm family

~~se resume generator on ed~~

seabirds of the farallon islands

sculpture from arcadia and laconia oxbow monograp

sculpting miniature military figures

~~sea cliffs and green ridges poems of the west~~

Semiconductor Detectors For Nuclear Radiation Measurement :

free construction contract template sample pdf eforms - Jun 13 2023

web aug 21 2023 a construction contract is used by a client seeking to build or remodel a property with the hired help of a general contractor the agreement will detail the general contractor s scope of work including payment and rights to subcontract any of the tasks involved in completing the construction

general contractor agreement guide legalzoom - Apr 11 2023

web overview hiring a general contractor is a nerve wracking experience for any home or property owner this company or individual will be in charge of your entire project whether it is completely new construction or a major remodeling you are putting one of your most valuable assets in someone else s hands

free construction contracts template signaturely - Jan 08 2023

web we ve designed a free construction contract template for your to use repeatedly as you scale your business download our free sample today

free construction contract template sign templates jotform - Aug 03 2022

web need a faster way to generate contracts for your construction company do it with jotform s free construction contract template instead of using messy and time consuming paper forms this template lets you share your contract online to be filled out and signed by your clients on any device

free contract templates and agreements word or pdf - Mar 10 2023

web find free contract templates you can use today and download in pdf or word all templates have been reviewed by legal experts and are ready to use

general contractor agreement forms legalzoom - Jul 14 2023

web general contractor agreements help ensure owner and contractor are on the same page before a project begins if you plan to charge the owner a fixed fee for your work use the stipulated fee form if they ll cover your materials as well an expense which could fluctuate use cost plus fee

construction contract templates download print for free - Feb 09 2023

web construction contract template our simple construction contract template is a free customizable document that details the terms and conditions of a construction project it is accessible in word and pdf formats and can be customized to meet the

subcontractor agreement template word pdf wonder legal - Nov 06 2022

web jun 2 2023 home documents business commercial activity subcontractor agreement subcontractor agreement last revision 06 02 2023 formats word and pdf size 7 to 10 pages rating 4 6 fill out the template how does it work 1 choose this template start by clicking on fill out the template 2 complete the document

contractor contract template free sample proposable - Dec 27 2021

web independent contractor agreement pdf because of everything discussed above it is highly advisable for business owners to use a free fillable independent contractor agreement pdf that way you ll have an easily accessible and modifiable template ready to go any time you need to sign a new agreement with an existing or new contractor

free sample general contractor agreement block guides - Oct 05 2022

web jan 11 2019 guide need a general contractor agreement for your renovation try this simple sample contract 01 11 2019 say you ve decided on a general contractor for your home renovation you ve considered your options ruled out a design build firm know what you want and have someone in mind for the job what next before any work begins

free construction contract template pdf word - Aug 15 2023

web jun 25 2023 a construction contract agreement is a written document between a property owner and a general contractor specifying the construction renovations alterations or other work on the property owner s home or land

free contractor agreement template download in word - Jun 01 2022

web contractor agreement templates get started with template net s free contractor agreement templates worry no more because our agreements are structured for independent contractors subcontractors construction employees and

construction contract template pdf word sample formswift - Jan 28 2022

web a construction contract is a legal document that is used to describe the services and costs associated with a construction project a construction contract could be used for a home or business depending on the client a construction

41 simple construction contract templates 100 free - Sep 04 2022

web contractor agreement the construction contract template is often essential to any kind of construction job and you will

need these general items to be included in the contract that you have drafted owner of the property general contractor name and information

[general contracting printable contracts](#) - Dec 07 2022

web general contracting agreement this agreement agreement is made this date day of month year between name henceforth known as contractor and name henceforth known as owner pursuant to the work described in an estimate a previous agreement etc the contractor and owner agree to the following section 1 the

contractor templates download print for free workyard blog - May 12 2023

web general contractor agreement customize your general contractor agreement by downloading this form and filling in your contract details great for hiring general contractors for any construction project download your general contractor agreement template here choose from pdf word or google docs

free printable easy to edit contract and agreement templates - Apr 30 2022

web easiest contract and agreement templates for leases real estate and rentals for individuals and businesses never write your own legal contracts again

[general construction contract template](#) - Mar 30 2022

web general construction contract template download this general construction contract template design in google docs word apple pages format easily editable printable downloadable general construction firms offer a wide variety of construction services

general contractor agreement how to guide legalzoom - Feb 26 2022

web sep 1 2023 1 overview hiring a general contractor is a nerve wracking experience for any home or property owner this company or individual will be in charge of your entire project whether it be completely new construction or a major remodeling and the owner is putting one of its most valuable assets in someone else s hands

[100 free contract templates jotform](#) - Jul 02 2022

web to address the difficulties and less featured templates jotform creates a collection of ready made contract templates in pdf format that is completely customizable and a free to use many of our contract templates are made to have the basic sections such as the terms of employment employee responsibilities compensation and benefits and one

the hot bread kitchen cookbook artisanal baking from around - Mar 07 2022

web recipe online kale onion and cheddar m smen page 31 from the hot bread kitchen cookbook artisanal baking from around the world by jessamyn waldman rodriguez categories pies tarts pastries main course cooking for a crowd moroccan vegetarian ingredients all purpose flour semolina butter white onions kale sharp cheddar cheese 1

the hot bread kitchen cookbook artisanal baking from around - Feb 18 2023

web the hot bread kitchen cookbook artisanal baking from around the world rodriguez jessamyn waldman amazon com au books

hot bread kitchen cookbook artisanal baking from around the - Jun 22 2023

web buy hot bread kitchen cookbook artisanal baking from around the world illustrated by rodriguez jessamyn waldman turshen julia isbn 9780804186179 from amazon s book store everyday low prices and free delivery on eligible orders

amazon com hot bread kitchen cookbook - Oct 14 2022

web oct 13 2015 the hot bread kitchen cookbook artisanal baking from around the world by jessamyn waldman rodriguez and julia turshen oct 13 2015 4 5 4 5 out of 5 stars 301

the hot bread kitchen cookbook artisanal baking from around - Aug 12 2022

web the hot bread kitchen cookbook artisanal baking from around the world jessamyn waldman rodriguez with julia turshen 304 pages first pub 2015 editions

the hot bread kitchen cookbook artisanal baking from around - Jan 17 2023

web bake authentic multiethnic breads from the new york city bakery with a mission with the hot bread kitchen cookbook yahoo food s cookbook of the year at first glance hot bread kitchen may look like many other bakeries multigrain sandwich loaves sourdough batards baguettes and parker house rolls line the glass case up front in the small shop

the hot bread kitchen cookbook artisanal baking from around - Dec 16 2022

web clarkson potter 35 304p isbn 978 0 8041 8617 9 rodriguez had the idea for a bakery that celebrated regional specialties and gave women a leg up in the male dominated baking industry right

the hot bread kitchen cookbook artisanal baking from around - Jun 10 2022

web authentic multiethnic breads from the new york city bakery with a mission nbsp nbsp at first glance nbsp hot bread kitchen nbsp may look like many other bakeries nbsp multigrain sandwich loaves sourdough batards baguettes and nbsp parker house rolls nbsp line the glass case up front in the small shop

the hot bread kitchen cookbook artisanal baking from around - Aug 24 2023

web oct 13 2015 bake authentic multiethnic breads from the new york city bakery with a mission with the hot bread kitchen cookbook yahoo food s cookbook of the year at first glance hot bread kitchen may look like many other bakeries multigrain sandwich loaves sourdough batards baguettes and parker house rolls line the glass case up

pdf epub the hot bread kitchen cookbook artisanal baking - Feb 06 2022

web sep 19 2023 this is free download the hot bread kitchen cookbook artisanal baking from around the world by jessamyn waldman rodriguez complete book soft copy download book the hot bread kitchen cookbook artisanal baking from around the world by author jessamyn waldman rodriguez in pdf epub original title isbn

the hot bread kitchen cookbook artisanal baking from around - Apr 08 2022

web the hot bread kitchen cookbook artisanal baking from around the world ebook rodriguez jessamyn waldman turshen julia amazon com au kindle store

the hot bread kitchen cookbook - May 21 2023

web 10 the hot bread kitchen cookbook introduction11 that someone else would make it happen when no one did i decided to pull together the pieces to launch hot bread kitchen first things first i needed to learn how to bake professionally i took bread baking classes at the new school and did a apprenticeship in stage

the hot bread kitchen cookbook artisanal baking from around - Mar 19 2023

web the hot bread kitchen cookbook artisanal baking from around the world rodriguez jessamyn waldman turshen julia amazon sg books

the hot bread kitchen cookbook apple books - Jul 11 2022

web bake authentic multiethnic breads from the new york city bakery with a mission with the hot bread kitchen cookbook yahoo food s cookbook of the year at first glance hot bread kitchen may look like many other bakeries multigrain sandwich loaves sourdough batards baguettes and parker house rolls line the glass case up front in the small shop

new yorker rye from the hot bread kitchen cookbook yahoo - Jan 05 2022

web oct 15 2015 this week s cookbook is the hot bread kitchen cookbook artisanal baking from around the world by jessamyn waldman rodriguez and julia turshen read more about yahoo food s cookbook of the

the hot bread kitchen cookbook artisanal baking from around - Apr 20 2023

web the hot bread kitchen cookbook artisanal baking from around the world rodriguez jessamyn waldman turshen julia 9780804186179 books amazon ca

the hot bread kitchen cookbook artisanal baking from around - Nov 15 2022

web bake authentic multiethnic breads from the new york city bakery with a mission with the hot bread kitchen cookbook yahoo food s cookbook of the year at first glance hot bread kitchen may look like many other bakeries multigrain sandwich loaves sourdough batards baguettes and parker house rolls line the glass case up front in the small shop

the hot bread kitchen cookbook artisanal baking from around - May 09 2022

web primordial bread unleavened flatbreads slightly elevated leavened flatbreads masa y mas tortillas and more the dark crusty loaf lean breads and rolls challah and beyond enriched breads rolls and buns filled doughs from around the world short and sweet quick breads and holiday breads waste not what to do with leftover

the hot bread kitchen cookbook artisanal baking from a - Jul 23 2023

web 294 ratings54 reviews yahoo food s cookbook of the year authentic multiethnic breads from the new york city bakery

with a mission at first glance hot bread kitchen may look like many other bakeries

the hot bread kitchen cookbook penguin random house - Sep 13 2022

web about the hot bread kitchen cookbook bake authentic multiethnic breads from the new york city bakery with a mission with the hot bread kitchen cookbook yahoo food s cookbook of the year at first glance hot bread kitchen may

awaken the giant within robbins tony amazon com au books - Sep 06 2022

web awaken the giant within how to take immediate control of your mental emotional physical and financial life it was a movement of transformation of taking immediate massive action toward your goals of mastering your health emotions and finances and of creating and growing the ultimate relationship

awaken the giant within how to take immediate control of - Jan 30 2022

web awaken the giant within how to take immediate control of your mental emotional physical and financial life robbins anthony amazon de bücher bücher business karriere job karriere neu 10 79 preisangaben inkl ust abhängig von der lieferadresse kann die ust an der kasse variieren weitere informationen

awaken the giant within how to take immediate control of - Jun 15 2023

web or are you being swept away by things that are seemingly out of your control in awaken the giant within anthony robbins the bestselling author of unlimited power shows the reader how to take immediate control of their mental emotional physical and financial destiny

awaken the giant within how to take immediate control of your - Jun 03 2022

web awaken the giant within how to take immediate control of your mental emotional physical and financial debts amazon com tr kitap

awaken the giant within amazon com au - Apr 01 2022

web awaken the giant within how to take immediate control of your mental emotional physical and fina how to take immediate control of your mental emotional physical financial destiny robbins tony amazon com au books

awaken the giant within how to take immediate control of your - Mar 12 2023

web awaken the giant within how to take immediate control of your mental emotional physical and financial robbins tony 8601417008300 books amazon ca

awaken the giant within how to take immediate control of your - Nov 08 2022

web awaken the giant within how to take immediate control of your mental physical and emotional self anthony robbins amazon com tr kitap

awaken the giant within amazon com - Jul 04 2022

web now in this revolutionary new audio production based on his enormously popular date with destiny seminars robbins

unleashes the sleeping giant that lies within all of us teaching us to harness our untapped abilities talents and skills
[tony robbins re awaken the giant within](#) - Feb 28 2022

web to celebrate over two decades of radical transformation we ve compiled the best insights from awaken the giant within including how to crush your obstacles how to use your personal values to achieve what you desire most and how to use pain and pleasure to shape your destiny into this special gift edition re awaken the giant within

awaken the giant within robbins anthony - Jan 10 2023

web in awaken the giant within anthony robbins the bestselling author of unlimited power shows the reader how to take immediate control of their mental emotional physical and financial destiny further praise for tony robbins a fascinating intriguing presentation of cutting edge findings and insights including the growing consciousness

[awaken the giant within how to take immediate control of your](#) - Feb 11 2023

web nov 1 2007 awaken the giant within how to take immediate control of your mental emotional physical and financial kindle edition by robbins tony download it once and read it on your kindle device pc phones or tablets

loading interface goodreads - Dec 09 2022

web awaken the giant within how to take immediate control of your mental emotional physical and financial destiny tony robbins anthony robbins frederick l covan

awaken the giant within amazon com - Jul 16 2023

web nov 1 1992 awaken the giant within how to take immediate control of your mental emotional physical and financial destiny robbins tony on amazon com free shipping on qualifying offers robbins tony 8601417008300 amazon com books

awaken the giant within tony robbins pdf google drive - Apr 13 2023

web view details request a review learn more

[awaken the giant within book by tony robbins official](#) - Aug 17 2023

web awaken the giant within by tony robbins wake up and take control of your life from the bestselling author of inner strength unlimited power and money ma awaken the giant within book by tony robbins official publisher page simon schuster

[awaken the giant within how to take immediate control of your](#) - Oct 07 2022

web awaken the giant within how to take immediate control of your mental emotional physical financial destiny robbins tony amazon in books

awaken the giant within apk for android download - Dec 29 2021

web sep 21 2021 awaken the giant within screenshots old versions of awaken the giant within awaken the giant within 3 3 9 1 mb sep 21 2021 download awaken the giant within 3 1 8 4 mb apr 29 2021 download awaken the giant within 2 8 6 1 mb mar 7 2021 download all versions awaken the giant within alternative ted 9 7

awaken the giant within by anthony robbins sam thomas - May 14 2023

web awaken the giant within summary any time you sincerely want to make a change the first thing you must do is to raise your standards and believe you can meet them we must change our belief system and develop a sense of certainty that we can and will meet the new standards before we actually do

awaken the giant within summary four minute books - May 02 2022

web jul 29 2022 1 sentence summary awaken the giant within is the psychological blueprint you can follow to wake up and start taking control of your life starting in your mind spreading through your body and then all the way through your relationships work and finances until you re the giant you were always meant to be read in 4 minutes

awaken the giant within robbins tony amazon com tr kitap - Aug 05 2022

web arama yapmak istediğiniz kategoriye seçin