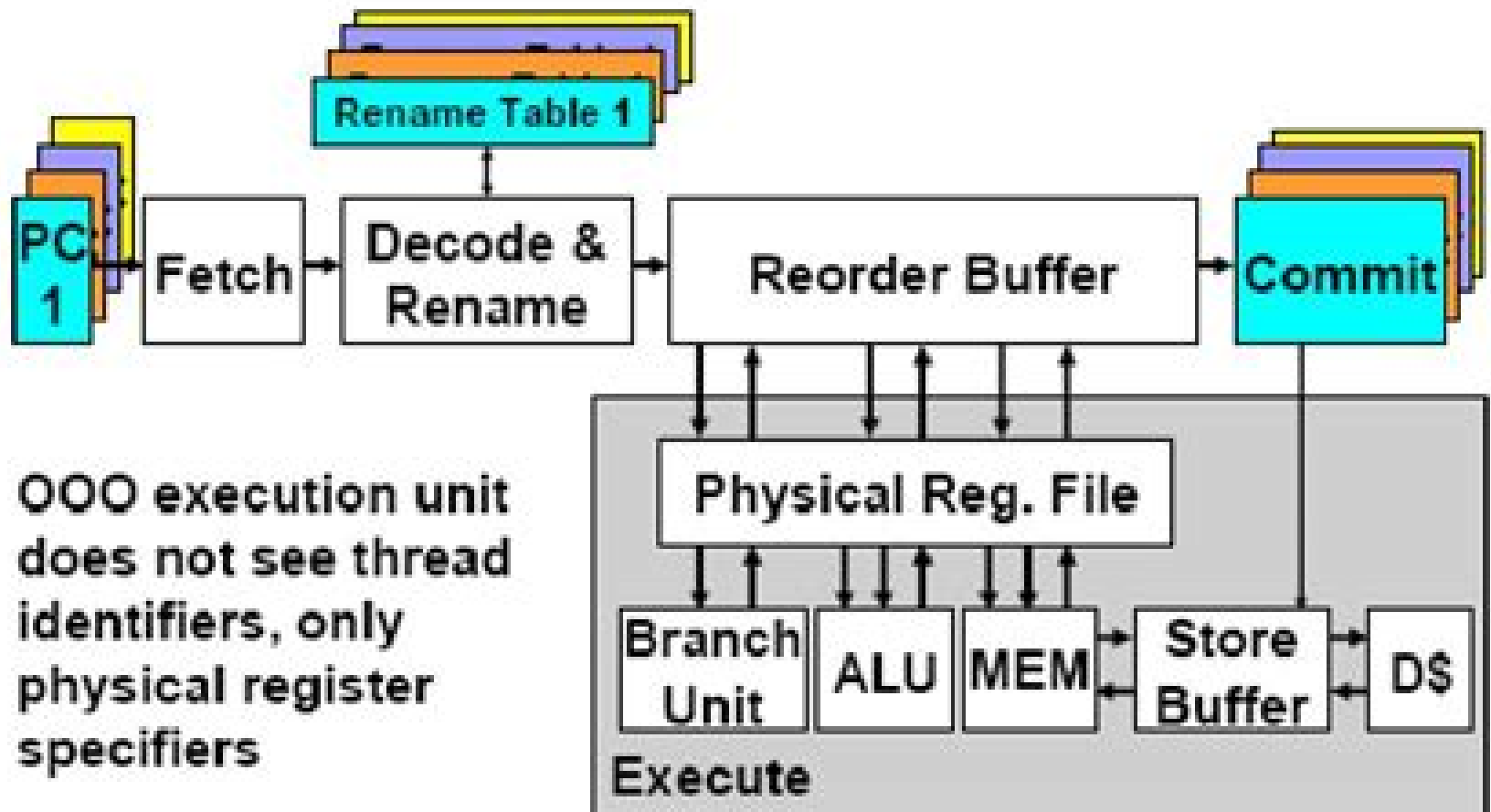


# Simultaneous Multithreaded Processor



# Multithreaded Processor Design

**Anthony S. Fauci**



## **Multithreaded Processor Design:**

Thank you for downloading **Multithreaded Processor Design**. As you may know, people have search numerous times for their chosen books like this Multithreaded Processor Design, but end up in malicious downloads. Rather than enjoying a good book with a cup of coffee in the afternoon, instead they are facing with some infectious bugs inside their laptop.

Multithreaded Processor Design is available in our book collection an online access to it is set as public so you can download it instantly.

Our books collection spans in multiple countries, allowing you to get the most less latency time to download any of our books like this one.

Merely said, the Multithreaded Processor Design is universally compatible with any devices to read

<https://www.staging.gilderlehrman.org/files/book-search/Documents/Organizing%20Health%20Services%20For%20Homeless%20People%20A%20Practical%20Guide.pdf>

## **Table of Contents Multithreaded Processor Design**

1. Understanding the eBook Multithreaded Processor Design
  - The Rise of Digital Reading Multithreaded Processor Design
  - Advantages of eBooks Over Traditional Books
2. Identifying Multithreaded Processor Design
  - Exploring Different Genres
  - Considering Fiction vs. Non-Fiction
  - Determining Your Reading Goals
3. Choosing the Right eBook Platform
  - Popular eBook Platforms
  - Features to Look for in an Multithreaded Processor Design
  - User-Friendly Interface
4. Exploring eBook Recommendations from Multithreaded Processor Design

- Personalized Recommendations
- Multithreaded Processor Design User Reviews and Ratings
- Multithreaded Processor Design and Bestseller Lists
- 5. Accessing Multithreaded Processor Design Free and Paid eBooks
  - Multithreaded Processor Design Public Domain eBooks
  - Multithreaded Processor Design eBook Subscription Services
  - Multithreaded Processor Design Budget-Friendly Options
- 6. Navigating Multithreaded Processor Design eBook Formats
  - ePub, PDF, MOBI, and More
  - Multithreaded Processor Design Compatibility with Devices
  - Multithreaded Processor Design Enhanced eBook Features
- 7. Enhancing Your Reading Experience
  - Adjustable Fonts and Text Sizes of Multithreaded Processor Design
  - Highlighting and Note-Taking Multithreaded Processor Design
  - Interactive Elements Multithreaded Processor Design
- 8. Staying Engaged with Multithreaded Processor Design
  - Joining Online Reading Communities
  - Participating in Virtual Book Clubs
  - Following Authors and Publishers Multithreaded Processor Design
- 9. Balancing eBooks and Physical Books Multithreaded Processor Design
  - Benefits of a Digital Library
  - Creating a Diverse Reading Collection Multithreaded Processor Design
- 10. Overcoming Reading Challenges
  - Dealing with Digital Eye Strain
  - Minimizing Distractions
  - Managing Screen Time
- 11. Cultivating a Reading Routine Multithreaded Processor Design
  - Setting Reading Goals Multithreaded Processor Design
  - Carving Out Dedicated Reading Time
- 12. Sourcing Reliable Information of Multithreaded Processor Design

- Fact-Checking eBook Content of Multithreaded Processor Design
  - Distinguishing Credible Sources
13. Promoting Lifelong Learning
- Utilizing eBooks for Skill Development
  - Exploring Educational eBooks
14. Embracing eBook Trends
- Integration of Multimedia Elements
  - Interactive and Gamified eBooks

### **Multithreaded Processor Design Introduction**

In today's digital age, the availability of Multithreaded Processor Design books and manuals for download has revolutionized the way we access information. Gone are the days of physically flipping through pages and carrying heavy textbooks or manuals. With just a few clicks, we can now access a wealth of knowledge from the comfort of our own homes or on the go. This article will explore the advantages of Multithreaded Processor Design books and manuals for download, along with some popular platforms that offer these resources. One of the significant advantages of Multithreaded Processor Design books and manuals for download is the cost-saving aspect. Traditional books and manuals can be costly, especially if you need to purchase several of them for educational or professional purposes. By accessing Multithreaded Processor Design versions, you eliminate the need to spend money on physical copies. This not only saves you money but also reduces the environmental impact associated with book production and transportation. Furthermore, Multithreaded Processor Design books and manuals for download are incredibly convenient. With just a computer or smartphone and an internet connection, you can access a vast library of resources on any subject imaginable. Whether you're a student looking for textbooks, a professional seeking industry-specific manuals, or someone interested in self-improvement, these digital resources provide an efficient and accessible means of acquiring knowledge. Moreover, PDF books and manuals offer a range of benefits compared to other digital formats. PDF files are designed to retain their formatting regardless of the device used to open them. This ensures that the content appears exactly as intended by the author, with no loss of formatting or missing graphics. Additionally, PDF files can be easily annotated, bookmarked, and searched for specific terms, making them highly practical for studying or referencing. When it comes to accessing Multithreaded Processor Design books and manuals, several platforms offer an extensive collection of resources. One such platform is Project Gutenberg, a nonprofit organization that provides over 60,000 free eBooks. These books are primarily in the public domain, meaning they can be freely distributed and downloaded. Project Gutenberg offers a wide range of classic literature, making it an excellent resource for literature enthusiasts. Another

popular platform for Multithreaded Processor Design books and manuals is Open Library. Open Library is an initiative of the Internet Archive, a non-profit organization dedicated to digitizing cultural artifacts and making them accessible to the public. Open Library hosts millions of books, including both public domain works and contemporary titles. It also allows users to borrow digital copies of certain books for a limited period, similar to a library lending system. Additionally, many universities and educational institutions have their own digital libraries that provide free access to PDF books and manuals. These libraries often offer academic texts, research papers, and technical manuals, making them invaluable resources for students and researchers. Some notable examples include MIT OpenCourseWare, which offers free access to course materials from the Massachusetts Institute of Technology, and the Digital Public Library of America, which provides a vast collection of digitized books and historical documents. In conclusion, Multithreaded Processor Design books and manuals for download have transformed the way we access information. They provide a cost-effective and convenient means of acquiring knowledge, offering the ability to access a vast library of resources at our fingertips. With platforms like Project Gutenberg, Open Library, and various digital libraries offered by educational institutions, we have access to an ever-expanding collection of books and manuals. Whether for educational, professional, or personal purposes, these digital resources serve as valuable tools for continuous learning and self-improvement. So why not take advantage of the vast world of Multithreaded Processor Design books and manuals for download and embark on your journey of knowledge?

### **FAQs About Multithreaded Processor Design Books**

How do I know which eBook platform is the best for me? Finding the best eBook platform depends on your reading preferences and device compatibility. Research different platforms, read user reviews, and explore their features before making a choice. Are free eBooks of good quality? Yes, many reputable platforms offer high-quality free eBooks, including classics and public domain works. However, make sure to verify the source to ensure the eBook credibility. Can I read eBooks without an eReader? Absolutely! Most eBook platforms offer web-based readers or mobile apps that allow you to read eBooks on your computer, tablet, or smartphone. How do I avoid digital eye strain while reading eBooks? To prevent digital eye strain, take regular breaks, adjust the font size and background color, and ensure proper lighting while reading eBooks. What the advantage of interactive eBooks? Interactive eBooks incorporate multimedia elements, quizzes, and activities, enhancing the reader engagement and providing a more immersive learning experience. Multithreaded Processor Design is one of the best book in our library for free trial. We provide copy of Multithreaded Processor Design in digital format, so the resources that you find are reliable. There are also many Ebooks of related with Multithreaded Processor Design. Where to download Multithreaded Processor Design online for free? Are you looking for Multithreaded Processor Design PDF? This is

definitely going to save you time and cash in something you should think about.

**Find Multithreaded Processor Design :**

organizing health services for homeless people a practical guide

*origin and evolution of biological energy conversion*

*orinoco flow*

~~orientation to college a reader~~

**ortografia espanola ii signos de puntuacion**

organizational change and gender equity international perspectives on fathers and mothers at the workplace

*origins of love and hate*

**organizing parent groups**

**organizational behavior/test bank**

organized labor and the black worker 1619-1981

~~orphan of mars~~

origami step by step

*organizational behavior and management with powerweb*

origami extravaganza

*orthopaedics for nurses*

**Multithreaded Processor Design :**

*theory of elasticity two marks pdf uniport edu - Jul 26 2022*

web theory of elasticity in economics hence originated our conventional and inadequate terminology let us evaluate briefly and summarily the various stages of this

**elasticity theory an overview sciencedirect topics - Nov 29 2022**

web linear elasticity is one of the more successful theories of mathematical physics its pragmatic success in describing the small deformations of many materials is

**elasticity overview examples and factors calculation - Mar 22 2022**

web theory of elasticity two marks 1 theory of elasticity two marks the polysiloxanes a history of the theory of elasticity and of the strength of materials from galilei to the



*elasticity physics wikipedia* - Jun 05 2023

web poisson cauchy and george g stokes showed that the equations of the general theory of elasticity predicted the existence of two types of elastic deformation waves which could

[theory of elasticity paperback 1 july 2017 amazon in](#) - Apr 22 2022

web elasticity is a general measure of the responsiveness of an economic variable in response to a change in another economic variable the three major forms of elasticity are price

**theory of elasticity two marks pdf uniport edu** - Aug 27 2022

web jul 14 2023 you could purchase guide theory of elasticity two marks or get it as soon as feasible you could speedily download this theory of elasticity two marks after getting

**15 elasticity mit mathematics** - Jul 06 2023

when an elastic material is deformed due to an external force it experiences internal resistance to the deformation and restores it to its original state if the external force is no longer applied there are various elastic moduli such as young s modulus the shear modulus and the bulk modulus all of which are measures of the inherent elastic properties of a material as a resistance to deformation under an applied load the various moduli apply to different kinds of deformation

[pdf theory of elasticity 3rd ed semantic scholar](#) - Feb 01 2023

web description a comprehensive textbook covering not only the ordinary theory of the deformation of solids but also some topics not usually found in textbooks on the subject

**theory of elasticity two marks pdf uniport edu** - May 24 2022

web this book provides a comprehensive introduction to the theory of elasticity in a simple form as the subject allows together with a compilation of solutions of special problems

**elasticity definition examples facts britannica** - Aug 07 2023

web let s consider two points very close together if the vector joining them before is  $dx_i$  the vector joining them in the deformed body is  $dx_0 + \pi dx_i + du_i$  this distance between the

**theory of elasticity an overview sciencedirect topics** - Mar 02 2023

web journal of applied mechanics tldr this third edition prepared by norman goodier just before his passing last fall is a much more extensive revision of the basic work and yet

**the linear theory of elasticity springerlink** - Oct 29 2022

web an elastic demand or elastic supply is one in which the elasticity is greater than one indicating a high responsiveness to changes in price an inelastic demand or inelastic

**what is elasticity in finance how does it work with example** - Jan 20 2022

web sep 19 2023 theory of elasticity two marks 1 9 downloaded from uniport edu ng on september 19 2023 by guest theory of elasticity two marks right here we have

**mechanics of solids elasticity stress strain britannica** - May 04 2023

web the classical theory of elasticity by i n sneddon and d s berry with 16 figures 1 introduction the theory of elasticity is concerned with the mechanics of deformable

*theory of elasticity two marks banking finance gov ie* - Feb 18 2022

web jul 5 2022 key takeaways elasticity is an economic measure of how sensitive one economic factor is to changes in another for example changes in supply or demand to

theory of elasticity two marks uniport edu - Dec 19 2021

web sep 9 2023 theory of elasticity two marks is available in our digital library an online access to it is set as public so you can download it instantly our digital library spans in

**theory of elasticity two marks pdf uniport edu** - Nov 17 2021

**theory of elasticity sciencedirect** - Dec 31 2022

web elasticity theory is formulated in terms of many different types of variables that are either specified or sought at spatial points in the body under study some of these variables are

*st5103 theory of elasticity and plasticity 2mark question* - Sep 08 2023

web oct 31 2019 when elasticity is the ability of a body to resist a distorting influence and to return to its original size and shape when that influence or force is removed elasticity

the classical theory of elasticity springer - Apr 03 2023

web theory of elasticity in the theory of elasticity a solid body is considered to be in static equilibrium under the quasi static or gradual action of an external force from laser

**of elasticity in economics1 jstor** - Jun 24 2022

web sep 10 2023 theory of elasticity two marks 2 8 downloaded from uniport edu ng on september 10 2023 by guest civil engineering guide for gate psus disha experts

**theory of elasticity two marks 2023 cyberlab sutd edu sg** - Oct 09 2023

web theory of elasticity two marks mathematical theory of elasticity of quasicrystals and its applications mar 16 2022 this inter disciplinary work covering the continuum mechanics of novel materials condensed matter physics and partial differential equations discusses

**price elasticity of demand and price elasticity of supply khan** - Sep 27 2022

web sep 1 2023 merely said the theory of elasticity two marks is universally compatible taking into consideration any devices to read theory of elasticity stephen timoshenko

*wimax qos simulation with opnet youtube* - Jun 04 2023

web wimax qos simulation with opnet almontaser bellah hussien 73 subscribers 2 9k views 4 years ago design and implementation of quality of service simulation in wimax using opnet modeller with

wimax network modeling opnet course eng tarig nabil - Aug 06 2023

web wimax network modeling opnet course eng tarig nabil network plus 2 28k subscribers subscribe 2 9k views 2 years ago course lectures network plus training center

**opnet based simulation and investigation of wimax network using** - Apr 21 2022

web jul 22 2014 three opnet models developed for investigating the performance of wimax network resides in a small scale network of area 1km x 1km the first scenario consists of 3 base stations and 5 nodes per

pdf opnet based simulation and investigation of wimax - Sep 26 2022

web wimax is an emerging wireless technology which is used for creating multi hop mesh networks offering variable and high data rates qos seamless mobility within a network opnet modeler is a simulation program tool used

**wimax over opnet example forum for electronics** - Mar 21 2022

web feb 1 2012 i am new to opnet i am trying to simulate wimax on opnet could you help me by sending wimax tutorial on opnet my email id is dg03427 yahoo com i appreciate your help hritik

*wimax network simulation using opnet opnet networking* - May 03 2023

web wimax network simulation using opnet simple by shaker aljassim opnetshare subscribe for more learning videos   
technyengineer blogspot com

opnet wimax archives opnet projects - Feb 17 2022

web tag archive opnet wimax capacity estimation for vehicle to grid frequency regulation services with smart charging mechanism simulator opnet pdf opnet project opnet projects opnet simulation opnet simulator opnet software opnet training opnet tutorial opnet tutorials opnet wiki opnet wimax

*design of wimax network for istanbul universities with opnet* - Mar 01 2023

web mar 14 2020 pdf wimax worldwide interoperability for microwave access is an innovation standard for long separation extend remote systems that incorporate both find read and cite all the research you

*modeling a interworking wimax lan and manet using opnet software* - Aug 26 2022

web nov 1 2013 pdf recent research has been made for the convergence of wimax networks wimaxn and mobile ad hoc systems in order to achieve the manet requirement find read and cite all the research you

**simulation and performance evaluation of wifi and wimax using opnet** - Dec 30 2022

web may 22 2012 abstract wireless fidelity wifi network is based on the ieee 802 11 standard worldwide interoperability for microwave access wimax based on ieee 802 16 is a standard with similar

*configuration of wimax network supporting voip handover using opnet* - Jun 23 2022

web aug 6 2020 worldwide interoperability for microwave access or wimax is considered as a promising technology for providing wireless connectivity this is because it has a large coverage area high speed data

wimax opnet simulation youtube - Sep 07 2023

web apr 20 2016 for more details about wimax opnet simulation visit us opnetprojects com b tech opnet opnetprojects com m tech opnet opnetprojects com ms opnet pro

**opnet tutorial for beginners opnet projects** - Jan 31 2023

web opnet tutorial for beginners ensure an optimum network performance and application analysis based on c with strong gui opnet is a prominent discrete event network based simulator we develop phd thesis in opnet for various background such as computer science information system and electrical engineering

**wimax ağlarda Çoklu ortam trafiklerinin opnet kullanarak** - Apr 02 2023

web opnet programında gerçekleştirilen bir benzetim ile uygun servis sınıflarının kullanılmasının modülasyon yöntemi seçiminin ve kod oranının i çıkarma oranının baarımına etkisi incelenmektedir anahtar kelimeler wimax servis kalitesi baarım analizi opnet performance analysis of multimedia traffics in wimax networks using

**opnet simulator tutorial opnet projects** - Jul 05 2023

web wimax is attractive emerging metropolitan technology for rural and metropolitan area broadband wireless access bwa opnet simulator tutorial is highly efficient and suitable to support a large range of applications for residential and enterprise environments

**wimax ağlarda Çoklu ortam trafiklerinin opnet kullanarak başarıım analizi** - Jul 25 2022

web dec 1 2013 akademik platform mühendislik ve fen bilimleri dergisi en tr

configuration of wimax network supporting voip handover using opnet - Oct 28 2022

web pdf on jan 1 2020 dina m ibrahim published configuration of wimax network supporting voip handover using opnet simulator find read and cite all the research you need on researchgate

*opnet step by step forum for electronics* - May 23 2022

web jan 29 2013 opnet free download hi plz friends can you share opnet step by step tutorial anyone have an idea about how wimax can be simulated using opnet or matlab plz help for those who want to know how to get opnet free educational version im ready thanx best regards

*opnet wimax simulation tutorial youtube* - Oct 08 2023

web aug 16 2016 opnet wimax simulation tutorial phdprojects org 3 85k subscribers subscribe 3 share 596 views 6 years ago contact best phd projects visit us

**enhancement of wimax networks using opnet modeler** - Nov 28 2022

web sep 1 2021 worldwide interoperability microwave access wimax is an 802 16 wireless standard that delivers high speed provides a data rate of 100 mbps and a coverage area of 50 km voice over internet

indian desi moti gand wali aunty xhamster - Sep 19 2022

web mar 20 2023 watch indian desi moti gand wali aunty video on xhamster the greatest hd sex tube site with tons of free indian hindi audio porn movies

👍 - Jan 12 2022

web 👍 25k download full video 0 0 share desi bf aunty bf bhabhi bf desi mms desi porn videos gaand bf sexy video 👍 👍 👍 👍 👍 👍 👍 👍

desi gand sleeping search xnxx com - Feb 10 2022

web results for desi gand sleeping free 3 152 gold 3 152 report mode default period ever length all

**aunty gand search xnxx com** - Jun 28 2023

web kiran aunty ki big gand ka maja lete hui boyfriend in home 107 4k 100 2min 720p

**indian village aunty gaand chudai in desisex xhamster** - Apr 26 2023

web apr 21 2023 watch indian village aunty gaand chudai in desisex video on xhamster the ultimate collection of free anal indians hd hardcore porn tube movies

*free indian gand sex porn videos xhamster* - Aug 31 2023

web desi bhabhi gand chatai gand chudai blowjob indian bhabhi anal fuck ass leaking deepthroat blowjob anal sex deshiangel aunty badi gand xhamster - May 28 2023

web badi gand wali bhabhi ki hairy pussy hard shot chudayi with clear voice of moaning hard housewife homemade sex desi virgin 28 2k views 06 21 desi indian big ass badi gand ruchita bhabhi ka strip erotic nanga dance or fir godi bnakar chudai pura maal uski gand pr nikala ruchita my wife for u

desi gand aunty search xnxx com - Apr 14 2022

web desi aunty big gand i fucked deeply 15 1m 19 3min 360p desislimgirl hot and sexy indian big ass aunty desi porn with audio desislimgirl 486 1k 100 6min 1080p south indian couple big ass fucking 119 5k 99 11min 720p desi step friend for anal 6 4m 98 2min 720p hindi audio indian sex

bhabhi ki salwar khol ke chut or gand dekhi indian bhabhi ass - Feb 22 2023

web jun 27 2023 watch bhabhi ki salwar khol ke chut or gand dekhi indian bhabhi ass hole video on xhamster the ultimate database of free indian hindi audio hd porn tube movies

*desi bhabhi ki chut me ungli daal ke pani nikala xhamster* - Jul 18 2022

web apr 5 2023 watch desi bhabhi ki chut me ungli daal ke pani nikala video on xhamster the ultimate selection of free asian arab hardcore porn tube movies

**soti hui bhabhi ki gand or chut dekhi big ass beautiful bhabhi** - Nov 21 2022

web watch soti hui bhabhi ki gand or chut dekhi big ass beautiful bhabhi video on xhamster the ultimate archive of free asian tamil hd porn tube movies

desi aunty ki sexy gand xhamster - Jan 24 2023

web watch desi aunty ki sexy gand video on xhamster the largest hd sex tube site with tons of free indian mature milf porn movies

sexy desi aunty taking lund in her gaand anal sex video - May 16 2022

web desi indian aunty fucked in her asshole by her husband s friend she is n affair with this guy and he often fucks her when her husband in not at home today this guy banged aunty s tight asshole and also left his cock juices deep inside it

**desi gand aunty search xnxx com** - Aug 19 2022

web desi aunty big gand i fucked deeply 15 1m 19 3min 360p south indian couple big ass fucking 118 9k 99 11min 720p desi hot2 me and my hubby 28 6k 99 5min 1080p desi step friend for anal 6 4m 98 2min 720p desi aunty ki gaand dekho signup at desifilms xyz to meet her 1 2m 100 48sec 1080p desi hot couple1

**desi aunty gand mall xhamster** - Dec 23 2022

web desi aunty gand mall explore tons of xxx videos with sex scenes in 2023 on xhamster

**desi gand aunty chudai search xnxx com** - Oct 21 2022

web soteli bahan ko bhai ne kapde silai krne ke bahane chod dala indian xxx step bro sex with step sis in hindi hindi roleplay sex homemade sex in hindi 679 2k 99 9min 1080p hot bhabhi dance with big ass moti gand hot dance india 966 9k 96 1min 18sec 720p madhuri dixit raperandi chud gayidekhne ke liye signup kre at free desifilms xyz

**indian village aunty ki gaand chudai in desisex xhamster** - Mar 26 2023

web apr 19 2023 watch indian village aunty ki gaand chudai in desisex video on xhamster the ultimate collection of free real homemade anal hd porn tube movies

aunty ki gand dekhi videos mypornvid fun - Mar 14 2022

web aunty s gand ready for a injection 16 seconds 22 9k

**indian village aunty gaand chudai in desisex xhamster** - Jul 30 2023

web apr 21 2023 indian village aunty gaand chudai in desisex 38 106 96 indianxmitra subscribe 7 8k indian 18 year old 69 amateur anal

**desi moti gaand aunty search xnxx com** - Jun 16 2022

web desislingirl indian malkin driver ka kala lund dekh kr chudne ke liya tadpane lagi hungry woman fucked young bigcock driver 512 3k 99 6min 1080p bhabhi ki gaand me mera louda diya 783 4k 96 30sec 360p punjabi bhabie big gaand 2 659 5k 96 1min 37sec