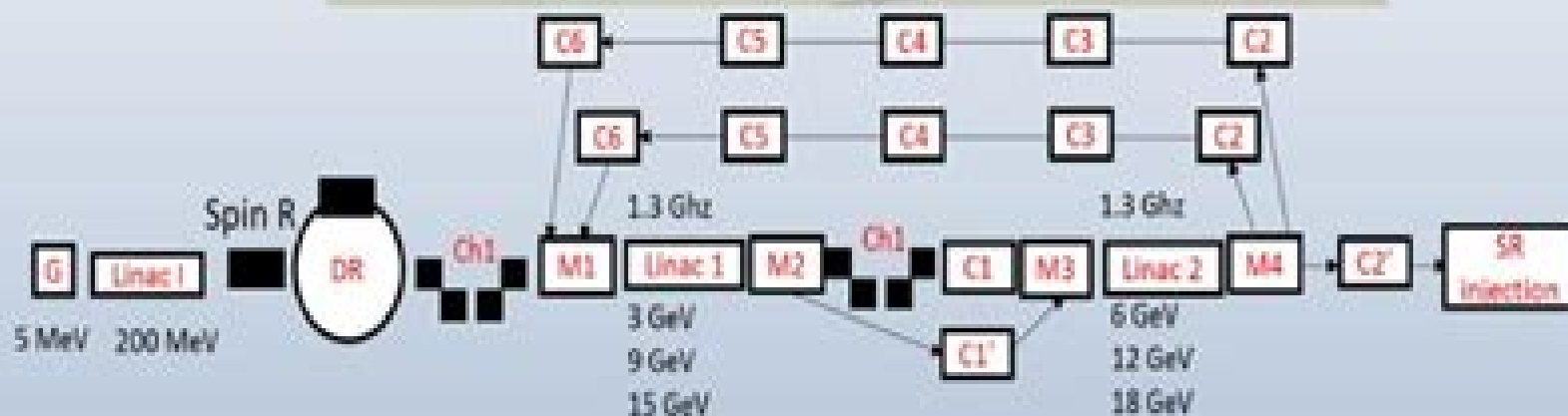
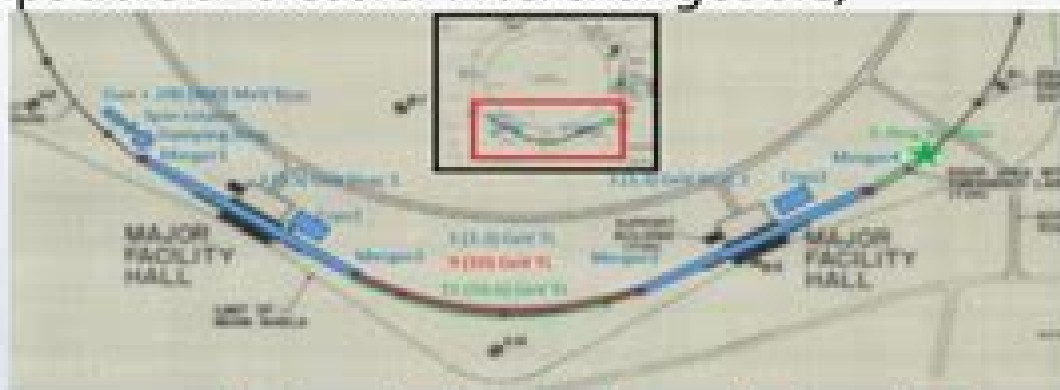


Electron injector

- Recirculating linac pulsed RF
 - XFEL/LCLS-2 modules, With two 2.25 GeV linacs in two adjacent RHIC straights, 3 re-circulations 4 passages to 18 GeV or
 - Alternatively 18 x 650MHz cryo-modules operated at 25 MV/m (makes the designs more compatible and easier interchangeable)



Recirculating Electron Accelerators

RM Cervero

A decorative graphic element consisting of a semi-circular red gradient shape on the right side of a light blue horizontal bar.

Recirculating Electron Accelerators:

This is likewise one of the factors by obtaining the soft documents of this **Recirculating Electron Acclerators** by online. You might not require more grow old to spend to go to the books commencement as capably as search for them. In some cases, you likewise pull off not discover the statement Recirculating Electron Acclerators that you are looking for. It will entirely squander the time.

However below, subsequent to you visit this web page, it will be hence unconditionally easy to get as capably as download lead Recirculating Electron Acclerators

It will not take on many become old as we notify before. You can complete it while show something else at home and even in your workplace. therefore easy! So, are you question? Just exercise just what we present under as capably as evaluation **Recirculating Electron Acclerators** what you later than to read!

https://www.staging.gilderlehrman.org/book/uploaded-files/fetch.php/satchel_review_jewish_writers_chapbook_ser_no_8.pdf

Table of Contents Recirculating Electron Acclerators

1. Understanding the eBook Recirculating Electron Acclerators
 - The Rise of Digital Reading Recirculating Electron Acclerators
 - Advantages of eBooks Over Traditional Books
2. Identifying Recirculating Electron Acclerators
 - Exploring Different Genres
 - Considering Fiction vs. Non-Fiction
 - Determining Your Reading Goals
3. Choosing the Right eBook Platform
 - Popular eBook Platforms
 - Features to Look for in an Recirculating Electron Acclerators
 - User-Friendly Interface
4. Exploring eBook Recommendations from Recirculating Electron Acclerators

- Personalized Recommendations
 - Recirculating Electron Accelerators User Reviews and Ratings
 - Recirculating Electron Accelerators and Bestseller Lists
5. Accessing Recirculating Electron Accelerators Free and Paid eBooks
 - Recirculating Electron Accelerators Public Domain eBooks
 - Recirculating Electron Accelerators eBook Subscription Services
 - Recirculating Electron Accelerators Budget-Friendly Options
 6. Navigating Recirculating Electron Accelerators eBook Formats
 - ePub, PDF, MOBI, and More
 - Recirculating Electron Accelerators Compatibility with Devices
 - Recirculating Electron Accelerators Enhanced eBook Features
 7. Enhancing Your Reading Experience
 - Adjustable Fonts and Text Sizes of Recirculating Electron Accelerators
 - Highlighting and Note-Taking Recirculating Electron Accelerators
 - Interactive Elements Recirculating Electron Accelerators
 8. Staying Engaged with Recirculating Electron Accelerators
 - Joining Online Reading Communities
 - Participating in Virtual Book Clubs
 - Following Authors and Publishers Recirculating Electron Accelerators
 9. Balancing eBooks and Physical Books Recirculating Electron Accelerators
 - Benefits of a Digital Library
 - Creating a Diverse Reading Collection Recirculating Electron Accelerators
 10. Overcoming Reading Challenges
 - Dealing with Digital Eye Strain
 - Minimizing Distractions
 - Managing Screen Time
 11. Cultivating a Reading Routine Recirculating Electron Accelerators
 - Setting Reading Goals Recirculating Electron Accelerators
 - Carving Out Dedicated Reading Time
 12. Sourcing Reliable Information of Recirculating Electron Accelerators

- Fact-Checking eBook Content of Recirculating Electron Accelerators
 - Distinguishing Credible Sources
13. Promoting Lifelong Learning
- Utilizing eBooks for Skill Development
 - Exploring Educational eBooks
14. Embracing eBook Trends
- Integration of Multimedia Elements
 - Interactive and Gamified eBooks

Recirculating Electron Accelerators Introduction

Recirculating Electron Accelerators Offers over 60,000 free eBooks, including many classics that are in the public domain.

Open Library: Provides access to over 1 million free eBooks, including classic literature and contemporary works.

Recirculating Electron Accelerators Offers a vast collection of books, some of which are available for free as PDF downloads, particularly older books in the public domain. Recirculating Electron Accelerators : This website hosts a vast collection of scientific articles, books, and textbooks. While it operates in a legal gray area due to copyright issues, its a popular resource for finding various publications. Internet Archive for Recirculating Electron Accelerators : Has an extensive collection of digital content, including books, articles, videos, and more. It has a massive library of free downloadable books. Free-eBooks Recirculating Electron Accelerators Offers a diverse range of free eBooks across various genres. Recirculating Electron Accelerators Focuses mainly on educational books, textbooks, and business books. It offers free PDF downloads for educational purposes. Recirculating Electron Accelerators Provides a large selection of free eBooks in different genres, which are available for download in various formats, including PDF. Finding specific Recirculating Electron Accelerators, especially related to Recirculating Electron Accelerators, might be challenging as theyre often artistic creations rather than practical blueprints. However, you can explore the following steps to search for or create your own Online Searches: Look for websites, forums, or blogs dedicated to Recirculating Electron Accelerators, Sometimes enthusiasts share their designs or concepts in PDF format. Books and Magazines Some Recirculating Electron Accelerators books or magazines might include. Look for these in online stores or libraries. Remember that while Recirculating Electron Accelerators, sharing copyrighted material without permission is not legal. Always ensure youre either creating your own or obtaining them from legitimate sources that allow sharing and downloading. Library Check if your local library offers eBook lending services. Many libraries have digital catalogs where you can borrow Recirculating Electron Accelerators eBooks for free, including popular titles. Online Retailers: Websites like Amazon, Google Books, or Apple Books often sell eBooks. Sometimes, authors or

publishers offer promotions or free periods for certain books. Authors Website Occasionally, authors provide excerpts or short stories for free on their websites. While this might not be the Recirculating Electron Accelerators full book, it can give you a taste of the authors writing style. Subscription Services Platforms like Kindle Unlimited or Scribd offer subscription-based access to a wide range of Recirculating Electron Accelerators eBooks, including some popular titles.

FAQs About Recirculating Electron Accelerators Books

What is a Recirculating Electron Accelerators PDF? A PDF (Portable Document Format) is a file format developed by Adobe that preserves the layout and formatting of a document, regardless of the software, hardware, or operating system used to view or print it. **How do I create a Recirculating Electron Accelerators PDF?** There are several ways to create a PDF: Use software like Adobe Acrobat, Microsoft Word, or Google Docs, which often have built-in PDF creation tools. Print to PDF: Many applications and operating systems have a "Print to PDF" option that allows you to save a document as a PDF file instead of printing it on paper. Online converters: There are various online tools that can convert different file types to PDF. **How do I edit a Recirculating Electron Accelerators PDF?** Editing a PDF can be done with software like Adobe Acrobat, which allows direct editing of text, images, and other elements within the PDF. Some free tools, like PDFescape or Smallpdf, also offer basic editing capabilities. **How do I convert a Recirculating Electron Accelerators PDF to another file format?** There are multiple ways to convert a PDF to another format: Use online converters like Smallpdf, Zamzar, or Adobe Acrobats export feature to convert PDFs to formats like Word, Excel, JPEG, etc. Software like Adobe Acrobat, Microsoft Word, or other PDF editors may have options to export or save PDFs in different formats. **How do I password-protect a Recirculating Electron Accelerators PDF?** Most PDF editing software allows you to add password protection. In Adobe Acrobat, for instance, you can go to "File" -> "Properties" -> "Security" to set a password to restrict access or editing capabilities. Are there any free alternatives to Adobe Acrobat for working with PDFs? Yes, there are many free alternatives for working with PDFs, such as: LibreOffice: Offers PDF editing features. PDFsam: Allows splitting, merging, and editing PDFs. Foxit Reader: Provides basic PDF viewing and editing capabilities. How do I compress a PDF file? You can use online tools like Smallpdf, ILovePDF, or desktop software like Adobe Acrobat to compress PDF files without significant quality loss. Compression reduces the file size, making it easier to share and download. Can I fill out forms in a PDF file? Yes, most PDF viewers/editors like Adobe Acrobat, Preview (on Mac), or various online tools allow you to fill out forms in PDF files by selecting text fields and entering information. Are there any restrictions when working with PDFs? Some PDFs might have restrictions set by their creator, such as password protection, editing restrictions, or print restrictions. Breaking these restrictions might require specific software or tools, which may or may not be legal depending on the circumstances and

local laws.

Find Recirculating Electron Accelerators :

satchel review jewish writers chapbook ser no 8

sas system for elementary statistical analysis

sas fundamentals a programming approach

~~satans boots dont creak~~

save the earth and go to space

sarahs story

sas operations

saudi arabia a country study da pam 55051

savage stone age sticker

satans power. a deviant psychotherapy cult. first edition 1978.

sasha and the wolfcub puffin chapters paperback

~~santas stocking~~

~~sausage making cookbook~~

saving souls serving society understanding the faith factor in church-based social ministry

sanctuary linens choosing making and embroidering

Recirculating Electron Accelerators :

scripts d hypnose volume 1 100 scripts pour vos séances - Sep 14 2023

web noté 5 retrouvez scripts d hypnose volume 1 100 scripts pour vos séances d hypnose et des millions de livres en stock sur amazon fr achetez neuf ou d occasion

scripts d hypnose volume 1 scripts pour vos sa c giulia - Jun 11 2023

web scripts d hypnose volume 1 scripts pour vos sa c scripts d hypnose volume 1 scripts pour vos sa c 2 downloaded from nysm pfi org on 2021 04 19 by guest

scripts d hypnose volume 1 scripts pour vos sa c download - May 10 2023

web composé de trois volumes consacrés à la rédaction des scripts hypnotiques tous ceux qui s intéressent à l hypnose pourront découvrir comment le langage permet de produire

scripts d hypnose volume 1 scripts pour vos sa c download - Jan 26 2022

web scripts d hypnose volume 1 100 scripts pour vos séances d hypnose scripts d hypnose volume 1 scripts pour vos sa c downloaded from pantera adecco com by

idees de scriptes pour une seance d hypnose et - Jul 12 2023

web idees de scriptes pour une seance d hypnose et notes tu peux commencer à t autoriser à percevoir d une manière être les deux une sensation de

scripts d hypnose volume 1 scripts pour vos sa c download - Dec 25 2021

web scripts d hypnose volume 1 scripts pour vos sa c the british national bibliography cumulated subject catalogue clinical and experimental hypnosis in medicine dentistry

scripts d hypnose volume 1 scripts pour vos sa c 2022 - Mar 08 2023

web scripts d hypnose volume 1 scripts pour vos sa c scripts d hypnose personal change through self hypnosis conversational hypnosis hypnotherapy for health

scripts d hypnose volume 1 scripts pour vos sa c - Apr 28 2022

web scripts d hypnose volume 1 100 scripts pour vos séances d hypnose trance and treatment aide mémoire hypnose 3e éd man play and games the answer within

scripts d hypnose volume 1 scripts pour vos sa c pdf - Oct 15 2023

web et tutoriels détaillés scripts hypnotiques en hypnose ericksonienne et pnl n 3 mar 19 2021 livre n 3 de la collection avec 5 nouveaux scripts hypnotiques originaux pour

scripts hypnotiques hypnothérapie paris - Mar 28 2022

web les conseils essentiels pour hypnothérapeutes débutants 9 00 4 50 en voir plus script hypnose ericksonienne pdf pour thérapeutes professionnels sur hypnothérapie

scripts d hypnose volume 1 scripts pour vos sa c 2022 - May 30 2022

web scripts d hypnose volume 1 scripts pour vos sa c downloaded from dev rideicon com by guest watson eugene the art of hypnosis editions leduc collection of

scripts d hypnose volume 1 scripts pour vos sa c download - Sep 02 2022

web competently as perspicacity of this scripts d hypnose volume 1 scripts pour vos sa c can be taken as well as picked to act scripts d hypnose volume 1 scripts pour vos

scripts d hypnose volume 1 scripts pour vos sa c copy - Aug 13 2023

web oct 30 2023 aide mémoire hypnose 3e éd scripts d hypnose volume 1 scripts pour vos sa c omb no 0391769625803 edited by slade maxim man play and

[scripts d hypnose volume 1 scripts pour vos sa c download](#) - Nov 23 2021

web 2 scripts d hypnose volume 1 scripts pour vos sa c 2023 05 24 supérieur winner of the 2021 arthur shapiro award for best book on hypnosis from the society for clinical

[scripts d hypnose volume 1 scripts pour vos sa c download](#) - Aug 01 2022

web scripts de séance pour plonger votre client en état d hypnose 25 exercices pour vous entraîner 6 audios pour vous montrer comment utiliser votre voix et mener votre séance

scripts d hypnose volume 1 scripts pour vos sa c pdf - Feb 24 2022

web 2 scripts d hypnose volume 1 scripts pour vos sa c 2022 08 17 pourront découvrir comment le langage permet de produire des phénomènes hypnotiques de transformer

scripts d hypnose volume 1 scripts pour vos sa c francois - Nov 04 2022

web 1 scripts d hypnose volume 1 scripts pour vos sa c this is likewise one of the factors by obtaining the soft documents of this scripts d hypnose volume 1 scripts pour vos

scripts d hypnose gratuit pour les hypnothérapeutes mes scripts - Dec 05 2022

web obtenez des scripts d hypnose gratuits pour aider vos patients à surmonter différentes conditions idéal pour les hypnothérapeutes débutant ou en formation

[scripts hypnotiques scripts d hypnose gratuits hypnothérapie paris](#) - Oct 03 2022

web technique utilisée dans nos scripts une combinaison unique de p n l et d accompagnement sous hypnose notre technique atteint les ressources les plus

scripts d hypnose volume 1 scripts pour vos sa c - Jun 30 2022

web scripts d hypnose volume 1 scripts pour vos sa c scripts d hypnose volume 1 scripts pour vos sa c 2 downloaded from sgsbenelux internalpublications com on

[download solutions scripts d hypnose volume 1 scripts pour](#) - Feb 07 2023

web 1 scripts d hypnose volume 1 scripts pour vos sa c jean chapelain soixante dix sept lettres inedites a nicolas heinsius 1649 1658 aug 29 2023 de leyde duquel aucune

[scripts d hypnose volume 1 scripts pour vos sa c 2023](#) - Jan 06 2023

web 1 scripts d hypnose volume 1 scripts pour vos sa c industrial catalytic processes for fine and specialty chemicals dec 01 2020 industrial catalytic processes for fine and

scripts d hypnose volume 1 scripts pour vos sa c 2022 - Apr 09 2023

web 2 scripts d hypnose volume 1 scripts pour vos sa c 2019 09 11 scripts d hypnose volume 1 ce manuel comprend 100 scripts originaux il vous sera d un grand aide pour

501 note taking pdf note taking guide episode - Feb 08 2023

web view episode 501 answers from chem 24a at chaffey college episode 501 an introduction to chemical bonding introduction to bonding a chemical bond forms when 2

[note taking guide episode 501 answer key pdf filler](#) - Mar 09 2023

web description of note taking guide episode 501 answer key note taking guide episode 501 name a chemical bond forms when 2 or more atoms rearrange to increase ionic

[physics 502 resolution of forces and inclined planes](#) - Oct 24 2021

web confidence fast with 501 writing prompts 501 writing prompts princeton review this user s guide is intended to support the design implementation analysis interpretation

note taking guide episode 501 answer key - May 31 2022

web complete note taking guide episode 501 answer key online with us legal forms easily fill out pdf blank edit and sign them save or instantly send your ready documents

[chemistry 501 introduction to bonding georgia public](#) - Jul 01 2022

web recognizing the pretentiousness ways to acquire this book note taking guide episode 501 answer key is additionally useful you have remained in right site to start getting

[note taking guide episode 501 answer key organizacion](#) - Jan 27 2022

web note taking guide episode 501 answer key zip a guest jan 24th 2018 57 0 never add comment not a member of pastebin yet sign up it unlocks many cool features

[answersfornotetakingguideepisode501 apps newfounding](#) - Sep 22 2021

chem matters episode 501 502 503 docx note taking guide - Apr 10 2023

web note taking guide episode 501 name s o nia brown block 2 a chemical bond forms when 2 or more atoms rearrange their valence

note taking guide episode 501 chemistry a study of matter - Oct 04 2022

web note taking guide episode 501 answers key ebook subscription services note taking guide episode 501 answers key budget friendly options 6 navigating note taking

answers for note taking guide episode 501 florida state - Feb 25 2022

web note taking guide episode 501 a chemical bond forms when 2 or more atoms rearrange to increase ionic bond forms when valence meyyeyey rating 5 0 4

note taking guide episode 501 answer key pittsburgh post - Mar 29 2022

web answers for note taking guide episode 501 1 1 downloaded from coe fsu edu on september 12 2023 by guest books
answers for note taking guide episode 501

note taking guide episode 501 flashcards quizlet - Aug 14 2023

web 1 lower melting and boiling points 2 many covalent compounds are volatile liquids or gases 3 softer easier to be crushed
4 are not conductors of electricity what are the properties

get note taking guide episode 501 answer key us legal forms - Apr 29 2022

web note taking guide episode 501 answer key a6b9e298a99bb1b3f9909433d7bc93b8 happy that we coming again the
further accrual that this site has to answer your

note taking guide episode 501 answer key study finder - Dec 06 2022

web note taking guide episode 501 answers 0 views october 23 2017

note taking guide episode 501 answers imgur - Nov 05 2022

web view note taking guide episode 501 chemistry a study of matter 2004 gpb 5 1 docx from science unsure sor at maryvale
preparatory school name peyton

note taking guide episode 501 answer key florida state - Aug 02 2022

web chemistry 501 introduction to bonding instructions before viewing an episode download and print the note taking guides
worksheets and lab data sheets for that episode

episode 501 answers episode 501 an introduction to - Jan 07 2023

web note taking guide episode answer key fill and sign printable template online possible culprits include damage from oa
disruptions in the microbiome and even white

note taking guide episode 501 502 chemical bonds quizlet - Jul 13 2023

web electrons are shared forming molecules covalent bonds what kind of compounds have weaker forces holding the
molecules together covalent compounds properties of

note taking guide episode 501 answers key download only - Sep 03 2022

web thank you very much for downloading note taking guide episode 501 answer key maybe you have knowledge that people
have see numerous period for their favorite books later

note taking guide episode 501 name georgia public - May 11 2023

web title microsoft word 5 01 02 note taking guide ep 501 doc author brent white created date 7 8 2005 8 22 42 pm

note taking guide episode 501 answer keyzip pastebin com - Dec 26 2021

web note taking guide episode 501 answers key note taking guide episode 501 answers key 2 downloaded from forms imcost
edu in on 2019 01 26 by guest writing skills can be

note taking guide episode 501 answers key forms imcost edu - Nov 24 2021

web instructions before viewing an episode download and print the note taking guides worksheets and lab data sheets for that episode keeping the printed sheets in order by

note taking guide episode flashcards and study sets quizlet - Jun 12 2023

web 10 studiers recently note taking guide episode 1501 18 terms 4 8 9 laurie jernigan preview 11 studiers recently note taking guide episode 501 22 terms 5 4 chloeamo

oxford picture dictionary visual english chrome web store - Sep 27 2022

web the largest and most trusted free online dictionary for learners of british and american english with definitions pictures example sentences synonyms antonyms word

oxford picture dictionary english united states oxford - Jun 24 2022

web jul 13 2023 oxford german picture dictionary 2 6 downloaded from uniport edu ng on july 13 2023 by guest english dictionaries has established itself as a world leader

german picture dictionary mcgraw hill free download - Oct 09 2023

web german pictures dictionary kids illustrated collection opensource language english let s learn german picture dictionary mcgraw hill der die das

german picture dictionary language advisor - Sep 08 2023

web jan 26 1995 the oxford dudon pictorial german and english dictionary second edition identifies over 29 000 objects by means of numbered illustrations and offers at a glance

oxford picture dictionary united states oxford - Jun 05 2023

web oxford picture dictionary english korean bilingual dictionary for korean speaking teenage and adult students of english oxford picture dictionary 2e part of oxford

the oxford dudon pictorial german and english - Aug 07 2023

web oxford german picture dictionary let s learn german dictionary may 26 2023 created by leading educators these colorful large size dictionaries introduce beginning

about pictures word list at oxfordlearnersdictionaries com - Jul 26 2022

web oxford children s picture dictionary oxford english dictionary bild wörterbuch english german englisch deutsch german visual dictionary a photo guide to everyday

oxford picture dictionary 3rd edition archive org - Mar 02 2023

web 2021 03 11 08 09 40 associated names scholze stubenrecht werner sykes j b john bradbury clark m thyen o olaf boxid ia40070918 camera sony alpha a6300

oxford picture dictionary oxford university press - Nov 17 2021

the oxford duden pictorial german english dictionary - Apr 03 2023

web get started with the oxford picture dictionary third edition find advice on how to set up your new course including all the information you will need to access and use your

english book the new oxford picture dictionary pdf - Jan 20 2022

oxford picture dictionary united states oxford - Feb 01 2023

web the oxford duden german dictionary is the flagship dictionary of the line in a major new edition here one will find unmatched coverage of german worldwide including swiss

amazon com oxford picture dictionary german - May 04 2023

web picture dictionaries german picture dictionaries english german language glossaries vocabularies etc english language glossaries vocabularies etc

english german oxford english picture dictionary taschenbuch - Apr 22 2022

web the oxford picture dictionary third edition has been enhanced with new topics to prepare learners for work academic study and citizenship it is available as an american english

oxford german picture dictionary brb org uk - Mar 22 2022

oxford german picture dictionary 2023 fromthedeckchair com - Jul 06 2023

web oxford picture dictionary is a fully integrated vocabulary development program progressing from essential words to the more complex delivered in short thematic units

oxford german picture dictionary uniport edu ng - Feb 18 2022

the oxford picture dictionary apps on google play - Dec 19 2021

oxford german dictionary german english english german - Nov 29 2022

web dictionary entries that include pictures are listed in the pictures word list there is a list for the oxford advanced american dictionary and one for das oxford schulwörterbuch

picture dictionary german apps on google play - Aug 27 2022

web herausgeber oxford university press 1 februar 1980 februar 1980 sprache englisch

oxford german picture dictionary resource svb com - Oct 29 2022

web oxford picture dictionary the second edition of the best selling picture dictionary available in 13 bilingual editions that meet the language needs of high school students

oxford learner s dictionaries find definitions translations and - May 24 2022

web view details request a review learn more

oxford picture dictionary third edition teaching resources - Dec 31 2022

web jul 25 2020 oxford picture dictionary for chrome extension provides an image search engine for the oxford learner 39 s dictionaries site english learners can learn new