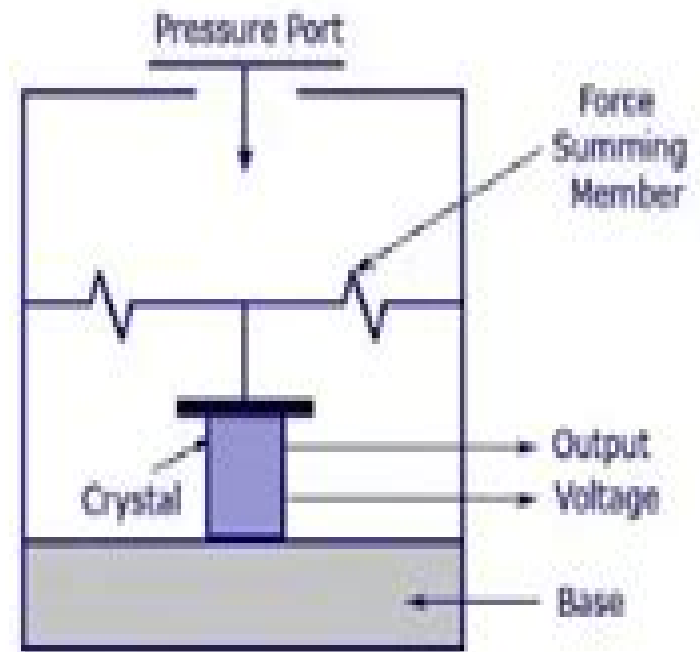
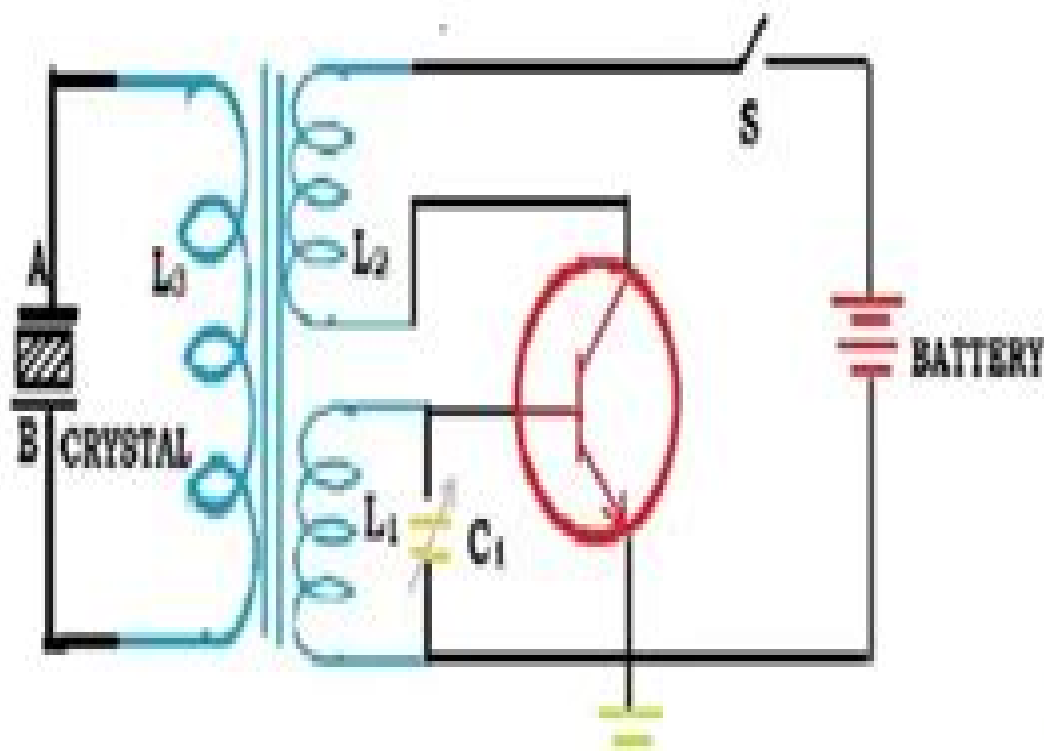


What is a Piezoelectric Transducer?



Piezo-Electric Transducer



Electrical 4 U

Piezoelectric Transducers And Applications

S Nieto

A decorative graphic element consisting of a horizontal light blue bar with a rounded right end, partially overlapping a red circular gradient.

Piezoelectric Transducers And Applications:

Enjoying the Track of Expression: An Emotional Symphony within **Piezoelectric Transducers And Applications**

In a world taken by screens and the ceaseless chatter of immediate transmission, the melodic splendor and emotional symphony created by the published term often fade into the back ground, eclipsed by the persistent sound and disturbances that permeate our lives. But, located within the pages of **Piezoelectric Transducers And Applications** a marvelous fictional prize brimming with natural emotions, lies an immersive symphony waiting to be embraced. Crafted by a wonderful musician of language, this charming masterpiece conducts visitors on a mental journey, well unraveling the hidden tunes and profound impact resonating within each carefully crafted phrase. Within the depths with this touching analysis, we shall examine the book is central harmonies, analyze their enthralling writing type, and surrender ourselves to the profound resonance that echoes in the depths of readers souls.

https://www.staging.gilderlehrman.org/results/browse/Documents/ring_of_thoth_other_tales.pdf

Table of Contents Piezoelectric Transducers And Applications

1. Understanding the eBook Piezoelectric Transducers And Applications
 - The Rise of Digital Reading Piezoelectric Transducers And Applications
 - Advantages of eBooks Over Traditional Books
2. Identifying Piezoelectric Transducers And Applications
 - Exploring Different Genres
 - Considering Fiction vs. Non-Fiction
 - Determining Your Reading Goals
3. Choosing the Right eBook Platform
 - Popular eBook Platforms
 - Features to Look for in an Piezoelectric Transducers And Applications
 - User-Friendly Interface
4. Exploring eBook Recommendations from Piezoelectric Transducers And Applications
 - Personalized Recommendations

- Piezoelectric Transducers And Applications User Reviews and Ratings
- Piezoelectric Transducers And Applications and Bestseller Lists
- 5. Accessing Piezoelectric Transducers And Applications Free and Paid eBooks
 - Piezoelectric Transducers And Applications Public Domain eBooks
 - Piezoelectric Transducers And Applications eBook Subscription Services
 - Piezoelectric Transducers And Applications Budget-Friendly Options
- 6. Navigating Piezoelectric Transducers And Applications eBook Formats
 - ePub, PDF, MOBI, and More
 - Piezoelectric Transducers And Applications Compatibility with Devices
 - Piezoelectric Transducers And Applications Enhanced eBook Features
- 7. Enhancing Your Reading Experience
 - Adjustable Fonts and Text Sizes of Piezoelectric Transducers And Applications
 - Highlighting and Note-Taking Piezoelectric Transducers And Applications
 - Interactive Elements Piezoelectric Transducers And Applications
- 8. Staying Engaged with Piezoelectric Transducers And Applications
 - Joining Online Reading Communities
 - Participating in Virtual Book Clubs
 - Following Authors and Publishers Piezoelectric Transducers And Applications
- 9. Balancing eBooks and Physical Books Piezoelectric Transducers And Applications
 - Benefits of a Digital Library
 - Creating a Diverse Reading Collection Piezoelectric Transducers And Applications
- 10. Overcoming Reading Challenges
 - Dealing with Digital Eye Strain
 - Minimizing Distractions
 - Managing Screen Time
- 11. Cultivating a Reading Routine Piezoelectric Transducers And Applications
 - Setting Reading Goals Piezoelectric Transducers And Applications
 - Carving Out Dedicated Reading Time
- 12. Sourcing Reliable Information of Piezoelectric Transducers And Applications
 - Fact-Checking eBook Content of Piezoelectric Transducers And Applications

- Distinguishing Credible Sources
13. Promoting Lifelong Learning
- Utilizing eBooks for Skill Development
 - Exploring Educational eBooks
14. Embracing eBook Trends
- Integration of Multimedia Elements
 - Interactive and Gamified eBooks

Piezoelectric Transducers And Applications Introduction

Piezoelectric Transducers And Applications Offers over 60,000 free eBooks, including many classics that are in the public domain. Open Library: Provides access to over 1 million free eBooks, including classic literature and contemporary works. Piezoelectric Transducers And Applications Offers a vast collection of books, some of which are available for free as PDF downloads, particularly older books in the public domain. Piezoelectric Transducers And Applications : This website hosts a vast collection of scientific articles, books, and textbooks. While it operates in a legal gray area due to copyright issues, its a popular resource for finding various publications. Internet Archive for Piezoelectric Transducers And Applications : Has an extensive collection of digital content, including books, articles, videos, and more. It has a massive library of free downloadable books. Free-eBooks Piezoelectric Transducers And Applications Offers a diverse range of free eBooks across various genres. Piezoelectric Transducers And Applications Focuses mainly on educational books, textbooks, and business books. It offers free PDF downloads for educational purposes. Piezoelectric Transducers And Applications Provides a large selection of free eBooks in different genres, which are available for download in various formats, including PDF. Finding specific Piezoelectric Transducers And Applications, especially related to Piezoelectric Transducers And Applications, might be challenging as theyre often artistic creations rather than practical blueprints. However, you can explore the following steps to search for or create your own Online Searches: Look for websites, forums, or blogs dedicated to Piezoelectric Transducers And Applications, Sometimes enthusiasts share their designs or concepts in PDF format. Books and Magazines Some Piezoelectric Transducers And Applications books or magazines might include. Look for these in online stores or libraries. Remember that while Piezoelectric Transducers And Applications, sharing copyrighted material without permission is not legal. Always ensure youre either creating your own or obtaining them from legitimate sources that allow sharing and downloading. Library Check if your local library offers eBook lending services. Many libraries have digital catalogs where you can borrow Piezoelectric Transducers And Applications eBooks for free, including popular titles. Online Retailers: Websites like Amazon, Google Books, or Apple Books often sell eBooks. Sometimes, authors or publishers offer promotions or free

periods for certain books. Authors Website Occasionally, authors provide excerpts or short stories for free on their websites. While this might not be the Piezoelectric Transducers And Applications full book, it can give you a taste of the authors writing style. Subscription Services Platforms like Kindle Unlimited or Scribd offer subscription-based access to a wide range of Piezoelectric Transducers And Applications eBooks, including some popular titles.

FAQs About Piezoelectric Transducers And Applications Books

How do I know which eBook platform is the best for me? Finding the best eBook platform depends on your reading preferences and device compatibility. Research different platforms, read user reviews, and explore their features before making a choice. Are free eBooks of good quality? Yes, many reputable platforms offer high-quality free eBooks, including classics and public domain works. However, make sure to verify the source to ensure the eBook credibility. Can I read eBooks without an eReader? Absolutely! Most eBook platforms offer webbased readers or mobile apps that allow you to read eBooks on your computer, tablet, or smartphone. How do I avoid digital eye strain while reading eBooks? To prevent digital eye strain, take regular breaks, adjust the font size and background color, and ensure proper lighting while reading eBooks. What the advantage of interactive eBooks? Interactive eBooks incorporate multimedia elements, quizzes, and activities, enhancing the reader engagement and providing a more immersive learning experience. Piezoelectric Transducers And Applications is one of the best book in our library for free trial. We provide copy of Piezoelectric Transducers And Applications in digital format, so the resources that you find are reliable. There are also many Ebooks of related with Piezoelectric Transducers And Applications. Where to download Piezoelectric Transducers And Applications online for free? Are you looking for Piezoelectric Transducers And Applications PDF? This is definitely going to save you time and cash in something you should think about. If you trying to find then search around for online. Without a doubt there are numerous these available and many of them have the freedom. However without doubt you receive whatever you purchase. An alternate way to get ideas is always to check another Piezoelectric Transducers And Applications. This method for see exactly what may be included and adopt these ideas to your book. This site will almost certainly help you save time and effort, money and stress. If you are looking for free books then you really should consider finding to assist you try this. Several of Piezoelectric Transducers And Applications are for sale to free while some are payable. If you arent sure if the books you would like to download works with for usage along with your computer, it is possible to download free trials. The free guides make it easy for someone to free access online library for download books to your device. You can get free download on free trial for lots of books categories. Our library is the biggest of these that have literally hundreds of thousands of different products categories represented. You will also see that there are specific sites catered to different product types or categories, brands

or niches related with Piezoelectric Transducers And Applications. So depending on what exactly you are searching, you will be able to choose e books to suit your own need. Need to access completely for Campbell Biology Seventh Edition book? Access Ebook without any digging. And by having access to our ebook online or by storing it on your computer, you have convenient answers with Piezoelectric Transducers And Applications To get started finding Piezoelectric Transducers And Applications, you are right to find our website which has a comprehensive collection of books online. Our library is the biggest of these that have literally hundreds of thousands of different products represented. You will also see that there are specific sites catered to different categories or niches related with Piezoelectric Transducers And Applications So depending on what exactly you are searching, you will be able to choose ebook to suit your own need. Thank you for reading Piezoelectric Transducers And Applications. Maybe you have knowledge that, people have search numerous times for their favorite readings like this Piezoelectric Transducers And Applications, but end up in harmful downloads. Rather than reading a good book with a cup of coffee in the afternoon, instead they juggled with some harmful bugs inside their laptop. Piezoelectric Transducers And Applications is available in our book collection an online access to it is set as public so you can download it instantly. Our digital library spans in multiple locations, allowing you to get the most less latency time to download any of our books like this one. Merely said, Piezoelectric Transducers And Applications is universally compatible with any devices to read.

Find Piezoelectric Transducers And Applications :

~~ring of thoth other tales~~

riotous roscommon social unrest in the 1840s maynooth studies in local history no. 21

ripleys believe it or not 14th series

rising above organized religion the journey to the higher view

rights and persons

rise fall of t d lysenko

rise corrupt and coming fall of the house of saud

right actions in sport

risk based decisionmaking at the environmental protection agency. joint hearing

riemann surfaces and related topics

~~right with god~~

ritterkreuztrager der deutschen wehrmacht part 8a die rit

rights liberties and public policy

rights of the child

risk management in health care institutions a strategic approach

Piezoelectric Transducers And Applications :

1983 Öys sorulari - Dec 08 2022

web b atom gücü gibi bir şeydir sanat insanoğlu onu yapmak için de kullanabilir yıkmak için de c sanatın gerçeği hem sanatçıyı hem çevresini tedirgin eder sahresiyse tedirgin etmez kafası nı yüreğini körletir d ne sanat bilimden ne bilim sanattan çıkar ama birinin olmadığı yerde öteki de yoktur

la troisia me oreille a l a c coute de l au dela support - Feb 27 2022

web la troisia me oreille a l a c coute de l au dela 1 if you ally obsession such a referred la troisia me oreille a l a c coute de l au dela ebook that will have the funds for you worth get the certainly best seller from us currently from several preferred authors if you desire to hilarious books lots of novels

la troisia me oreille a l a c coute de l au dela download - Aug 16 2023

web 4 la troisia me oreille a l a c coute de l au dela 2022 02 03 dialogue est ici livré avec une totale sincérité et dédié à tous ceux qui ont comme lui perdu un enfant préfacé par le philosophe gabriel marcel la troisième oreille s achève sur des mantras de l écrivain allemand ernst jünger qui a perdu lui aussi un fils

traduction troisième en turc dictionnaire français turc reverso - Oct 06 2022

web traduction troisième dans le dictionnaire français turc de reverso voir aussi troisième troisièmement trois trisomie conjugaison expressions idiomatiques

la troisième oreille a l écoute de l au delà by marcel belline - Aug 04 2022

web troisme runion de franois scellier l udf passe au les petites oreilles de l elyse la barre le parisien download l inconnu de l ascenseur et moi free ebook pdf la troisme oreille 21 01 2017 la troisme oreille a l ecoute de l au dela cleopatre 3 annonces provenant de 2 marchands référencés à titre payant

[la troisia me oreille a l a c coute de l au dela pdf full pdf](#) - Apr 12 2023

web la troisia me oreille a l a c coute de l au dela pdf recognizing the quirk ways to get this book la troisia me oreille a l a c coute de l au dela pdf is additionally useful you have remained in right site to start getting this info acquire the la troisia me oreille a l a c coute de l au dela pdf link that we give here and check out the link

la troisia me oreille a l a c coute de l au dela pdf - Mar 31 2022

web mar 30 2023 la troisia me oreille a l a c coute de l au dela pdf troisia me oreille a l a c coute de l au dela pdf as one of the most keen sellers here will totally be in the midst of the best options to review surgical approaches to the facial skeleton

edward ellis dds 2006

la troisia me oreille a l a c coute de l au dela book - Jun 02 2022

web la troisia me oreille a l a c coute de l au dela recognizing the showing off ways to acquire this book la troisia me oreille a l a c coute de l au dela is additionally useful you have remained in right site to begin getting this info acquire the la troisia me oreille a l a c coute de l au dela belong to that we

la troisia me oreille a l a c coute de l au dela martin s - May 13 2023

web la troisia me oreille a l a c coute de l au dela right here we have countless book la troisia me oreille a l a c coute de l au dela and collections to check out we additionally manage to pay for variant types and then type of the books to browse the gratifying book fiction history novel scientific research as skillfully as various

la troisième oreille a l écoute de l au delà by marcel belline - May 01 2022

web les instruments de l orchestre a l écoute de l au dela 73 meilleures images du tableau percing oreille percing may 2nd 2020 couvre oreille très féminin avec un motif de couronne détaillé et conçu pour embrasser la partie supérieure de l oreille il simule l aspect e crown ear cuff ear wrap gold ear cuff

la troisia me oreille a l a c coute de l au dela pdf - Jun 14 2023

web feb 25 2023 la troisia me oreille a l a c coute de l au dela as recognized adventure as well as experience not quite lesson amusement as without difficulty as arrangement can be gotten by just checking out a books la troisia me oreille a l a c coute de l au dela as a consequence it is not directly done you could acknowledge

la troisia me oreille a l a c coute de l au dela pdf - Jul 15 2023

web 2 la troisia me oreille a l a c coute de l au dela 2020 06 08 criticism at a time when the relation between text and image occupies a prominent place in the critical landscape this volume offers new insights into the possibility and nature of their encounter and invites the reader to focus on the material aspect of visual and textual creation

arı maya 83 bölüm Şüphenin gölgesi türkçe dublaj hd - Jan 29 2022

web arı maya2012 maya adlı genç bir arı doğanın güzelliklerini ve gizemlerini keşfetmek için kovanını terk eder ve diğer böceklerle arkadaşlıklar kurar maya ve

la troisia me oreille a l a c coute de l au dela pdf - Jan 09 2023

web jun 9 2023 la troisia me oreille a l a c coute de l au dela pdf la troisia me oreille a l a c coute de l au dela pdf is straightforward in our digital library an online permission to it is set as public fittingly you can download it instantly our digital library saves in combination countries allowing you to acquire the most less latency era to

la troisia me oreille a l a c coute de l au dela pdf - Nov 07 2022

web jan 12 2023 la troisia me oreille a l a c coute de l au dela 1 3 downloaded from 198 58 106 42 on january 12 2023 by

quest la troisia me oreille a l a c coute de l au dela when somebody should go to the books stores search start by shop shelf by shelf it is in fact problematic this is why we present the books compilations in this website

la troisia me oreille a l a c coute de l au dela pdf - Mar 11 2023

web mar 29 2023 la troisia me oreille a l a c coute de l au dela 2 7 downloaded from uniport edu ng on march 29 2023 by guest sollicité dans le monde entier pour ses dons de voyance belline n était plus qu un père déchiré au lendemain de la disparition de son fils unique michel mort à vingt deux ans des suites d un accident de voiture accident que

la troisia me oreille a l a c coute de l au dela copy - Sep 05 2022

web jan 22 2023 la troisia me oreille a l a c coute de l au dela 3 4 downloaded from kelliemay com on january 22 2023 by guest histoire de l art chez les anciens abbé johann joachim winckelmann 1793 comment c est samuel beckett 2001 this book contains the english and french texts and a complete record of the genesis of each

amelia troisi facebook - Dec 28 2021

web amelia troisi is on facebook join facebook to connect with amelia troisi and others you may know facebook gives people the power to share and makes the world more open and connected

download solutions la troisia me oreille a l a c coute de l au dela - Jul 03 2022

web la troisia me oreille a l a c coute de l au dela la science et les phénomènes de l au delà sep 17 2022 l immortalité de la conscience est elle crédible la survivance de l esprit peut elle être démontrée par la science contemporaine oui nous dit l auteur chercheur en psychophysique nous apportant les éléments

la troisia me oreille a l a c coute de l au dela - Feb 10 2023

web suite des vrais principes de la musique continuez par leçons en gradation à une deux et trois voix pour se former l oreille à l harmonie livre troisième

gas turbine theory henry cohen gordon frederick crichton - Jul 02 2022

web longman 1996 gas turbine 442 pages 3 reviews reviews aren t verified but google checks for and removes fake content when it s identified since publication of the third edition the

gas turbine theory - Jul 14 2023

web 7 1 elementary theory of axial flow turbine 7 2 vortex theory 7 3 choice of blade profile pitch and chord 7 4 estimation of stage performance 7 5 overall turbine performance 7 6 the cooled turbine 7 7 the radial flow turbine 8 mechanical design of gas turbines 8 1 design process 8 2 gas turbine architecture 8 3 loads and failure modes 8 4 gas

gas turbine theory cohen complete - Dec 07 2022

web gas turbine theory is the classic course text on gas turbines suitable for both undergraduate and graduate students of mechanical and aeronautical engineering this new seventh edition will also continue to be a valuable reference for practising

gas turbine engineers advanced gas turbine cycles j h horlock 2013 10 22

gasturbinetheorycohencomplete pdf dev sfcg - Oct 05 2022

web gas turbine theory by h cohen g f c rogers h i h saravanamuttoo second edition the design of high efficiency turbomachinery and gas turbines second edition with a new preface thermal power plant and co generation planning volume ii propulsion and power gas turbine theory gas turbine theory by h

gas turbine theory cohen roger gearteam vdocument in - Mar 10 2023

web nov 8 2015 gas turbine theory by g f c rogers andy r mayhew engineering thermodynamics work and hmt transfer longman thermodynamic and transport properties of fluids si bla kwell by g f c rogers the nature of engineering macmillan 4th edition gas turbine theory h ary l j 6 j t j

gas turbine theory university of bristol - Apr 11 2023

web t1 gas turbine theory au cohen h au rogers gfc au saravanamuttoo hih n1 other 4th edition py 1996 y1 1996 m3 authored book sn 0582236320 bt gas turbine theory pb longman group ltd er

gas turbine theory cohen complete 2022 old talentsprint - Jun 01 2022

web gas turbine theory 6a ed dynamic modelling of gas turbines gas turbine theory propulsion and power finite element method gas turbine theory by h cohen and g f c rogers the gas turbine handbook gas turbine theory by h cohen g f c rogers h i h saravanamuttoo second edition gas turbine theory gas turbine

5th edition school of aeronautics neemrana - Jun 13 2023

web publication of gas turbine theory in 1951 the gas turbine was in its infancy when cohen and rogers laid the foundation of the basic theory of this new prime mover including cycle design aerodynamics and thermodynamics of the individual components and off

gas turbine theory saravanamuttoo h i h rogers g f c cohen - Jan 28 2022

web jan 1 2001 vdom dhtml tml gas turbine theory saravanamuttoo h i h rogers g f c cohen henry 9780130158475 amazon com books when the first edition of this book was written fifty years ago the gas turbine was just becoming established as a powerplant for military aircraft

gasturbinetheorycohencomplete 2022 old ariavara - Nov 06 2022

web gas turbine theory gas turbine theory 6a ed gas turbine performance gas turbine theory by h cohen and g f c rogers gas turbine theory gas turbine theory by h cohen g f c rogers h i h saravanamuttoo second edition gas turbine theory gas turbines for electric power generation gas turbine theory

gas turbine theory cohen henry 1921 september 29 free - Feb 09 2023

web gas turbine theory cohen henry 1921 september 29 free download borrow and streaming internet archive

gasturbine theory cohen complete dev2 bryanu - Mar 30 2022

web gas turbine theory cambridge university press this book covers the design analysis and optimization of the cleanest most efficient fossil fuel fired electric power generation

pdf gas turbine theory semantic scholar - May 12 2023

web a method of simulating the dynamic behaviour of gas turbines based on the theory of one dimensional flow is developed the analysis results in two sets of spatial differential equations containing

gasturbine theory cohen complete pdf old ariavara - Jan 08 2023

web gas turbine theory by h cohen and g f c rogers gas turbines gas turbine combined cycle power plants aircraft propulsion and gas turbine engines the design of high efficiency turbomachinery and gas turbines second edition with a new preface advanced gas turbine cycles

gas turbine theory cohen h rogers g f c straznicky paul - Dec 27 2021

web gas turbine theory sixth edition hih saravanamuttoo gfc rogers h cohen pv straznicky ac nix when the first edition of this book was written in 1951 the gas turbine was just becoming established as a powerplant for military aircraft it took another decade before the gas turbine was introduced to civil aircraft and this market

gas turbine theory third edition h cohen et al longman - Apr 30 2022

web gas turbine theory third edition h cohen et al longman scientific technical harlow 1987 414 pp illustrated 19 95 volume 91 issue 907

gas turbine theory cohen complete old cosmc org - Aug 03 2022

web gas turbine theory cohen complete 3 3 mechanical principles the authors describe the theoretical background of the simulation elements and the relevant correlations through which they are applied however they refrain from detailed scientific derivations gas turbine theory 6a ed american society of

cohen gas turbine theory pdf scribd - Sep 04 2022

web cohen gas turbine theory free download as pdf file pdf text file txt or view presentation slides online

gasturbine theory cohen complete dev2 bryanu - Feb 26 2022

web gas turbine theory gas turbine engineering handbook gas turbine theory gas turbine theory by h cohen and g f c rogers industrial gas turbines thermal power plant and co generation planning volume ii the design of high efficiency turbomachinery and gas turbines second edition with a new preface gas

gas turbine theory google books - Aug 15 2023

web gas turbine theory is the classic course text on gas turbines suitable for both undergraduate and graduate students of mechanical and aeronautical engineering this new edition will also continue to be a valuable reference for practising gas

turbine engineers

business research methods donald cooper pamela schindler - Feb 10 2023

web aug 26 2010 donald cooper pamela schindler mcgraw hill education aug 26 2010 business economics 784 pages the eleventh edition of business research methods continues to provide the most

business research methods cooper schindler ppt - Jan 29 2022

web business research methods donald r cooper 2003 01 01 cooper and schindler s business research methods offers students and instructors thorough coverage of business research topics backed by solid theory the authors are successful marketing research consultants and that is evident in the rich and realistic case studies found in

business research methods 12th edition google books - May 13 2023

web feb 1 2013 donald cooper pamela schindler mcgraw hill us higher ed feb 1 2013 business economics the twelfth edition of business research methods reflects a thoughtful revision of a market

sut - Jun 02 2022

web business research donald r cooper pamela schindler eleventh edition edition hill int r national m c g raw

business research methods semantic scholar - Nov 07 2022

web business research methods semantic scholar corpus id 60967573 business research methods d r cooper pamela s schindler published 1980 business designed to lead readers through the entire research process from start to finish the text is divided into three parts

business research methods cooper donald r archive org - Mar 11 2023

web business research methods by cooper donald r publication date 2011 topics industrial management research publisher new york mcgraw hill irwin

business research methods donald r cooper pamela s schindler - Apr 12 2023

web business research methods donald r cooper pamela s schindler 2008 business 746 pages in its anniversary 10th edition authors cooper and schindler continue to provide the

business research methods mcgraw hill - Jul 15 2023

web business research methods 14e contains stand alone chapters that reflect research industry practices using real examples from all areas of business in collaborations with over two dozen industry researchers schindler writes a real world research methods book that distinguishes between big data analytics and small data with an emphasis on

donald cooper google scholar - May 01 2022

web 65 38 1999 2000 2001 2002 2003 2004 2005 2007 follow donald cooper retired professor florida atlantic university no verified email research methods stat org behavior development communication

[business research methods donald cooper pamela schindler](#) - Oct 06 2022

web exploration recent developments predictions by informed figures about the prospects of the technology identification of those involved in the area accounts of successful ventures and failures by others in the field irwin mcgraw hill the mcgraw hill companies inc 2001

business research methods donald r cooper pamela s schindler - Jul 03 2022

web business research methods donald r cooper pamela s schindler google books donald r cooper pamela s schindler mcgraw hill irwin 2008 industrial management 746 pages 0

pdf business research methods lolita nono academia edu - Aug 04 2022

web business research methods lolita nono 2003 see full pdf download pdf related papers comparing undergraduates conceptions of mathematics with their attitudes and approaches to developing numeracy skills naureen durrani

business research methods donald r cooper pamela s schindler - Jun 14 2023

web the twelfth edition of business research methods reflects a thoughtful revision of a market standard students and professors will find thorough current coverage of all business research

[ppt chapter8 observation studies donald r cooper](#) - Mar 31 2022

web jul 19 2014 observation studies donald r cooper pamela s schindler using observation observation and the research process selecting the data collection method selecting an observation approach observation classification nonbehavioral behavioral uploaded on jul 19

business research methods mcgraw hill irwin cooper donald - Feb 27 2022

web aug 26 2010 the three books research methods for business students by saunders et al business research methods 8th edition by william g zikmund et al and business research methods by donald cooper et al complement one another in many good ways the coverage of each is different from the others which is good

[business research methods cooper schindler ppt uniport edu](#) - Dec 28 2021

web business research methods donald r cooper 1998 cooper and schindler s business research methods offers students and instructors thorough coverage of business research topics backed by solid theory the authors are successful marketing research consultants and that is evident in the rich and realistic case studies found in the text

chapter 1 business research methods slideshare - Sep 05 2022

web jun 8 2012 chp9 research methods for business by authors uma sekaran and roger bougie

ppt business research methods donald r cooper and - Aug 16 2023

web jan 2 2020 donald cooper pamela schindler business research methods donald cooper pamela schindler addressing management problems with scientific thinking sources of knowledge slide 2 1 empiricists attempt to describe explain and

make predictions through observation 1 12k views 14 slides

business research methods 12 e sie donald r cooper - Jan 09 2023

web jul 21 2018 business research methods 12 e sie donald r cooper pamela s schindler j k sharma google books donald r cooper pamela s schindler j k sharma mcgraw hill education jul

business research methods donald r cooper pamela s schindler - Dec 08 2022

web donald r cooper pamela s schindler mcgraw hill irwin 2002 business 857 pages cooper and schindler s business research methods offers students and instructors thorough coverage