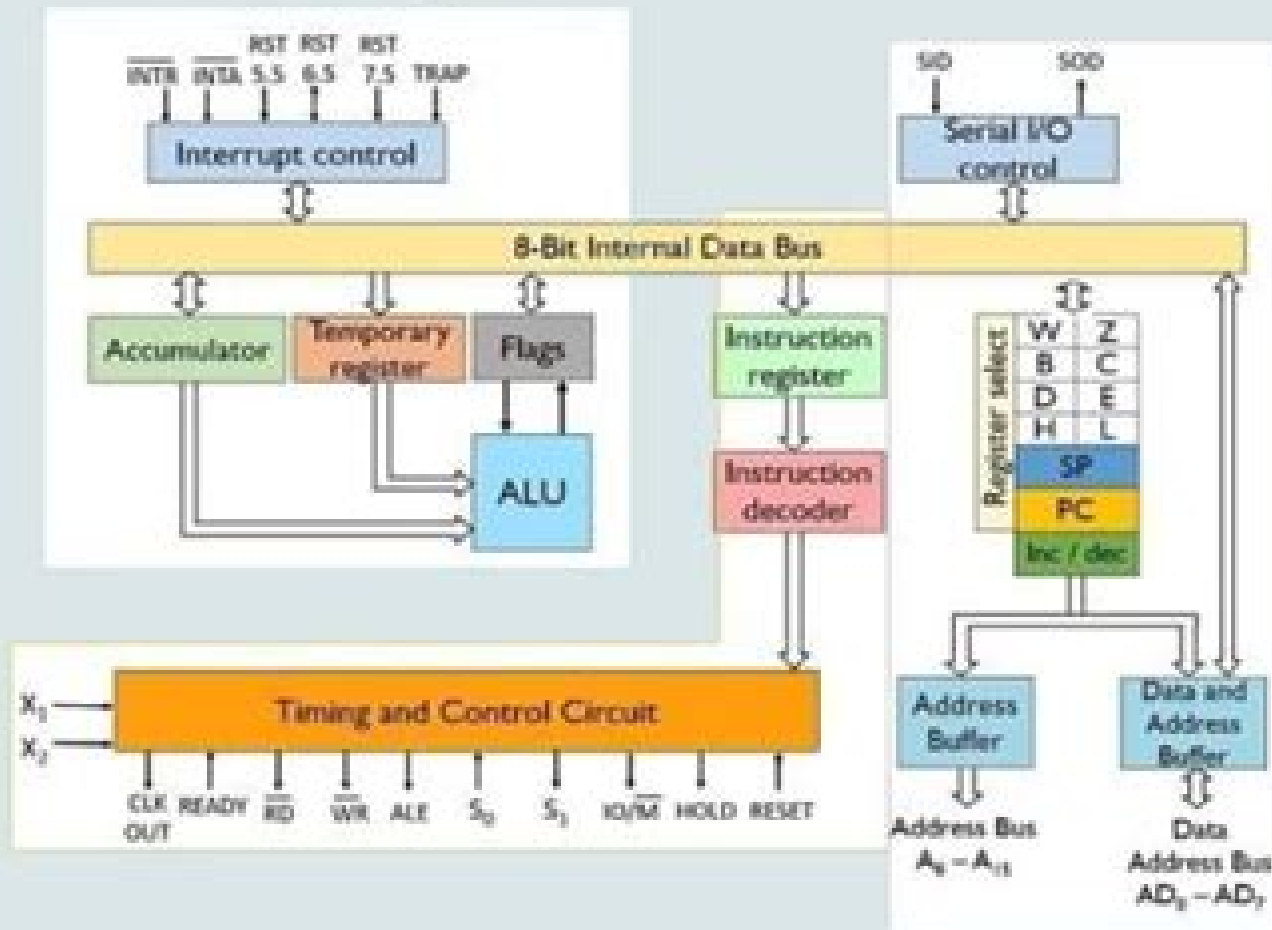


Block Diagram of 8085 Microprocessor



Microprocessors And Microcomputers Hardware And Software Of The 8085

Robert R. Redfield



Microprocessors And Microcomputers Hardware And Software Of The 8085:

Eventually, you will unquestionably discover a supplementary experience and finishing by spending more cash. still when? complete you resign yourself to that you require to acquire those all needs behind having significantly cash? Why dont you attempt to get something basic in the beginning? Thats something that will lead you to understand even more roughly speaking the globe, experience, some places, behind history, amusement, and a lot more?

It is your extremely own era to fake reviewing habit. in the middle of guides you could enjoy now is **Microprocessors And Microcomputers Hardware And Software Of The 8085** below.

https://www.staging.gilderlehrman.org/files/uploaded-files/default.aspx/piglet_feels_small.pdf

Table of Contents Microprocessors And Microcomputers Hardware And Software Of The 8085

1. Understanding the eBook Microprocessors And Microcomputers Hardware And Software Of The 8085
 - The Rise of Digital Reading Microprocessors And Microcomputers Hardware And Software Of The 8085
 - Advantages of eBooks Over Traditional Books
2. Identifying Microprocessors And Microcomputers Hardware And Software Of The 8085
 - Exploring Different Genres
 - Considering Fiction vs. Non-Fiction
 - Determining Your Reading Goals
3. Choosing the Right eBook Platform
 - Popular eBook Platforms
 - Features to Look for in an Microprocessors And Microcomputers Hardware And Software Of The 8085
 - User-Friendly Interface
4. Exploring eBook Recommendations from Microprocessors And Microcomputers Hardware And Software Of The 8085
 - Personalized Recommendations
 - Microprocessors And Microcomputers Hardware And Software Of The 8085 User Reviews and Ratings
 - Microprocessors And Microcomputers Hardware And Software Of The 8085 and Bestseller Lists
5. Accessing Microprocessors And Microcomputers Hardware And Software Of The 8085 Free and Paid eBooks

- Microprocessors And Microcomputers Hardware And Software Of The 8085 Public Domain eBooks
 - Microprocessors And Microcomputers Hardware And Software Of The 8085 eBook Subscription Services
 - Microprocessors And Microcomputers Hardware And Software Of The 8085 Budget-Friendly Options
6. Navigating Microprocessors And Microcomputers Hardware And Software Of The 8085 eBook Formats
 - ePub, PDF, MOBI, and More
 - Microprocessors And Microcomputers Hardware And Software Of The 8085 Compatibility with Devices
 - Microprocessors And Microcomputers Hardware And Software Of The 8085 Enhanced eBook Features
 7. Enhancing Your Reading Experience
 - Adjustable Fonts and Text Sizes of Microprocessors And Microcomputers Hardware And Software Of The 8085
 - Highlighting and Note-Taking Microprocessors And Microcomputers Hardware And Software Of The 8085
 - Interactive Elements Microprocessors And Microcomputers Hardware And Software Of The 8085
 8. Staying Engaged with Microprocessors And Microcomputers Hardware And Software Of The 8085
 - Joining Online Reading Communities
 - Participating in Virtual Book Clubs
 - Following Authors and Publishers Microprocessors And Microcomputers Hardware And Software Of The 8085
 9. Balancing eBooks and Physical Books Microprocessors And Microcomputers Hardware And Software Of The 8085
 - Benefits of a Digital Library
 - Creating a Diverse Reading Collection Microprocessors And Microcomputers Hardware And Software Of The 8085
 10. Overcoming Reading Challenges
 - Dealing with Digital Eye Strain
 - Minimizing Distractions
 - Managing Screen Time
 11. Cultivating a Reading Routine Microprocessors And Microcomputers Hardware And Software Of The 8085
 - Setting Reading Goals Microprocessors And Microcomputers Hardware And Software Of The 8085
 - Carving Out Dedicated Reading Time
 12. Sourcing Reliable Information of Microprocessors And Microcomputers Hardware And Software Of The 8085
 - Fact-Checking eBook Content of Microprocessors And Microcomputers Hardware And Software Of The 8085
 - Distinguishing Credible Sources
 13. Promoting Lifelong Learning

- Utilizing eBooks for Skill Development
 - Exploring Educational eBooks
14. Embracing eBook Trends
- Integration of Multimedia Elements
 - Interactive and Gamified eBooks

Microprocessors And Microcomputers Hardware And Software Of The 8085 Introduction

In today's digital age, the availability of Microprocessors And Microcomputers Hardware And Software Of The 8085 books and manuals for download has revolutionized the way we access information. Gone are the days of physically flipping through pages and carrying heavy textbooks or manuals. With just a few clicks, we can now access a wealth of knowledge from the comfort of our own homes or on the go. This article will explore the advantages of Microprocessors And Microcomputers Hardware And Software Of The 8085 books and manuals for download, along with some popular platforms that offer these resources. One of the significant advantages of Microprocessors And Microcomputers Hardware And Software Of The 8085 books and manuals for download is the cost-saving aspect. Traditional books and manuals can be costly, especially if you need to purchase several of them for educational or professional purposes. By accessing Microprocessors And Microcomputers Hardware And Software Of The 8085 versions, you eliminate the need to spend money on physical copies. This not only saves you money but also reduces the environmental impact associated with book production and transportation. Furthermore, Microprocessors And Microcomputers Hardware And Software Of The 8085 books and manuals for download are incredibly convenient. With just a computer or smartphone and an internet connection, you can access a vast library of resources on any subject imaginable. Whether you're a student looking for textbooks, a professional seeking industry-specific manuals, or someone interested in self-improvement, these digital resources provide an efficient and accessible means of acquiring knowledge. Moreover, PDF books and manuals offer a range of benefits compared to other digital formats. PDF files are designed to retain their formatting regardless of the device used to open them. This ensures that the content appears exactly as intended by the author, with no loss of formatting or missing graphics. Additionally, PDF files can be easily annotated, bookmarked, and searched for specific terms, making them highly practical for studying or referencing. When it comes to accessing Microprocessors And Microcomputers Hardware And Software Of The 8085 books and manuals, several platforms offer an extensive collection of resources. One such platform is Project Gutenberg, a nonprofit organization that provides over 60,000 free eBooks. These books are primarily in the public domain, meaning they can be freely distributed and downloaded. Project Gutenberg offers a wide range of classic literature, making it an excellent resource for literature enthusiasts. Another popular platform for Microprocessors And Microcomputers Hardware And

Microprocessors And Microcomputers Hardware And Software Of The 8085

Software Of The 8085 books and manuals is Open Library. Open Library is an initiative of the Internet Archive, a non-profit organization dedicated to digitizing cultural artifacts and making them accessible to the public. Open Library hosts millions of books, including both public domain works and contemporary titles. It also allows users to borrow digital copies of certain books for a limited period, similar to a library lending system. Additionally, many universities and educational institutions have their own digital libraries that provide free access to PDF books and manuals. These libraries often offer academic texts, research papers, and technical manuals, making them invaluable resources for students and researchers. Some notable examples include MIT OpenCourseWare, which offers free access to course materials from the Massachusetts Institute of Technology, and the Digital Public Library of America, which provides a vast collection of digitized books and historical documents. In conclusion, Microprocessors And Microcomputers Hardware And Software Of The 8085 books and manuals for download have transformed the way we access information. They provide a cost-effective and convenient means of acquiring knowledge, offering the ability to access a vast library of resources at our fingertips. With platforms like Project Gutenberg, Open Library, and various digital libraries offered by educational institutions, we have access to an ever-expanding collection of books and manuals. Whether for educational, professional, or personal purposes, these digital resources serve as valuable tools for continuous learning and self-improvement. So why not take advantage of the vast world of Microprocessors And Microcomputers Hardware And Software Of The 8085 books and manuals for download and embark on your journey of knowledge?

FAQs About Microprocessors And Microcomputers Hardware And Software Of The 8085 Books

How do I know which eBook platform is the best for me? Finding the best eBook platform depends on your reading preferences and device compatibility. Research different platforms, read user reviews, and explore their features before making a choice. Are free eBooks of good quality? Yes, many reputable platforms offer high-quality free eBooks, including classics and public domain works. However, make sure to verify the source to ensure the eBook credibility. Can I read eBooks without an eReader? Absolutely! Most eBook platforms offer webbased readers or mobile apps that allow you to read eBooks on your computer, tablet, or smartphone. How do I avoid digital eye strain while reading eBooks? To prevent digital eye strain, take regular breaks, adjust the font size and background color, and ensure proper lighting while reading eBooks. What the advantage of interactive eBooks? Interactive eBooks incorporate multimedia elements, quizzes, and activities, enhancing the reader engagement and providing a more immersive learning experience. Microprocessors And Microcomputers Hardware And Software Of The 8085 is one of the best book in our library for free trial. We provide copy of Microprocessors And Microcomputers Hardware And Software Of The 8085 in digital format, so the resources that you find

Microprocessors And Microcomputers Hardware And Software Of The 8085

are reliable. There are also many Ebooks of related with Microprocessors And Microcomputers Hardware And Software Of The 8085. Where to download Microprocessors And Microcomputers Hardware And Software Of The 8085 online for free? Are you looking for Microprocessors And Microcomputers Hardware And Software Of The 8085 PDF? This is definitely going to save you time and cash in something you should think about. If you trying to find then search around for online. Without a doubt there are numerous these available and many of them have the freedom. However without doubt you receive whatever you purchase. An alternate way to get ideas is always to check another Microprocessors And Microcomputers Hardware And Software Of The 8085. This method for see exactly what may be included and adopt these ideas to your book. This site will almost certainly help you save time and effort, money and stress. If you are looking for free books then you really should consider finding to assist you try this. Several of Microprocessors And Microcomputers Hardware And Software Of The 8085 are for sale to free while some are payable. If you arent sure if the books you would like to download works with for usage along with your computer, it is possible to download free trials. The free guides make it easy for someone to free access online library for download books to your device. You can get free download on free trial for lots of books categories. Our library is the biggest of these that have literally hundreds of thousands of different products categories represented. You will also see that there are specific sites catered to different product types or categories, brands or niches related with Microprocessors And Microcomputers Hardware And Software Of The 8085. So depending on what exactly you are searching, you will be able to choose e books to suit your own need. Need to access completely for Campbell Biology Seventh Edition book? Access Ebook without any digging. And by having access to our ebook online or by storing it on your computer, you have convenient answers with Microprocessors And Microcomputers Hardware And Software Of The 8085 To get started finding Microprocessors And Microcomputers Hardware And Software Of The 8085, you are right to find our website which has a comprehensive collection of books online. Our library is the biggest of these that have literally hundreds of thousands of different products represented. You will also see that there are specific sites catered to different categories or niches related with Microprocessors And Microcomputers Hardware And Software Of The 8085 So depending on what exactly you are searching, you will be able to choose ebook to suit your own need. Thank you for reading Microprocessors And Microcomputers Hardware And Software Of The 8085. Maybe you have knowledge that, people have search numerous times for their favorite readings like this Microprocessors And Microcomputers Hardware And Software Of The 8085, but end up in harmful downloads. Rather than reading a good book with a cup of coffee in the afternoon, instead they juggled with some harmful bugs inside their laptop. Microprocessors And Microcomputers Hardware And Software Of The 8085 is available in our book collection an online access to it is set as public so you can download it instantly. Our digital library spans in multiple locations, allowing you to get the most less latency time to download any of our books like this one. Merely said, Microprocessors And Microcomputers Hardware And Software Of The 8085 is universally compatible with any devices to

read.

Find Microprocessors And Microcomputers Hardware And Software Of The 8085 :

piglet feels small

~~piero della francesca san francesco arezzo~~

pieta for the dispossessed the grace of

pingo the plaid panda

pilipino martial arts

pictorial history of grand rapids

pieces of mind fragmented commentary on domestic blisters and living laughably ever after

pime in north america fifty years presence and impact

pinky and rex and the new baby

pictures of the gone world

~~pillsbury best muffins and quick breads cookbook~~

picture the world of ships and boats picture the world of

pimlico companion to fashion

pilots cross-country guide to national parks

piggy party

Microprocessors And Microcomputers Hardware And Software Of The 8085 :

Far East prisoners of war Far East prisoners of war is a term used in the United Kingdom to describe former British and Commonwealth prisoners of war held in the Far East during the ... What Life Was Like For POWs In The Far East WW2 Escape was almost impossible. Most camps were hundreds of miles from Allied-held territory. Prisoners were too under-nourished to be capable of surviving for ... COFEPOW | Children & Families of Far East Prisoners of War COFEPOW is a charity devoted to perpetuating the memory of the Far East Prisoners of War. The members are war babies of the men who died in the far east. Far East Prisoners of War | VJ Day 75 They were forced into hard labour, many shipped in dangerous conditions to work in Japan. About 30,000 died in these conditions, a death rate of over 20%, seven ... The British POWs of Hiroshima and Nagasaki, 1945 Sep 4, 2020 — A British POW eyewitness to the Nagasaki atomic blast. Inevitably, many British and Allied POWs imprisoned in camps on the outskirts of ... Far East Prisoners of War (FEPOW) | LSTM Now in its

seventh decade, this unique relationship has led to world-class research into tropical medicine and the effects of captivity which continues to ... Fepow Community The Far East was captured in a dramatic attempt by Japan to seize its wealth of natural resources, the captured men, woman and children had to endure nearly ... The Far Eastern Prisoners of War - +fepow Far East prisoners of war (or FEPOW) were subjected to years of neglect, malnutrition, disease and slave labour. They were moved at the whim of their captors ... FEPOW! RAF Prisoners of Imperial Japan, 1942 - 1945 Aug 13, 2020 — The surviving Far East prisoners-of-war (FEPOWs) were liberated from their camps, and by the end of November, most of the British prisoners ... Far East Prisoners of War This history project documents in detail a tribute to the Far East Prisoners of War.

Leyland 344 Tractor Operators Manual Operator's Manual · THIS IS A MANUAL PRODUCED BY JENSALES INC. WITHOUT THE AUTHORIZATION OF · LEYLAND OR IT'S SUCCESSORS. LEYLAND AND IT'S SUCCESSORS · ARE NOT ... Leyland Tractor Manuals Manuals · *Leyland Key Chain/\$1.25 or Free w/\$10 Purchase · Handbook/270 - AKD7487A · Handbook/272 - AKD7487 · Handbook/344 - AKD7416 · Handbook/384 - AKD7416/A. Leyland "344" Tractor Operator Handbook Manual A 70 page Operator's Handbook for the Leyland "344" Tractor. Reproduced from an original that would have been supplied with the tractor when new. Leyland 344 Tractor Operator's Manual Browse the free pdf preview of the Leyland 344 Tractor Operators Manual (mobile users click here). Manuals are specific to your make and model. Misc. Tractors Leyland 344 Dsl Service Manual Our Misc. Tractors Leyland 344 Dsl Service Manual is a high-quality reproduction of factory manuals from the OEM (Original Equipment Manufacturer). Leyland 344 Operator's Handbook Operating Instructions. Leyland Nuffield 344 Tractor Handbook. Reproduced from an original handbook that would have been supplied with the tractor when new. Leyland 344 384 Workshop Manual Workshop Manual for the Leyland 344 and 384 Tractors. Covers body work, brakes, clutch, cooling system, electrical, engine, final drive & reduction gears, front ... Leyland 250, 270, 344, 384 Tractor Service Manual Leyland 250, 270, 344, 384 Tractor Service Manual ; ASIN, B011T12G6O ; Unknown Binding, 0 pages ; Customer Reviews, 4.6 out of 5 stars 5Reviews ; Important ... Leyland Nuffield Tractor 344 & 384 Workshop Service ... Leyland Nuffield Tractor 344 & 384 Workshop Service Manual ; AGRIMANUALS (30631) ; Approx. \$35.55. + \$17.78 shipping ; Breathe easy. Returns accepted. ; People want ... Leyland 250, 270, 344, 384 Tractor Service Manual Our Repair Manual, also known as service manual or shop manual show you how to disassemble and reassemble your tractor. These manuals are authentic ...

While the World Watched: A Birmingham Bombing Survivor ... While the World Watched is a first person account of the 1963 16th Street Church Bombing where four young teenage girls died, and her life after that bombing. While the World Watched: A Birmingham Bombing Survivor ... While the World Watched is a poignant and gripping eyewitness account of life in the Jim Crow South - from the bombings, riots and assassinations to the ... While the world watched chapter 1 through 3 questions The common place in the south, the greatest fear of all parents was when young black girls walking in the streets got picked up by white men, raped, and then ... While the world watched : a Birmingham bombing survivor ... While the World Watched

is a poignant and gripping eyewitness account of life in the Jim Crow South - from the bombings, riots and assassinations to the ... A Birmingham Survivor Comes Of Age During The Civil ... While The World Watched: A Birmingham Survivor Comes Of Age During The Civil Rights Movement The author shares her experience of race relations in America, ... While the World Watched while the world watched . . . lest I forget. Lest we all forget. I hope this story will challenge you to reexamine your life; your daily living; your values ... While the World Watched Summary After she chatted with her friends, Maull left the restroom alone to answer a phone that was ringing in the church office. She recalls a mysterious voice, which ... While the World Watched: A Birmingham Bombing Survivor ... Carolyn Maull McKinstry is a survivor of the Civil Rights struggle and an eyewitness to the Sept. 15, 1963 Sixteenth Street Baptist Church bombing. Book Review: While the World Watched May 22, 2018 — Carolyn's story, told matter-of-factly, invites the reader into her world and we get a better appreciation for the struggle faced by black ...