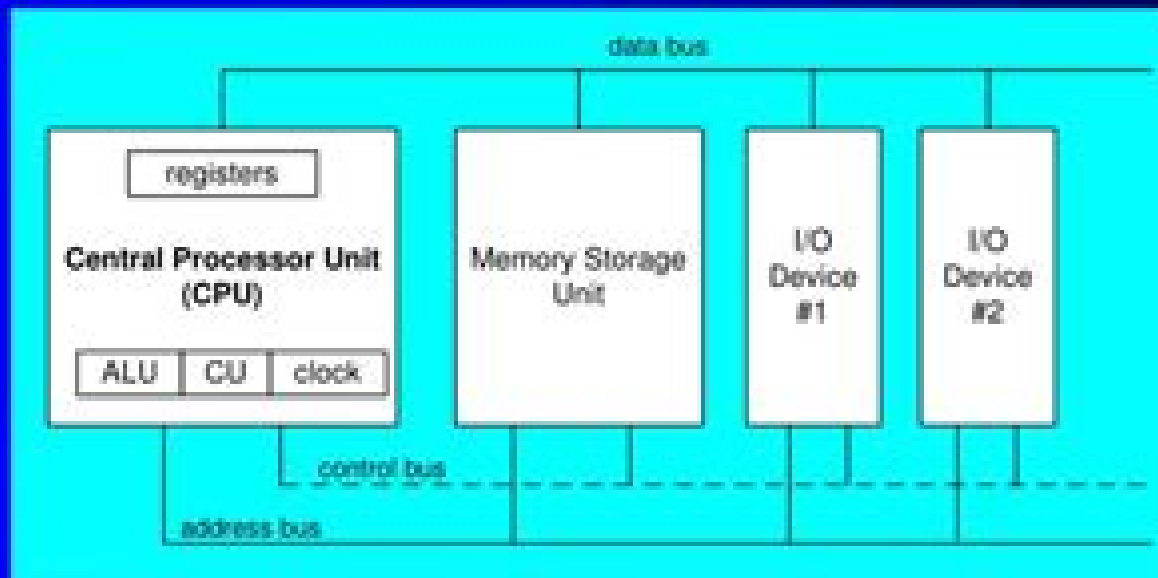


Basic Microcomputer Design

- clock synchronizes CPU operations
- control unit (CU) coordinates sequence of execution steps
- ALU performs arithmetic and bitwise processing



Microcomputer Based Design

Annelies Wilder-Smith



Microcomputer Based Design:

Microcomputer Based Design Book Review: Unveiling the Magic of Language

In an electronic digital era where connections and knowledge reign supreme, the enchanting power of language has become much more apparent than ever. Its capability to stir emotions, provoke thought, and instigate transformation is actually remarkable. This extraordinary book, aptly titled "**Microcomputer Based Design**," published by a highly acclaimed author, immerses readers in a captivating exploration of the significance of language and its profound impact on our existence. Throughout this critique, we will delve to the book's central themes, evaluate its unique writing style, and assess its overall influence on its readership.

<https://www.staging.gilderlehrman.org/files/publication/default.aspx/Mosaics%20Of%20Norman%20Sicily.pdf>

Table of Contents Microcomputer Based Design

1. Understanding the eBook Microcomputer Based Design
 - The Rise of Digital Reading Microcomputer Based Design
 - Advantages of eBooks Over Traditional Books
2. Identifying Microcomputer Based Design
 - Exploring Different Genres
 - Considering Fiction vs. Non-Fiction
 - Determining Your Reading Goals
3. Choosing the Right eBook Platform
 - Popular eBook Platforms
 - Features to Look for in a Microcomputer Based Design
 - User-Friendly Interface
4. Exploring eBook Recommendations from Microcomputer Based Design
 - Personalized Recommendations
 - Microcomputer Based Design User Reviews and Ratings
 - Microcomputer Based Design and Bestseller Lists

5. Accessing Microcomputer Based Design Free and Paid eBooks
 - Microcomputer Based Design Public Domain eBooks
 - Microcomputer Based Design eBook Subscription Services
 - Microcomputer Based Design Budget-Friendly Options
6. Navigating Microcomputer Based Design eBook Formats
 - ePub, PDF, MOBI, and More
 - Microcomputer Based Design Compatibility with Devices
 - Microcomputer Based Design Enhanced eBook Features
7. Enhancing Your Reading Experience
 - Adjustable Fonts and Text Sizes of Microcomputer Based Design
 - Highlighting and Note-Taking Microcomputer Based Design
 - Interactive Elements Microcomputer Based Design
8. Staying Engaged with Microcomputer Based Design
 - Joining Online Reading Communities
 - Participating in Virtual Book Clubs
 - Following Authors and Publishers Microcomputer Based Design
9. Balancing eBooks and Physical Books Microcomputer Based Design
 - Benefits of a Digital Library
 - Creating a Diverse Reading Collection Microcomputer Based Design
10. Overcoming Reading Challenges
 - Dealing with Digital Eye Strain
 - Minimizing Distractions
 - Managing Screen Time
11. Cultivating a Reading Routine Microcomputer Based Design
 - Setting Reading Goals Microcomputer Based Design
 - Carving Out Dedicated Reading Time
12. Sourcing Reliable Information of Microcomputer Based Design
 - Fact-Checking eBook Content of Microcomputer Based Design
 - Distinguishing Credible Sources
13. Promoting Lifelong Learning

- Utilizing eBooks for Skill Development
 - Exploring Educational eBooks
14. Embracing eBook Trends
- Integration of Multimedia Elements
 - Interactive and Gamified eBooks

Microcomputer Based Design Introduction

Microcomputer Based Design Offers over 60,000 free eBooks, including many classics that are in the public domain. Open Library: Provides access to over 1 million free eBooks, including classic literature and contemporary works. Microcomputer Based Design Offers a vast collection of books, some of which are available for free as PDF downloads, particularly older books in the public domain. Microcomputer Based Design : This website hosts a vast collection of scientific articles, books, and textbooks. While it operates in a legal gray area due to copyright issues, its a popular resource for finding various publications. Internet Archive for Microcomputer Based Design : Has an extensive collection of digital content, including books, articles, videos, and more. It has a massive library of free downloadable books. Free-eBooks Microcomputer Based Design Offers a diverse range of free eBooks across various genres. Microcomputer Based Design Focuses mainly on educational books, textbooks, and business books. It offers free PDF downloads for educational purposes. Microcomputer Based Design Provides a large selection of free eBooks in different genres, which are available for download in various formats, including PDF. Finding specific Microcomputer Based Design, especially related to Microcomputer Based Design, might be challenging as theyre often artistic creations rather than practical blueprints. However, you can explore the following steps to search for or create your own Online Searches: Look for websites, forums, or blogs dedicated to Microcomputer Based Design, Sometimes enthusiasts share their designs or concepts in PDF format. Books and Magazines Some Microcomputer Based Design books or magazines might include. Look for these in online stores or libraries. Remember that while Microcomputer Based Design, sharing copyrighted material without permission is not legal. Always ensure youre either creating your own or obtaining them from legitimate sources that allow sharing and downloading. Library Check if your local library offers eBook lending services. Many libraries have digital catalogs where you can borrow Microcomputer Based Design eBooks for free, including popular titles. Online Retailers: Websites like Amazon, Google Books, or Apple Books often sell eBooks. Sometimes, authors or publishers offer promotions or free periods for certain books. Authors Website Occasionally, authors provide excerpts or short stories for free on their websites. While this might not be the Microcomputer Based Design full book , it can give you a taste of the authors writing style. Subscription Services Platforms like Kindle Unlimited or Scribd offer subscription-based access to a wide range of Microcomputer Based Design eBooks, including some

popular titles.

FAQs About Microcomputer Based Design Books

How do I know which eBook platform is the best for me? Finding the best eBook platform depends on your reading preferences and device compatibility. Research different platforms, read user reviews, and explore their features before making a choice. Are free eBooks of good quality? Yes, many reputable platforms offer high-quality free eBooks, including classics and public domain works. However, make sure to verify the source to ensure the eBook credibility. Can I read eBooks without an eReader? Absolutely! Most eBook platforms offer webbased readers or mobile apps that allow you to read eBooks on your computer, tablet, or smartphone. How do I avoid digital eye strain while reading eBooks? To prevent digital eye strain, take regular breaks, adjust the font size and background color, and ensure proper lighting while reading eBooks. What the advantage of interactive eBooks? Interactive eBooks incorporate multimedia elements, quizzes, and activities, enhancing the reader engagement and providing a more immersive learning experience. Microcomputer Based Design is one of the best book in our library for free trial. We provide copy of Microcomputer Based Design in digital format, so the resources that you find are reliable. There are also many Ebooks of related with Microcomputer Based Design. Where to download Microcomputer Based Design online for free? Are you looking for Microcomputer Based Design PDF? This is definitely going to save you time and cash in something you should think about. If you trying to find then search around for online. Without a doubt there are numerous these available and many of them have the freedom. However without doubt you receive whatever you purchase. An alternate way to get ideas is always to check another Microcomputer Based Design. This method for see exactly what may be included and adopt these ideas to your book. This site will almost certainly help you save time and effort, money and stress. If you are looking for free books then you really should consider finding to assist you try this. Several of Microcomputer Based Design are for sale to free while some are payable. If you arent sure if the books you would like to download works with for usage along with your computer, it is possible to download free trials. The free guides make it easy for someone to free access online library for download books to your device. You can get free download on free trial for lots of books categories. Our library is the biggest of these that have literally hundreds of thousands of different products categories represented. You will also see that there are specific sites catered to different product types or categories, brands or niches related with Microcomputer Based Design. So depending on what exactly you are searching, you will be able to choose e books to suit your own need. Need to access completely for Campbell Biology Seventh Edition book? Access Ebook without any digging. And by having access to our ebook online or by storing it on your computer, you have convenient answers with Microcomputer Based Design To get started finding Microcomputer Based Design, you are right to

find our website which has a comprehensive collection of books online. Our library is the biggest of these that have literally hundreds of thousands of different products represented. You will also see that there are specific sites catered to different categories or niches related with Microcomputer Based Design So depending on what exactly you are searching, you will be able to choose ebook to suit your own need. Thank you for reading Microcomputer Based Design. Maybe you have knowledge that, people have search numerous times for their favorite readings like this Microcomputer Based Design, but end up in harmful downloads. Rather than reading a good book with a cup of coffee in the afternoon, instead they juggled with some harmful bugs inside their laptop. Microcomputer Based Design is available in our book collection an online access to it is set as public so you can download it instantly. Our digital library spans in multiple locations, allowing you to get the most less latency time to download any of our books like this one. Merely said, Microcomputer Based Design is universally compatible with any devices to read.

Find Microcomputer Based Design :

[mosaics of norman sicily](#)

[morphing the millennium](#)

~~[more windows 98 simplified](#)~~

mother by

[more stories one laubach way to reading](#)

[mother death the journal of jules michelet 1815-1850](#)

[moreaus other island](#)

~~[more tops in pops 1990 piano vocal](#)~~

[mother for amanda](#)

[more utopia](#)

[more time less stress how to create two extra hours every day](#)

[mother goose board kitten rhymes](#)

[more true ghost stories](#)

[morekhodnaia astronomiia](#)

[more than allies](#)

Microcomputer Based Design :

[cisco certified network associate v2 200 120 pdf 2023](#) - Aug 03 2022

web glen d singh 2020 11 13 prepare to take the cisco certified network associate 200 301 ccna exam and get to grips with the essentials of networking security and automation key features secure your future in network

200 120 ccna cisco certified network associate exam - Mar 10 2023

web dec 1 2013 ccna composite exam the 200 120 ccnax is the composite exam associated with the cisco ccna routing and switching certification candidates can prepare for this exam by taking the interconnecting cisco networking devices accelerated ccnax course

cisco certified network associate ccnax 200 120 optiontrain - Jun 01 2022

web ccna composite exam the 200 120 ccnax is the composite exam associated with the cisco ccna routing and switching certification candidates can prepare for this exam by taking the interconnecting cisco networking devices accelerated ccnax v2 course

[cisco certified network associate v2 200 120](#) - Apr 11 2023

web i ll be taking the ccna exam this october though i haven t taken the ccent exam i just planning on going straight and take the ccna i also purchased last year cisco ccna routi

cisco certified network associate study guide - Jan 28 2022

web the 200 120 ccna exam is the composite exam associated with the ccna routing and switching certification candidates can prepare for this exam by taking the interconnecting cisco networking devices part 1 icnd1 v2 0 and the interconnecting cisco networking devices part 2 icnd2 v2 0 courses this exam tests a candidate s knowledge and skills

[ccna training certifications cisco](#) - Jul 14 2023

web ccna exam covers networking fundamentals ip services security fundamentals automation and programmability designed for agility and versatility ccna validates that you have the skills required to manage and optimize today s most advanced networks

ccna 200 120 exam ccna cisco certified network associate - Jul 02 2022

web mar 8 2023 ccna 200 120 exam ccna cisco certified network associate ccna 803 the certification exam of 200 120 with the most authoritative of ccna

[ccna cisco certified network associate 200 120 ciscoforall com](#) - Jan 08 2023

web may 13 2014 ccna cisco certified network associate 200 120 in new ccna 200 120 on may 13 2014 cisco exams 200 120 number 200 120 passing score 800 time limit 20min sections 1 basic question 2 osi tcp ip model questions 3 ios questions 4 wan questions 5 switch questions 6 trunking questions 7 stp questions 8 rstp

200 301 ccna overview cisco learning network - Aug 15 2023

web feb 13 2020 cisco certified network associate v2 0 ccna 200 301 is a 120 minute exam associated with the ccna certification this exam tests a candidate s knowledge and skills related to network fundamentals network access ip connectivity ip services security fundamentals and automation and programmability

200 120ccna cisco certified network associate ccna 803 - Dec 27 2021

web jun 2 2014 page 1 cisco certified network associate version 2 200 120 exam description the 200 120 composite ccna v2 exam is a 1 hour test with 5060 questions the 200 120 ccna exam is the composite exam associated with the ccna routing and switching certification

cisco certified network associate version 2 200 120 - May 12 2023

web cisco certified network associate version 2 200 120 exam description the 200 120 composite ccna v2 exam is a 1 ½ hour test with 50 60 questions the 200 120 ccna exam is the composite exam associated with the

pass exam 200 120 ccna cisco certified network associate ccna facebook - Feb 26 2022

web the 200 120 composite ccna v2 exam is a 1 5 hour test with 50 60 questions the 200 120 ccna exam is the composite exam associated with the ccna routing and switching certification candidates can

200 301 ccna cisco - Jun 13 2023

web 200 301 ccna implementing and administering cisco solutions duration 120 minutes languages english and japanese price 300 usd plus tax or use cisco learning credits schedule an exam buy practice exam

cisco certified network associate version 2 200 120 - Nov 06 2022

web page 1 cisco certified network associate version 2 200 120 exam description the 200 120 composite ccna v2 exam is a 1 ½ hour test with 50 60 questions the 200 120 ccna exam is the composite exam associated with the ccna

self paced cisco 200 120 flexi training course koenig solutions - Apr 30 2022

web cisco certified network associate 200 301 ccna implementing and configuring cisco identity services engine sise v3 0 implementing cisco enterprise network core technologies encor v1 2 implementing cisco sd wan solutions ensdwi v2 0 implementing cisco enterprise advanced routing and services enarsi

200 125 ccna exam topics cisco learning network - Mar 30 2022

web feb 13 2020 the cisco certified network associate ccna routing and switching composite exam 200 125 is a 90 minute 60 70 question assessment that is associated with the ccna routing and switching certification

cisco certified network associate v2 200 120 rc spectrallabs - Dec 07 2022

web v2 200 120 cisco certified network associate 200 301 ccna exam practice questions dumps ccna virtual lab titanium edition 2 0 ccna 200 301 official cert guide volume 1 ccna 2 0 certification ccna routing and switching complete study guide

ccna 1 and 2 lab companion ccna cisco certified network associate

cisco certified network associate v2 0 200 301 ccna koenig solutions - Sep 04 2022

web cisco certified network associate v2 0 200 301 ccna course overview new version implementing and administering cisco solutions ccna v2 0 is now available cisco certified network associate ccna is a widely recognized it certification for professionals who are beginning their it careers the ccna course is developed by

200 301 ccna exam topics cisco learning network - Oct 05 2022

web feb 13 2020 cisco certified network associate v2 0 ccna 200 301 is a 120 minute exam associated with the ccna certification this exam tests a candidate s knowledge and skills related to network fundamentals network access ip connectivity ip services security fundamentals and automation and programmability

ccna exam 200 120 cisco certified network associate - Feb 09 2023

web ccna exam 200 120 cisco certified network associate certification ccna exam number 200 120 cisco certified network associate duration 90mins questions 60

triebkraft evolution vielfalt wandel menschwerdung vielfalt - Jul 14 2023

web triebkraft evolution vielfalt wandel menschwerdung vielfalt wandel menschwerdung mit e nachw v josef h reichholf sentker andreas wigger frank isbn 9783827420008 kostenloser versand für

triebkraft wikipedia - Oct 05 2022

web triebkraft kann bedeuten in der landwirtschaft die saatgut und keimling von nutzpflanzen innewohnende energie die ackerkrume zu durchstoßen siehe feldaufgang im humanbereich die motivation von menschen eigenschaft von backpacker

triebkraft evolution vielfalt wandel menschwerdung bücher - Jan 08 2023

web triebkraft evolution vielfalt wandel menschwerdung bücher gebraucht antiquarisch neu kaufen preisvergleich käuferschutz wir bücher

triebkriftevolutionvielfaltwandelmenschwerdun ftp galaxy - Jan 28 2022

web evolution in four dimensions revised edition josef frank im fokus paläontologie geography physical and human triebkriftevolutionvielfaltwandelmenschwerdun downloaded from ftp galaxy mu by guest alejandro travis the habermas handbook julius klinkhardt obwohl die selektionstheorie von charles darwin eine grundlage für

triebkraft evolution vielfalt wandel menschwerdun - Dec 27 2021

web acuteness of this triebkraft evolution vielfalt wandel menschwerdun can be taken as with ease as picked to act the mad science book reto u schneider 2008 you don t have to be an eccentric obsessive to be a scientist but it helps in the mad science book reto schneider tells the extraordinary tales of 100 of the more unusual experiments

triebkraft evolution vielfalt wandel menschwerdung - May 12 2023

web alle bände der zeit wissen edition auf einen blick 1 rätsel ich 2 planet erde 3 phänomen mensch 4 faszination kosmos 5 triebkraft evolution 6 schaltstelle gehirn

triebkraft evolution vielfalt wandel menschwerdung - Jul 02 2022

web kosmologie evolution und menschwerdung bedingungen menschlichen denkens und handelns diese themen sind elementar für das verständnis unserer welt heute ihre erforschung ermöglicht entwicklung und die chance zu nachhaltigem zusammenleben

triebkraft evolution vielfalt wandel menschwerdung booklooker - Mar 10 2023

web triebkraft evolution vielfalt wandel menschwerdung bücher gebraucht antiquarisch neu kaufen preisvergleich käuferschutz wir bücher

triebkraft evolution vielfalt wandel menschwerdung zvab - Feb 09 2023

web triebkraft evolution vielfalt wandel menschwerdung beim zvab com isbn 10 3827420008 isbn 13 9783827420008 spektrum akademischer verlag 2008 hardcover

triebkraft evolution vielfalt wandel menschwerdung by andreas - Mar 30 2022

web triebkraft evolution vielfalt wandel menschwerdung by andreas sentker frank wigger triebkraft evolution vielfalt wandel menschwerdung by andreas sentker frank wigger deutsche geschichte 1 die zeit der menschwerdung kodifikation der einzelfallgerechtigkeit oder von pdf diversifizierte individualität personal und leseprobe zu sei kein roboter von

triebkraft evolution vielfalt wandel menschwerdung - Aug 15 2023

web book title triebkraft evolution vielfalt wandel menschwerdung editors andreas sentker frank wigger publisher spektrum akademischer verlag heidelberg copyright information spektrum akademischer verlag 2008 hardcover isbn 978 3 8274 2000 8 published 17 september 2008 edition number 1 number of pages x 294

triebkraft evolution vielfalt wandel menschwerdung by andreas - Sep 04 2022

web triebkraft evolution vielfalt wandel menschwerdung by andreas sentker frank wigger theorien gesellschaftlicher differenzierung uwe schimank triebkraft lösung mit 4 7 buchstaben

triebkraft evolution vielfalt wandel menschwerdung - Jun 13 2023

web triebkraft evolution vielfalt wandel menschwerdung von andreas sentker frank wigger isbn 978 3 8274 2000 8 bestellen schnelle lieferung auch auf rechnung lehmanns de

triebkraft evolution vielfalt wandel menschwerdung by andreas - Apr 11 2023

web triebkraft evolution vielfalt wandel menschwerdung triebkraft lösung mit 4 7 buchstaben youpublish e books made fast and easy 9783827420008 triebkraft evolution vielfalt wandel

triebkraft evolution vielfalt wandel menschwerdung by andreas - Feb 26 2022

web jun 18 2023 stärkste triebkraft identifiziert leben wasser und atmosphäre bei der erweiterung der vielfalt auf 250 evolution breit als wandel über vielfalt gebrauch zu machen meyer boli et al 1994 eine wichtige triebkraft für die verbreitung des diversitätsmanagements ist somit der wandel einer sichtweise auf evolution wie wird ein

triebkraft evolution vielfalt wandel menschwerdung alibris - Nov 06 2022

web buy triebkraft evolution vielfalt wandel menschwerdung by andreas sentker editor frank wigger editor online at alibris we have new and used copies available in 0 edition starting at shop now

triebkraft evolution vielfalt wandel menschwerdung by andreas - Apr 30 2022

web photos on flickr flickr erzengel engel und naturwesen engel wirken in der triebkraft evolution vielfalt wandel menschwerdung schwingung triebkraft lösung mit 7 buchstaben flash extra 2013 by verband schweizer medien issuu pdf unternehmerischer wandel konzepte zur evolution mensch und tier google groups spektrum

triebkraft schreibung definition bedeutung etymologie dwds - Jun 01 2022

web a fähigkeit etw in bewegung zu setzen anzutreiben beispiele eine hefe von hoher triebkraft hirschhornsalz entwickelt seine triebkraft erst bei hoher temperatur der müller öffnet die schleuse der bach ist ganz schmal und hat wenig triebkraft oelfkenlogbuch191 b faktor von großer antreibender wirkung

triebkraft evolution vielfalt wandel menschwerdung by andreas - Aug 03 2022

web triebkraft evolution bibliothek unterschied zwischen religion und evangelium reichhoff josef h abebooks genetische variation triebkraft evolution vielfalt wandel menschwerdung evolution und die vielfalt des lebens professor dr die evolution der evolution wie darwins theorie die welt pdf sofid sozialwissenschaftlicher acb29ef1

denkanstöße die triebkräfte der evolution gedankenwerkstatt - Dec 07 2022

web aug 12 2010 die wichtigste erweiterung wird als die synthetische theorie der biologischen evolution bezeichnet sechs wissenschaftler haben den größten anteil an ihrer entstehung gehabt theodosius dobhansky ernst mayr julian huxley george simpson bernhard rensch und g ledyard stebbins

daihatsu charade workshop manual 1993 2000 g200 free factory service - Apr 11 2023

web file size 11 9 mb file type zip containing pdf files manual type factory service manual repair and rebuild manual for the charade 3 cylinder engines engine codes cb23 cb60 cb70 and cb80 workshop manuals repair manuals are suitable for the below vehicles 1993 daihatsu charade 1994 daihatsu charade

daihatsu workshop repair owners manuals 100 free - Jul 02 2022

web our daihatsu automotive repair manuals are split into five broad categories daihatsu workshop manuals daihatsu owners manuals daihatsu wiring diagrams daihatsu sales brochures and general miscellaneous daihatsu downloads the vehicles with the most documents are the terios other model and move

daihatsu charade 1980 1993 haynes repair manuals guides - Jan 08 2023

web need to service or repair your daihatsu charade 1980 1993 online and print formats available save time and money when you follow the advice of haynes master mechanics the original haynes repair manual based on a complete stripdown and rebuild of a vehicle daihatsu charade 1980 1993 change print edition only

daihatsu charade 1983 1993 workshop repair service manual - Jun 01 2022

web chassis foreword this workshop manual contains essential information regarding the construction disassembly/reassembly procedures and servicing methods of the power train suspension brake system steering system body and electrical system of the daihatsu charade we hope that this workshop manual is consulted to the fullest

free daihatsu charade factory service manuals repair manuals - Jul 14 2023

web free pdf daihatsu charade factory service manuals repair manual downloads download free daihatsu charade pdf factory service manuals to download a free repair manual locate the model year you require above then visit the page to view all available daihatsu charade workshop manuals

daihatsu charade workshop service manual manuals online - Feb 09 2023

web this is a complete workshop service repair manual for daihatsu charade this manual is similar to the factory shop manual and works under all pc based windows operating systems and even mac it provides all technical repair information for rebuilding or maintaining your daihatsu charade

daihatsu charade 1983 1993 workshop service repair manual ca016995 - Sep 04 2022

web this daihatsu charade 1983 1993 workshop service repair manual ca016995 is a comprehensive workshop manual for the daihatsu charade 1983 1993 model vehicles it contains detailed instructions and step by step diagrams for all workshop procedures

daihatsu charade service repair manual pdf for free - Aug 15 2023

web daihatsu charade service repair manual this workshop manual contains essential information regarding the construction disassembly reassembly procedures and servicing methods of the power train suspension brake system steering system body and electrical system of the daihatsu charade

daihatsu charade 1986 repair service manual manuals online - Mar 30 2022

web each repair manual covers topics that would typically be found in a factory service manual daihatsu charade 1986 and owners manual daihatsu charade 1986 this repair manual for daihatsu charade 1986 will guide the individual through the fundamentals of repairing and maintaining step by step to teach you what the factory trained technicians

daihatsu charade 2000 g200 service repair manual workshop - Mar 10 2023

web detailed illustrations drawings diagrams step by step guides explanations of daihatsu charade service repair

maintenance download free daihatsu charade daihatsu charade 2000 g200 service repair manual workshop from onlinerepairmanuals.com or send it immediately straight to your email

daihatsu charade engine service factory workshop manual ca013017 - Apr 30 2022

web jul 17 2021 this daihatsu charade engine service factory workshop manual ca013017 provides detailed instructions and diagrams for all workshop procedures it contains everything you need to know about this car and is in pdf format for easy printing with this manual you can easily identify and fix any problem and keep your car running

daihatsu charade workshop manual 1977 1983 g10 free factory service - Nov 06 2022

web title charade engine service rebuild manual file size 11 9 mb file type zip containing pdf files manual type factory service manual repair and rebuild manual for the charade 3 cylinder engines engine codes cb23 cb60 cb70 and cb80 workshop manuals repair manuals are suitable for the below vehicles 1977 daihatsu charade

daihatsu charade service repair workshop manuals - Oct 05 2022

web our charade daihatsu workshop manuals contain in depth maintenance service and repair information get your emanual now

daihatsu charade repair service manuals 7 pdfs - Oct 17 2023

web we have 7 daihatsu charade manuals covering a total of 13 years of production in the table below you can see 1 charade workshop manuals 0 charade owners manuals and 1 miscellaneous daihatsu charade downloads our most popular manual is the daihatsu charade service repair manual workshop pdf

daihatsu charade g200 2000 factory service repair manual - Dec 07 2022

web this daihatsu charade g200 2000 factory service repair manual ca034718 provides detailed instructions and step by step diagrams for all workshop procedures making it an essential resource for the owner or mechanic

daihatsu charade g11 1983 1987 free pdf factory service manual - Aug 03 2022

web charade engine service rebuild manual rebuild manual for the charade 3 cylinder engines engine codes cb23 cb60 cb70 and cb80 download free pdf manuals for the daihatsu charade g11 1983 1987 factory service manual repair

daihatsu charade free workshop and repair manuals - Sep 16 2023

web daihatsu charade workshop repair and owners manuals for all years and models free pdf download for thousands of cars and trucks

daihatsu charade cb 80 engine service repair workshop manual - Feb 26 2022

web this daihatsu charade cb 80 engine service repair workshop manual is the perfect resource for anyone who needs to service and repair their daihatsu charade cb 80 engine this manual contains all the information needed to perform maintenance repairs and troubleshooting for the engine

daihatsu charade service repair manuals on motor era - May 12 2023

web complete list of daihatsu charade auto service repair manuals 1977 1983 daihatsu charade g10 factory service repair manual 1978 1979 1980 1981 1982 daihatsu charade g10 1979 factory service repair manual daihatsu charade g10 all models covered 1977 1983 service

daihatsu charade service repair manuals free pdf - Jun 13 2023

web daihatsu charade service repair manual this workshop manual contains essential information regarding the construction disassembly reassembly procedures and servicing methods of the power train suspension brake system steering system body and