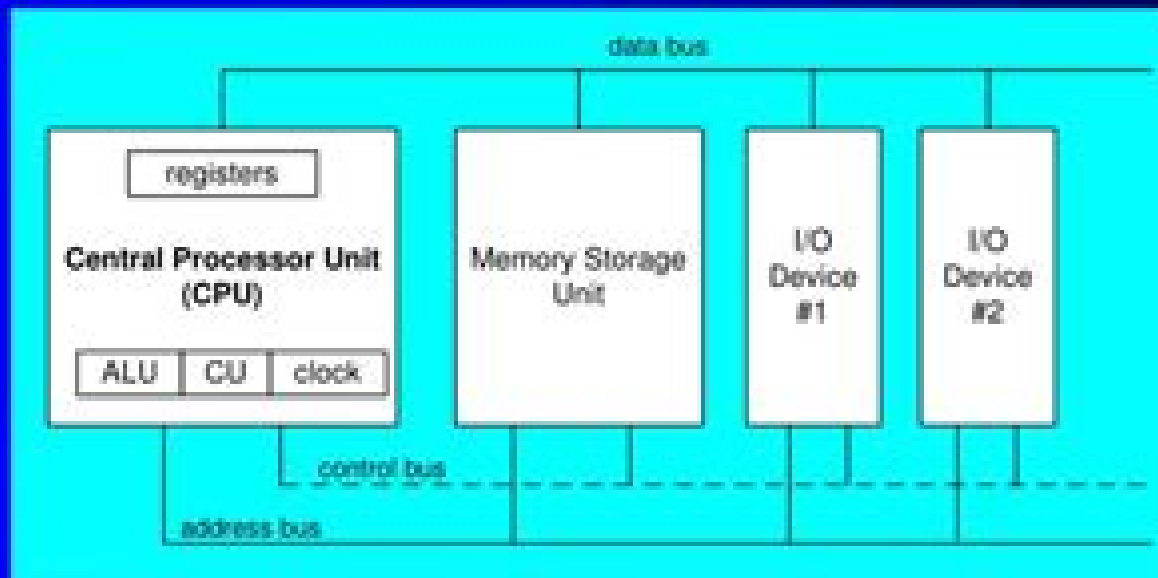


# Basic Microcomputer Design

- clock synchronizes CPU operations
- control unit (CU) coordinates sequence of execution steps
- ALU performs arithmetic and bitwise processing



# Microcomputer Design

**M Tight**



## **Microcomputer Design:**

If you are craving such a referred **Microcomputer Design** ebook that will offer you worth, acquire the certainly best seller from us currently from several preferred authors. If you desire to hilarious books, lots of novels, tale, jokes, and more fictions collections are after that launched, from best seller to one of the most current released.

You may not be perplexed to enjoy every books collections Microcomputer Design that we will unconditionally offer. It is not in relation to the costs. Its roughly what you obsession currently. This Microcomputer Design, as one of the most full of zip sellers here will unconditionally be accompanied by the best options to review.

[https://www.staging.gilderlehrman.org/files/Resources/default.aspx/affordable\\_way\\_to\\_automate\\_dropshipping\\_with\\_ai\\_that\\_actually\\_works\\_batch4\\_880.pdf](https://www.staging.gilderlehrman.org/files/Resources/default.aspx/affordable_way_to_automate_dropshipping_with_ai_that_actually_works_batch4_880.pdf)

## **Table of Contents Microcomputer Design**

1. Understanding the eBook Microcomputer Design
  - The Rise of Digital Reading Microcomputer Design
  - Advantages of eBooks Over Traditional Books
2. Identifying Microcomputer Design
  - Exploring Different Genres
  - Considering Fiction vs. Non-Fiction
  - Determining Your Reading Goals
3. Choosing the Right eBook Platform
  - Popular eBook Platforms
  - Features to Look for in an Microcomputer Design
  - User-Friendly Interface
4. Exploring eBook Recommendations from Microcomputer Design
  - Personalized Recommendations
  - Microcomputer Design User Reviews and Ratings
  - Microcomputer Design and Bestseller Lists

5. Accessing Microcomputer Design Free and Paid eBooks
  - Microcomputer Design Public Domain eBooks
  - Microcomputer Design eBook Subscription Services
  - Microcomputer Design Budget-Friendly Options
6. Navigating Microcomputer Design eBook Formats
  - ePub, PDF, MOBI, and More
  - Microcomputer Design Compatibility with Devices
  - Microcomputer Design Enhanced eBook Features
7. Enhancing Your Reading Experience
  - Adjustable Fonts and Text Sizes of Microcomputer Design
  - Highlighting and Note-Taking Microcomputer Design
  - Interactive Elements Microcomputer Design
8. Staying Engaged with Microcomputer Design
  - Joining Online Reading Communities
  - Participating in Virtual Book Clubs
  - Following Authors and Publishers Microcomputer Design
9. Balancing eBooks and Physical Books Microcomputer Design
  - Benefits of a Digital Library
  - Creating a Diverse Reading Collection Microcomputer Design
10. Overcoming Reading Challenges
  - Dealing with Digital Eye Strain
  - Minimizing Distractions
  - Managing Screen Time
11. Cultivating a Reading Routine Microcomputer Design
  - Setting Reading Goals Microcomputer Design
  - Carving Out Dedicated Reading Time
12. Sourcing Reliable Information of Microcomputer Design
  - Fact-Checking eBook Content of Microcomputer Design
  - Distinguishing Credible Sources
13. Promoting Lifelong Learning

- Utilizing eBooks for Skill Development
  - Exploring Educational eBooks
14. Embracing eBook Trends
- Integration of Multimedia Elements
  - Interactive and Gamified eBooks

### **Microcomputer Design Introduction**

In today's digital age, the availability of Microcomputer Design books and manuals for download has revolutionized the way we access information. Gone are the days of physically flipping through pages and carrying heavy textbooks or manuals. With just a few clicks, we can now access a wealth of knowledge from the comfort of our own homes or on the go. This article will explore the advantages of Microcomputer Design books and manuals for download, along with some popular platforms that offer these resources. One of the significant advantages of Microcomputer Design books and manuals for download is the cost-saving aspect. Traditional books and manuals can be costly, especially if you need to purchase several of them for educational or professional purposes. By accessing Microcomputer Design versions, you eliminate the need to spend money on physical copies. This not only saves you money but also reduces the environmental impact associated with book production and transportation. Furthermore, Microcomputer Design books and manuals for download are incredibly convenient. With just a computer or smartphone and an internet connection, you can access a vast library of resources on any subject imaginable. Whether you're a student looking for textbooks, a professional seeking industry-specific manuals, or someone interested in self-improvement, these digital resources provide an efficient and accessible means of acquiring knowledge. Moreover, PDF books and manuals offer a range of benefits compared to other digital formats. PDF files are designed to retain their formatting regardless of the device used to open them. This ensures that the content appears exactly as intended by the author, with no loss of formatting or missing graphics. Additionally, PDF files can be easily annotated, bookmarked, and searched for specific terms, making them highly practical for studying or referencing. When it comes to accessing Microcomputer Design books and manuals, several platforms offer an extensive collection of resources. One such platform is Project Gutenberg, a nonprofit organization that provides over 60,000 free eBooks. These books are primarily in the public domain, meaning they can be freely distributed and downloaded. Project Gutenberg offers a wide range of classic literature, making it an excellent resource for literature enthusiasts. Another popular platform for Microcomputer Design books and manuals is Open Library. Open Library is an initiative of the Internet Archive, a non-profit organization dedicated to digitizing cultural artifacts and making them accessible to the public. Open Library hosts millions of books, including both public domain works and contemporary titles. It also allows users to borrow digital copies of certain books for a limited

period, similar to a library lending system. Additionally, many universities and educational institutions have their own digital libraries that provide free access to PDF books and manuals. These libraries often offer academic texts, research papers, and technical manuals, making them invaluable resources for students and researchers. Some notable examples include MIT OpenCourseWare, which offers free access to course materials from the Massachusetts Institute of Technology, and the Digital Public Library of America, which provides a vast collection of digitized books and historical documents. In conclusion, Microcomputer Design books and manuals for download have transformed the way we access information. They provide a cost-effective and convenient means of acquiring knowledge, offering the ability to access a vast library of resources at our fingertips. With platforms like Project Gutenberg, Open Library, and various digital libraries offered by educational institutions, we have access to an ever-expanding collection of books and manuals. Whether for educational, professional, or personal purposes, these digital resources serve as valuable tools for continuous learning and self-improvement. So why not take advantage of the vast world of Microcomputer Design books and manuals for download and embark on your journey of knowledge?

### FAQs About Microcomputer Design Books

1. Where can I buy Microcomputer Design books? Bookstores: Physical bookstores like Barnes & Noble, Waterstones, and independent local stores. Online Retailers: Amazon, Book Depository, and various online bookstores offer a wide range of books in physical and digital formats.
2. What are the different book formats available? Hardcover: Sturdy and durable, usually more expensive. Paperback: Cheaper, lighter, and more portable than hardcovers. E-books: Digital books available for e-readers like Kindle or software like Apple Books, Kindle, and Google Play Books.
3. How do I choose a Microcomputer Design book to read? Genres: Consider the genre you enjoy (fiction, non-fiction, mystery, sci-fi, etc.). Recommendations: Ask friends, join book clubs, or explore online reviews and recommendations. Author: If you like a particular author, you might enjoy more of their work.
4. How do I take care of Microcomputer Design books? Storage: Keep them away from direct sunlight and in a dry environment. Handling: Avoid folding pages, use bookmarks, and handle them with clean hands. Cleaning: Gently dust the covers and pages occasionally.
5. Can I borrow books without buying them? Public Libraries: Local libraries offer a wide range of books for borrowing. Book Swaps: Community book exchanges or online platforms where people exchange books.

6. How can I track my reading progress or manage my book collection? Book Tracking Apps: Goodreads, LibraryThing, and Book Catalogue are popular apps for tracking your reading progress and managing book collections. Spreadsheets: You can create your own spreadsheet to track books read, ratings, and other details.
7. What are Microcomputer Design audiobooks, and where can I find them? Audiobooks: Audio recordings of books, perfect for listening while commuting or multitasking. Platforms: Audible, LibriVox, and Google Play Books offer a wide selection of audiobooks.
8. How do I support authors or the book industry? Buy Books: Purchase books from authors or independent bookstores. Reviews: Leave reviews on platforms like Goodreads or Amazon. Promotion: Share your favorite books on social media or recommend them to friends.
9. Are there book clubs or reading communities I can join? Local Clubs: Check for local book clubs in libraries or community centers. Online Communities: Platforms like Goodreads have virtual book clubs and discussion groups.
10. Can I read Microcomputer Design books for free? Public Domain Books: Many classic books are available for free as they're in the public domain. Free E-books: Some websites offer free e-books legally, like Project Gutenberg or Open Library.

### **Find Microcomputer Design :**

*affordable way to automate dropshipping with AI that actually works* BATCH4-880

*without experience how to generate leads using AI in 2026* BATCH4-950

*easy method to write blog posts using AI for content creators* BATCH4-878

**easy method to offer AI services to clients with free tools** BATCH4-529

*without experience how to use AI for lead generation for content creators* BATCH4-545

*without experience how to use AI for small business without paid ads* BATCH4-734

*easy method to use AI for YouTube automation for beginners* BATCH4-2123

*low budget way to sell AI generated art that actually works* BATCH4-596

**complete beginner guide to create faceless YouTube channel with AI for small business owners** BATCH4-1269

*step by step guide to build website using AI for small business owners* BATCH4-955

*complete beginner guide to write blog posts using AI without paid ads* BATCH4-1827

**how to automate customer service with AI organically** BATCH4-1436

*step by step guide to build AI automation agency without paid ads* BATCH4-597

[best way to use AI for small business for content creators BATCH4-988](#)

**complete beginner guide to start AI consulting business in 2026 BATCH4-1535**

## Microcomputer Design :

**spare parts for engine lombardini im 350 gdn industries** - Oct 04 2022

web apr 7 2019 lombardini im350 parts catalog is the most complete and official manual which includes complete solutions for repairing and maintenance the lombardini tractor

*lombardini im series workshop manual pdf* - Jun 12 2023

web lombardini engine im 350 request for quotation lombardini engine im 350 air cooled n 5 9 kw 8 hp na 5 1 kw 7 hp 1 cylinder 4000 rpm 349 cm3 20 1 2000

**lombardini engine spare parts model im350 asvarta** - May 31 2022

web spare parts kohler kohler sdmo engines lombardini spare parts lombardini lombardini marine spare parts ruggerini lombardini engines model im350

**lombardini im 350 manuals and user guides engine manuals** - Jul 01 2022

web jan 20 2023 by michel 88 20 01 2023 0 comment lombardini engines owner s service and maintenance manuals spare parts manuals catalogues wiring diagrams

**global small gas engines market 2023 2032 rising demand** - Jan 27 2022

[im350 lombardini engine asvarta](#) - Mar 29 2022

web 21 hours ago lombardini srl in depth analysis and strategic insights the small gas engines market report serves as a beacon of insight offering readers a thorough

*intermotor engines kohler power* - Dec 06 2022

web parts controls carburetion engine lombardini im 350 gdn industries home engines lombardini im 350 controls carburetion

**lombardini im350 benzinli motor yedek parça saçar makina** - Mar 09 2023

web data sheet cylinders 1 bore 70 mm im 250 76 mm im 300 82 mm im 350 stroke

[lombardini im350 parts manual for benzin engine](#) - Aug 02 2022

web lombardini engine spare parts model im350 there are 14 products check out our online store and you can buy spare parts for engines lombardini im350 at the best price

**lombardini engines service repair and operation manuals pdf** - Apr 29 2022

web mar 20 2023 find many great new used options and get the best deals for lombardini intermotor im350 engine seals at the best online prices at ebay

[i m 350 lombardini engine part data for rebuilders and](#) - Sep 03 2022

web brands lombardini manuals engine lombardini im 350 lombardini im 350 manuals user guides user manuals guides and specifications for your lombardini im 350

[lombardini im350 parts catalogue pdf piston carburateur](#) - Jan 07 2023

web caractéristiques du ch395 à retrouver dans la liste des moteurs kohler voir les pièces détachées moteur lombardini im 350 essence ajouter à mon devis préparation

[im 350 lombardini engine im 350 lombardini engine spare](#) - May 11 2023

web one of those is the im350 often called the world s best engine also a liquid cooled gasoline engine of 20hp remains in production lombardini being part of kohler group

[engine lombardini im 350 gasoline gdn industries](#) - Aug 14 2023

web engine lombardini im 350 gasoline reliable robust guaranteed for 2 years sold and distributed by gdn industries

[lombardini s r l wikipedia](#) - Apr 10 2023

web lombardini markalı im350 modeli benzinli motorunuz İçin yedek parça ve servis bakım Ürünleri

**moteur lombardini im 350 essence gdn industries** - Nov 05 2022

web in many cases because of the historic content of the system the information is twice the volume of the present manufacturers catalogs at present the system is maintained by

[1 im kohler power](#) - Feb 08 2023

web engine 1im 350 drawing a intake and exhaust pos code description qty 1 7626 064 washer diam 8 25 2 2 7625 010 washer diam 8 1 3 7565 007 washer diam 8

**lombardini 1im 350 spare parts lombardini 1im 350** - Jul 13 2023

web view and download lombardini im series workshop manual online im series engine pdf manual download also for im 250 im 251 im 252 im 300 im 301 im 302 im 350 im

**lombardini intermotor im350 engine seals ebay** - Feb 25 2022

[forced literotica com](#) - Jan 07 2023

web sep 13 2023 taeha has an unhealthy obsession with his step brother sally wants to be abused while she is drunk former queen tina straps the seventh and largest dildo on

[forced stories wattpad](#) - May 31 2022

web 1 she s mine by aaliyah lawal 24 8k 290 30 how did my life end up like this he slapped me across the face again his slaps really stung there was no way in hell i was going to

[home invasion literotica com](#) - Aug 14 2023

web feb 8 2008 angela ravished in home invasion husband watches wife be abused a family of four is captured by four brutal burglars pretty school teacher is surprised by home

[husband wife rape nonconsent reluctance literotica com](#) - Oct 04 2022

web carole and jim humped one another as the men behind them pushed their dicks all the way into their asses soon the men came and made the couple clean their dicks clean then

[forced sex literotica com](#) - Nov 05 2022

web aug 31 2023 home intruders find a new victim there s someone hiding in katerina s closet a woman s moral dilemma towards her lover the slaves are pleased and

**bp boss bernard looney quits after board misled over bbc** - Sep 22 2021

web 2 days ago meanwhile crispin odey was forced to step down from the hedge fund he founded in june after reports of sexual harassment allegations by 13 women he has

[innocent wife literotica com](#) - Feb 08 2023

web sep 6 2023 raylene s account of the night she lost her innocence a despicable coworker manipulates events to get mark s wife sex play in car escalates to more with truckers

**reluctant wife literotica com** - Aug 02 2022

web jul 29 2023 wife performs husbands ugly fantasy ruth seduces and defiles carmen reluctant wife succumbs to husband s sexual demands i go a little out of my way to visit

**free sex stories erotic stories xnxx com** - Nov 24 2021

web wife forced to be a whore 1 by aliveinpr friends and husband save wife from forced prostitution rated 90 8 read 122688 times posted sun 18th of february 2018

**forced stories page 2 published sex stories post** - Dec 26 2021

web the garage anonymous 4080 days ago on forced stories it was late at night and virginia was finally getting done and heading for home she took the elevator down to the parking

[forced wife literotica com](#) - May 11 2023

web oct 16 2020 the masseur and the thug film review then brenda visits abbey losing at craps lands her in a black man s hotel room a husband s wife sharing fantasy takes a

[the reluctant wife by heather lovins short story net](#) - Jan 27 2022

web dec 16 2008 by heather lovins in romantic drama december 16th 2008 15088 1h 15m 48313 4 1 prologue six months earlier charlotte was a woman in her prime

*youngkin pardons father of girl sexually assaulted at loudoun* - Aug 22 2021

web sep 10 2023 virginia gov glenn youngkin r pardoned a loudoun county father whose daughter had been sexually assaulted at school and whose arrest had sparked outrage

*dirty filthy and depraved nonconsent reluctance literotica* - Jun 12 2023

web when my vision cleared up more i saw my helpless wife struggling in the grips of a rough looking man towards the back of the dimly lit van she was sitting in between his legs on

**the president of a japanese boy band company resigns and** - Oct 24 2021

web sep 7 2023 tokyo ap the head of a powerful japanese talent agency resigned thursday and made an apology punctuated by repeated lengthy bows nine days after

**how i and hubby were forced nonconsent reluctance literotica** - Apr 10 2023

web i was conscious of being in a state where my vaginal muscles were no longer contracted enough to hinder penetration i saw that my husband had watched john enter me he

**literotica com sex stories nonconsent reluctance** - Sep 03 2022

web dec 26 2008 innocent wife kidnapped and forced into prostitution by wifelvrman 12 18 08 4 10 my time as a mexican whore ch 02 wife michelle is forced to fuck

[the party nonconsent reluctance literotica com](#) - Jul 01 2022

web my wife who was just lying recovering with steve still inside her slipped her right hand underneath me and to my shame i knew she was going to discover me hard erect

**forced explicit erotica adult hot sex stories shared** - Jun 19 2021

web jul 5 2021 forced explicit erotica adult hot sex stories shared swingers threesome wife husband sharing romance taboo mature married couple swapping interracial

**holly s home invasion chapter 1 default chapter a** - Mar 29 2022

web holly s home invasion chapter 1 default chapter a young adult fiction fictionpress holly s home invasion by ghostwriterxx a mother and daughter are brutally captured for

**forcing my wife nonconsent reluctance literotica com** - Jul 21 2021

web pulling my mouth off of her tit i released my hold on her wrist to see how she would react bring her arms down to her chest to either cover her breast or plea she quietly

[wife forced to be a whore nonconsent reluctance literotica](#) - Dec 06 2022

web i saw the embarrassment in her face as she was being forced to undress in front of these three strangers when she was totally naked they had her turn around bend over

*a housewife whose story nonconsent reluctance literotica* - Mar 09 2023

web 31 stories 355 followers this was the third thursday mike and i had gotten together each time in room 201 at the local no tell motel i was glad not to have a black light the

[the preacher s wife by unknown stories by](#) - Feb 25 2022

web sep 5 2018 the preacher s wife drove home to her small conservative town and dignified life she had committed adultery and felt extreme guilt but she was even more

*wife forced nonconsent reluctance literotica com* - Jul 13 2023

web she was in the parking lot on her way home from work but like always she d been forced to park ridiculously far from her store and now she had a knife pressed against her throat

**reluctant non consensual stories writersparadise com** - Apr 29 2022

web white wife forced against her will by anonymous 101 0 replies 25 6k views last post by anonymous 101 6 32 pm feb 04 mothers raped in front of her son watching tied to

**one night with the enemy abby green google books** - Jul 10 2022

web abby green spent her teens reading mills boon romances she then spent many years working in the film and tv industry as an assistant director one day while standing

*one night with the enemy by abby green goodreads* - May 20 2023

web december 10 2022 history edit an edition of one night with the enemy 2012 one night with the enemy by abby green 2 00 1 rating 10 want to read 0 currently

**editions of one night with the enemy by abby green goodreads** - Sep 12 2022

web aug 3 2012 one night with the enemy paperback 3 aug 2012 by abby green author 4 2 350 ratings see all formats and editions promotion message promotion

**one night with the enemy green abby 9780263236583** - Jul 22 2023

web sep 1 2012 one night with the enemy kindle edition by green abby contemporary romance kindle ebooks amazon com [one night with the enemy by abby green open library](#) - Apr 19 2023

web abby green abby green has been hooked on romantic stories ever since she was a little thing lying in bed making her aunt tell her over and over again about a prince and a

*one night with the enemy mills boon modern* - Mar 18 2023

web one night with the enemy ebook written by abby green read this book using google play books app on your pc android

ios devices download for offline reading

**one night with the enemy by abby green goodreads** - Sep 24 2023

web nov 1 2012 530 ratings 51 reviews in argentina s breathtaking vineyards nicolás de rojas and madalena vasquez had a stolen affair amongst the mendozan vineyards

**one night with the enemy 2012 edition open library** - Jan 04 2022

web sep 1 2012 one night with the enemy ebook by abby green read a sample sign up to save your library with an overdrive account you can save your favorite libraries for

**one night with the enemy kindle edition by green** - Aug 23 2023

web books romance contemporary select delivery location see all buying options have one to sell sell on amazon see clubs not in a club learn more roll over image to zoom in

*one night with the enemy by abby green overdrive* - Dec 03 2021

web nicolas de rojas and madalena vasquez had a stolen affair amongst the mendonzan vineyards until maddie discovered a devastating secret about nic and left without

one night with the enemy by abby green overdrive - Apr 07 2022

web read one night with enemy by abby green with a free trial read millions of ebooks and audiobooks on the web ipad iphone and android

*one night with the enemy mills boon modern kindle edition* - Jun 09 2022

web may 15 2019 one night with the enemy ebook by abby green read a sample sign up to save your library with an overdrive account you can save your favorite libraries for

one night with the enemy mills boon modern abby green - Nov 14 2022

web 6 ratings unavailable in your country about this ebook nicolas de rojas and madalena vasquez had a stolen affair amongst the mendozan vineyards until maddie discovered

*one night with the enemy abby green google books* - Nov 02 2021

*one night with enemy by abby green ebook barnes noble* - Jan 16 2023

web one night with the enemy mills boon modern ebook written by abby green read this book using google play books app on your pc android ios devices download for

one night with the enemy abby green Литрес - Feb 05 2022

web one night with the enemy by abby green 2012 harlequin uk edition

**one night with the enemy kindle edition by green abby** - Jun 21 2023

web one night with the enemy book read 51 reviews from the world s largest community for readers in argentina s breathtaking vineyards nicolás de rojas a

**one night with the enemy amazon co uk abby green** - Aug 11 2022

web one night with the enemy abby green google books in argentina s breathtaking vineyards nicolás de rojas and madalena vasquez had a stolen affair amongst the

*one night with the enemy by abby green books on google play* - Feb 17 2023

web oct 10 2023 product details about the author product details about the author abby green spent her teens reading mills boon romances she then spent many years

**one night with the enemy mills boon modern google play** - Dec 15 2022

web one night with the enemy mills boon modern abby green harpercollins publishers aug 1 2012 fiction 192 pages 0 reviews reviews aren t verified but google checks

**one night with the enemy by abby green ebook scribd** - Oct 13 2022

web editions for one night with the enemy ebook published in 2012 kindle edition published in 2012 kindle edition published in 2014 0263891011 pap

**one night with the enemy by abby green overdrive** - May 08 2022

web aug 1 2012 one night with the enemy ebook by abby green read a sample sign up to save your library format ebook isbn 9780263891010 author abby green

*one night with enemy by abby green ebook scribd* - Mar 06 2022

web in litres digital library you can download the book one night with the enemy by abby green read reviews of the book and write your own at litres litres search please