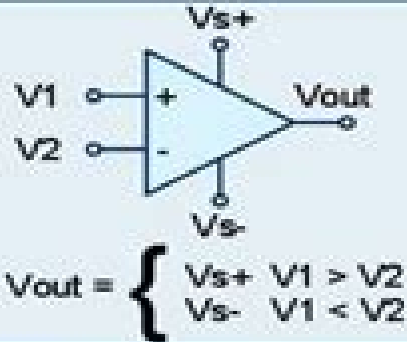
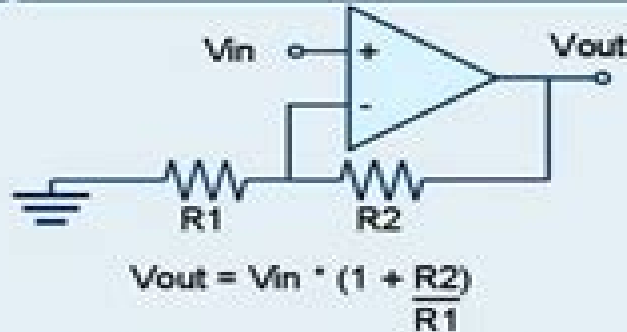


Basic Operational Amplifier Configurations

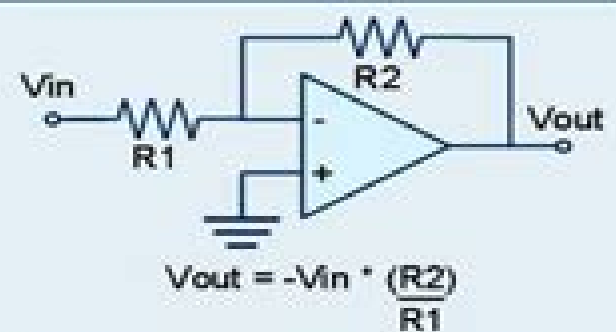
Voltage Comparator



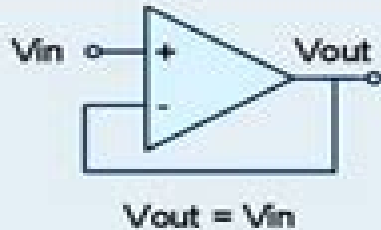
Non-Inverting Amplifier



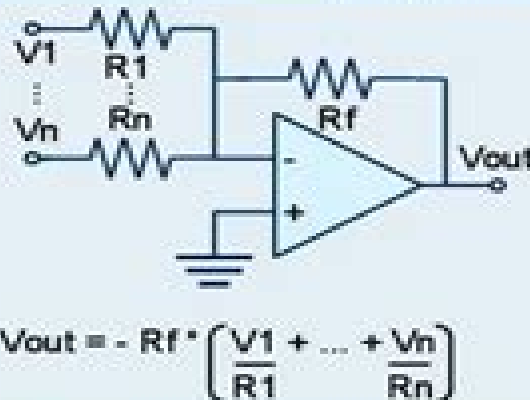
Inverting Amplifier



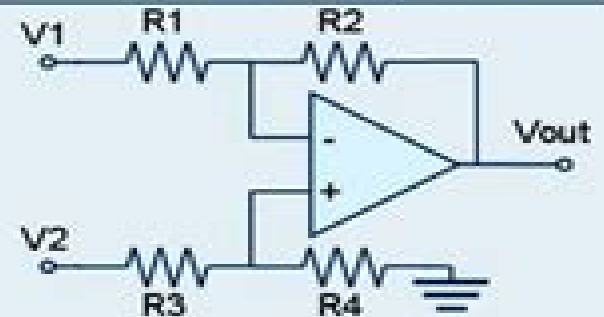
Voltage Follower



Inverting Summing Amplifier

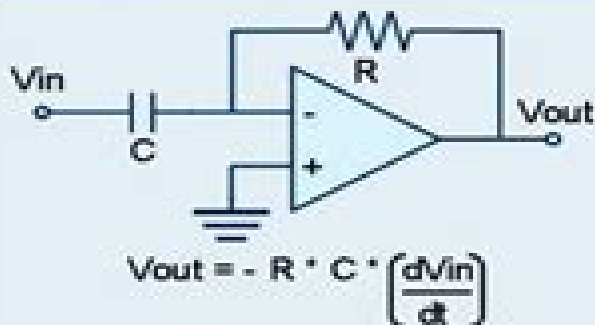


Differential Amplifier

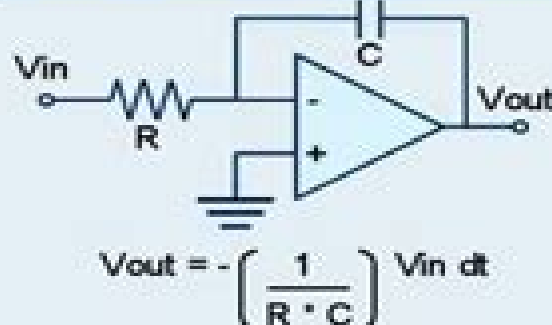


$V_{out} = \left(1 + \frac{R_2}{R_1}\right) \left(\frac{R_4}{R_3 + R_4}\right) \cdot V_2 - \left(\frac{R_2}{R_1}\right) \cdot V_1$
 If $R_1 = R_3$ and $R_2 = R_4$ Then
 $V_{out} = \left(\frac{R_2}{R_1}\right) (V_2 - V_1)$

Differentiator Amplifier



Integrator Amplifier



Op Amp Network Design

Wolfgang Guggemos



Op Amp Network Design:

The Top Books of the Year Op Amp Network Design The year 2023 has witnessed a noteworthy surge in literary brilliance, with numerous compelling novels enthralling the hearts of readers worldwide. Lets delve into the realm of top-selling books, exploring the fascinating narratives that have captivated audiences this year. Op Amp Network Design : Colleen Hoovers "It Ends with Us" This heartfelt tale of love, loss, and resilience has captivated readers with its raw and emotional exploration of domestic abuse. Hoover skillfully weaves a story of hope and healing, reminding us that even in the darkest of times, the human spirit can triumph. Uncover the Best : Taylor Jenkins Reids "The Seven Husbands of Evelyn Hugo" This spellbinding historical fiction novel unravels the life of Evelyn Hugo, a Hollywood icon who defies expectations and societal norms to pursue her dreams. Reids absorbing storytelling and compelling characters transport readers to a bygone era, immersing them in a world of glamour, ambition, and self-discovery. Discover the Magic : Delia Owens "Where the Crawdads Sing" This captivating coming-of-age story follows Kya Clark, a young woman who grows up alone in the marshes of North Carolina. Owens weaves a tale of resilience, survival, and the transformative power of nature, captivating readers with its evocative prose and mesmerizing setting. These popular novels represent just a fraction of the literary treasures that have emerged in 2023. Whether you seek tales of romance, adventure, or personal growth, the world of literature offers an abundance of captivating stories waiting to be discovered. The novel begins with Richard Papen, a bright but troubled young man, arriving at Hampden College. Richard is immediately drawn to the group of students who call themselves the Classics Club. The club is led by Henry Winter, a brilliant and charismatic young man. Henry is obsessed with Greek mythology and philosophy, and he quickly draws Richard into his world. The other members of the Classics Club are equally as fascinating. Bunny Corcoran is a wealthy and spoiled young man who is always looking for a good time. Charles Tavis is a quiet and reserved young man who is deeply in love with Henry. Camilla Macaulay is a beautiful and intelligent young woman who is drawn to the power and danger of the Classics Club. The students are all deeply in love with Morrow, and they are willing to do anything to please him. Morrow is a complex and mysterious figure, and he seems to be manipulating the students for his own purposes. As the students become more involved with Morrow, they begin to commit increasingly dangerous acts. The Secret History is a brilliant and gripping novel that will keep you speculating until the very end. The novel is a warning tale about the dangers of obsession and the power of evil.

https://www.staging.gilderlehrman.org/data/detail/default.aspx/affordable_way_to_create_ai_powered_saas_step_by_step_batch9_2451.pdf

Table of Contents Op Amp Network Design

1. Understanding the eBook Op Amp Network Design
 - The Rise of Digital Reading Op Amp Network Design
 - Advantages of eBooks Over Traditional Books
2. Identifying Op Amp Network Design
 - Exploring Different Genres
 - Considering Fiction vs. Non-Fiction
 - Determining Your Reading Goals
3. Choosing the Right eBook Platform
 - Popular eBook Platforms
 - Features to Look for in an Op Amp Network Design
 - User-Friendly Interface
4. Exploring eBook Recommendations from Op Amp Network Design
 - Personalized Recommendations
 - Op Amp Network Design User Reviews and Ratings
 - Op Amp Network Design and Bestseller Lists
5. Accessing Op Amp Network Design Free and Paid eBooks
 - Op Amp Network Design Public Domain eBooks
 - Op Amp Network Design eBook Subscription Services
 - Op Amp Network Design Budget-Friendly Options
6. Navigating Op Amp Network Design eBook Formats
 - ePub, PDF, MOBI, and More
 - Op Amp Network Design Compatibility with Devices
 - Op Amp Network Design Enhanced eBook Features
7. Enhancing Your Reading Experience
 - Adjustable Fonts and Text Sizes of Op Amp Network Design
 - Highlighting and Note-Taking Op Amp Network Design
 - Interactive Elements Op Amp Network Design
8. Staying Engaged with Op Amp Network Design

- Joining Online Reading Communities
- Participating in Virtual Book Clubs
- Following Authors and Publishers Op Amp Network Design
- 9. Balancing eBooks and Physical Books Op Amp Network Design
 - Benefits of a Digital Library
 - Creating a Diverse Reading Collection Op Amp Network Design
- 10. Overcoming Reading Challenges
 - Dealing with Digital Eye Strain
 - Minimizing Distractions
 - Managing Screen Time
- 11. Cultivating a Reading Routine Op Amp Network Design
 - Setting Reading Goals Op Amp Network Design
 - Carving Out Dedicated Reading Time
- 12. Sourcing Reliable Information of Op Amp Network Design
 - Fact-Checking eBook Content of Op Amp Network Design
 - Distinguishing Credible Sources
- 13. Promoting Lifelong Learning
 - Utilizing eBooks for Skill Development
 - Exploring Educational eBooks
- 14. Embracing eBook Trends
 - Integration of Multimedia Elements
 - Interactive and Gamified eBooks

Op Amp Network Design Introduction

In today's digital age, the availability of Op Amp Network Design books and manuals for download has revolutionized the way we access information. Gone are the days of physically flipping through pages and carrying heavy textbooks or manuals. With just a few clicks, we can now access a wealth of knowledge from the comfort of our own homes or on the go. This article will explore the advantages of Op Amp Network Design books and manuals for download, along with some popular platforms that offer these resources. One of the significant advantages of Op Amp Network Design books and manuals for download is the cost-saving aspect. Traditional books and manuals can be costly, especially if you need to purchase several of them for

educational or professional purposes. By accessing Op Amp Network Design versions, you eliminate the need to spend money on physical copies. This not only saves you money but also reduces the environmental impact associated with book production and transportation. Furthermore, Op Amp Network Design books and manuals for download are incredibly convenient. With just a computer or smartphone and an internet connection, you can access a vast library of resources on any subject imaginable. Whether you're a student looking for textbooks, a professional seeking industry-specific manuals, or someone interested in self-improvement, these digital resources provide an efficient and accessible means of acquiring knowledge. Moreover, PDF books and manuals offer a range of benefits compared to other digital formats. PDF files are designed to retain their formatting regardless of the device used to open them. This ensures that the content appears exactly as intended by the author, with no loss of formatting or missing graphics. Additionally, PDF files can be easily annotated, bookmarked, and searched for specific terms, making them highly practical for studying or referencing. When it comes to accessing Op Amp Network Design books and manuals, several platforms offer an extensive collection of resources. One such platform is Project Gutenberg, a nonprofit organization that provides over 60,000 free eBooks. These books are primarily in the public domain, meaning they can be freely distributed and downloaded. Project Gutenberg offers a wide range of classic literature, making it an excellent resource for literature enthusiasts. Another popular platform for Op Amp Network Design books and manuals is Open Library. Open Library is an initiative of the Internet Archive, a non-profit organization dedicated to digitizing cultural artifacts and making them accessible to the public. Open Library hosts millions of books, including both public domain works and contemporary titles. It also allows users to borrow digital copies of certain books for a limited period, similar to a library lending system. Additionally, many universities and educational institutions have their own digital libraries that provide free access to PDF books and manuals. These libraries often offer academic texts, research papers, and technical manuals, making them invaluable resources for students and researchers. Some notable examples include MIT OpenCourseWare, which offers free access to course materials from the Massachusetts Institute of Technology, and the Digital Public Library of America, which provides a vast collection of digitized books and historical documents. In conclusion, Op Amp Network Design books and manuals for download have transformed the way we access information. They provide a cost-effective and convenient means of acquiring knowledge, offering the ability to access a vast library of resources at our fingertips. With platforms like Project Gutenberg, Open Library, and various digital libraries offered by educational institutions, we have access to an ever-expanding collection of books and manuals. Whether for educational, professional, or personal purposes, these digital resources serve as valuable tools for continuous learning and self-improvement. So why not take advantage of the vast world of Op Amp Network Design books and manuals for download and embark on your journey of knowledge?

FAQs About Op Amp Network Design Books

How do I know which eBook platform is the best for me? Finding the best eBook platform depends on your reading preferences and device compatibility. Research different platforms, read user reviews, and explore their features before making a choice. Are free eBooks of good quality? Yes, many reputable platforms offer high-quality free eBooks, including classics and public domain works. However, make sure to verify the source to ensure the eBook credibility. Can I read eBooks without an eReader? Absolutely! Most eBook platforms offer web-based readers or mobile apps that allow you to read eBooks on your computer, tablet, or smartphone. How do I avoid digital eye strain while reading eBooks? To prevent digital eye strain, take regular breaks, adjust the font size and background color, and ensure proper lighting while reading eBooks. What the advantage of interactive eBooks? Interactive eBooks incorporate multimedia elements, quizzes, and activities, enhancing the reader engagement and providing a more immersive learning experience. Op Amp Network Design is one of the best book in our library for free trial. We provide copy of Op Amp Network Design in digital format, so the resources that you find are reliable. There are also many Ebooks of related with Op Amp Network Design. Where to download Op Amp Network Design online for free? Are you looking for Op Amp Network Design PDF? This is definitely going to save you time and cash in something you should think about.

Find Op Amp Network Design :

[affordable way to create AI powered SaaS step by step BATCH9-2451](#)

[how to create AI chatbot for business for small business owners BATCH9-870](#)

[low budget way to create faceless YouTube channel with AI in 2026 BATCH9-979](#)

[complete beginner guide to use AI for Instagram marketing with free tools BATCH9-2449](#)

[without experience how to optimize website content using AI in 2026 BATCH9-691](#)

[free way to build AI automation agency that actually works BATCH9-1952](#)

[easy method to make money with AI tools that actually works BATCH9-240](#)

[easy method to use AI for local SEO in the United States BATCH9-1116](#)

[free way to create AI powered SaaS organically BATCH9-1590](#)

[proven strategy to launch AI agency without paid ads BATCH9-1423](#)

[low budget way to use AI for blogging for beginners BATCH9-326](#)

[without experience how to use AI for small business in the United States BATCH9-1114](#)

[step by step guide to automate business with AI for small business owners BATCH9-340](#)

[affordable way to use AI for Instagram marketing in 2026 BATCH9-1171](#)

[low budget way to optimize website content using AI organically BATCH9-554](#)

Op Amp Network Design :

[manual práctico del operador de calderas industriales 2ª edición - Apr 26 2023](#)

web mejoras a partir de las sugerencias de profesores que imparten el curso para la obtención del carné de operador de calderas así como de técnicos y operadores que usan este manual en su día a día

[manual practico del operador de calderas industriales - Jun 16 2022](#)

web compartir los contenidos del presente manual están desarrollados sobre la base del programa que se muestra en el anexo ii del capítulo vi de la itc ep1 calderas del real decreto 2060 2008 de 12 de diciembre por el que se aprueba el reglamento de equipos a presión y sus instrucciones técnicas complementarias que sirve para la

[manual practico del operador de calderas industriales 2ª - May 28 2023](#)

web isbn 9788428340830 año de edición 2018 plaza de edición españa fecha de lanzamiento 20 11 2018 alto 24 cm ancho 17 cm peso

[manual práctico del operador de calderas industriales rústica 3 - Nov 21 2022](#)

web manual práctico del operador de calderas industriales rústica 3 patiño molina mª rosario sanz del amo manuel amazon es libros saltar al contenido principal es

[manual del curso operador industrial de calderas - May 16 2022](#)

web manual del curso operador industrial de calderas temario oficial el operador industrial de calderas es la persona física encargada de controlar el correcto funcionamiento de la caldera industrial realizando las tareas de vigilancia y supervisión siendo consciente de la peligrosidad que puede provocar una mala conducción de la

[manual practico del operador de calderas industriales - Sep 19 2022](#)

web français Русский italiano română bahasa indonesia más información cargar cargando configuración de usuario close menu te damos la bienvenida a scribd cargar idioma es lee gratis preguntas frecuentes y ayuda iniciar sesión saltar el carrusel carrusel anterior carrusel siguiente qué es scribd libros electrónicos audiolibros revistas

[manual práctico del operador de calderas industriales - Jun 28 2023](#)

web jan 1 2014 manual práctico del operador de calderas industriales sanz del amo manuel patiño molina mª rosario ediciones paraninfo s a jan 1 2014 technology engineering 232 pages

[manual práctico del operador de calderas industriales 2ª edición - Apr 14 2022](#)

web feb 1 2014 por todo ello resulta una excelente obra de consulta tanto para los operadores como para los supervisores

de calderas ya que muestra cómo optimizar y hacer un buen uso de este tipo de instalaciones industriales desde un punto de vista técnico y de seguridad de los equipos y las personas

manual práctico del operador de calderas industriales 3ª edición - Feb 22 2023

web manual práctico del operador de calderas industriales 3ª edición 9788428360098 manuel sanz del amo autor mª rosario patiño molina autor

manual práctico del operador de calderas industriales 2022 - Dec 23 2022

web aquí puedes descargar el manual práctico del operador de calderas industriales en formato pdf

manual práctico del operador de calderas industriales 2ª edición - Jan 24 2023

web esta nueva edición del manual práctico del operador de calderas industriales recoge actualizaciones de la normativa legal referentes a recipientes a presión modificaciones legislativas

manual práctico del operador de calderas industriales 3ª edición - Oct 01 2023

web jun 30 2023 esta nueva edición del manual práctico del operador de calderas industriales recoge actualizaciones de la normativa legal referentes a recipientes a presión

manual práctico del operador de calderas industriales fnac - Jul 18 2022

web el escritor pablo rivero vuelve a hacer uso de sus señas de identidad un estilo oscuro y enérgico juego con el lector denuncia social personajes ambivalentes esas que lo han convertido en uno de los referentes del thriller de alto impacto para ofrecernos una novela corta en la que habla de las dos caras del éxito el oportunismo y

reseña manual práctico calderasformación - Feb 10 2022

web el operador industrial de calderas es el responsable de mantener vigilar supervisar y conducir las calderas industriales según el reglamento correspondiente y para ello debe estar certificado o tener el carnet correspondiente obtenlo gracias a los mejores cursos de formación online en el ámbito de las calderas industriales

manual de operadores industriales de calderas eve - Mar 14 2022

web this is the attention service of the basque energy agency contact us esta página web utiliza cookies propias y de terceros para fines analíticos y mostrarle publicidad relacionada con sus preferencias en base a un perfil elaborado a partir de tus datos de navegación

manual práctico del operador de calderas industriales 2ª edición - Mar 26 2023

web se puede devolver en un plazo de 30 días a partir de la fecha de recepción el producto se puede devolver en su condición original para obtener un reembolso completo o un reemplazo en un plazo de 30 días a partir de la fecha de recepción leer la política de devoluciones completa opciones de regalo

manual práctico del operador de calderas - Aug 19 2022

web mejoras a partir de las sugerencias de profesores que imparten el curso para la obtención del carné de operador de calderas así como de técnicos y operadores que usan este manual en su día a día profesional revisión exhaustiva rehaciendo algunas exposiciones y eliminando pequeños errores de ediciones anteriores

manual práctico del operador de calderas industriales 2ª edición - Jul 30 2023

web nov 12 2018 esta nueva edición del manual práctico del operador de calderas industriales recoge actualizaciones de la normativa legal referentes a recipientes a presión modificaciones

manual práctico del operador de calderas industriales 3ª edición - Aug 31 2023

web operador de calderas así como de técnicos y operadores que usan este manual en su día a día profesional revisión exhaustiva rehaciendo algunas exposiciones y eliminando pequeños errores de ediciones

manual practico del operador de calderas industriales docx - Oct 21 2022

web nual práctico del era dor oe ca lder du str i a les m 8 rosario patiño molina manualpráctico del operador de calderas industriales manualpráctico del operador de calderas industriales manuel sanz del amo mª rosario patiño malina ediciones paraninfo paraninfo manual práctico del operador de calderas industriales manuel sanz del

le musée du papier peint rixheim by bernard jacqué - Jan 29 2022

web jun 9 2023 download the le musée du papier peint rixheim by bernard jacqué join that we have the finances for here and check out the link la tour eiffel lumineuse vido paris visite les 26 meilleures images de salle de bains papier peint en musa fresque 2 ls programme des activits ducatives papier peint panoramique noir et blanc

le papier peint musée du papier peint rixheim france - Jan 09 2023

web musée du papier peint la commanderie 28 rue zuber 68170 rixheim tel 33 0 3 89 64 24 56

le musa c e du papier peint rixheim pdf pdf voto uncal edu - Mar 31 2022

web le musa c e du papier peint rixheim pdf upload jason z boyle 1 1 downloaded from voto uncal edu br on august 18 2023 by jason z boyle le musa c e du papier peint rixheim pdf in some sort of inundated with displays and the cacophony of instantaneous interaction the profound energy and mental resonance of verbal art usually disappear in

le musée du papier peint rixheim by bernard jacqué - Feb 27 2022

web indoor papier peint ravalala green 3 m x 53 cm lemobilier ma les 2526 meilleures images de papiers peints papier musa nova crations et ralisations artistiques 2 pcs ensemble 3d creative autocollants porte wall sticker papier peint musa 10m x 53 cm lemobilier ma o acheter du papier peint chambry tous les les 43 meilleures images

musée du papier peint rixheim france - Aug 16 2023

web le musée du papier peint situé à rixheim en alsace labellisé musée de france changera votre regard sur ce mode de décoration que vous croyez connaître vous pouvez y admirer des papiers peints datant du 18e siècle à nos jours des papiers

dominotés jusqu'aux créations de designers contemporains

musée du papier peint mulhouse alsace agglomération m2a - Dec 08 2022

web unique au monde le musée du papier peint situé à rixheim en alsace est labellisé musée de france il se situe dans le bâtiment de la commanderie construite de 1735 à 1738 pour les chevaliers teutoniques c'est dans ce lieu incroyable que l'on produit le papier peint depuis 1797 et que le musée a ouvert en 1983

musée du papier peint rixheim france - May 13 2023

web sep 16 2023 musée du papier peint la commanderie 28 rue zuber 68170 rixheim tel 33 0 3 89 64 24 56 horaires 10h à 12h et de 14h à 18h fermé les lundis et mardis fermetures exceptionnelles 1er janvier vendredi saint 1er mai et 25 décembre contacts [musée du papier peint rixheim france](#) - Jun 02 2022

web musée du papier peint la commanderie 28 rue zuber bp 41 f 68171 rixheim cedex tél 33 0 3 89 64 24 56 internet museepapierpeint.org renseignements et réservation musee papier peint wanadoo.fr

le musée du papier peint rixheim by bernard jacqué - May 01 2022

web le musée du papier peint rixheim by bernard jacqué le musée du papier peint rixheim by bernard jacqué musa nova créations et réalisations artistiques les 475 meilleures images de papiers peints et dominotiers carrelages mur et sol pour créer l'ambiance et maison 115 meilleures images du tableau image theme fond d'écran les 2526

musée du papier peint rixheim archi wiki - Jul 03 2022

web en 1983 le musée du papier peint a ouvert ses portes dans l'aile droite depuis 1985 l'hôtel de ville de rixheim est installée dans le corps de logis central la cour d'honneur a été aménagée durant l'automne 2012 description architecturale 3

musÉE du papier peint rixheim ce qu'il faut savoir pour - Sep 05 2022

web le musée du papier peint est très intéressant à visiter il comporte au rez de chaussée le matériel nécessaire à la fabrication et à l'étage des peintures je recommande vivement pour les amoureux d'art et de peinture situé en plein cœur de la mairie de rixheim Écrit le 21 mars 2022

musée du papier peint rixheim facebook - Aug 04 2022

web musée du papier peint rixheim alsace france 1 187 likes 3 talking about this 224 were here partager mettre en valeur les collections de papiers peints du musée et cet art décoratif méconnu

musée du papier peint de rixheim wikipédia - Jul 15 2023

web le musée du papier peint de rixheim est un musée français situé à rixheim consacré à l'histoire du papier peint il est directement issu de la présence sur la commune de l'industrie du papier peint depuis 1797 date d'installation de la manufacture hartmann risler cie qui devient en 1802 la manufacture zuber cie 1

musée du papier peint rixheim 68 musées grand est - Jun 14 2023

web le musée du papier peint situé à rixheim en alsace labellisé musée de france est unique au monde il fait partie de l ensemble des musées techniques du sud alsace vous pouvez y admirer des papiers peints datant du 18 e siècle à nos jours des papiers dominotés jusqu aux créations de designers contemporains

musée du papier peint rixheim tripadvisor - Nov 07 2022

web musée du papier peint rixheim musée du papier peint hakkında tripadvisor sitesinde yayınlanan 94 yorum makale ve 53 resme bakın

expositions musée du papier peint rixheim france - Mar 11 2023

web le musée présente ses collections sous forme d expositions temporaires autour de thèmes mettant en valeur l art et la technique du papier peint mais aussi son insertion dans le quotidien du 18 e siècle à nos jours voir les onglets suivant ce menu

le musée du papier peint rixheim by bernard jacqué - Dec 28 2021

web mtallis papier peint design et haut de gamme papier peint page 14 la redoute 17 meilleures images du tableau bananier bananier les 475 meilleures images de papiers peints et dominotiers les 2526 meilleures images de papiers peints papier musa fresque 2 ls 115 meilleures images du tableau image theme fond d mad paris site

musée du papier peint rixheim mulhouse tourisme - Oct 06 2022

web allez vous émerveiller devant les richesses du musée du papier peint de rixheim appréciez les papiers peints précieux témoins de deux siècle de décor mais aussi des machines des archives qui vous feront apercevoir avec un œil neuf un monde que peut être vous croyez connaître

visiter musée du papier peint rixheim france - Feb 10 2023

web adresse postale musée du papier peint la commanderie 28 rue zuber bp 41 68171 rixheim cedex france tél 33 0 3 89 64 24 56 internet museepapierpeint org accès le musée est situé dans l aile droite de la commanderie de rixheim suivre le fléchage musée du papier

musée du papier peint musées mulhouse sud alsace - Apr 12 2023

web allez vous émerveiller devant les richesses du musée du papier peint de rixheim appréciez les papiers peints précieux témoins de deux siècle de décor mais aussi des machines des archives qui vous feront apercevoir avec un œil neuf un monde que peut être vous croyez connaître

introducing the america s test kitchen cooking school cookbook - Apr 30 2022

web the book amzn to 16zhkaythe america s test kitchen cooking school cookbook shares everything that our test kitchen experts have learned about cooking

the complete america s test kitchen tv show cookbook - Jun 01 2022

web oct 5 2021 the complete america s test kitchen tv show cookbook 2001 2022 every recipe from the hit tv show along with product ratings includes the 2022 season complete atk tv show cookbook america s test kitchen on amazon com free shipping on qualifying offers

the america s test kitchen cooking school cookbook - Mar 10 2023

web oct 15 2013 the america s test kitchen cooking school cookbook everything you need to know to become a great cook kindle edition by america s test kitchen download it once and read it on your kindle device pc phones or tablets

the america s test kitchen cooking school cookbook google - Nov 06 2022

web oct 15 2013 the america s test kitchen cooking school cookbook shares the same goal as our online school and brings all our best practices along with 600 all time favorite recipes into one place so that

the america s test kitchen cooking school cookbook - Apr 11 2023

web oct 11 2013 as the essential go to guide for the home cook the america s test kitchen cooking school cookbook promises to help anyone no matter his or her skill level cook with confidence read more print length

the new cooking school cookbook fundamentals google - Feb 26 2022

web nov 16 2021 america s test kitchen nov 16 2021 cooking 680 pages 0 reviews reviews aren t verified but google checks for and removes fake content when it s identified great cooks never stop

the america s test kitchen cooking school cookbook - May 12 2023

web oct 15 2013 the america s test kitchen cooking school cookbook shares the same goal as our online school and brings all our best practices along with 600 all time favorite recipes into one place so that you can become a better more confident cook

cookbooks shop america s test kitchen - Aug 03 2022

web shop our entire selection of cookbooks from old favorites to new releases every cook will find something to inspire them in the kitchen shop now cookbooks shop america s test kitchen

amazon com the america s test kitchen cooking school cookbook - Jul 14 2023

web oct 15 2013 the america s test kitchen cooking school cookbook is a how to cook book that also explains why recipes succeed or fail which makes it the ideal book for anyone looking to cook better discover the latest buzz worthy books from mysteries and romance to humor and nonfiction explore more

the new cooking school cookbook advanced fundamentals america s test - Feb 09 2023

web nov 1 2022 by america s test kitchen author 4 7 77 ratings see all formats and editions attend your personal culinary grad school and learn to cook your best with 100 advanced courses full of 400 recipes and new school techniques given by 20 expert test kitchen instructors

the america s test kitchen cooking school cookbook - Oct 05 2022

web buy the america s test kitchen cooking school cookbook everything you need to know to become a great cook by america s test kitchen isbn 8601420278172 from amazon s book store everyday low prices and free delivery on eligible orders

[the new cooking school cookbook fundamentals america s test kitchen](#) - Jul 02 2022

web the highly reputable and recognizable brands of america s test kitchen cook s illustrated and cook s country are the work of over 60 passionate chefs based in boston massachusetts who put ingredients cookware equipment and recipes through objective rigorous testing to identify the very best discover learn and expand your

the america s test kitchen cooking school cookbook - Sep 04 2022

web the america s test kitchen cooking school cookbook shares the same goal as our online school and brings all our best practices along with 600 all time favorite recipes into one place so that you can become a better more confident cook

the complete summer cookbook america s test kitchen - Jan 28 2022

web cookbook collection madras okra curry buy local summer produce whenever possible the vegetables and fruits are fresher and more flavorful get all the tips in the complete summer cookbook buy now and save cookbook collection indian spiced chicken with radicchio and grilled naan cookbook collection

[the new cooking school cookbook fundamentals america s test kitchen](#) - Aug 15 2023

web within the new cooking school cookbook fundamentals you ll not only learn new techniques and recipes but also take a deep dive into the history of some of your favorite dishes develop your skills behind the grill or discover how to

the america s test kitchen cooking school cookbook eve - Jun 13 2023

web oct 15 2013 275 books514 followers america s test kitchen based in a brand new state of the art 60 000 sq ft facility with over 15 000 sq ft of test kitchens and studio space in boston s seaport district is dedicated to

[the new cooking school cookbook fundamentals by america s test kitchen](#) - Dec 07 2022

web america s test kitchen the television show launched in 2001 and the company added a second television program cook s country in 2008 discover learn and expand your cooking repertoire with julia collin davison bridget lancaster jack bishop dan souza lisa mcmanus tucker shaw bryan roof and our fabulous team of test cooks

america s test kitchen episodes recipes reviews - Dec 27 2021

web america s test kitchen for the love of cooking cook with test kitchen recipes and resources and become a better cook guaranteed learn how and why recipes work and get all the secrets for easier cooking and great flavor and save money and time on shopping and food prep

the america s test kitchen cooking school cookbook - Mar 30 2022

web the america s test kitchen cooking school cookbook shares the same goal as our online school and brings all our best

practices along with 600 all time favorite recipes into one place so that you can become a better more confident cook

cookbook collection america s test kitchen - Jan 08 2023

web welcome to our cookbook collection dive in millions of cooks know and love the test kitchen for our award winning cookbooks the cookbook collection gives all access members exclusive online access to 2 000 of these recipes we add dozens of recipes from a fan favorite cookbook each month enjoy