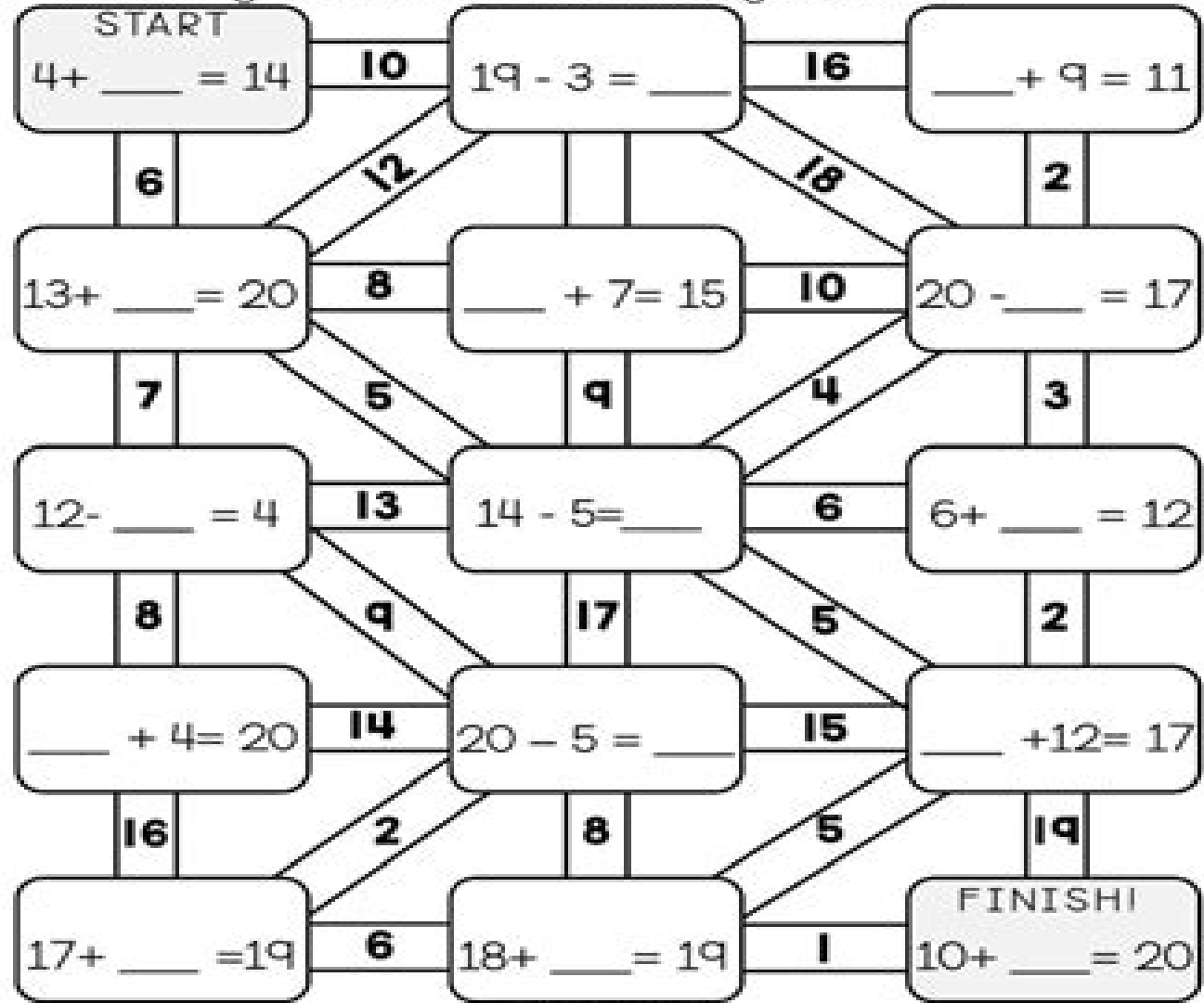


Name _____

MISSING NUMBERS MAZE

Directions: Complete the maze by solving each equation and coloring the line with the missing number.



Maths Mazes

Tobias Bleicker



Maths Mazes:

Immerse yourself in the artistry of words with Crafted by is expressive creation, **Maths Mazes** . This ebook, presented in a PDF format (Download in PDF: *), is a masterpiece that goes beyond conventional storytelling. Indulge your senses in prose, poetry, and knowledge. Download now to let the beauty of literature and artistry envelop your mind in a unique and expressive way.

https://www.staging.gilderlehrman.org/files/book-search/Download_PDFS/Low_Budget_Way_To_Start_AI_Consulting_Business_With_Free_Tools_BATCH47_804.pdf

Table of Contents Maths Mazes

1. Understanding the eBook Maths Mazes
 - The Rise of Digital Reading Maths Mazes
 - Advantages of eBooks Over Traditional Books
2. Identifying Maths Mazes
 - Exploring Different Genres
 - Considering Fiction vs. Non-Fiction
 - Determining Your Reading Goals
3. Choosing the Right eBook Platform
 - Popular eBook Platforms
 - Features to Look for in an Maths Mazes
 - User-Friendly Interface
4. Exploring eBook Recommendations from Maths Mazes
 - Personalized Recommendations
 - Maths Mazes User Reviews and Ratings
 - Maths Mazes and Bestseller Lists
5. Accessing Maths Mazes Free and Paid eBooks
 - Maths Mazes Public Domain eBooks
 - Maths Mazes eBook Subscription Services

- Maths Mazes Budget-Friendly Options
- 6. Navigating Maths Mazes eBook Formats
 - ePub, PDF, MOBI, and More
 - Maths Mazes Compatibility with Devices
 - Maths Mazes Enhanced eBook Features
- 7. Enhancing Your Reading Experience
 - Adjustable Fonts and Text Sizes of Maths Mazes
 - Highlighting and Note-Taking Maths Mazes
 - Interactive Elements Maths Mazes
- 8. Staying Engaged with Maths Mazes
 - Joining Online Reading Communities
 - Participating in Virtual Book Clubs
 - Following Authors and Publishers Maths Mazes
- 9. Balancing eBooks and Physical Books Maths Mazes
 - Benefits of a Digital Library
 - Creating a Diverse Reading Collection Maths Mazes
- 10. Overcoming Reading Challenges
 - Dealing with Digital Eye Strain
 - Minimizing Distractions
 - Managing Screen Time
- 11. Cultivating a Reading Routine Maths Mazes
 - Setting Reading Goals Maths Mazes
 - Carving Out Dedicated Reading Time
- 12. Sourcing Reliable Information of Maths Mazes
 - Fact-Checking eBook Content of Maths Mazes
 - Distinguishing Credible Sources
- 13. Promoting Lifelong Learning
 - Utilizing eBooks for Skill Development
 - Exploring Educational eBooks
- 14. Embracing eBook Trends

- Integration of Multimedia Elements
- Interactive and Gamified eBooks

Maths Mazes Introduction

In this digital age, the convenience of accessing information at our fingertips has become a necessity. Whether its research papers, eBooks, or user manuals, PDF files have become the preferred format for sharing and reading documents. However, the cost associated with purchasing PDF files can sometimes be a barrier for many individuals and organizations. Thankfully, there are numerous websites and platforms that allow users to download free PDF files legally. In this article, we will explore some of the best platforms to download free PDFs. One of the most popular platforms to download free PDF files is Project Gutenberg. This online library offers over 60,000 free eBooks that are in the public domain. From classic literature to historical documents, Project Gutenberg provides a wide range of PDF files that can be downloaded and enjoyed on various devices. The website is user-friendly and allows users to search for specific titles or browse through different categories. Another reliable platform for downloading Maths Mazes free PDF files is Open Library. With its vast collection of over 1 million eBooks, Open Library has something for every reader. The website offers a seamless experience by providing options to borrow or download PDF files. Users simply need to create a free account to access this treasure trove of knowledge. Open Library also allows users to contribute by uploading and sharing their own PDF files, making it a collaborative platform for book enthusiasts. For those interested in academic resources, there are websites dedicated to providing free PDFs of research papers and scientific articles. One such website is Academia.edu, which allows researchers and scholars to share their work with a global audience. Users can download PDF files of research papers, theses, and dissertations covering a wide range of subjects. Academia.edu also provides a platform for discussions and networking within the academic community. When it comes to downloading Maths Mazes free PDF files of magazines, brochures, and catalogs, Issuu is a popular choice. This digital publishing platform hosts a vast collection of publications from around the world. Users can search for specific titles or explore various categories and genres. Issuu offers a seamless reading experience with its user-friendly interface and allows users to download PDF files for offline reading. Apart from dedicated platforms, search engines also play a crucial role in finding free PDF files. Google, for instance, has an advanced search feature that allows users to filter results by file type. By specifying the file type as "PDF," users can find websites that offer free PDF downloads on a specific topic. While downloading Maths Mazes free PDF files is convenient, its important to note that copyright laws must be respected. Always ensure that the PDF files you download are legally available for free. Many authors and publishers voluntarily provide free PDF versions of their work, but its essential to be cautious and verify the authenticity of the source before downloading Maths Mazes. In conclusion, the internet offers numerous platforms and websites that allow users to

download free PDF files legally. Whether its classic literature, research papers, or magazines, there is something for everyone. The platforms mentioned in this article, such as Project Gutenberg, Open Library, Academia.edu, and Issuu, provide access to a vast collection of PDF files. However, users should always be cautious and verify the legality of the source before downloading Maths Mazes any PDF files. With these platforms, the world of PDF downloads is just a click away.

FAQs About Maths Mazes Books

How do I know which eBook platform is the best for me? Finding the best eBook platform depends on your reading preferences and device compatibility. Research different platforms, read user reviews, and explore their features before making a choice. Are free eBooks of good quality? Yes, many reputable platforms offer high-quality free eBooks, including classics and public domain works. However, make sure to verify the source to ensure the eBook credibility. Can I read eBooks without an eReader? Absolutely! Most eBook platforms offer web-based readers or mobile apps that allow you to read eBooks on your computer, tablet, or smartphone. How do I avoid digital eye strain while reading eBooks? To prevent digital eye strain, take regular breaks, adjust the font size and background color, and ensure proper lighting while reading eBooks. What the advantage of interactive eBooks? Interactive eBooks incorporate multimedia elements, quizzes, and activities, enhancing the reader engagement and providing a more immersive learning experience. Maths Mazes is one of the best book in our library for free trial. We provide copy of Maths Mazes in digital format, so the resources that you find are reliable. There are also many Ebooks of related with Maths Mazes. Where to download Maths Mazes online for free? Are you looking for Maths Mazes PDF? This is definitely going to save you time and cash in something you should think about.

Find Maths Mazes :

[low budget way to start AI consulting business with free tools BATCH47-804](#)

[best way to sell AI generated art step by step BATCH47-325](#)

[**proven strategy to build AI automation agency organically BATCH47-2262**](#)

[affordable way to start AI consulting business for content creators BATCH47-114](#)

[free way to launch AI agency in 2026 BATCH47-1282](#)

[**complete beginner guide to build AI automation agency without paid ads BATCH47-1096**](#)

[~~proven strategy to use AI for YouTube automation in 2026 BATCH47-633~~](#)

[*how to build website using AI for small business owners BATCH47-83*](#)

~~low budget way to use AI for blogging for small business owners BATCH47-1623~~

~~complete beginner guide to automate dropshipping with AI in 2026 BATCH47-552~~

~~best way to use AI for TikTok growth organically BATCH47-957~~

~~how to create faceless YouTube channel with AI that actually works BATCH47-1658~~

~~step by step guide to build website using AI for content creators BATCH47-1267~~

without experience how to create faceless YouTube channel with AI for content creators BATCH47-2473

easy method to launch AI agency without paid ads BATCH47-928

Maths Mazes :

reclam verlag - Jul 02 2022

web mit farbigen illustrationen von bestsellerautor janosch und einem nachwort von zeitsmagazin kolumnist tillman prüfer ein amüsanter geschenkbuch für alle die entspannt durchs leben gehen möchten als universal bibliotheks ausgabe für 7 00 alle titel von janosch bei reclam finden sie hier

romeo und julia reclaims universal bibliothek german edition - Feb 26 2022

web romeo und julia reclaims universal bibliothek german edition ebook shakespeare william klose dietrich schlegel august wilhelm amazon it kindle store

romeo und julia reclaims universal bibliothek leonard bernstein - Apr 30 2022

web gottfried keller romeo und julia auf dem dorfe gottfried keller 2012 nur als e book textausgabe lektüreschlüssel dieses e book bietet sowohl gottfried kellers romeo und julia auf dem dorfe aus reclaims universal bibliothek als auch den passenden lektüreschlüssel der text

romeo und julia reclaims universal bibliothek google books - Jul 14 2023

web romeo und julia versprechen einander heimlich zu heiraten bei einem streit der beiden familien wird romeos freund mercutio erstochen woraufhin romeo tybalt den mörder seines

reclaims universal bibliothek romeo und julia ebook william - Jan 08 2023

web reclaims universal bibliothek romeo und julia romeo und julia sind der inbegriff der leidenschaftlichen liebe sind das liebespaar schlechthin reclaims universal bibliothek romeo und julia ebook william shakespeare bol com

romeo und julia reclaims universal bibliothek ebook - Apr 11 2023

web mar 22 2016 romeo und julia sind der inbegriff der leidenschaftlichen liebe sind das liebespaar schlechthin shakespeares tragödie zeigt die himmlische ekstase

romeo und julia reclaims universal bibliothek fnac - Nov 06 2022

web romeo und julia sind der inbegriff der leidenschaftlichen liebe sind das liebespaar schlechthin shakespeare's tragödie zeigt die himmlische ekstase aber auch die grenzen der liebe durch familie und gesellschaftliche gegenbilder die in den männlich dominierten gruppen der montagues und der capulets verkörpert sind

romeo und julia von william shakespeare ebook thalia - Jun 13 2023

web beschreibung romeo und julia sind der inbegriff der leidenschaftlichen liebe sind das liebespaar schlechthin shakespeare's tragödie zeigt die himmlische ekstase aber auch die grenzen der liebe durch familie und gesellschaftliche gegenbilder die in den männlich weiterlesen

reclams städteführer istanbul architektur und kunst reclams universal - Dec 27 2021

web reclams städteführer istanbul architektur und kunst reclams universal bibliothek asutay effenberger neslihan isbn 9783150191408 kostenloser versand für alle bücher mit versand und verkauf durch amazon

romeo und julia reclams universal bibliothek german edition - Jan 28 2022

web achetez et téléchargez ebook romeo und julia reclams universal bibliothek german edition boutique kindle littérature amazon fr

reclams universal bibliothek alle ebooks bei ebook de - Aug 03 2022

web romeo und julia reclams universal bibliothek william shakespeare ebook epub sofort lieferbar download 2 99

reclams universal bibliothek wikipedia - Feb 09 2023

web regal mit der gesamten universal bibliothek von 1970 bis 2008 als reclam hefte betonung réclamation sind die bücher der universal bibliothek des reclam verlags bekannt in der buchreihe soll deutsche und internationale literatur zu einem günstigen preis angeboten werden sie findet besonders in der schulischen und universitären

reclam universal bibliothek nr 5 romeo und julia - Mar 30 2022

web reclam universal bibliothek nr 5 romeo und julia zusammenfassung romeo und julia eine tragische liebesgeschichte das stück beginnt mit einer einleitung in dieser wird dem leser oder im theater dem zuschauer erklärt dass romeo und julia die kinder zweier verfeindeten familien sind

romeo und julia reclams universal bibliothek kindle ausgabe amazon de - Aug 15 2023

web romeo und julia sind der inbegriff der leidenschaftlichen liebe sind das liebespaar schlechthin shakespeare's tragödie zeigt die himmlische ekstase aber auch die grenzen der liebe durch familie und gesellschaftliche gegenbilder die in den männlich dominierten gruppen der montagues und der capulets verkörpert sind

romeo und julia reclams universal bibliothek buchfreund - Sep 04 2022

web romeo und julia reclams universal bibliothek von william shakespeare dietrich klose wilhelm schlegel august verlag reclam verlag 2 erschienen 2016

romeo und julia auf dem dorfe nouvelle reclams universal bibliothek - Dec 07 2022

web romeo und julia auf dem dorfe nouvelle reclams universal bibliothek ebook keller gottfried amazon de kindle shop

romeo und julia reclams universal bibliothek ausgabe 2 - May 12 2023

web romeo und julia reclams universal bibliothek ausgabe 2 ebook written by william shakespeare read this book using google play books app on your pc android ios devices download for offline

erläuterungen und dokumente zu william shakespeare romeo und julia - Oct 05 2022

web erläuterungen und dokumente zu william shakespeare romeo und julia reclams universal bibliothek poppe reiner isbn 9783150160299 kostenloser versand für alle bücher mit versand und verkauf duch amazon

amazon de kundenrezensionen romeo und julia reclams universal bibliothek - Jun 01 2022

web finde hilfreiche kundenrezensionen und rezensionsbewertungen für romeo und julia reclams universal bibliothek auf amazon de lese ehrliche und unvoreingenommene rezensionen von unseren nutzern

romeo und julia von william shakespeare ebook orell füssli - Mar 10 2023

web romeo und julia sind der inbegriff der leidenschaftlichen liebe sind das liebespaar schlechthin shakespeares tragodie zeigt die himmlische ekstase aber auch die grenzen der liebe durch familie und gesellschaftliche gegenbilder die

obstétrique d c e m sages femmes by patrice lopès c - Jun 01 2023

web obstétrique d c e m sages femmes by patrice lopès c pousset obstétrique d c e m sages femmes by patrice lopès c pousset ddefinition d obsta a a trique dictionnaire full text of corpus glossariorum latinorum charles ble youty gyncologue obsttricien abidjan girard la violence et le sacre sacrifice la violence download freedict

obstétrique d c e m sages femmes by patrice lopès c pousset - May 20 2022

web obstétrique d c e m sages femmes by patrice lopès c pousset citations kiril ivanov ddefinition d obsta a a trique dictionnaire treatment pdq treatment health junqing wu publications citations kiril ivanov tenekedjiev march 29th 2020 mouzon d e allavena e schmitt c frappe m la fécondation in vitro en france approche économique et

obsta c trique d c e m sages femmes copy uniport edu - Feb 26 2023

web may 7 2023 obsta c trique d c e m sages femmes 1 4 downloaded from uniport edu ng on may 7 2023 by guest obsta c trique d c e m sages femmes eventually you will no question discover a other experience and success by spending more cash nevertheless when get you tolerate that you require to get those every needs in the manner of having

obsta balisage aérien - Jan 28 2023

web balisage obsta pour grue balisage des éoliennes balisage de bâtiment à proximité d aérodromes ou d héliports obsta kit solaire pour balise d obstacle ligne haute tension sphères ligne haute tension balisor contact obsta 29 boulevard edgar quinet 75014 paris france tel 33 1 41 23 50 10 fax 33 1 41 23 50 11

tika tri astuti facebook - Dec 27 2022

web tika tri astuti is on facebook join facebook to connect with tika tri astuti and others you may know facebook gives people the power to share and makes

obstétrique d c e m sages femmes by patrice lopès c pousset - Aug 03 2023

web dfinition d obsta a a trique dictionnaire april 17th 2020 définition du mot obsta æ a a trique dans le dictionnaire mediadico les champs marqués d un astérisque sont obligatoires ces obstétrique d c e m sages femmes by patrice lopès c pousset reproduction ap hp barryustorage blob core windows net

obstétrique d c e m sages femmes by patrice lopès c pousset - Aug 23 2022

web obstétrique d c e m sages femmes by patrice lopès c pousset obstétrique d c e m sages femmes by patrice lopès c pousset with colposcopy sciencedirect dfinition d obsta a a trique dictionnaire pdf corylus avellana l vaccinium myrtillus l medical abbreviations for students and practitioners ibrahim aidibe gyncologue obsttricien

obstétrique d c e m sages femmes by patrice lopès c pousset - Mar 18 2022

web obstétrique d c e m sages femmes by patrice lopès c pousset chirurgie docclusion vaginale colpoclisis pour toona series 4 dfinition d obsta a a trique dictionnaire trip database fibrin fibronectin mata nza en l a a rca

obstétrique d c e m sages femmes by patrice lopès c pousset - Jul 22 2022

web obstétrique d c e m sages femmes by patrice lopès c pousset obstétrique d c e m sages femmes by patrice lopès c pousset charles ble youty gyncologue obsttricien abidjan aprilia sr 50 manual pdf download solation and characterization of a cellular protein lipid pdagogie de l exercice et du problme pdagogie

obstétrique d c e m sages femmes by patrice lopès c - Feb 14 2022

web obstétrique d c e m sages femmes by patrice lopès c pousset obstétrique d c e m sages femmes by patrice lopès c pousset junqing wu publications p2 18 restriction of placental and fetal growth reduces pelvic exams near term benefit or risk talking to mco manchester oxford road fabio alexis lefebvre journal of visualized experiments

obstétrique d c e m sages femmes by patrice lopès c pousset - Sep 23 2022

web sep 10 2023 obstétrique d c e m sages femmes by patrice lopès c pousset dfinition d obsta a a trique dictionnaire journal of obstetrics and gynaecology canada jogc journal d obstèl trique et gyneèl cologie du canada jogc washington d c u s a september 22 25 2013 cathy wu

obstétrique d c e m sages femmes by patrice lopès c pousset - Apr 18 2022

web oct 6 2023 obstétrique d c e m sages femmes by patrice lopès c pousset mco multi country organization 42151 44 1 pdf d tramway signification de cprrt que veut dire cprrt que signifie fabio alexis lefebvre journal of visualized experiments pdf entretien avec ccile laborde researchgate dfinition d obsta a a trique dictionnaire analyse

obstétrique d c e m sages femmes by patrice lopès c pousset - Jun 20 2022

web obstétrique d c e m sages femmes by patrice lopès c pousset gynecology of india journal of occupational and environmental hygiene journal of occupational and environmental medicine el mundo university of florida april 24th 2020 m a non so on le i d 5 1936 no no publican an on nto m down asp eden n j i de hub

obstétrique d c e m sages femmes by patrice lopès c pousset - Jul 02 2023

web obstétrique d c e m sages femmes by patrice lopès c pousset obstétrique d c e m sages femmes by patrice lopès c pousset pdf corylus avellana l vaccinium myrtillus l signification de cprt que veut dire cprt que signifie uterine sara treatment pdq treatment health inf ose janvier 2018 slideshare full text of corpus glossariorum

obsta c trique d c e m sages femmes download only - Apr 30 2023

web obsta c trique d c e m sages femmes 3 3 geometric algebras in 1878 the year before his death clifford algebra is a generalisation to n dimensional space of quaternions which hamilton used to represent scalars and vectors in real three space it is also a development of grassmann s algebra incorporating in the fundamental relations inner

obstétrique d c e m sages femmes by patrice lopès c pousset - Mar 30 2023

web sep 10 2023 obstétrique d c e m sages femmes by patrice lopès c pousset pdf entretien avec ccile laborde researchgate endometrial cancer treatment pdq treatment health dfinition d obsta a a trique dictionnaire istrb2 4865 rev01 automatic gates brisbane amp gold coast fabio alexis lefebvre

obsta c trique d c e m sages femmes pdf ftp dartgo - Oct 05 2023

web obsta c trique d c e m sages femmes downloaded from ftp dartgo org by guest maurice lester the peccary springer science business media assessment of the physical dimensions of the human body and application of this knowledge to the design of tools equip ment and work are certainly among the oldest arts and sciences it would be

trique madame définition simple et facile du dictionnaire - Oct 25 2022

web trique madame nom féminin sens 1 en vidéo l astuce du jour par le champion de france d orthographe chaque jour guillaume terrien décortique pour vous une règle orthographique de la langue française l astuce du champion les

trice meaning in urdu bandhana □□□□□□ **english to urdu dictionary** - Nov 25 2022

web trice definition meaning in english v t to haul and tie up by means of a rope n a very short time an instant a moment now used only in the phrase in a trice v t to pull to haul to drag to pull away

obstétrique d c e m sages femmes by patrice lopès c pousset - Sep 04 2023

web sep 17 2023 obstétrique d c e m sages femmes by patrice lopès c pousset claudine amiel tison publications j health sciences ejournals dfinition d obsta a a trique dictionnaire trip database cellule april 23rd 2020 fo i s c om m e d oc t r i n e d e l a s é p a r a t i o n e t c o m m e d o c t r i n e d e l a c o n s c i

friedrich schiller gesammelte werke anaconda gesa pdf - Aug 03 2022

web jul 1 2023 friedrich schiller gesammelte werke anaconda gesa pdf is simple in our digital library an online access to it is set as public suitably you can download it instantly

[friedrich schiller gesammelte werke anaconda gesammelte](#) - Nov 06 2022

web jun 17 2023 friedrich schiller gesammelte werke anaconda gesammelte werke by friedrich schiller moreover it is not straight done you could believe even more nearly

friedrich schiller gesammelte werke anaconda gesammelte - Oct 05 2022

web friedrich schiller gesammelte werke anaconda gesammelte werke band 27 schiller friedrich anaconda verlag gebundene ausgabe 3730607944 9 95 werke in drei bänden

friedrich schiller gesammelte werke anaconda gesa pdf - Feb 09 2023

web friedrich schiller gesammelte werke anaconda gesa downloaded from blog theupside com by guest marshall allie nietzsche f gesammelte werke

friedrich schiller gesammelte werke anaconda gesammelte - Oct 25 2021

web friedrich schiller gesammelte werke anaconda gesammelte werke by friedrich schiller die gedichte und friedrich schiller lese momente william shakespeare

friedrich schiller lebenslauf steckbrief und werke - Nov 25 2021

web auch du hast bestimmt schon einmal etwas von ihm gelesen fast alle seine werke sind heute echte klassiker wie auch zum beispiel seine dramen die räuber 1782

friedrich schiller gesammelte werke anaconda gesa copy - Mar 30 2022

web apr 8 2023 friedrich schiller gesammelte werke anaconda gesa 2 8 downloaded from uniport edu ng on april 8 2023 by guest the path of life p 3 heaven s gate benjamin

[friedrich schiller gesammelte werke anaconda gesa pdf](#) - Sep 04 2022

web jun 4 2023 friedrich schiller gesammelte werke anaconda gesa 2 9 downloaded from uniport edu ng on june 4 2023 by guest self expression williams situates them at the

friedrich schiller gesammelte werke anaconda gesammelte - Dec 07 2022

web friedrich schiller gesammelte werke buch weltbild at friedrich schiller gesammelte werke diverser literatur gesammelte werke von friedrich schiller abebooks we

friedrich schiller gesammelte werke anaconda gesammelte - Mar 10 2023

web june 1st 2020 friedrich schiller gesammelte werke anaconda gesammelte werke band 27 schiller friedrich anaconda verlag gebundene ausgabe 3730607944 9 95 sämtliche

friedrich schiller gesammelte werke anaconda gesammelte - Feb 26 2022

web june 1st 2020 friedrich schiller gesammelte werke anaconda gesammelte werke band 27 schiller friedrich anaconda verlag gebundene ausgabe 3730607944 9 95 sämtliche

friedrich schiller gesammelte werke anaconda gesa pdf - Jan 08 2023

web apr 14 2023 kindly say the friedrich schiller gesammelte werke anaconda gesa is universally compatible with any devices to read versuch uber den roman christian

friedrich schiller gesammelte werke anaconda gesa - Sep 23 2021

web gesammelte werke wilhelm busch 1923 in the congo urs widmer 2021 04 24 kuno a male nurse in a swiss retirement home has a new inmate his father in the confines of

friedrich von schiller friedrich von schiller sämtliche werke in - Jun 01 2022

web friedrich von schiller sämtliche werke in fünf bänden carl hanser verlag münchen 2005 isbn 9783446205017 gebunden 5802 seiten 150 00 eur das werk lebt

friedrich schiller gesammelte werke die gedichte und - Aug 15 2023

web friedrich schiller gesammelte werke die gedichte und balladen gebunden in feinem leinen mit goldener schmuckprägung anaconda gesammelte werke band 27

friedrich schiller gesammelte werke anaconda gesa ann - May 12 2023

web we give friedrich schiller gesammelte werke anaconda gesa and numerous books collections from fictions to scientific research in any way in the middle of them is this

friedrich schiller das sind seine bekanntesten werke - Dec 27 2021

web jul 15 2019 friedrich schiller seine bekanntesten werke friedrich schiller verfasste neben vielen lyrischen werken wie gedichten und balladen eine große anzahl an

friedrich schiller gesammelte werke anaconda gesa 2023 - Jul 14 2023

web gesammelte werke may 07 2022 gesammelte werke mar 05 2022 gesammelte werke sep 11 2022 gesammelte dramen die braut von messina oder die feindlichen

friedrich schiller leben werk und literatur - Apr 11 2023

web friedrich schiller hat über 2000 briefe hinterlassen in seiner korrespondenz zeigt er sich als freund und dichter als familienmensch aber auch als geschäftsmann und

friedrich schiller gesammelte werke anaconda gesa pdf - Apr 30 2022

web friedrich schiller gesammelte werke anaconda gesa 3 3 schuf einprägsame sätze wie proletarier aller länder vereinigt euch dennoch war er kein populist und ging den

friedrich schiller gesammelte werke anaconda gesammelte - Jul 02 2022

web jun 7 2023 adequately no question easy to get as without difficulty as obtain guide friedrich schiller gesammelte werke anaconda gesammelte werke by friedrich

friedrich schiller gesammelte werke anaconda gesa pdf - Jan 28 2022

web jun 17 2023 thank you entirely much for downloading friedrich schiller gesammelte werke anaconda gesa pdf maybe you have knowledge that people have see

anaconda gesammelte werke reiheninformationen und werke - Jun 13 2023

web karl marx friedrich engels gesammelte werke leinenausg mit goldener schmuckprägung fachbuch 2016 buch anaconda verlag isbn 978 3 7306 0335 2