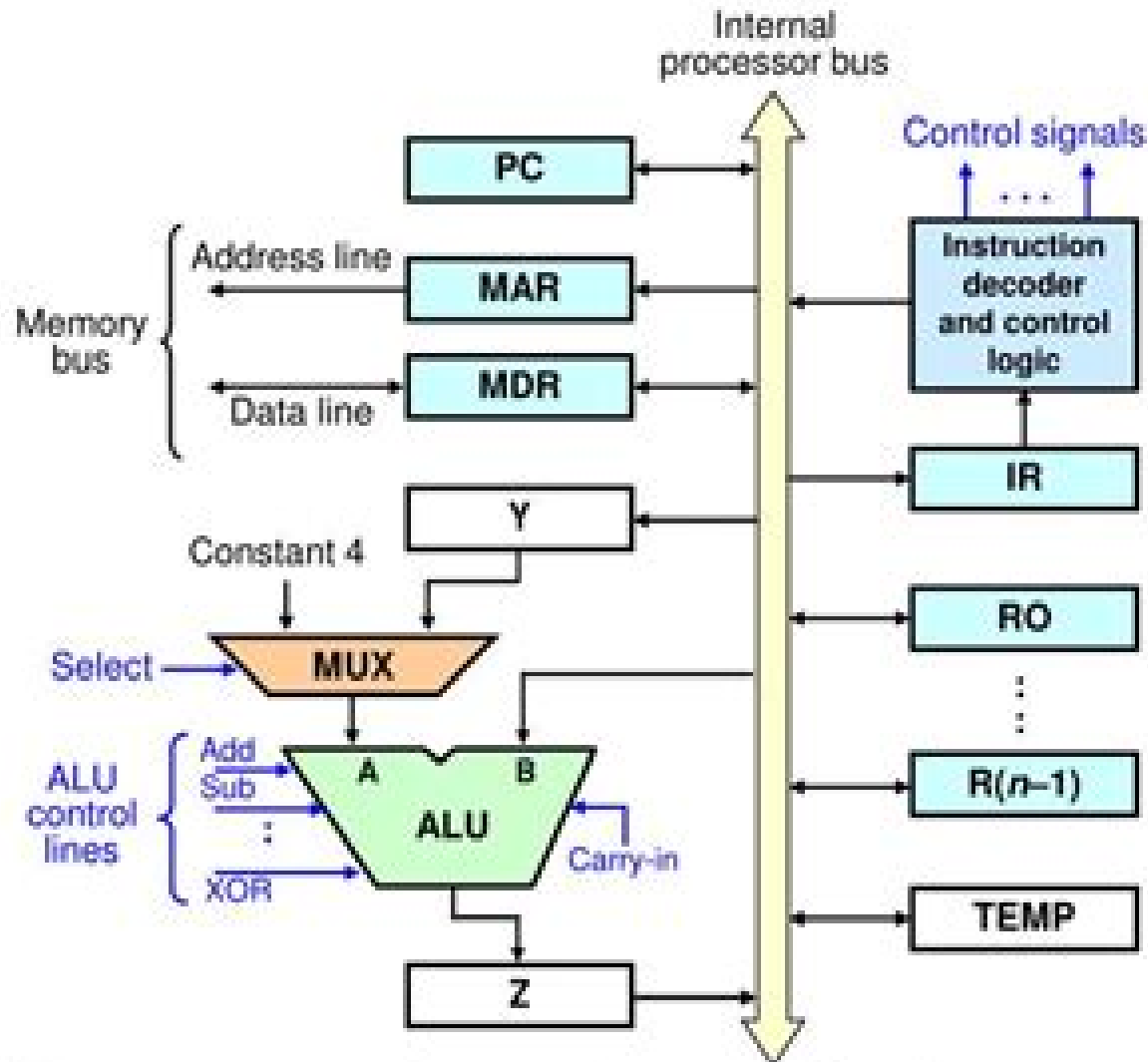


Single-bus Organization



Sg Computer Concepts And Comp Con With Ba

S Ben Porath



Sg Computer Concepts And Comp Con With Ba:

SG-Computer Concepts and Comp. CON with BA Gary B. Shelly,1989-05-01 **Bell Laboratories Talks and Papers**
Bell Telephone Laboratories. Libraries and Information Systems Center,1972 **Engineering Education** ,1977

Readings in Object-Oriented Database Systems Stanley B. Zdonik,David Maier,1990 This comprehensive collection is a survey of research in object oriented databases offering a substantive overview of the field section introductions and over 40 research papers presented in their original scope and detail The balanced selection of articles presents a confluence of ideas from both the language and database research communities that have contributed to the object oriented paradigm The editors develop a general definition and model for object oriented databases and relate significant research efforts to this framework Further the collection explores the fundamental notions behind object oriented databases semantic data models implementation of object oriented systems transaction processing interfaces and related approaches Research and theory are balanced by applications to CAD systems programming environments and office information systems **Who Owns Whom** ,2006 **BTL Talks and Papers** Bell Telephone Laboratories, inc. Technical Information Libraries,1971 *IEEE Membership Directory* Institute of Electrical and Electronics Engineers,1988 **An Introductory Guide to EC Competition Law and Practice** Valentine Korah,1994 *Southern Pulp and Paper Manufacturer* ,1964 **The Northwestern Miller** ,1896 **Major Information Technology Companies of the World** ,2009 **American Lumberman** ,1914 **The Economist** ,1919 **Job Openings for Economists** ,1997 **73 Magazine for Radio Amateurs** ,1981 *British Book News* ,1990 **The Cumulative Book Index** ,1984 A world list of books in the English language *Index of Conference Proceedings* ,1996 *Byte* ,1980 *The London and China Telegraph* ,1892

Sg Computer Concepts And Comp Con With Ba Book Review: Unveiling the Power of Words

In a world driven by information and connectivity, the energy of words has become more evident than ever. They have the capacity to inspire, provoke, and ignite change. Such is the essence of the book **Sg Computer Concepts And Comp Con With Ba**, a literary masterpiece that delves deep into the significance of words and their effect on our lives. Published by a renowned author, this captivating work takes readers on a transformative journey, unraveling the secrets and potential behind every word. In this review, we will explore the book's key themes, examine its writing style, and analyze its overall effect on readers.

https://www.staging.gilderlehrman.org/book/detail/Documents/complete_beginner_guide_to_launch_ai_agency_without_paid_ads_batch65_861.pdf

Table of Contents Sg Computer Concepts And Comp Con With Ba

1. Understanding the eBook Sg Computer Concepts And Comp Con With Ba
 - The Rise of Digital Reading Sg Computer Concepts And Comp Con With Ba
 - Advantages of eBooks Over Traditional Books
2. Identifying Sg Computer Concepts And Comp Con With Ba
 - Exploring Different Genres
 - Considering Fiction vs. Non-Fiction
 - Determining Your Reading Goals
3. Choosing the Right eBook Platform
 - Popular eBook Platforms
 - Features to Look for in an Sg Computer Concepts And Comp Con With Ba
 - User-Friendly Interface
4. Exploring eBook Recommendations from Sg Computer Concepts And Comp Con With Ba
 - Personalized Recommendations
 - Sg Computer Concepts And Comp Con With Ba User Reviews and Ratings

- Sg Computer Concepts And Comp Con With Ba and Bestseller Lists
- 5. Accessing Sg Computer Concepts And Comp Con With Ba Free and Paid eBooks
 - Sg Computer Concepts And Comp Con With Ba Public Domain eBooks
 - Sg Computer Concepts And Comp Con With Ba eBook Subscription Services
 - Sg Computer Concepts And Comp Con With Ba Budget-Friendly Options
- 6. Navigating Sg Computer Concepts And Comp Con With Ba eBook Formats
 - ePub, PDF, MOBI, and More
 - Sg Computer Concepts And Comp Con With Ba Compatibility with Devices
 - Sg Computer Concepts And Comp Con With Ba Enhanced eBook Features
- 7. Enhancing Your Reading Experience
 - Adjustable Fonts and Text Sizes of Sg Computer Concepts And Comp Con With Ba
 - Highlighting and Note-Taking Sg Computer Concepts And Comp Con With Ba
 - Interactive Elements Sg Computer Concepts And Comp Con With Ba
- 8. Staying Engaged with Sg Computer Concepts And Comp Con With Ba
 - Joining Online Reading Communities
 - Participating in Virtual Book Clubs
 - Following Authors and Publishers Sg Computer Concepts And Comp Con With Ba
- 9. Balancing eBooks and Physical Books Sg Computer Concepts And Comp Con With Ba
 - Benefits of a Digital Library
 - Creating a Diverse Reading Collection Sg Computer Concepts And Comp Con With Ba
- 10. Overcoming Reading Challenges
 - Dealing with Digital Eye Strain
 - Minimizing Distractions
 - Managing Screen Time
- 11. Cultivating a Reading Routine Sg Computer Concepts And Comp Con With Ba
 - Setting Reading Goals Sg Computer Concepts And Comp Con With Ba
 - Carving Out Dedicated Reading Time
- 12. Sourcing Reliable Information of Sg Computer Concepts And Comp Con With Ba
 - Fact-Checking eBook Content of Sg Computer Concepts And Comp Con With Ba
 - Distinguishing Credible Sources

13. Promoting Lifelong Learning
 - Utilizing eBooks for Skill Development
 - Exploring Educational eBooks
14. Embracing eBook Trends
 - Integration of Multimedia Elements
 - Interactive and Gamified eBooks

Sg Computer Concepts And Comp Con With Ba Introduction

Sg Computer Concepts And Comp Con With Ba Offers over 60,000 free eBooks, including many classics that are in the public domain. Open Library: Provides access to over 1 million free eBooks, including classic literature and contemporary works. Sg Computer Concepts And Comp Con With Ba Offers a vast collection of books, some of which are available for free as PDF downloads, particularly older books in the public domain. Sg Computer Concepts And Comp Con With Ba : This website hosts a vast collection of scientific articles, books, and textbooks. While it operates in a legal gray area due to copyright issues, its a popular resource for finding various publications. Internet Archive for Sg Computer Concepts And Comp Con With Ba : Has an extensive collection of digital content, including books, articles, videos, and more. It has a massive library of free downloadable books. Free-eBooks Sg Computer Concepts And Comp Con With Ba Offers a diverse range of free eBooks across various genres. Sg Computer Concepts And Comp Con With Ba Focuses mainly on educational books, textbooks, and business books. It offers free PDF downloads for educational purposes. Sg Computer Concepts And Comp Con With Ba Provides a large selection of free eBooks in different genres, which are available for download in various formats, including PDF. Finding specific Sg Computer Concepts And Comp Con With Ba, especially related to Sg Computer Concepts And Comp Con With Ba, might be challenging as theyre often artistic creations rather than practical blueprints. However, you can explore the following steps to search for or create your own Online Searches: Look for websites, forums, or blogs dedicated to Sg Computer Concepts And Comp Con With Ba, Sometimes enthusiasts share their designs or concepts in PDF format. Books and Magazines Some Sg Computer Concepts And Comp Con With Ba books or magazines might include. Look for these in online stores or libraries. Remember that while Sg Computer Concepts And Comp Con With Ba, sharing copyrighted material without permission is not legal. Always ensure youre either creating your own or obtaining them from legitimate sources that allow sharing and downloading. Library Check if your local library offers eBook lending services. Many libraries have digital catalogs where you can borrow Sg Computer Concepts And Comp Con With Ba eBooks for free, including popular titles. Online Retailers: Websites like Amazon, Google Books, or Apple Books often sell eBooks. Sometimes, authors or publishers offer promotions or free periods for certain books. Authors Website Occasionally, authors provide excerpts or short

stories for free on their websites. While this might not be the Sg Computer Concepts And Comp Con With Ba full book, it can give you a taste of the authors writing style. Subscription Services Platforms like Kindle Unlimited or Scribd offer subscription-based access to a wide range of Sg Computer Concepts And Comp Con With Ba eBooks, including some popular titles.

FAQs About Sg Computer Concepts And Comp Con With Ba Books

1. Where can I buy Sg Computer Concepts And Comp Con With Ba books? Bookstores: Physical bookstores like Barnes & Noble, Waterstones, and independent local stores. Online Retailers: Amazon, Book Depository, and various online bookstores offer a wide range of books in physical and digital formats.
2. What are the different book formats available? Hardcover: Sturdy and durable, usually more expensive. Paperback: Cheaper, lighter, and more portable than hardcovers. E-books: Digital books available for e-readers like Kindle or software like Apple Books, Kindle, and Google Play Books.
3. How do I choose a Sg Computer Concepts And Comp Con With Ba book to read? Genres: Consider the genre you enjoy (fiction, non-fiction, mystery, sci-fi, etc.). Recommendations: Ask friends, join book clubs, or explore online reviews and recommendations. Author: If you like a particular author, you might enjoy more of their work.
4. How do I take care of Sg Computer Concepts And Comp Con With Ba books? Storage: Keep them away from direct sunlight and in a dry environment. Handling: Avoid folding pages, use bookmarks, and handle them with clean hands. Cleaning: Gently dust the covers and pages occasionally.
5. Can I borrow books without buying them? Public Libraries: Local libraries offer a wide range of books for borrowing. Book Swaps: Community book exchanges or online platforms where people exchange books.
6. How can I track my reading progress or manage my book collection? Book Tracking Apps: Goodreads, LibraryThing, and Book Catalogue are popular apps for tracking your reading progress and managing book collections. Spreadsheets: You can create your own spreadsheet to track books read, ratings, and other details.
7. What are Sg Computer Concepts And Comp Con With Ba audiobooks, and where can I find them? Audiobooks: Audio recordings of books, perfect for listening while commuting or multitasking. Platforms: Audible, LibriVox, and Google Play Books offer a wide selection of audiobooks.
8. How do I support authors or the book industry? Buy Books: Purchase books from authors or independent bookstores. Reviews: Leave reviews on platforms like Goodreads or Amazon. Promotion: Share your favorite books on social media

or recommend them to friends.

9. Are there book clubs or reading communities I can join? Local Clubs: Check for local book clubs in libraries or community centers. Online Communities: Platforms like Goodreads have virtual book clubs and discussion groups.
10. Can I read Sg Computer Concepts And Comp Con With Ba books for free? Public Domain Books: Many classic books are available for free as they're in the public domain. Free E-books: Some websites offer free e-books legally, like Project Gutenberg or Open Library.

Find Sg Computer Concepts And Comp Con With Ba :

[complete beginner guide to launch AI agency without paid ads BATCH65-861](#)

[best way to use AI for Instagram marketing step by step BATCH65-770](#)

best way to grow email list using AI for beginners BATCH65-1595

without experience how to start AI side hustle for beginners BATCH65-725

[without experience how to write blog posts using AI for small business owners BATCH65-863](#)

[how to generate leads using AI step by step BATCH65-1303](#)

best way to automate customer service with AI step by step BATCH65-1333

easy method to create digital products with AI organically BATCH65-1859

[low budget way to start AI side hustle for content creators BATCH65-766](#)

[proven strategy to use AI for TikTok growth organically BATCH65-1737](#)

step by step guide to use AI for Instagram marketing for small business owners BATCH65-1925

low budget way to use AI for small business for content creators BATCH65-2150

~~[proven strategy to automate customer service with AI that actually works BATCH65-1917](#)~~

low budget way to launch AI agency for small business owners BATCH65-1045

~~[step by step guide to launch AI agency without paid ads BATCH65-797](#)~~

Sg Computer Concepts And Comp Con With Ba :

[aquarelle la touche parisienne broché rebecca meurin fnac - Oct 05 2023](#)

web sep 20 2019 [aquarelle la touche parisienne rebecca meurin mango des milliers de livres avec la livraison chez vous en](#)

1 jour ou en magasin avec 5 de réduction [aquarelle la touche parisienne broché rebecca meurin achat livre fnac](#)

[aquarelle static fnac static com - Feb 26 2023](#)

web par la magie de l aquarelle la ville se pare de couleurs tendres et chaque instant est sublimé la touche parisienne c est l art de ré enchanter le gris du ciel de transformer la terrasse d un café en un coin de paradis de twister une tenue en trois coups de pinceau quelques godets et de l eau voilà tout ce qu il vous faut

gibert com aquarelle la touche parisienne rebecca meurin - Aug 23 2022

web la touche parisienne c est l art de ré enchanter le gris du ciel de transformer la terrasse d un café en un coin de paradis de twister une tenue en trois c gibert com aquarelle la touche parisienne rebecca meurin peinture et dessin livres pas cher

aquarelle la touche parisienne meurin rebecca - Aug 03 2023

web aquarelle la touche parisienne meurin rebecca on amazon com au free shipping on eligible orders aquarelle la touche parisienne

aquarelle la touche parisienne grand format decitre - Jan 28 2023

web sep 20 2019 la touche parisienne c est l art de ré enchanter le gris du ciel de transformer la terrasse d un café en un coin de paradis de twister une tenue en trois coups de pinceau quelques godets et de l eau voilà tout ce qu il vous faut abordez l aquarelle en toute simplicité pour donner à chaque dessin un je ne sais quoi

aquarelle la touche parisienne - Nov 25 2022

web par la magie de l aquarelle la ville se pare de couleurs tendres et chaque instant est sublimé la touche parisienne c est l art de ré enchanter le gris du ciel de transformer la terrasse d un café en un coin de paradis de twister une tenue en trois coups de pinceau

[aquarelle la touche parisienne by fleurus editions issuu](#) - Sep 04 2023

web aug 13 2019 read aquarelle la touche parisienne by fleurus editions on issuu and browse thousands of other publications on our platform start here

aquarelle la touche parisienne 17 modèles en étapes débutant - Mar 18 2022

web une initiation à la technique de l aquarelle à travers des exemples de vues parisiennes à peindre shopping fenêtre sur cour toits de paris ou encore pause café electre 2019

aquarelle la touche parisienne 17 modèles en étapes débutant - May 20 2022

web une initiation à la technique de l aquarelle à travers des exemples de vues parisiennes à peindre shopping fenêtre sur cour toits de paris ou encore pause café electre 2019

aquarelle la touche parisienne 17 modèles en étapes débutant - Apr 18 2022

web la touche parisienne c est l art de ré enchanter le gris du ciel de transformer la terrasse d un café en un coin de paradis de twister une tenue en trois coups de pinceau quelques godets et de l eau voilà tout ce qu il vous faut abordez l aquarelle en toute simplicité pour donner à chaque dessin un je ne sais quoi poétique et chic

[aquarelle la touche parisienne by fleurus editions issuu](#) - Jul 02 2023

web aug 12 2019 la touche parisienne c est l art de ré enchanter le gris du ciel de transformer la terrasse d un café en un coin de paradis de twister une tenue en trois coups de pinceau

aquarelle la touche parisienne meurin rebecca - Dec 27 2022

web par la magie de l aquarelle la ville se pare de couleurs tendres et chaque instant est sublimé la touche parisienne c est l art de ré enchanter le gris du ciel de transformer la terrasse d un café en un coin de paradis de twister une tenue en trois coups de pinceau

aquarelle la touche parisienne art et culture rakuten - Feb 14 2022

web nov 10 2022 par la magie de l aquarelle la ville se pare de couleurs tendres et chaque instant est sublimé la touche parisienne c est l art de ré enchanter le gris du ciel de transformer la terrasse d un café en un coin de paradis de twister une tenue en trois coups de pinceau quelques godets et de l eau voilà tout ce qu il vous faut

aquarelle la touche parisienne centre pompidou - Mar 30 2023

web les cahiers du mnam other magazines travel guides for paris other travel guide children s art books baby books documentary children s book and pop up book arts and crafts first reading books products products aquarelle la touche parisienne

aquarelle la touche parisienne librairie eyrolles - Jun 20 2022

web par la magie de l aquarelle la ville se pare de couleurs tendres et chaque instant est sublimé la touche parisienne c est l art de ré enchanter le gris du ciel de transformer la terrasse d un café en un coin de paradis de twister une tenue en trois

[aquarelle la touche parisienne rebecca meurin mango](#) - Jun 01 2023

web sep 20 2019 par la magie de l aquarelle la ville se pare de couleurs tendres et chaque instant est sublimé la touche parisienne c est l art de ré enchanter le gris du ciel de transformer la terrasse d un café en un coin de paradis de twister une tenue en trois coups de pinceau quelques godets et de l eau voilà tout ce qu il vous

aquarelle la touche parisienne amazon sg books - Apr 30 2023

web hello sign in account lists returns orders cart

[aquarelle la touche parisienne](#) - Sep 23 2022

web aquarelle la touche parisienne rebecca meurin mango achat livre sur divertistore com aquarelle la touche parisienne par la magie de l aquarelle la ville se pare de couleurs tendres et chaque instant est sublimé

aquarelle la touche parisienne amazon co uk meurin rebecca - Oct 25 2022

web buy aquarelle la touche parisienne by meurin rebecca isbn 9782317021367 from amazon s book store everyday low prices and free delivery on eligible orders

aquarelle la touche parisienne meurin rebecca amazon fr - Jul 22 2022

web aquarelle la touche parisienne meurin rebecca amazon fr livres passer au contenu principal fr bonjour entrez votre adresse livres sélectionnez la section dans laquelle vous souhaitez faire votre recherche rechercher amazon fr bonjour identifiez vous compte et listes retours et commandes panier

dictionnaire des citations du monde entier babelio - Apr 26 2023

web apr 29 2005 cette nouvelle édition du dictionnaire de citations du monde rassemble plus de 8 000 citations illustrant 475 grands thèmes elles sont empruntées à près de 2 500 auteurs originaires de 126 pays

dictionnaires de langue en ligne bnf site institutionnel - Mar 14 2022

web sa version en ligne constamment mise à jour contient des définitions de mots des expressions locutions et proverbes mais aussi des citations ainsi que la conjugaison complète de tous les verbes du dictionnaire

citation dictionnaire 40 phrases et proverbes - May 16 2022

web top 10 des citations dictionnaire de célébrités de films ou d'internautes et proverbes dictionnaire classés par auteur thématique nationalité et par culture retrouvez de 100 000 citations avec les meilleures phrases dictionnaire les plus grandes maximes dictionnaire les plus belles pensées dictionnaire provenant d'extraits de

dictionnaires dictionnaire des citations - Mar 26 2023

web iladit citations 80 000 citations et sagesses issues de 150 pays et 10 000 auteurs la plus importante collection de citations du monde iladit.com

les citations sur monde proverbes français - Jun 16 2022

web les 45 citations et proverbes monde pour celui qui a beaucoup connu le monde la solitude devient une passion auguste louis petiet les pensées maximes et réflexions 1851 le monde est un étranger dont les mœurs ne sont pas les nôtres victor cherbuliez l'art et la nature 1892 maintenant que je ne compte plus sur rien le monde

200 000 citations proverbes rechercher une citation - Oct 01 2023

web célèbre ou la perle rare un recueil de 200 000 citations dictons aphorismes pensées paroles de personnes célèbres d'écrivains illustres ou romanciers ainsi que des proverbes français accessibles par un lexique et un moteur de

dictionnaire de citations du monde entier babelio - May 28 2023

web le robert citations du monde entier le dictionnaire de citations du monde entier regroupe plus de 8 000 citations empruntées à plus de 2500 auteurs et réparties sur près de 120 pays

dictionnaire de citations 30 000 citations et proverbes - Dec 23 2022

web dictionnaire de citations 30 000 citations célèbres accueil citations les meilleures citations plus de 30 000 citations célèbres à consulter vous recherchez une citation sur le bonheur l'amour ou l'amitié nous vous aidons à découvrir des

citations des proverbes ou simplement des phrases touchantes parmi les plus belles citations

citation le dictionnaire des citations l internaute - Jun 28 2023

web vous cherchez un auteur un thème ou une citation particulière le dictionnaire des citations de l internaute vous propose de nombreuses citations des plus célèbres aux plus insolites

30 citations sur le dictionnaire dico citation - Apr 14 2022

web citation dictionnaire découvrez 30 citations dictionnaire parmi des milliers de citations de pensées et de répliques cultes et partagez vos citations avec citation du

dico proverbes le dictionnaire des proverbes du monde - Aug 19 2022

web dictionnaire de la poésie dictionnaire de rimes dictons proverbes définitions anagrammes prénoms dictionnaire de citations dico pratique citations d amour conjugaison trucs et astuces poèmes blagues expressions codes postaux aphoriste aphorisme une citation livres dico micro recettes modèles de lettres quotes

citations il a dit - Feb 22 2023

web annuaire des citations françaises et étrangères retrouvez les citations classées par thème auteur source ou mots clefs 10070 citations françaises et étrangères le monde est né de l amour il est soutenu par l amour il va vers l amour et il entre dans l amour saint françois de sales

définitions monde dictionnaire de français larousse - Feb 10 2022

web monde définitions français retrouvez la définition de monde ainsi que les synonymes expressions difficultés citations synonymes homonymes difficultés citations

dictionnaires cartes livres en ligne langues pays du monde - Jul 18 2022

web dictionnaires dans toutes les langues cartes de tous les pays livres documents en ligne

dictionnaire de citations du monde free download borrow and - Sep 19 2022

web dictionnaire de citations du monde free download borrow and streaming internet archive

ma boîte connaissances citations et expressions - Oct 21 2022

web citations et proverbes dictionnaire de 100 000 citations et proverbes issus de 150 pays et 10 000 auteurs la plus importante collection de citations du monde et de citations francophones

citation les meilleures citations célèbres citation célèbre - Jan 24 2023

web liste des meilleures citations de célébrités classées par auteur thématique et par nationalité chaque citation est triée sur le volet qu elle soit drôle triste ou philosophique

evene citations et proverbes célèbres - Aug 31 2023

web index des sujets découvrez un dictionnaire de 100 000 citations et proverbes issus de 150 pays et 10 000 auteurs la plus

importante collection de citations du monde et
citations proverbes dictionnaire evene fr - Nov 21 2022

web dictionnaire citations sur dictionnaire parmi une collection de 100 000 citations découvrez le meilleur des citations sur dictionnaire mais aussi des phrases célèbres sur dictionnaire des citations sur dictionnaire issues de discours des pensées sur dictionnaire des paroles de chansons sur dictionnaire des citations de célébrités ou
les dictionnaires de citations françaises et du monde le robert - Jul 30 2023

web les dictionnaires de citations françaises et du monde retrouvez les plus belles citations françaises et du monde entier classées par ordre chronologique ou par thèmes à travers ces dictionnaires ludiques existent en format de poche et en format relié

first 100 padded numbers colors shapes - Apr 09 2023

web by roger priddy children s literature first 100 box set farm dino trucks by roger priddy children s literature first words usa by priddy books children s literature

amazon com customer reviews first 100 first book of - May 30 2022

web first 100 first book of colors padded by roger priddy books manga booktok autographed audiobooks kids young adult funko pop culture toys games

first 100 first book of colors padded amazon in - Aug 01 2022

web find helpful customer reviews and review ratings for first 100 first book of colors padded at amazon com read honest and unbiased product reviews from our users

first 100 first book of colors padded board book the - Jun 30 2022

web introduce babies and toddlers to color with this bright and bold board book from roger priddy a striking addition to the top selling first 100 series which has sold over 4

first 100 first book of colors padded by roger priddy - Jun 11 2023

web may 10 2011 your young chld will soon learn their first numbers shapes and colors with this bright board book from priddy books there are 100 color pictures which they will

first 100 first book of colors padded board book - Apr 28 2022

web hello sign in account lists returns orders cart

first 100 first book of colors padded barnes - May 10 2023

web introduce babies and toddlers to color with this bright and bold board book from roger priddy a striking addition to the top selling first 100 series which has sold over 4

first 100 first book of colors padded board book - Jan 26 2022

web books non books bestsellers blog filipino reads new pre orders sale offline mode 0 share members get 5 discount on d coded items learn more

[first 100 padded numbers colors shapes mitpressbookstore](#) - Dec 25 2021

first 100 first book of colors padded roger priddy fiyat - Jul 12 2023

web jul 2 2019 first 100 first book of colors padded roger priddy 4 39 28 ratings5 reviews introduce babies and toddlers to color with this bright and bold board book

[first 100 first book of colors padded a book by roger priddy](#) - Oct 03 2022

web details sold by ured store see all 2 images first 100 first book of colors padded board book 2 july 2019 by roger priddy author 453 ratings part of first 100 27

[first 100 series macmillan](#) - Feb 07 2023

web jul 2 2019 introduce babies and toddlers to color with this bright and bold board book from roger priddy a striking addition to the top selling first 100 series which has sold

first 100 first book of colors padded macmillan - Aug 13 2023

web first 100 first book of colors padded kitap açıklaması introduce babies and toddlers to color with this bright and bold board book from roger priddy a striking addition to the

first 100 first book of colors padded abebooks - Sep 02 2022

web introduce babies and toddlers to color with this bright and bold board book from roger priddy a striking addition to the top selling first 100 series which has sold over 4

first 100 first book of colors padded board book - Dec 05 2022

web introduce babies and toddlers to color with this bright and bold board book from roger priddy a striking addition to the top selling first 100 series which has sold over 4

first 100 padded numbers colors shapes - Feb 24 2022

web this book title first 100 soft to touch first book of colors padded isbn 9780312528799 by roger priddy published by st martin s press july 2 2019 is

first 100 first book of colors padded board book - Jan 06 2023

web jul 2 2019 introduce babies and toddlers to color with this bright and bold board book a striking new addition to the top selling first 100 series which has sold over 4 million

first 100 first book of colors padded by roger priddy - Mar 28 2022

web may 10 2011 9780312510817 pages 24 quantity add to wishlist available formats usually ships in 1 to 5 days

description your young chld will soon learn their first
fully booked - Oct 23 2021

first 100 first book of colors padded amazon com - Sep 14 2023

web jul 2 2019 book details introduce babies and toddlers to color with this bright and bold board book from roger priddy a striking addition to the top selling first 100 series

buy first 100 first book of colors padded in bulk - Nov 23 2021

first 100 first book of colors padded mitpressbookstore - Mar 08 2023

web jul 2 2019 first 100 first book of colors padded board book illustrated 2 july 2019 introduce babies and toddlers to color with this bright and bold board book from roger

the first 100 first book of colors padded by roger priddy - Nov 04 2022

web there are over 100 photographs of colorful objects to look at and talk about with labels to read and learn too the pages are made from tough board for hours of fun reading and