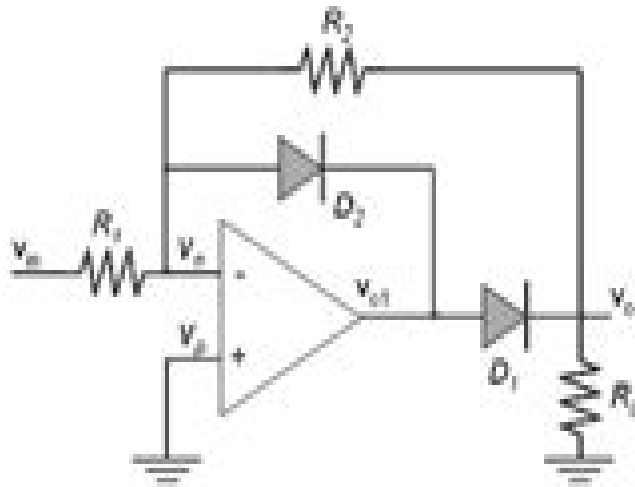


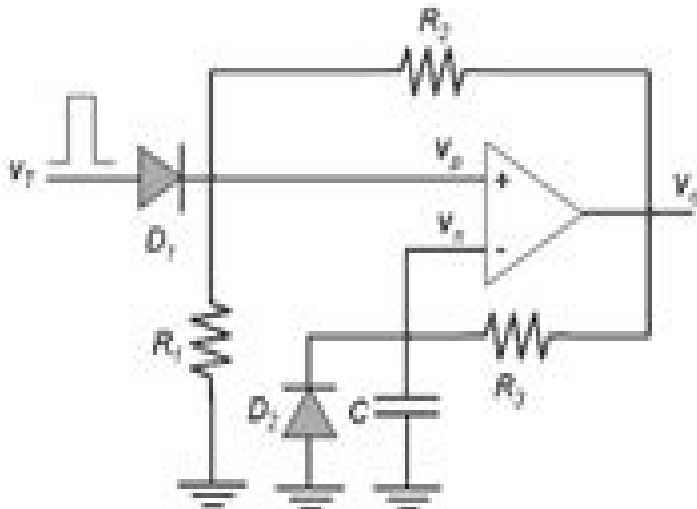
A non-saturating precision half wave rectifier is connected as shown below. If $R_1 = 12k\Omega$, $R_2 = 23k\Omega$, diode forward voltage drop = $0.7V$, and power supply = $\pm 15V$, then what is the output when the input is $-2.4V$? (Enter your answer in V)



18

QUESTION 6

A pulse generator is connected as shown below, with $R_1 = 1.2k\Omega$, $R_2 = 8.8k\Omega$, $V_{DD} = 15V$ and $v_{in} = 15V$. The diode forward voltage drop $V_D = 0.7V$. We wish to set up the circuit to give an output pulse of $1s$ in duration. If $R_3 = 100k\Omega$, what value of capacitor C is required? (Enter answer in μF , eg $4.21\mu F$ is entered as 4.21)



Precision Power First Half Of The Centru

JE Gale



Precision Power First Half Of The Centru:

Recognizing the showing off ways to get this book **Precision Power First Half Of The Centru** is additionally useful. You have remained in right site to begin getting this info. acquire the Precision Power First Half Of The Centru partner that we offer here and check out the link.

You could purchase lead Precision Power First Half Of The Centru or get it as soon as feasible. You could quickly download this Precision Power First Half Of The Centru after getting deal. So, taking into consideration you require the book swiftly, you can straight acquire it. Its in view of that certainly simple and therefore fats, isnt it? You have to favor to in this tune

https://www.staging.gilderlehrman.org/About/detail/Download_PDFS/lord%20bacon.pdf

Table of Contents Precision Power First Half Of The Centru

1. Understanding the eBook Precision Power First Half Of The Centru
 - The Rise of Digital Reading Precision Power First Half Of The Centru
 - Advantages of eBooks Over Traditional Books
2. Identifying Precision Power First Half Of The Centru
 - Exploring Different Genres
 - Considering Fiction vs. Non-Fiction
 - Determining Your Reading Goals
3. Choosing the Right eBook Platform
 - Popular eBook Platforms
 - Features to Look for in an Precision Power First Half Of The Centru
 - User-Friendly Interface
4. Exploring eBook Recommendations from Precision Power First Half Of The Centru
 - Personalized Recommendations
 - Precision Power First Half Of The Centru User Reviews and Ratings
 - Precision Power First Half Of The Centru and Bestseller Lists
5. Accessing Precision Power First Half Of The Centru Free and Paid eBooks

- Precision Power First Half Of The Centru Public Domain eBooks
 - Precision Power First Half Of The Centru eBook Subscription Services
 - Precision Power First Half Of The Centru Budget-Friendly Options
6. Navigating Precision Power First Half Of The Centru eBook Formats
 - ePub, PDF, MOBI, and More
 - Precision Power First Half Of The Centru Compatibility with Devices
 - Precision Power First Half Of The Centru Enhanced eBook Features
 7. Enhancing Your Reading Experience
 - Adjustable Fonts and Text Sizes of Precision Power First Half Of The Centru
 - Highlighting and Note-Taking Precision Power First Half Of The Centru
 - Interactive Elements Precision Power First Half Of The Centru
 8. Staying Engaged with Precision Power First Half Of The Centru
 - Joining Online Reading Communities
 - Participating in Virtual Book Clubs
 - Following Authors and Publishers Precision Power First Half Of The Centru
 9. Balancing eBooks and Physical Books Precision Power First Half Of The Centru
 - Benefits of a Digital Library
 - Creating a Diverse Reading Collection Precision Power First Half Of The Centru
 10. Overcoming Reading Challenges
 - Dealing with Digital Eye Strain
 - Minimizing Distractions
 - Managing Screen Time
 11. Cultivating a Reading Routine Precision Power First Half Of The Centru
 - Setting Reading Goals Precision Power First Half Of The Centru
 - Carving Out Dedicated Reading Time
 12. Sourcing Reliable Information of Precision Power First Half Of The Centru
 - Fact-Checking eBook Content of Precision Power First Half Of The Centru
 - Distinguishing Credible Sources
 13. Promoting Lifelong Learning
 - Utilizing eBooks for Skill Development

- Exploring Educational eBooks
14. Embracing eBook Trends
- Integration of Multimedia Elements
 - Interactive and Gamified eBooks

Precision Power First Half Of The Centru Introduction

In today's digital age, the availability of Precision Power First Half Of The Centru books and manuals for download has revolutionized the way we access information. Gone are the days of physically flipping through pages and carrying heavy textbooks or manuals. With just a few clicks, we can now access a wealth of knowledge from the comfort of our own homes or on the go. This article will explore the advantages of Precision Power First Half Of The Centru books and manuals for download, along with some popular platforms that offer these resources. One of the significant advantages of Precision Power First Half Of The Centru books and manuals for download is the cost-saving aspect. Traditional books and manuals can be costly, especially if you need to purchase several of them for educational or professional purposes. By accessing Precision Power First Half Of The Centru versions, you eliminate the need to spend money on physical copies. This not only saves you money but also reduces the environmental impact associated with book production and transportation. Furthermore, Precision Power First Half Of The Centru books and manuals for download are incredibly convenient. With just a computer or smartphone and an internet connection, you can access a vast library of resources on any subject imaginable. Whether you're a student looking for textbooks, a professional seeking industry-specific manuals, or someone interested in self-improvement, these digital resources provide an efficient and accessible means of acquiring knowledge. Moreover, PDF books and manuals offer a range of benefits compared to other digital formats. PDF files are designed to retain their formatting regardless of the device used to open them. This ensures that the content appears exactly as intended by the author, with no loss of formatting or missing graphics. Additionally, PDF files can be easily annotated, bookmarked, and searched for specific terms, making them highly practical for studying or referencing. When it comes to accessing Precision Power First Half Of The Centru books and manuals, several platforms offer an extensive collection of resources. One such platform is Project Gutenberg, a nonprofit organization that provides over 60,000 free eBooks. These books are primarily in the public domain, meaning they can be freely distributed and downloaded. Project Gutenberg offers a wide range of classic literature, making it an excellent resource for literature enthusiasts. Another popular platform for Precision Power First Half Of The Centru books and manuals is Open Library. Open Library is an initiative of the Internet Archive, a non-profit organization dedicated to digitizing cultural artifacts and making them accessible to the public. Open Library hosts millions of books, including both public domain works and contemporary titles. It also allows users to borrow digital copies of certain books for a limited

period, similar to a library lending system. Additionally, many universities and educational institutions have their own digital libraries that provide free access to PDF books and manuals. These libraries often offer academic texts, research papers, and technical manuals, making them invaluable resources for students and researchers. Some notable examples include MIT OpenCourseWare, which offers free access to course materials from the Massachusetts Institute of Technology, and the Digital Public Library of America, which provides a vast collection of digitized books and historical documents. In conclusion, Precision Power First Half Of The Centru books and manuals for download have transformed the way we access information. They provide a cost-effective and convenient means of acquiring knowledge, offering the ability to access a vast library of resources at our fingertips. With platforms like Project Gutenberg, Open Library, and various digital libraries offered by educational institutions, we have access to an ever-expanding collection of books and manuals. Whether for educational, professional, or personal purposes, these digital resources serve as valuable tools for continuous learning and self-improvement. So why not take advantage of the vast world of Precision Power First Half Of The Centru books and manuals for download and embark on your journey of knowledge?

FAQs About Precision Power First Half Of The Centru Books

1. Where can I buy Precision Power First Half Of The Centru books? Bookstores: Physical bookstores like Barnes & Noble, Waterstones, and independent local stores. Online Retailers: Amazon, Book Depository, and various online bookstores offer a wide range of books in physical and digital formats.
2. What are the different book formats available? Hardcover: Sturdy and durable, usually more expensive. Paperback: Cheaper, lighter, and more portable than hardcovers. E-books: Digital books available for e-readers like Kindle or software like Apple Books, Kindle, and Google Play Books.
3. How do I choose a Precision Power First Half Of The Centru book to read? Genres: Consider the genre you enjoy (fiction, non-fiction, mystery, sci-fi, etc.). Recommendations: Ask friends, join book clubs, or explore online reviews and recommendations. Author: If you like a particular author, you might enjoy more of their work.
4. How do I take care of Precision Power First Half Of The Centru books? Storage: Keep them away from direct sunlight and in a dry environment. Handling: Avoid folding pages, use bookmarks, and handle them with clean hands. Cleaning: Gently dust the covers and pages occasionally.
5. Can I borrow books without buying them? Public Libraries: Local libraries offer a wide range of books for borrowing. Book Swaps: Community book exchanges or online platforms where people exchange books.

6. How can I track my reading progress or manage my book collection? Book Tracking Apps: Goodreads, LibraryThing, and Book Catalogue are popular apps for tracking your reading progress and managing book collections. Spreadsheets: You can create your own spreadsheet to track books read, ratings, and other details.
7. What are Precision Power First Half Of The Centru audiobooks, and where can I find them? Audiobooks: Audio recordings of books, perfect for listening while commuting or multitasking. Platforms: Audible, LibriVox, and Google Play Books offer a wide selection of audiobooks.
8. How do I support authors or the book industry? Buy Books: Purchase books from authors or independent bookstores. Reviews: Leave reviews on platforms like Goodreads or Amazon. Promotion: Share your favorite books on social media or recommend them to friends.
9. Are there book clubs or reading communities I can join? Local Clubs: Check for local book clubs in libraries or community centers. Online Communities: Platforms like Goodreads have virtual book clubs and discussion groups.
10. Can I read Precision Power First Half Of The Centru books for free? Public Domain Books: Many classic books are available for free as they're in the public domain. Free E-books: Some websites offer free e-books legally, like Project Gutenberg or Open Library.

Find Precision Power First Half Of The Centru :

lord bacon

long trail of the texas longhorns

~~looking through the keyhole dissenting essays on the black experience~~

longarm and the two-bit posse

look what i see where can i be in the neighborhood

~~long ride to nowhere~~

look at the family now

longman gcse reference guide design and technology longman gcse reference guides

looking on deaf people and the organisation of services

loot methuen student editions

longevity the science of staying young

looking for snails on a sunday afternoon

longarm and the calico kid

longarm and the lone star rescue giant no. 4

long shadow culture politics in the mi

Precision Power First Half Of The Centru :

quatrevingt treize de victor hugo by pierre louis rey 2002 12 - Mar 08 2023

web quatrevingt treize de victor hugo by pierre louis rey 2002 12 04 amazon sg books skip to main content sg hello select your address all search amazon sg en hello sign in account lists returns orders cart all fresh fast best sellers today s

quatrevingt treize de victor hugo by pierre louis rey - Oct 15 2023

web victor hugo avait donc vocation à écrire un jour une oeuvre commémorant et expliquant l affrontement qui durant sept ans de 1793 à 1799 ensanglanta la france pierre louis rey 197 pages pocket book

quatrevingt treize de victor hugo by pierre louis book - Sep 14 2023

web quatrevingt treize de victor hugo by pierre louis ninety three illustrated edition victor hugo 2019 03 20 ninety three quatrevingt treize is the last novel by the french writer victor hugo published in 1874 shortly after the bloody upheaval of the paris commune the novel concerns the revolt in the vendée and

quatrevingt treize de victor hugo essai et dossier poche pierre - Jan 06 2023

web quatrevingt treize de victor hugo essai et dossier pierre louis rey gallimard des milliers de livres avec la livraison chez vous en 1 jour ou en magasin avec 5 de réduction quatrevingt treize de victor hugo essai et dossier poche pierre louis rey

faire de l histoire un roman quatrevingt treize victor hugo - May 30 2022

web en 1874 hugo publie son dernier roman quatrevingt treize dans lequel il s interroge sur la guerre de vendée son caractère fratricide et la violence révolutionnaire qu elle incarne il saisit ici un moment particulier de la révolution chargé de sens et en fait un roman il s agit donc d interroger les liens établis dans le roman entre la littérature et l histoire d

quatrevingt treize de victor hugo by pierre louis 2022 dotnbm - Feb 24 2022

web cette fiche de lecture sur quatre vingt treize de victor hugo propose une analyse complète de l oeuvre un résumé de quatre vingt treize biographie de victor hugo une présentation des

quatrevingt treize de victor hugo by pierre louis - Mar 28 2022

web the sources of victor hugo s quatrevingt treize the later novels of victor hugo character and meaning in the novels of victor hugo le rôle du personnage tellmarch dans le roman quatrevingt treize de victor hugo lire quatre vingt treize de victor hugo victor hugo et le désir de savoir dans quatrevingt treize la forêt mouillée la

quatrevingt treize l imânus paris musées - Apr 28 2022

web vers 1876 datation en siècle 4e quart du 19e siècle type s d objet s estampe arts graphiques dénomination s estampe

matériaux et techniques gravure sur bois institution maison de victor hugo hauteville house numéro d inventaire 2017 0 1181
1 voir les informations détaillées contenus en relation

quatrevingt treize broché victor hugo achat livre fnac - Jun 30 2022

web nov 5 2023 sku 5443841 publicité publicité 5 comparer tout supprimer quatrevingt treize victor hugo culturea des milliers de livres avec la livraison chez vous en 1 jour ou en magasin avec 5 de réduction

victor hugo ninety three quatrevingt treize fiction and film - Feb 07 2023

web in quatrevingt treize he returned to confront this theme and to tackle the first french revolution his task might have been pleasanter had he set his novel in 1789 the time of heady optimism when to invoke the phrase so often used since france gave the world liberty equality fraternity and the rights of man

quatrevingt treize de victor hugo essai et dossier pierre louis - Sep 02 2022

web quatrevingt treize de victor hugo essai et dossier par pierre louis rey aux éditions folio son père qui avait servi comme capitaine pendant la guerre de vendée signait alors volontiers le sans culotte brutus hugo sa mère née sophie trébuchet m

quatre vingt treize archive org - Oct 03 2022

web ii de la porte de pierre a la porte de fer iii ou l on voit se reveiller les enfants qu on a vus se rendormir livre sixieme c est apres la victoire qu a lieu le combat i lantenac pris ii gauvain pensif iii le capuchon du chef livre septieme feodalite et revolution i l ancetre ii la cour martiale

ninety three wikipedia - Aug 13 2023

web ninety three quatrevingt treize is the last novel by the french writer victor hugo published in 1874 three years after the bloody upheaval of the paris commune that resulted out of popular reaction to napoleon iii s failure to win the franco prussian war the novel concerns the revolt in the vendée and chouannerie the

quatrevingt treize de victor hugo rey pierre louis amazon fr - Jun 11 2023

web sa mère née sophie trébuchet morte en 1821 appartenait à une famille royaliste victor hugo avait donc vocation à écrire un jour une oeuvre commémorant et expliquant l affrontement qui durant sept ans de 1793 à 1799 ensanglanta la

quatrevingt treize de victor hugo by pierre louis rey open - Jul 12 2023

web dec 4 2002 quatrevingt treize de victor hugo by pierre louis rey december 4 2002 gallimard edition paperback

quatrevingt treize fiche de lecture encyclopædia universalis - Dec 05 2022

web rédigé de décembre 1872 à juin 1873 publié en 1874 quatrevingt treize est le dernier roman de victor hugo 1802 1885 l écrivain en forma le projet dès après la parution des misérables en 1862 À l origine l ouvrage devait conclure une trilogie romanesque qui aurait peint au préalable l ancienne angleterre puis l ancienne france

quatrevingt treize de victor hugo by pierre louis rey - Apr 09 2023

web click to read more about quatrevingt treize de victor hugo by pierre louis rey librarything is a cataloging and social networking site for booklovers all about quatrevingt treize de victor hugo by pierre louis rey

quatre vingt treize french edition by victor hugo goodreads - Aug 01 2022

web quatre vingt treize french edition by victor hugo goodreads browse news interviews jump to ratings and reviews to discover what your friends think of this book mesec u strelcu tout cela tient à ma perception de hugo

quatre vingt treize de victor hugo pierre louis rey - Nov 04 2022

web dec 4 2002 quatre vingt treize de victor hugo poche pierre louis rey note moyenne 1 note donner le premier avis un essai etude approfondie d un grand texte classique ou contemporain par un spécialiste de l oeuvre approche critique originale des multiples facettes lire la suite 10 20 neuf actuellement indisponible alerte

quatrevingt treize wikipedia - May 10 2023

web pierre louis rey quatrevingt treize de victor hugo gallimard foliothèque 2002 pierre laforgue hugo lecteur de balzac ou de montegnac à montreuil sur mer communication au groupe hugo du 8 avril 1995

[the other boley n girl bbc film](#) - Feb 08 2023

web mar 7 2008 the other boley n girl released 7 march 2008 i don t know what you said or did all i know is that a man who didn t know who you were came out besotted based on philippa gregory s hugely popular

the other boley n girl 2008 plot imdb - Apr 10 2023

web a sumptuous and sensual tale of intrigue romance and betrayal set against the backdrop of a defining moment in european history two beautiful sisters anne natalie portman and mary boley n scarlett johansson driven by their family s blind ambition compete for the love of the handsome and passionate king henry viii eric bana

[the other boley n girl wikipedia](#) - Aug 14 2023

web the other boley n girl 2001 is a historical novel written by british author philippa gregory loosely based on the life of 16th century aristocrat mary boley n the sister of anne boley n of whom little is known

the other boley n girl 2008 film wikipedia - Oct 16 2023

web the other boley n girl is a 2008 historical romantic drama film directed by justin chadwick the screenplay by peter morgan was adapted from philippa gregory s 2001 novel of the same name

watch the other boley n girl netflix - Jun 12 2023

web the other boley n girl 2008 maturity rating pg 13 1h 55m drama ambitious boley n sisters anne and mary compete for the heart of powerful but intemperate king henry viii starring natalie portman scarlett johansson eric bana watch all you want

the other boley n girl rotten tomatoes - May 11 2023

web movie info king henry viii eric bana lacks an heir seeing this as an opportunity for personal gain the duke of norfolk

david morrissey and sir thomas boley mark rylance persuade thomas

the other boley girl by philippa gregory goodreads - Jul 13 2023

web apr 21 2001 492 468 ratings 17 684 reviews this is an alternate cover edition of isbn 9780743227445 two sisters competing for the greatest prize the love of a king when mary boley comes to court as an innocent girl of

the other boley girl 2008 imdb - Sep 15 2023

web feb 29 2008 the other boley girl directed by justin chadwick with natalie portman scarlett johansson eric bana jim sturgess two sisters contend for the affection of king henry viii

the other boley girl movie review 2008 roger ebert - Mar 09 2023

web feb 28 2008 kristin scott thomas as lady elizabeth boley natalie portman as anne boley jim sturgess as george boley mark rylance as sir thomas boley eric bana as henry tudor scarlett johansson as mary boley directed by justin chadwick written by peter morgan based on the novel by philippa gregory

the other boley girl 2008 the movie database tmdb - Jan 07 2023

web feb 28 2008 screenplay a sumptuous and sensual tale of intrigue romance and betrayal set against the backdrop of a defining moment in european history two beautiful sisters anne and mary boley driven by their family s blind ambition compete for the love of the handsome and passionate king henry viii

coach de basket les 5 clefs indispensables pour être efficace - Dec 26 2021

web l humilité en tant que coach vous êtes surement légitime si l on vous à donné cette place ou que vous vous êtes proposé c est que vous avez des compétences techniques

mon carnet de coach basketball cra c ez et dessin download - Feb 25 2022

web mon carnet de coach joueur ou fan de basketball coaching et aussi pour entraînement i entraîneur ce carnet de notes est un cadeau original pour écrire son entraînement du

mon carnet de coach basketball créez et dessinez vos - Oct 04 2022

web outcoachez les tous mon carnet de coach est votre playbook basketball pour créer et dessiner tous vos systèmes 20 demi terrains 20 terrains complets nom et description

mon carnet de coach basketball cra c ez et dessin pdf book - Apr 10 2023

web jun 27 2023 mon carnet de coach basketball cra c ez et dessin pdf mon carnet de coach basketball cra c ez et dessin pdf is available in our digital library an online

mon carnet de coach basketball cra c ez et dessin pdf pdf - Jul 13 2023

web mon carnet de coach basketball cra c ez et dessin pdf pages 3 11 mon carnet de coach basketball cra c ez et dessin pdf upload herison g hayda 3 11 downloaded

mon carnet de coach basketball cra c ez et dessin henry - Jun 12 2023

web this is likewise one of the factors by obtaining the soft documents of this mon carnet de coach basketball cra c ez et dessin by online you might not require more era to

carnet d entraîneur cahier d entraînement basketball amazon fr - Jan 27 2022

web noté 5 retrouvez carnet d entraîneur cahier d entraînement basketball composition tactique score note idéal cadeau pour les passionnés du basket et des

mon carnet de coach basketball cra c ez et dessin copy - Mar 29 2022

web mon carnet de coach basketball cra c ez et dessin 1 mon carnet de coach basketball cra c ez et dessin the boy next room vol 2 deliciously ella smoothies

mon carnet de coach basketball cra c ez et dessin download - May 11 2023

web mon carnet de coach basketball cra c ez et dessin 3 3 jeunes adultes this work looks at the surge of bretons who left their homes in western france in the latter half of the

[mon carnet de coach basketball cra c ez et dessin](#) - Sep 22 2021

web mon carnet de coach joueur ou fan de basketball coaching et aussi pour entraînement i entraîneur ce carnet de notes est un cadeau original pour écrire son entraînement du

mon carnet de coach basketball cra c ez et dessin - Dec 06 2022

web 2 mon carnet de coach basketball cra c ez et dessin 2022 01 14 the world won the cwa ian fleming steel dagger award and the itw thriller award for best first novel

[mon carnet de coach basketball cra c ez et dessin ftp](#) - Nov 05 2022

web 2 mon carnet de coach basketball cra c ez et dessin 2022 08 31 mon carnet de coach basketball cra c ez et dessin downloaded from ftp adaircountymissouri com

mon carnet de coach basketball cra c ez et dessin pdf - Aug 02 2022

web 2 mon carnet de coach basketball cra c ez et dessin 2021 04 12 and exercise physiology are two closely related sport sciences that examine how muscle activity alters

mon carnet de coach basketball créez et dessinez vos - Aug 14 2023

web outcoachez les tous mon carnet de coach est votre playbook basketball pour créer et dessiner tous vos systèmes 20 demi terrains 20 terrains complets nom et description

mon carnet de coach basketball cra c ez et dessin download - Mar 09 2023

web ce carnet a pour objectif de vous accompagner dans le suivi de vos matchs de basket ball durant toute votre saison d entraîneur après avoir renseigné votre club l équipe que vous

comment rédiger un bon cv basket inside basket - Nov 24 2021

web jan 9 2021 que vous soyez un jeune sportif en recherche d un club pour votre carrière ou que vous souhaitez en savoir plus sur le métier de coach sportif la rédaction d un

mon carnet de coach basketball cra c ez et dessin pdf - Feb 08 2023

web mon carnet de coach basketball cra c ez et dessin downloaded from customizer monos com by guest darryl mills the soccer fence w w norton

mon carnet de coach basketball créez et dessinez vos - Sep 03 2022

web outcoachez les tous mon carnet de coach est votre playbook basketball pour créer et dessiner tous vos systèmes 20 demi terrains 20 terrains complets nom et description

mon carnet de coach basketball créez et dessinez vos - May 31 2022

web outcoachez les tous mon carnet de coach est votre playbook basketball pour créer et dessiner tous vos systèmes 20 demi terrains 20 terrains complets nom et description

mon carnet de coach basketball cra c ez et dessin copy - Apr 29 2022

web jul 4 2023 mon carnet de coach basketball cra c ez et dessin is available in our digital library an online access to it is set as public so you can download it instantly our books

mon carnet de coach basketball créez et dessinez vos - Oct 24 2021

web outcoachez les tous mon carnet de coach est votre playbook basketball pour créer et dessiner tous vos systèmes 20 demi terrains 20 terrains complets nom et description

mon carnet de coach basketball cra c ez et dessin pdf - Jul 01 2022

web mon carnet de coach basketball cra c ez et dessin mon carnet de coach tricolore 2 heath s standard french and english dictionary french english with supplement

mon carnet de coach basketball cra c ez et dessin - Jan 07 2023

web mon carnet de coach basketball fair shares for all mon carnet de match heath s standard french and english dictionary french english with supplement 1961 bliss