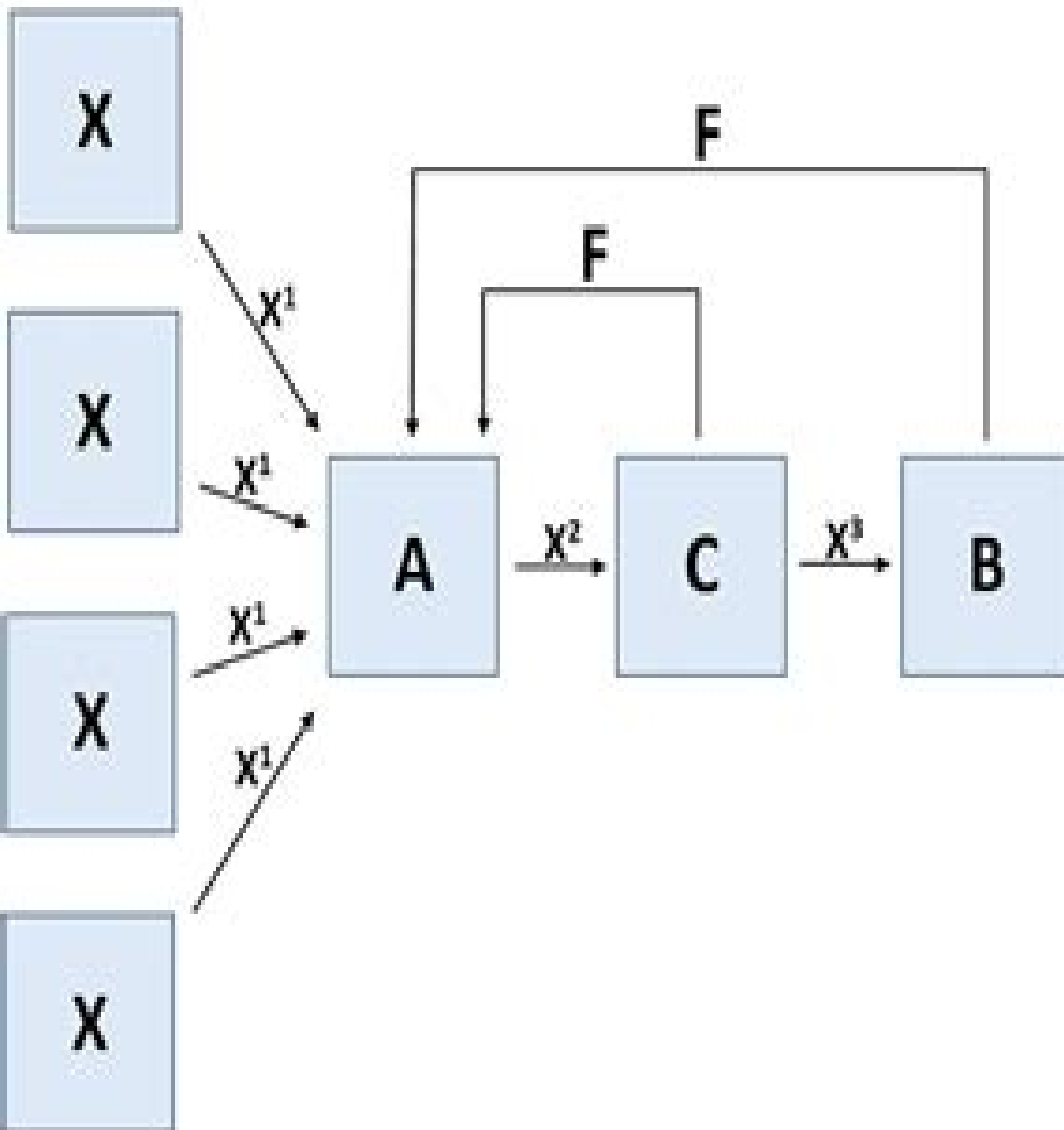


The Westley and Maclean Model of Communication



X = Environmental Factors

The factors that influence why the message is created in the first place.

A = Sender

The person who sends the message.

B = Receiver

The person who receives the message.

C = Gatekeeper

The editor of the message, such as a newspaper editor. Common in mass communication.

F = Feedback

The return messages sent back to the sender. These can help shape future messages.

X¹ = Sensory Experience

The ways we receive messages, which also shape the content of our future messages.

X² = Object of Orientation (Sender)

The beliefs, culture and background of the sender which influence the sender's message.

X³ = Object of Orientation (Receiver)

The beliefs, culture and background of the receiver which influence the receiver's interpretation.

Modern Communication Circuits

**Marcelo Sampaio de Alencar, Raphael
Tavares de Alencar, Raissa Bezerra
Rocha, Ana Isabela Cunha**

Modern Communication Circuits:

Modern Communication Circuits Jack Smith, 1986 **Modern Communication Circuits** Jack R. Smith, 1998 This text combines material from the traditional electronic circuits course with communication theory. It focuses on three areas: the use of frequencies above 100MHz, use of digital receivers, and using SPICE for circuit analysis. *Modern Communication Circuits* Smith, 1998-04 *Modern Communications Receiver Design and Technology* Cornell Drentea, 2010 This comprehensive sourcebook thoroughly explores the state of the art in communications receivers, providing detailed practical guidance for constructing an actual high dynamic range receiver from system design to packaging. You also find clear explanations of the technical underpinnings that you need to understand for your work in the field. This cutting edge reference presents the latest information on modern superheterodyne receivers, dynamic range mixers, oscillators, complex coherent synthesizers, automatic gain control, DSP, and software radios. You find in depth discussions on system design including coverage of all pertinent data and tools. Moreover, the book offers you a solid understanding of packaging and mechanical considerations, as well as a look at tomorrow's receiver technology, including new Bragg cell applications for ultra wideband electronic warfare receivers. This one stop resource is packed with over 300 illustrations that support critical topics throughout. **Solutions Manual to Accompany Modern Communication Circuits** Jack L. Smith, 1985

Essentials of Modern Communications Djafar K. Mynbaev, Lowell L. Scheiner, 2020-07-09 Explore Modern Communications and Understand Principles of Operations, Appropriate Technologies, and Elements of Design of Communication Systems. Modern society requires a different set of communication systems than has any previous generation. To maintain and improve the contemporary communication systems that meet ever-changing requirements, engineers need to know how to recognize and solve cardinal problems. In Essentials of Modern Communications, readers will learn how modern communication has expanded and will discover where it is likely to go in the future. By discussing the fundamental principles, methods, and techniques used in various communication systems, this book helps engineers assess, troubleshoot, and fix problems that are likely to occur. In this reference, readers will learn about topics like: How communication systems respond in time and frequency domains; Principles of analog and digital modulations; Application of spectral analysis to modern communication systems based on the Fourier series and Fourier transform; Specific examples and problems with discussions around their optimal solutions, limitations, and applications; Approaches to solving the concrete engineering problems of modern communications based on critical, logical, creative, and out-of-the-box thinking. For readers looking for a resource on the fundamentals of modern communications and the possible issues they face, Essentials of Modern Communications is instrumental in educating on real-life problems that engineering students and professionals are likely to encounter.

Modern Communication Systems Leon W. Couch, 1995 This treatment of modern communication systems presents practical design applications as developed from basic principles. After covering the basic principles of digital and analog

baseband and bandpass signals the text includes practical design examples that illustrate transmitter and receiver blocks effects of nonlinearities spectral characteristics and noise performance It is designed for students studying courses in communication systems digital and computer communications or telecommunication systems and standards *Modern Communications and Spread Spectrum* George R. Cooper,Clare D. McGillem,1986 Linear Electronics Marcelo Sampaio de Alencar,Raphael Tavares de Alencar,Raissa Bezerra Rocha,Ana Isabela Cunha,2022-09-01 A considerable amount of effort has been devoted both in industry and academia towards the design performance analysis and evaluation of amplification schemes and filters to be used in control systems audio video equipment instrumentation and communication systems This book is intended to serve as a complementary textbook for courses dealing with Linear Amplification but also as a professional book for engineers who need to update their knowledge in the electronics control and communications areas The book is suitable for the undergraduate as well as the initial graduate levels of Electrical Engineering courses and is useful for the professional who wants to review or get acquainted with amplification theory The book presents essential concepts in plain language and covers the most important applications of amplifier circuits The book has four appendices an appendix to detail the operational amplifier model an appendix with specification data sheets an appendix on Fourier transform and signal spectrum including the concepts of convolution autocorrelation and power spectral density for deterministic signals and a final one that presents and explains the usual electronics acronyms **Electronics for Modern Communications** George J. Angerbauer,1974 **Railway Signaling and Communications** ,1961 *Modern Railroads* ,1948 **Modern Electronic Communication Techniques** Harold B. Killen,1985 *Proceedings of the Institution of Electrical Engineers* Institution of Electrical Engineers,1930 Vols 56 61 accompanied by Institution notes no 1 40 Dec 1917 Oct 1923 v 10 and 57 each accompanied by a suppl other vols accompanied by special issues and supplements Modern Data Communication William P. Davenport,1971 **Modern Mining** ,1924 **The Louisville & Nashville Employes' Magazine** ,1942 **Modern Electronic Communication** Gary M. Miller,Jeffrey S. Beasley,2022 Completely revised and updated to incorporate all of the latest information available concerning this intriguing and ever changing field this edition of Modern Electronic Communication sets every standard for comprehensiveness quality of presentation and instructional approach Key pedagogical features contribute to this best selling text s popularity and effectiveness as an invaluable learning tool and reference TROUBLESHOOTING very important to employers is addressed in a separate section in every chapter to develop and enhance the readers problem solving skills as well as their ability to anticipate problems before they occur OBJECTIVES and INTRODUCTION at the beginning of each chapter clearly outline specific goals for the reader LIBERAL USE OF COLOR throughout the text provides necessary clarification of illustrations while adding interest and appeal EXTENSIVE PROBLEM SETS WORKED OUT EXAMPLES AND END OF CHAPTER SUMMARIES QUESTIONS AND PROBLEMS including Questions for Critical Thinking highlight and strengthen the impact of key points KEY TERMS with

definitions are highlighted in the margins as they are introduced to foster inquisitiveness and ensure retention GLOSSARY OF TERMS and DIRECTORY OF ACRONYMS at the end of the book are convenient comprehensive and essential references for anyone involved in the industry In addition all new to the seventh edition TROUBLESHOOTING WITH ELECTRONICS WORKBENCH™ MULTISIM Each chapter contains EWB Multisim circuit simulations and troubleshooting exercises ACCOMPANYING CD ROM brings over 90 percent of the circuit diagrams from the text to life through Electronics Workbench software NEW CONTENT AREAS are provided to reflect developments and changes in the industry For more information about this book visit our web site at <http://www.prenhall.com/miller> *Modern Wireless Radio Communication Circuits* Ron Larson, **IEEE Communications Society's Tutorials in Modern Communications** Victor B. Lawrence, Joseph L. LoCicero, Laurence B. Milstein, 1983

Eventually, you will certainly discover a extra experience and deed by spending more cash. nevertheless when? realize you understand that you require to get those all needs later than having significantly cash? Why dont you attempt to acquire something basic in the beginning? Thats something that will lead you to understand even more roughly the globe, experience, some places, as soon as history, amusement, and a lot more?

It is your extremely own epoch to performance reviewing habit. in the middle of guides you could enjoy now is **Modern Commuication Circuits** below.

https://www.staging.gilderlehrman.org/results/virtual-library/default.aspx/easy_method_to_grow_email_list_using_ai_for_small_business_owners_batch20_1374.pdf

Table of Contents Modern Commuication Circuits

1. Understanding the eBook Modern Commuication Circuits
 - The Rise of Digital Reading Modern Commuication Circuits
 - Advantages of eBooks Over Traditional Books
2. Identifying Modern Commuication Circuits
 - Exploring Different Genres
 - Considering Fiction vs. Non-Fiction
 - Determining Your Reading Goals
3. Choosing the Right eBook Platform
 - Popular eBook Platforms
 - Features to Look for in an Modern Commuication Circuits
 - User-Friendly Interface
4. Exploring eBook Recommendations from Modern Commuication Circuits
 - Personalized Recommendations
 - Modern Commuication Circuits User Reviews and Ratings
 - Modern Commuication Circuits and Bestseller Lists

5. Accessing Modern Communication Circuits Free and Paid eBooks
 - Modern Communication Circuits Public Domain eBooks
 - Modern Communication Circuits eBook Subscription Services
 - Modern Communication Circuits Budget-Friendly Options
6. Navigating Modern Communication Circuits eBook Formats
 - ePub, PDF, MOBI, and More
 - Modern Communication Circuits Compatibility with Devices
 - Modern Communication Circuits Enhanced eBook Features
7. Enhancing Your Reading Experience
 - Adjustable Fonts and Text Sizes of Modern Communication Circuits
 - Highlighting and Note-Taking Modern Communication Circuits
 - Interactive Elements Modern Communication Circuits
8. Staying Engaged with Modern Communication Circuits
 - Joining Online Reading Communities
 - Participating in Virtual Book Clubs
 - Following Authors and Publishers Modern Communication Circuits
9. Balancing eBooks and Physical Books Modern Communication Circuits
 - Benefits of a Digital Library
 - Creating a Diverse Reading Collection Modern Communication Circuits
10. Overcoming Reading Challenges
 - Dealing with Digital Eye Strain
 - Minimizing Distractions
 - Managing Screen Time
11. Cultivating a Reading Routine Modern Communication Circuits
 - Setting Reading Goals Modern Communication Circuits
 - Carving Out Dedicated Reading Time
12. Sourcing Reliable Information of Modern Communication Circuits
 - Fact-Checking eBook Content of Modern Communication Circuits
 - Distinguishing Credible Sources
13. Promoting Lifelong Learning

- Utilizing eBooks for Skill Development
 - Exploring Educational eBooks
14. Embracing eBook Trends
- Integration of Multimedia Elements
 - Interactive and Gamified eBooks

Modern Communication Circuits Introduction

In today's digital age, the availability of Modern Communication Circuits books and manuals for download has revolutionized the way we access information. Gone are the days of physically flipping through pages and carrying heavy textbooks or manuals. With just a few clicks, we can now access a wealth of knowledge from the comfort of our own homes or on the go. This article will explore the advantages of Modern Communication Circuits books and manuals for download, along with some popular platforms that offer these resources. One of the significant advantages of Modern Communication Circuits books and manuals for download is the cost-saving aspect. Traditional books and manuals can be costly, especially if you need to purchase several of them for educational or professional purposes. By accessing Modern Communication Circuits versions, you eliminate the need to spend money on physical copies. This not only saves you money but also reduces the environmental impact associated with book production and transportation. Furthermore, Modern Communication Circuits books and manuals for download are incredibly convenient. With just a computer or smartphone and an internet connection, you can access a vast library of resources on any subject imaginable. Whether you're a student looking for textbooks, a professional seeking industry-specific manuals, or someone interested in self-improvement, these digital resources provide an efficient and accessible means of acquiring knowledge. Moreover, PDF books and manuals offer a range of benefits compared to other digital formats. PDF files are designed to retain their formatting regardless of the device used to open them. This ensures that the content appears exactly as intended by the author, with no loss of formatting or missing graphics. Additionally, PDF files can be easily annotated, bookmarked, and searched for specific terms, making them highly practical for studying or referencing. When it comes to accessing Modern Communication Circuits books and manuals, several platforms offer an extensive collection of resources. One such platform is Project Gutenberg, a nonprofit organization that provides over 60,000 free eBooks. These books are primarily in the public domain, meaning they can be freely distributed and downloaded. Project Gutenberg offers a wide range of classic literature, making it an excellent resource for literature enthusiasts. Another popular platform for Modern Communication Circuits books and manuals is Open Library. Open Library is an initiative of the Internet Archive, a non-profit organization dedicated to digitizing cultural artifacts and making them accessible to the public. Open Library hosts millions of books, including both public domain works and contemporary titles. It also allows users to

borrow digital copies of certain books for a limited period, similar to a library lending system. Additionally, many universities and educational institutions have their own digital libraries that provide free access to PDF books and manuals. These libraries often offer academic texts, research papers, and technical manuals, making them invaluable resources for students and researchers. Some notable examples include MIT OpenCourseWare, which offers free access to course materials from the Massachusetts Institute of Technology, and the Digital Public Library of America, which provides a vast collection of digitized books and historical documents. In conclusion, Modern Communication Circuits books and manuals for download have transformed the way we access information. They provide a cost-effective and convenient means of acquiring knowledge, offering the ability to access a vast library of resources at our fingertips. With platforms like Project Gutenberg, Open Library, and various digital libraries offered by educational institutions, we have access to an ever-expanding collection of books and manuals. Whether for educational, professional, or personal purposes, these digital resources serve as valuable tools for continuous learning and self-improvement. So why not take advantage of the vast world of Modern Communication Circuits books and manuals for download and embark on your journey of knowledge?

FAQs About Modern Communication Circuits Books

How do I know which eBook platform is the best for me? Finding the best eBook platform depends on your reading preferences and device compatibility. Research different platforms, read user reviews, and explore their features before making a choice. Are free eBooks of good quality? Yes, many reputable platforms offer high-quality free eBooks, including classics and public domain works. However, make sure to verify the source to ensure the eBook credibility. Can I read eBooks without an eReader? Absolutely! Most eBook platforms offer web-based readers or mobile apps that allow you to read eBooks on your computer, tablet, or smartphone. How do I avoid digital eye strain while reading eBooks? To prevent digital eye strain, take regular breaks, adjust the font size and background color, and ensure proper lighting while reading eBooks. What the advantage of interactive eBooks? Interactive eBooks incorporate multimedia elements, quizzes, and activities, enhancing the reader engagement and providing a more immersive learning experience. Modern Communication Circuits is one of the best book in our library for free trial. We provide copy of Modern Communication Circuits in digital format, so the resources that you find are reliable. There are also many Ebooks of related with Modern Communication Circuits. Where to download Modern Communication Circuits online for free? Are you looking for Modern Communication Circuits PDF? This is definitely going to save you time and cash in something you should think about.

Find Modern Communication Circuits :

easy method to grow email list using AI for small business owners BATCH20-1374

complete beginner guide to use AI for YouTube automation without paid ads BATCH20-1831

affordable way to use AI for YouTube automation organically BATCH20-1954

without experience how to use AI for Instagram marketing with free tools BATCH20-2372

affordable way to use AI for blogging for content creators BATCH20-2335

step by step guide to sell AI generated art in 2026 BATCH20-182

how to automate business with AI organically BATCH20-221

affordable way to automate business with AI with free tools BATCH20-161

best way to use AI for TikTok growth for content creators BATCH20-1217

easy method to grow email list using AI organically BATCH20-440

step by step guide to use AI for local SEO without paid ads BATCH20-1382

how to create marketing funnel with AI for beginners BATCH20-1893

step by step guide to start AI side hustle organically BATCH20-270

how to create digital products with AI for content creators BATCH20-1351

free way to rank website using AI SEO tools for content creators BATCH20-1881

Modern Communication Circuits :

A Course in Phonetics - Answers | PDF Answers to exercises in A Course in Phonetics. Chapter 1. A: (1) 1: upper lip. 2: (upper) teeth 3: alveolar ridge 34800259-a-course-in-phonetics-Answers.pdf - Answers to... Answers to exercises in A Course in Phonetics Chapter 1 A: (1) 1: upper lip ... Key is 6|3 = 63. Report values for Leaf column in increasing order and do not ... Answers to exercises in A Course in Phonetics. Chapter 1 Answers to exercises in A Course in Phonetics ; Chapter 1 ; (1) 1: upper lip ; 2: (upper) teeth ; 3: alveolar ridge. Chapter 2: Exercise J Chapter 2: Exercise J. Read the following passages in phonetic transcription. The first, which represents a form of British English of the kind spoken by ... A course in phonetics ladefoged 7th edition pdf answer key Dr. Johnson's research and teaching on acoustic phonetics and psycholinguistics is widely recognized. personal financial planning gitman Answers to exercises in ... Answer Key for Phonetics Exercises.docx View Answer Key for Phonetics Exercises.docx from LINGUISTIC 249 at Ivy Tech Community College, Indianapolis. Answer Key for Chapter 2 Phonetics Exercises ... Course in Phonetics Performance Exercise A Chapter 5. British English. American English. Untitled Document <http://hctv.humnet.ucla.edu/departments/> ... Phonetics Exercise Answers English Language Esl

Learning Nov 29, 2023 — RELATED TO PHONETICS EXERCISE. ANSWERS ENGLISH LANGUAGE ESL. LEARNING FOR ALL AGES AND. READING LEVELS. • Go Math Answer Key • Herbalism Guide ... Phonetics Exercises—Answers, P. 1 Answer the following questions. a). What voiced consonant has the same place of articulation as [t] and the same manner of articulation as [f]? ... Understanding the Times Teacher Manual (5th) The Understanding the Times curriculum series provides your school with the most comprehensive biblical worldview course ever created. Understanding the Times (Teachers Manual) (A ... This is the Teachers Manual for the Understanding the Times curriculum for 12th grade that brings a host of Christian worldview and apologetic experts into ... Understanding the Times Teacher's Manual Title: This homeschool product specifically reflects a Christian worldview. Understanding the Times Teacher's Manual ; Format: Spiral Bound ; Number of Pages: 510 TEACHER MANUAL UNDERSTANDING THE TIMES SERIES. TEACHER MANUAL. Page 2. UNDERSTANDING THE TIMES TEACHER MANUAL (5th Edition). Published by Summit Ministries. P.O. Box 207. Samples - Understanding the Times Download sample materials for the Homeschool Version. Both downloads include two weeks of content from Teacher's Manual, Student's Manual, and Textbook for ... Understanding the Times (Teachers Manual) (A ... Understanding the Times (Teachers Manual) (A Comparative Worldview and Apologetics Curriculum) by David Noebel; Kevin Bywater; Jeff Myers; Connie Williams; ... Understanding the Times Teacher Manual (5th Edition) Oct 19, 2021 — Large spiral bound, hard-cover Teacher Guide provides an overview, standard syllabus and schedule (5 days per week for 36 weeks). The unit ... Welcome to the Understanding the Times series The digital platform gives teacher and students access to the entire Understanding the Times curriculum: textbook, additional readings, videos, and an easily ... Understanding the Times This book is about competing worldviews. Its goal is to help Christian students recognize the significance of some of the most influential yet damaging ideas ... Understanding the Times Book Series Find the complete Understanding the Times book series by Jeff Myers & David A. Noebel. Great deals on one book or all books in the series. I am looking for wire diagram for chevy aveo 2005. Jan 17, 2009 — I'am looking for wire diagram for chevy aveo 2005. - Answered by a verified Chevy Mechanic. ... 2005 Chevy Aveo: spark plugs and wires..coil.. SOLVED: Diagram for 2005 chevy aveo firing order Aug 6, 2012 — Spark plug firing order for 2005 chevrolet aveo 4 cylinder. Firing order 1-3-4-2. Cylinders numbered 1 to 4 from passenger side to driver side. I need help with a complete wiring diagram of a Chevrolet Jul 21, 2023 — I need help with a complete wiring diagram of a Chevrolet... Hi my name is***** need help with a complete wiring diagram of a Chevrolet Aveo vin : ... 2004-2008 Chevy Aveo spark plug and wire set replacement Chevrolet Aveo Partial Wiring | PDF | Color | Trunk (Car) 2005 Chevrolet Trailblazer Vehicle Wiring Chart and Diagram. PCC Supplies. CKT Radiok1500. 09 Aveo coil pack wiring Oct 1, 2016 — As long as the plug threads are grounded somewhere, they should spark. You can also do this to check if there is gas in the cylinders (don't do ... How To Change Spark Plugs And Wires In A 2004-2009 ... 2005-2006 Chevrolet Aveo Wiring Diagram Commando Car Alarms offers free wiring diagrams for your 2005-2006 Chevrolet Aveo. Use this information for

installing car alarm, remote car starters and ... Ignition Firing Order Diagram: It Is a 2007 Chevrolet Aveo ... Oct 19, 2013 — Here is the firing order. Firing Order. 1-3-4-2. When looking at the front of the vehicle. Cylinder 1 is all the way to ...