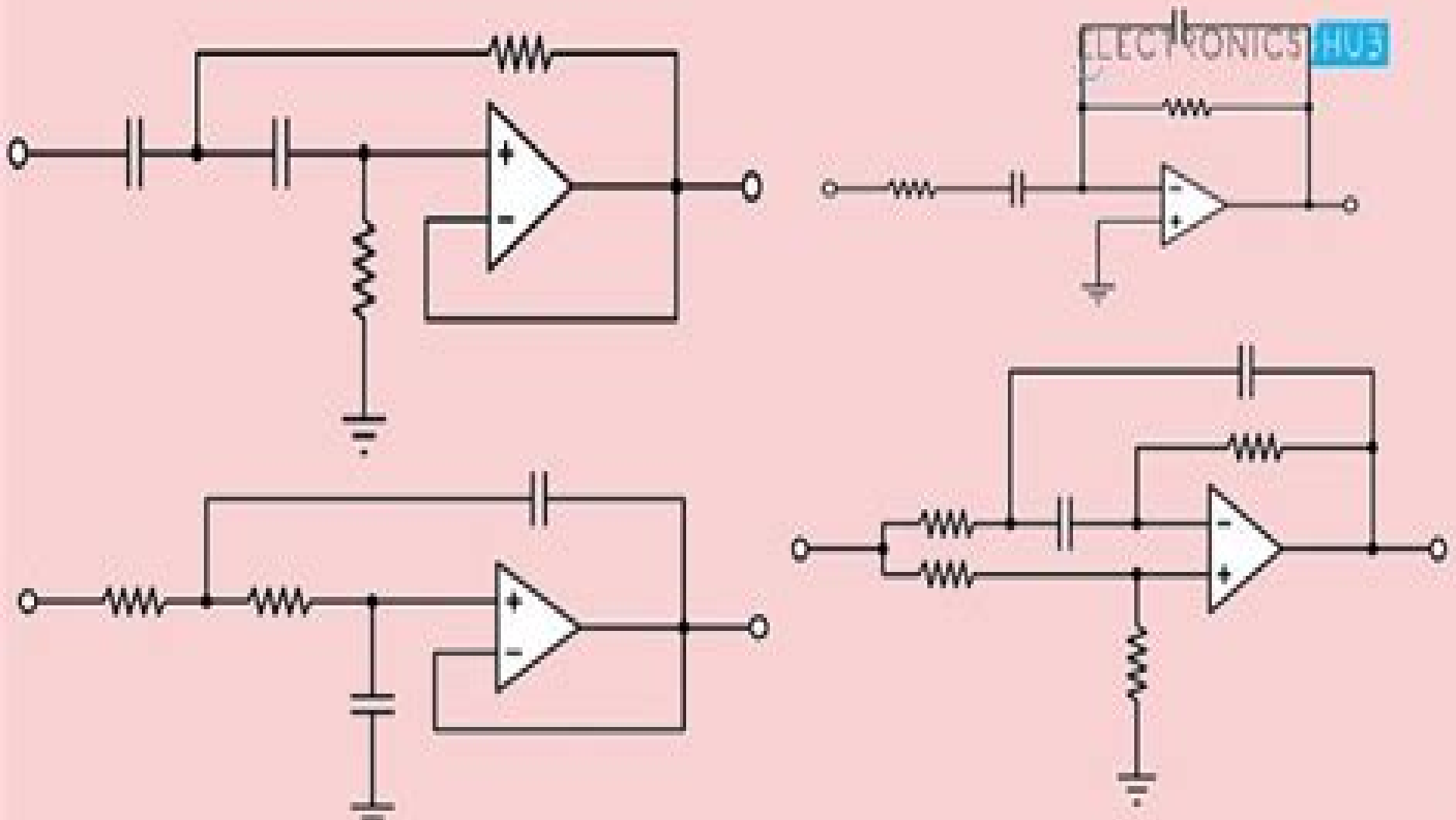


# Active Filters Design



# Modern Active Filter Design

**WJ Hussar**



## **Modern Active Filter Design:**

As recognized, adventure as without difficulty as experience practically lesson, amusement, as without difficulty as union can be gotten by just checking out a ebook **Modern Active Filter Design** then it is not directly done, you could admit even more vis--vis this life, in relation to the world.

We have the funds for you this proper as capably as simple way to get those all. We give Modern Active Filter Design and numerous ebook collections from fictions to scientific research in any way. among them is this Modern Active Filter Design that can be your partner.

<https://www.staging.gilderlehrman.org/book/scholarship/fetch.php/Free%20Way%20To%20Start%20AI%20Consulting%20Business%20For%20Beginners%20BATCH84%20108.pdf>

## **Table of Contents Modern Active Filter Design**

1. Understanding the eBook Modern Active Filter Design
  - The Rise of Digital Reading Modern Active Filter Design
  - Advantages of eBooks Over Traditional Books
2. Identifying Modern Active Filter Design
  - Exploring Different Genres
  - Considering Fiction vs. Non-Fiction
  - Determining Your Reading Goals
3. Choosing the Right eBook Platform
  - Popular eBook Platforms
  - Features to Look for in an Modern Active Filter Design
  - User-Friendly Interface
4. Exploring eBook Recommendations from Modern Active Filter Design
  - Personalized Recommendations
  - Modern Active Filter Design User Reviews and Ratings
  - Modern Active Filter Design and Bestseller Lists

5. Accessing Modern Active Filter Design Free and Paid eBooks
  - Modern Active Filter Design Public Domain eBooks
  - Modern Active Filter Design eBook Subscription Services
  - Modern Active Filter Design Budget-Friendly Options
6. Navigating Modern Active Filter Design eBook Formats
  - ePub, PDF, MOBI, and More
  - Modern Active Filter Design Compatibility with Devices
  - Modern Active Filter Design Enhanced eBook Features
7. Enhancing Your Reading Experience
  - Adjustable Fonts and Text Sizes of Modern Active Filter Design
  - Highlighting and Note-Taking Modern Active Filter Design
  - Interactive Elements Modern Active Filter Design
8. Staying Engaged with Modern Active Filter Design
  - Joining Online Reading Communities
  - Participating in Virtual Book Clubs
  - Following Authors and Publishers Modern Active Filter Design
9. Balancing eBooks and Physical Books Modern Active Filter Design
  - Benefits of a Digital Library
  - Creating a Diverse Reading Collection Modern Active Filter Design
10. Overcoming Reading Challenges
  - Dealing with Digital Eye Strain
  - Minimizing Distractions
  - Managing Screen Time
11. Cultivating a Reading Routine Modern Active Filter Design
  - Setting Reading Goals Modern Active Filter Design
  - Carving Out Dedicated Reading Time
12. Sourcing Reliable Information of Modern Active Filter Design
  - Fact-Checking eBook Content of Modern Active Filter Design
  - Distinguishing Credible Sources
13. Promoting Lifelong Learning

- Utilizing eBooks for Skill Development
  - Exploring Educational eBooks
14. Embracing eBook Trends
- Integration of Multimedia Elements
  - Interactive and Gamified eBooks

### **Modern Active Filter Design Introduction**

In the digital age, access to information has become easier than ever before. The ability to download Modern Active Filter Design has revolutionized the way we consume written content. Whether you are a student looking for course material, an avid reader searching for your next favorite book, or a professional seeking research papers, the option to download Modern Active Filter Design has opened up a world of possibilities. Downloading Modern Active Filter Design provides numerous advantages over physical copies of books and documents. Firstly, it is incredibly convenient. Gone are the days of carrying around heavy textbooks or bulky folders filled with papers. With the click of a button, you can gain immediate access to valuable resources on any device. This convenience allows for efficient studying, researching, and reading on the go. Moreover, the cost-effective nature of downloading Modern Active Filter Design has democratized knowledge. Traditional books and academic journals can be expensive, making it difficult for individuals with limited financial resources to access information. By offering free PDF downloads, publishers and authors are enabling a wider audience to benefit from their work. This inclusivity promotes equal opportunities for learning and personal growth. There are numerous websites and platforms where individuals can download Modern Active Filter Design. These websites range from academic databases offering research papers and journals to online libraries with an expansive collection of books from various genres. Many authors and publishers also upload their work to specific websites, granting readers access to their content without any charge. These platforms not only provide access to existing literature but also serve as an excellent platform for undiscovered authors to share their work with the world. However, it is essential to be cautious while downloading Modern Active Filter Design. Some websites may offer pirated or illegally obtained copies of copyrighted material. Engaging in such activities not only violates copyright laws but also undermines the efforts of authors, publishers, and researchers. To ensure ethical downloading, it is advisable to utilize reputable websites that prioritize the legal distribution of content. When downloading Modern Active Filter Design, users should also consider the potential security risks associated with online platforms. Malicious actors may exploit vulnerabilities in unprotected websites to distribute malware or steal personal information. To protect themselves, individuals should ensure their devices have reliable antivirus software installed and validate the legitimacy of the websites they are downloading from. In conclusion, the ability to download Modern Active

Filter Design has transformed the way we access information. With the convenience, cost-effectiveness, and accessibility it offers, free PDF downloads have become a popular choice for students, researchers, and book lovers worldwide. However, it is crucial to engage in ethical downloading practices and prioritize personal security when utilizing online platforms. By doing so, individuals can make the most of the vast array of free PDF resources available and embark on a journey of continuous learning and intellectual growth.

### FAQs About Modern Active Filter Design Books

1. Where can I buy Modern Active Filter Design books? Bookstores: Physical bookstores like Barnes & Noble, Waterstones, and independent local stores. Online Retailers: Amazon, Book Depository, and various online bookstores offer a wide range of books in physical and digital formats.
2. What are the different book formats available? Hardcover: Sturdy and durable, usually more expensive. Paperback: Cheaper, lighter, and more portable than hardcovers. E-books: Digital books available for e-readers like Kindle or software like Apple Books, Kindle, and Google Play Books.
3. How do I choose a Modern Active Filter Design book to read? Genres: Consider the genre you enjoy (fiction, non-fiction, mystery, sci-fi, etc.). Recommendations: Ask friends, join book clubs, or explore online reviews and recommendations. Author: If you like a particular author, you might enjoy more of their work.
4. How do I take care of Modern Active Filter Design books? Storage: Keep them away from direct sunlight and in a dry environment. Handling: Avoid folding pages, use bookmarks, and handle them with clean hands. Cleaning: Gently dust the covers and pages occasionally.
5. Can I borrow books without buying them? Public Libraries: Local libraries offer a wide range of books for borrowing. Book Swaps: Community book exchanges or online platforms where people exchange books.
6. How can I track my reading progress or manage my book collection? Book Tracking Apps: Goodreads, LibraryThing, and Book Catalogue are popular apps for tracking your reading progress and managing book collections. Spreadsheets: You can create your own spreadsheet to track books read, ratings, and other details.
7. What are Modern Active Filter Design audiobooks, and where can I find them? Audiobooks: Audio recordings of books, perfect for listening while commuting or multitasking. Platforms: Audible, LibriVox, and Google Play Books offer a wide selection of audiobooks.
8. How do I support authors or the book industry? Buy Books: Purchase books from authors or independent bookstores.

Reviews: Leave reviews on platforms like Goodreads or Amazon. Promotion: Share your favorite books on social media or recommend them to friends.

9. Are there book clubs or reading communities I can join? Local Clubs: Check for local book clubs in libraries or community centers. Online Communities: Platforms like Goodreads have virtual book clubs and discussion groups.
10. Can I read Modern Active Filter Design books for free? Public Domain Books: Many classic books are available for free as they're in the public domain. Free E-books: Some websites offer free e-books legally, like Project Gutenberg or Open Library.

### Find Modern Active Filter Design :

[free way to start AI consulting business for beginners BATCH84-1080](#)

**proven strategy to use AI for ecommerce store for small business owners BATCH84-474**

[free way to optimize website content using AI for small business owners BATCH84-508](#)

[how to use AI for small business with free tools BATCH84-1767](#)

**how to use AI for Instagram marketing step by step BATCH84-1231**

[step by step guide to use AI for small business in 2026 BATCH84-1613](#)

[low budget way to use AI for small business without paid ads BATCH84-752](#)

**easy method to make money with AI tools organically BATCH84-414**

[without experience how to create faceless YouTube channel with AI in the United States BATCH84-403](#)

**low budget way to use AI for lead generation for beginners BATCH84-265**

**proven strategy to use AI for small business with free tools BATCH84-694**

**step by step guide to make money with AI tools for content creators BATCH84-1331**

[low budget way to sell AI generated art organically BATCH84-1521](#)

**how to use AI for small business organically BATCH84-2046**

[complete beginner guide to create AI powered SaaS for content creators BATCH84-862](#)

### Modern Active Filter Design :

**why can i seemingly define a partial specialization for function templates - Apr 30 2022**

web sep 12 2023 117 i know that the below code is a partial specialization of a class template `typename t1 typename t2`  
`class myclass partial specialization both template parameters have same type template typename t class myclass t t also i`

know that c does not allow function template partial specialization only full is

**re template tag examples codesandbox** - May 12 2023

web find re template tag examples and templates use this online re template tag playground to view and fork re template tag example apps and templates on codesandbox click any example below to run it instantly or find templates that can be used as a pre built solution

custom templates create react app - Nov 06 2022

web we ship two templates by default cra template cra template typescript however you can find many great community templates by searching for cra template on npm building a template if you re interested in building a custom template first take a look at how we ve built cra template a template must have the following structure

*35 free react templates and themes dev community* - Aug 03 2022

web jun 2 2020 open is a free react template created for developers who want to create a quick and professional landing page for their open source projects online services digital products and more with an aim to capture leads and email subscribers open offers a versatile library of sleek minimalistic and reusable components and elements features

re rsz bt template for editing re engine game files - Feb 09 2023

web sep 1 2021 a 010 editor binary template for reading and editing scn pfb rcol user bhvt motfsm and fsmv2 files that works for re2 re3 re8 and dmc5 these rsz files describe how everything works in re2 and other games and are the key to making all sorts of gameplay mods re rsz your browser does not support video

re template from ms microsoft community hub - Dec 27 2021

web mar 20 2023 re template from ms martin3018007 yeah i did see the template and still thinks it s more like a tutorial than a usable template anyhow if you refer to the horizontal lines below each invoice row that s a custom table format that the creator of this template chose this can be altered by selecting any cell within the table

*javascript how to re render the dom if template stack overflow* - Mar 30 2022

web i m trying to re check the conditions on dom if templates and re render them once the dependent values changes there is a way for re rendering template with dom repeat it works like this template id render no same luck for template with dom if

**composing regular expressions via re template tag 2ality** - Apr 11 2023

web jul 22 2017 i ve written the small library re template tag that provides a template tag function for composing regular expressions this blog post explains how it works the basics the library implements the template tag re for regular expressions install npm install re template tag import import re from re template tag

**200 re templates free download ai psd templates design** - Jun 01 2022

web welcome to download free re templates in psd and ai format re poster templates re banner design re flyers on lovepik



[30 best free react templates of 2023 uideck](#) - Oct 05 2022

web aug 11 2021 30 best free react templates of 2023 11 august 2021 no comments react is a javascript library for building powerful user interfaces it s used to create interactive uis for web and mobile apps establishing a nice and subtle ui for your dashboard app interface or admin area you want to create can be challenging

**re templates psd design for free download pngtree** - Sep 04 2022

web are you looking for free re templates choose from 187 printable design templates like re posters flyers mockups invitation cards business cards brochure etc download them for free in ai or eps format

*check list for ies electronics telecommunication engineering* - Apr 17 2022

web 2 check list for ies electronics telecommunication engineering 2020 11 18 sustainability more importantly there is more check list for ies electronics check list for ies electronics these requirements are given in luminaire efficacy rating ler which is the ratio of lamp lumen output lumens to measured electrical power input

*downloadable free pdfs check list for ies electronics telecommunication* - Jul 21 2022

web national level competitive examinations in electronics and communication engineering gate ece ies bel isro other psu examinations an extensive study of all the core subjects in electronics and communications is required to crack such examinations this book is written to be a one stop source for study

[pdf upsc ies ese electronics and telecommunication engineering](#) - Mar 29 2023

web download upsc ies ese electronics and telecommunication engineering objective previous years papers collections easyengineering net gives the lists of ies electronics and telecommunication engineering previous years objective papers from 1997 2023

*check list for ies electronics telecommunication engineering* - May 19 2022

web sep 7 2023 to see guide check list for ies electronics telecommunication engineering as you such as by searching the title publisher or authors of guide you in reality want you can discover them rapidly in the house workplace or perhaps in your method can be all best place within net connections

**pdf ies electronics and telecommunication engineering subjective** - Jul 01 2023

web 1 3k shares get new updates alerts through whatsapp fb tg join our official pages students join our whatsapp group telegram channel group easyengineering net gives the lists of upsc ies ese electronics and telecommunication engineering previous years subjective papers from 1987 2023

[check list for ies electronics telecommunication engineering](#) - Oct 04 2023

web check list for ies electronics telecommunication engineering signals and systems oct 05 2020 signals and systems is a comprehensive textbook designed for undergraduate students of engineering for a course on signals and systems each topic

is explained lucidly by introducing the concepts first through abstract

*upsc ese ies preparation strategy for electronics and telecommunication* - Oct 24 2022

web complete upsc ese ies preparation strategy for electronics and telecommunication engineering students the best strategy for cracking upsc ese ece prelims mains and interviews explore exams

**check list for ies electronics telecommunication engineering** - Feb 13 2022

web may 24 2023 check list for ies electronics telecommunication engineering 1 5 downloaded from uniport edu ng on may 24 2023 by guest check list for ies electronics telecommunication engineering as recognized adventure as without difficulty as experience about lesson amusement as well as conformity can be gotten by just

*ies electronics and telecommunication engineering syllabus* - Aug 22 2022

web ies electronics and telecommunication engineering syllabus for prelims exam the electronics and telecommunication engineering paper will cover questions from each of the topics listed below the marks allocated to each topic may vary from 5 to 15 of the total marks in the paper

**check list for ies gate psu electronics telecommunication** - Sep 03 2023

web check list for ies gate psu electronics telecommunication engineering total no of books 47 control system theory analog electronics theory material science theory signals systems theory communication system theory electromagnetic theory theory digital electronics

**must read ies electronics and telecommunication engineering** - Sep 22 2022

web apr 6 2020 get the best ies electronics and telecommunication engineering books check out the list of books for ies electronics engineering preparation

[ies electronics telecommunication engineering 2023 syllabus](#) - Nov 24 2022

web jul 6 2023 ies electronics telecommunication engineering 2023 upsc conducts the ies ese electronics

telecommunication exams to recruit candidates for electronics telecommunication engineering positions for the various departments working under the government of india know everything about ies exam 2023 while

**ies ese 2022 syllabus for electronics telecommunication et** - May 31 2023

web oct 2 2021 table 1 preliminary stage i examination objective type papers table 2 mains stage ii examination subjective type papers table 3 must read ies study material for electronics telecommunication engineering ies ese 2024 syllabus for electronics telecommunication engineering

*check list for ies electronics telecommunication engineering* - Mar 17 2022

web sep 19 2023 april 29th 2018 online download check list for ies electronics telecommunication engineering check list for ies electronics telecommunication engineering give us 5 minutes and we will show you the best book to read today pdf ies

**check list for ies electronics telecommunication engineering** - Jun 19 2022

web check list for ies electronics telecommunication engineering ieee industrial electronics society tie initial submission projects ies commercial industrial electrical and

*check list for ies electronics telecommunication engineering* - Jan 27 2023

web ies electronics telecommunication engineering monday 2018 03 26 issue check list for ies electronics telecommunication electronics amp telecommunication engineering paper i for both objective and conventional type papers 1 materials and components s register free to download files file name check list for ies

read free check list for ies electronics telecommunication engineering - Dec 26 2022

web selected papers cover the whole spectrum of the main four fields of electrical engineering electronic telecommunications control and power engineering objective electrical electronic and telecommunication engineering mar 27 2023 a textbook on electrical technology wireless telecommunication systems sep 09 2021

**ies electronics and telecommunication engineering previous** - Apr 29 2023

web nov 21 2021 solving ies previous year papers before the exams is one of the important tasks for aspirants previous year s question paper will also give you a basic idea about the exam which is very important to maintain confidence levels throughout the exam stage ies exam question papers ese 2023 electronics and telecommunication

**upsc ies electronics telecommunications engineering prep** - Feb 25 2023

web sep 26 2023 with all the upsc ies electronics telecommunications engineering preparation tips below you should also check out the upsc ies electronics test series to ace your preparation hope you find the article on upsc ies electronics telecommunications engineering preparation tips informative

*important topics for ies electronics and telecommunication engineering* - Aug 02 2023

web sep 25 2023 candidates can check the important topics for ese electronics and telecommunication engineering for paper 1 and paper 2 below there are objective type multiple choice questions asked in the ies prelims exam the general studies and engineering aptitude tests general awareness and general engineering concepts

**fundamentals of physics 9th edition amazon com** - Jul 14 2023

web mar 1 2010 fundamentals of physics 9th edition 9th edition binder ready version by david halliday author robert resnick author jearl walker author 0 more 4 4 4 out of 5 stars 78 ratings

**physics volume 1 halliday resnick krane academia edu** - Sep 16 2023

web physics volume 1 halliday resnick krane robert langdon 2007 john wiley sons see full pdf download pdf see full pdf download pdf see full pdf

fundamentals of physics wikipedia - Feb 09 2023

web fundamentals of physics is a calculus based physics textbook by david halliday robert resnick and jearl walker the textbook is currently in its 12th edition published october 2021

**physics volume 1 vol 1 resnick robert halliday david krane** - Jun 01 2022

web ücretsiz 865 17 tl written for the full year or three term calculus based university physics course for science and engineering majors the publication of the first edition of physics in 1960 launched the modern era of physics textbooks

*physics halliday resnick and krane 5th ed uploaded by* - Sep 04 2022

web physics halliday resnick and krane 5th ed uploaded by m yaseen pdf google drive

*halliday resnick walker2c fundamentals of physics pdf* - Oct 05 2022

web halliday resnick walker full edition color

**physics robert resnick david halliday kenneth s krane** - Apr 11 2023

web physics robert resnick david halliday kenneth s krane 0 3 0 0 comments written for the full year or three term calculus based university physics course for science and engineering majors the publication of the first edition of physics in 1960 launched the modern era of physics textbooks

**fundamentals of physics 9th edition solutions and answers quizlet** - Jun 13 2023

web find step by step solutions and answers to fundamentals of physics 9780470469118 as well as thousands of textbooks so you can move forward with confidence try magic notes and save time try it free

*resnick halliday krane physics volume 1 5th edition wiley* - Jul 02 2022

web welcome to the web site for physics fifth edition by david halliday robert resnick and kenneth s krane this web site gives you access to the rich tools and resources available for this text you can access these resources in two ways using the menu at

physics volume 1 david halliday robert resnick kenneth s krane - Dec 07 2022

web jan 10 1992 david halliday robert resnick kenneth s krane wiley jan 10 1992 science 656 pages presents a complete accurate and rigorous study of physics while bringing it forward into the 90s and beyond the fourth edition of volumes 1 and 2 is concerned with mechanics and e m optics new features include expanded coverage

**physics halliday resnick krane 9th edition david halliday** - Apr 30 2022

web college physics ninth edition fundamentals of physics part 3 chapters 22 33 david halliday 2004 03 16 create your own teaching and learning environment using egrade plus with edugen finally an interactive website based on activities you do every day the new halliday resnick walker 7 e egrade plus program provides the value added

**physics volume 2 by david halliday open library** - Mar 30 2022

web oct 29 2001 created by an anonymous user imported from amazon com record physics by david halliday robert resnick

kenneth s krane october 29 2001 wiley edition in english

**amazon com physics volume 1 9780471320579 halliday david krane** - Nov 06 2022

web amazon com physics volume 1 9780471320579 halliday david krane

*physics halliday resnick krane 9th edition coe fsu edu* - Jan 28 2022

web physics halliday resnick krane 9th edition 1 2 downloaded from coe fsu edu on december 29 2022 by guest read online

physics halliday resnick krane 9th edition when somebody should go to the book stores search introduction by shop shelf by shelf it is in reality problematic this is why we offer the ebook compilations in this website

**physics volume 2 david halliday robert resnick kenneth s krane** - Aug 03 2022

web apr 20 2010 physics volume 2 david halliday robert resnick kenneth s krane john wiley sons apr 20 2010 science 688 pages written for the full year or three term calculus based university

fundamentals of physics david halliday robert resnick free - May 12 2023

web aug 13 2021 this book about physics this book arms engineers with the tools to apply key physics concepts in the field a number of the key figures in the new edition are revised to provide a more inviting and informative treatment

*fundamentals of physics halliday 9th edition archive org* - Aug 15 2023

web fundamentalsofphysicshalliday9thedition identifier ark ark 13960 t52g2nt4x scanner internet archive html5 uploader 1 6 3 4 794 this book arms engineers with the tools to apply key physics concepts in the field a number of the key figures in the new edition are revised to provide a

*physics robert resnick david halliday kenneth s krane* - Jan 08 2023

web physics volume 1 robert resnick david halliday kenneth s krane wiley 2002 physics 566 pages written for the full year or three term calculus based university physics course for science and engineering majors the publication of the first edition of physics in 1960 launched the modern era of physics textbooks

instructor solutions manual for physics by halliday resnick and krane - Mar 10 2023

web physics by halliday resnick and krane paul stanley beloit college volume 1 chapters 1 24 30 910 8 3 75 109 e1 3 multiply out the factors which make up a century 1 century 100 years 365 days 1 year 24 hours 1 day 60 minutes 1 hour

amazon com physics 4th edition vol 1 9780471804581 halliday - Feb 26 2022

web dec 27 1991 amazon com physics 4th edition vol 1 9780471804581 halliday david resnick robert krane kenneth s books