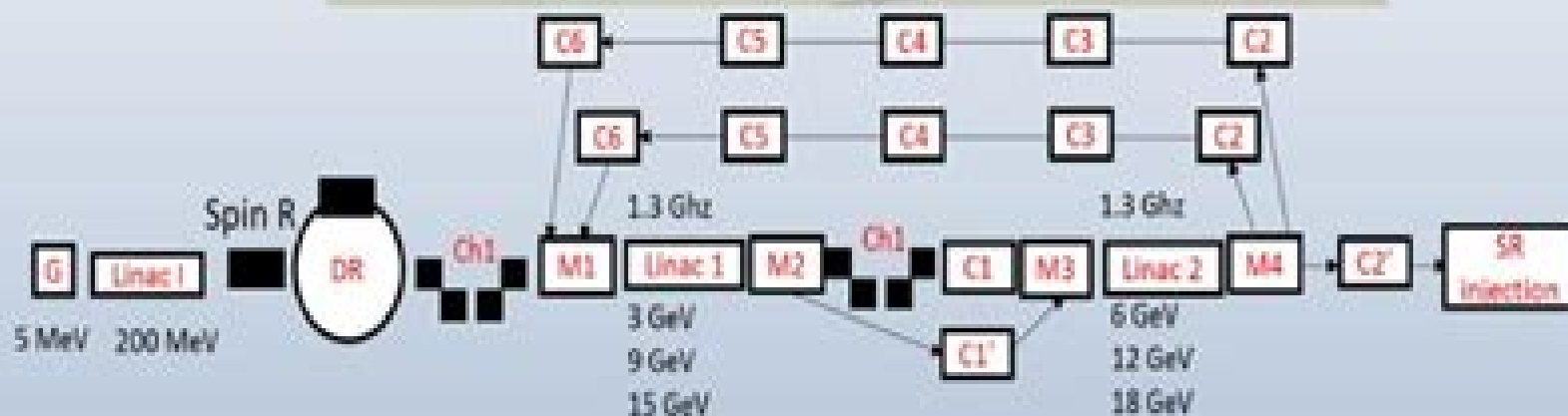
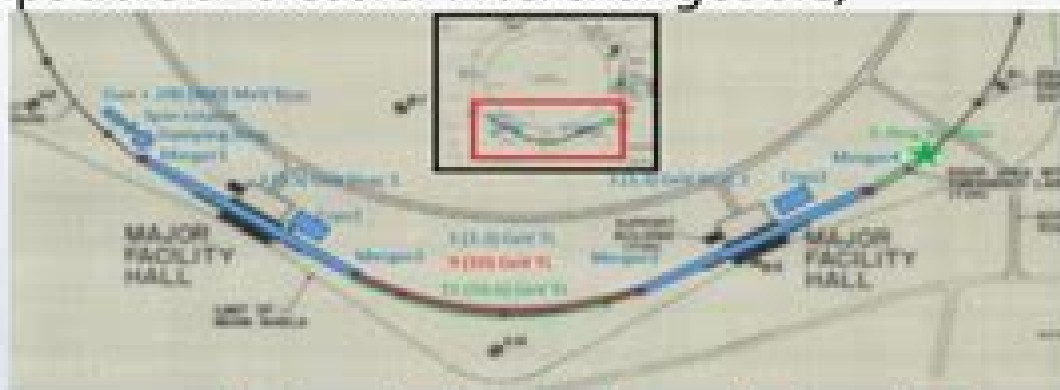


Electron injector

- Recirculating linac pulsed RF
 - XFEL/LCLS-2 modules, With two 2.25 GeV linacs in two adjacent RHIC straights, 3 re-circulations 4 passages to 18 GeV or
 - Alternatively 18 x 650MHz cryo-modules operated at 25 MV/m (makes the designs more compatible and easier interchangeable)



Recirculating Electron Accelerators

Christian Drosten



Recirculating Electron Accelerators:

Uncover the mysteries within Explore with is enigmatic creation, Discover the Intrigue in **Recirculating Electron Accelerators** . This downloadable ebook, shrouded in suspense, is available in a PDF format (*). Dive into a world of uncertainty and anticipation. Download now to unravel the secrets hidden within the pages.

<https://www.staging.gilderlehrman.org/data/uploaded-files/fetch.php/Production%20And%20Capital.pdf>

Table of Contents Recirculating Electron Accelerators

1. Understanding the eBook Recirculating Electron Accelerators
 - The Rise of Digital Reading Recirculating Electron Accelerators
 - Advantages of eBooks Over Traditional Books
2. Identifying Recirculating Electron Accelerators
 - Exploring Different Genres
 - Considering Fiction vs. Non-Fiction
 - Determining Your Reading Goals
3. Choosing the Right eBook Platform
 - Popular eBook Platforms
 - Features to Look for in an Recirculating Electron Accelerators
 - User-Friendly Interface
4. Exploring eBook Recommendations from Recirculating Electron Accelerators
 - Personalized Recommendations
 - Recirculating Electron Accelerators User Reviews and Ratings
 - Recirculating Electron Accelerators and Bestseller Lists
5. Accessing Recirculating Electron Accelerators Free and Paid eBooks
 - Recirculating Electron Accelerators Public Domain eBooks
 - Recirculating Electron Accelerators eBook Subscription Services
 - Recirculating Electron Accelerators Budget-Friendly Options
6. Navigating Recirculating Electron Accelerators eBook Formats

- ePub, PDF, MOBI, and More
 - Recirculating Electron Accelerators Compatibility with Devices
 - Recirculating Electron Accelerators Enhanced eBook Features
7. Enhancing Your Reading Experience
 - Adjustable Fonts and Text Sizes of Recirculating Electron Accelerators
 - Highlighting and Note-Taking Recirculating Electron Accelerators
 - Interactive Elements Recirculating Electron Accelerators
 8. Staying Engaged with Recirculating Electron Accelerators
 - Joining Online Reading Communities
 - Participating in Virtual Book Clubs
 - Following Authors and Publishers Recirculating Electron Accelerators
 9. Balancing eBooks and Physical Books Recirculating Electron Accelerators
 - Benefits of a Digital Library
 - Creating a Diverse Reading Collection Recirculating Electron Accelerators
 10. Overcoming Reading Challenges
 - Dealing with Digital Eye Strain
 - Minimizing Distractions
 - Managing Screen Time
 11. Cultivating a Reading Routine Recirculating Electron Accelerators
 - Setting Reading Goals Recirculating Electron Accelerators
 - Carving Out Dedicated Reading Time
 12. Sourcing Reliable Information of Recirculating Electron Accelerators
 - Fact-Checking eBook Content of Recirculating Electron Accelerators
 - Distinguishing Credible Sources
 13. Promoting Lifelong Learning
 - Utilizing eBooks for Skill Development
 - Exploring Educational eBooks
 14. Embracing eBook Trends
 - Integration of Multimedia Elements
 - Interactive and Gamified eBooks

Recirculating Electron Accelerators Introduction

In today's digital age, the availability of Recirculating Electron Accelerators books and manuals for download has revolutionized the way we access information. Gone are the days of physically flipping through pages and carrying heavy textbooks or manuals. With just a few clicks, we can now access a wealth of knowledge from the comfort of our own homes or on the go. This article will explore the advantages of Recirculating Electron Accelerators books and manuals for download, along with some popular platforms that offer these resources. One of the significant advantages of Recirculating Electron Accelerators books and manuals for download is the cost-saving aspect. Traditional books and manuals can be costly, especially if you need to purchase several of them for educational or professional purposes. By accessing Recirculating Electron Accelerators versions, you eliminate the need to spend money on physical copies. This not only saves you money but also reduces the environmental impact associated with book production and transportation. Furthermore, Recirculating Electron Accelerators books and manuals for download are incredibly convenient. With just a computer or smartphone and an internet connection, you can access a vast library of resources on any subject imaginable. Whether you're a student looking for textbooks, a professional seeking industry-specific manuals, or someone interested in self-improvement, these digital resources provide an efficient and accessible means of acquiring knowledge. Moreover, PDF books and manuals offer a range of benefits compared to other digital formats. PDF files are designed to retain their formatting regardless of the device used to open them. This ensures that the content appears exactly as intended by the author, with no loss of formatting or missing graphics. Additionally, PDF files can be easily annotated, bookmarked, and searched for specific terms, making them highly practical for studying or referencing. When it comes to accessing Recirculating Electron Accelerators books and manuals, several platforms offer an extensive collection of resources. One such platform is Project Gutenberg, a nonprofit organization that provides over 60,000 free eBooks. These books are primarily in the public domain, meaning they can be freely distributed and downloaded. Project Gutenberg offers a wide range of classic literature, making it an excellent resource for literature enthusiasts. Another popular platform for Recirculating Electron Accelerators books and manuals is Open Library. Open Library is an initiative of the Internet Archive, a non-profit organization dedicated to digitizing cultural artifacts and making them accessible to the public. Open Library hosts millions of books, including both public domain works and contemporary titles. It also allows users to borrow digital copies of certain books for a limited period, similar to a library lending system. Additionally, many universities and educational institutions have their own digital libraries that provide free access to PDF books and manuals. These libraries often offer academic texts, research papers, and technical manuals, making them invaluable resources for students and researchers. Some notable examples include MIT OpenCourseWare, which offers free access to course materials from the Massachusetts Institute of Technology, and the Digital Public Library of America, which provides a vast collection of digitized books and historical documents. In conclusion, Recirculating Electron

Accelerators books and manuals for download have transformed the way we access information. They provide a cost-effective and convenient means of acquiring knowledge, offering the ability to access a vast library of resources at our fingertips. With platforms like Project Gutenberg, Open Library, and various digital libraries offered by educational institutions, we have access to an ever-expanding collection of books and manuals. Whether for educational, professional, or personal purposes, these digital resources serve as valuable tools for continuous learning and self-improvement. So why not take advantage of the vast world of Recirculating Electron Accelerators books and manuals for download and embark on your journey of knowledge?

FAQs About Recirculating Electron Accelerators Books

What is a Recirculating Electron Accelerators PDF? A PDF (Portable Document Format) is a file format developed by Adobe that preserves the layout and formatting of a document, regardless of the software, hardware, or operating system used to view or print it. **How do I create a Recirculating Electron Accelerators PDF?** There are several ways to create a PDF: Use software like Adobe Acrobat, Microsoft Word, or Google Docs, which often have built-in PDF creation tools. Print to PDF: Many applications and operating systems have a "Print to PDF" option that allows you to save a document as a PDF file instead of printing it on paper. Online converters: There are various online tools that can convert different file types to PDF. **How do I edit a Recirculating Electron Accelerators PDF?** Editing a PDF can be done with software like Adobe Acrobat, which allows direct editing of text, images, and other elements within the PDF. Some free tools, like PDFescape or Smallpdf, also offer basic editing capabilities. **How do I convert a Recirculating Electron Accelerators PDF to another file format?** There are multiple ways to convert a PDF to another format: Use online converters like Smallpdf, Zamzar, or Adobe Acrobat's export feature to convert PDFs to formats like Word, Excel, JPEG, etc. Software like Adobe Acrobat, Microsoft Word, or other PDF editors may have options to export or save PDFs in different formats. **How do I password-protect a Recirculating Electron Accelerators PDF?** Most PDF editing software allows you to add password protection. In Adobe Acrobat, for instance, you can go to "File" -> "Properties" -> "Security" to set a password to restrict access or editing capabilities. Are there any free alternatives to Adobe Acrobat for working with PDFs? Yes, there are many free alternatives for working with PDFs, such as: LibreOffice: Offers PDF editing features. PDFsam: Allows splitting, merging, and editing PDFs. Foxit Reader: Provides basic PDF viewing and editing capabilities. How do I compress a PDF file? You can use online tools like Smallpdf, ILovePDF, or desktop software like Adobe Acrobat to compress PDF files without significant quality loss. Compression reduces the file size, making it easier to share and download. Can I fill out forms in a PDF file? Yes, most PDF viewers/editors like Adobe Acrobat, Preview (on Mac), or various online tools allow you to fill out forms in PDF files by

selecting text fields and entering information. Are there any restrictions when working with PDFs? Some PDFs might have restrictions set by their creator, such as password protection, editing restrictions, or print restrictions. Breaking these restrictions might require specific software or tools, which may or may not be legal depending on the circumstances and local laws.

Find Recirculating Electron Accelerators :

production and capital

productivity postwar u. s. economic growth vol. 1 productivity ser. vol. 1

productivity improvement in is

profound crossroads

professional training for feminist therapists personal memoirs

profit and the practice of law whats happened to the legal profession by...

process of technological change new technology and social choice in the workplace

program management for corporate information techn

professor irisearth daze

prog the ibm system 360

professional stockmaking

processes of constitutional decisionmaking cases and materials second edition

programming expert systems in modula-2

programmers challenge 50 challenging problems to test your programming skills

professional oracle programming

Recirculating Electron Accelerators :

Galore Park This complete set of answers to Mathematics for Common Entrance 13+ Exam Practice Questions includes worked examples and diagrams to ... ce mathematics (at 11+, 13+ and case) The ISEB Common Entrance Maths aims to develop fluency in mathematical skills and reasoning. Access ISEB CE Maths 11+, 13+ & CASE exam support.

MATHEMATICS be taught in Year 6. Candidates will be required to work one paper of 60 ... Tested in a new-style Mental Arithmetic paper with written questions rather than ... Mathematics Year 6 Answers - Hodder - Free Trial - Classoos Nov 28, 2014 — Summary. Features the complete set of answers to the exercises in Mathematics Year 6, as well as a selection of

photocopiable worksheets to ... 11+ Maths ISEB Practice Papers Pack 1 4 complete test papers reflecting 11 plus ISEB Main test; Detailed step by step answers are available only on the website; Covers all the topics of the ISEB ... ISEB Common Pre-Test Mathematics Paper 2 ○ The content of this paper is similar to that of the mathematics ISEB Common Pre-Test taken in year. 6/7 for independent school entry. ○ Please remember ... 11 Plus Maths Past Papers With Detailed Answers Free 11+ Practice Papers These free practice papers contain realistic 11+ questions at the same level as the ones children will answer in the final tests. There are two sets of ... galore park 9781510400986 Mathematics Year 6 Textbook Answers. PDF Download. £14.99 +VAT ... 9781398321366 Common Entrance 13+ Additional Mathematics for ISEB CE and KS3 ... The ISEB Digital Pre-Test - School Entrance Specialists The core Common Entrance exam syllabus consists of English, Mathematics and Science papers. ... Year 5 to the January of Year 6. This encompasses the whole ... Tony Gaddis Java Lab Manual Answers 5th Pdf Tony Gaddis Java Lab Manual Answers 5th Pdf. INTRODUCTION Tony Gaddis Java Lab Manual Answers 5th Pdf FREE. Starting Out With Java From Control Structures Through ... Starting Out with Java From Control. Structures through Objects 5th Edition. Tony Gaddis Solutions Manual Visit to download the full and correct content ... Student Solutions Manual -... book by Tony Gaddis Cover for "Supplement: Student Solutions Manual - Starting Out with Java 5: Control ... Lab Manual for Starting Out with Programming Logic & Design. Tony Gaddis. Tony Gaddis Solutions Books by Tony Gaddis with Solutions ; Starting Out With Java 3rd Edition 1663 Problems solved, Godfrey Muganda, Tony Gaddis, Godfrey Muganda, Tony Gaddis. Tony Gaddis - Reference: Books Lab manual to accompany the standard and brief versions of Starting out with C++ fourth edition · Supplement: Student Solutions Manual - Starting Out with Java 5 ... How to get the solution manual of Tony Gaddis's Starting ... Mar 28, 2020 — Starting Out with Java 6th Edition is an informative and excellent book for students. The author of the textbook is Tony Gaddis. Solutions-manual-for-starting-out-with-java-from-control- ... Gaddis: Starting Out with Java: From Control Structures through Objects, 5/e 2 The wordclassis missing in the second line. It should readpublic class ... Results for "Gaddis Starting Out with Java From Control ... Showing results for "Gaddis Starting Out with Java From Control Structures through Objects with My Programming Lab Global Edition 6th Edition". How to get Starting Out with Java by Tony Gaddis, 6th ... Mar 28, 2020 — Start solving looping based problems first. If you are facing problem in developing the logic of an program, then learn logic building ... FullMark Team (solutions manual & test bank) - Java... Lab Manual Solutions for Java Software Solutions Foundations of Program Design 6E ... Starting Out with Java Early Objects, 4E Tony Gaddis Solutions Manual Introduction to Social Work, Fourth Edition This engaging text gives readers a practical guide to the many ways in which social workers effect change in their communities and the world. The authors offer ... Introduction to Social Work, Fourth Edition: The People's ... This engaging text gives readers a practical guide to the many ways in which social workers effect change in their communities and the world. The authors offer ... Empowerment Series: An Introduction to the Profession of ... Get an overview of the social work profession

and learn about the role of the social worker in the social welfare system with Segal, Gerdes and Steiner's text. Introduction to Social Work, Fourth Edition The People's ... Book Details. Full Title: Introduction to Social Work, Fourth Edition: The People's Profession. Edition: 4th edition. ISBN-13: 978-0190615666. Format: Paperback ... Introduction to Social Work, Fourth Edition: The People's ... The authors offer an overview and history of the profession; introduce readers to the practice of social work at the micro, mezzo, and macro level; and finally ... Introduction to Social Work, Fourth Edition - Ira Colby The authors offer an overview and history of the profession; introduce readers to the practice of social work at the micro, mezzo, and macro level; and finally ... Introduction to Social Work, Fourth Edition: The People's ... Introduction to Social Work, Fourth Edition: The People's Profession ; Author: Ira Colby ; Publisher: Oxford University Press ; Release Date: 2015 ; ISBN-13: ... Introduction to Social Work, Fourth Edition - Paperback The authors offer an overview and history of the profession; introduce readers to the practice of social work at the micro, mezzo, and macro level; and finally ... An Introduction to the Profession of Social Work Assess how social welfare and economic policies impact the delivery of and access to social services. 4, 7, 10, 11 c. Apply critical thinking to analyze, ... Introduction to Social Work, Fourth Edition: The ... Introduction to Social Work, Fourth Edition: The People's Profession (4th Edition). by Sophia F. Dziegielewska, Ira Colby. Paperback, 480 Pages, Published ...