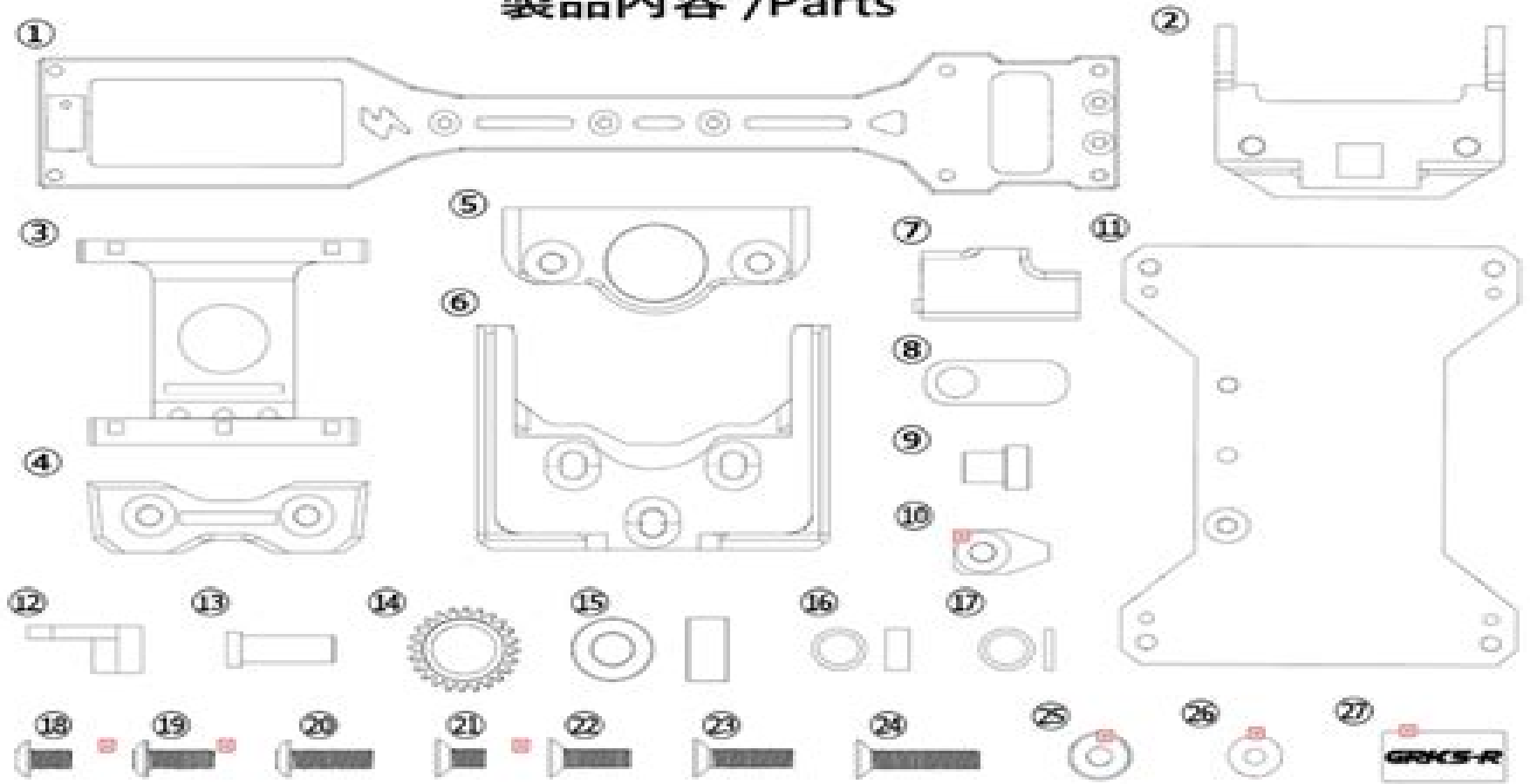


## 製品内容 /Parts



# Reading91 Grk R Getting Started Tchr

**K Payea**



**Reading91 Grk R Getting Started Tchr:**

Fuel your quest for knowledge with Authored by is thought-provoking masterpiece, Explore **Reading91 Grk R Getting Started Tchr** . This educational ebook, conveniently sized in PDF ( \*), is a gateway to personal growth and intellectual stimulation. Immerse yourself in the enriching content curated to cater to every eager mind. Download now and embark on a learning journey that promises to expand your horizons. .

<https://www.staging.gilderlehrman.org/results/book-search/Documents/How%20To%20Grow%20Email%20List%20Using%20AI%20For%20Content%20Creators%20BATCH1%20275.pdf>

## **Table of Contents Reading91 Grk R Getting Started Tchr**

1. Understanding the eBook Reading91 Grk R Getting Started Tchr
  - The Rise of Digital Reading Reading91 Grk R Getting Started Tchr
  - Advantages of eBooks Over Traditional Books
2. Identifying Reading91 Grk R Getting Started Tchr
  - Exploring Different Genres
  - Considering Fiction vs. Non-Fiction
  - Determining Your Reading Goals
3. Choosing the Right eBook Platform
  - Popular eBook Platforms
  - Features to Look for in an Reading91 Grk R Getting Started Tchr
  - User-Friendly Interface
4. Exploring eBook Recommendations from Reading91 Grk R Getting Started Tchr
  - Personalized Recommendations
  - Reading91 Grk R Getting Started Tchr User Reviews and Ratings
  - Reading91 Grk R Getting Started Tchr and Bestseller Lists
5. Accessing Reading91 Grk R Getting Started Tchr Free and Paid eBooks
  - Reading91 Grk R Getting Started Tchr Public Domain eBooks
  - Reading91 Grk R Getting Started Tchr eBook Subscription Services

- Reading91 Grk R Getting Started Tchr Budget-Friendly Options
- 6. Navigating Reading91 Grk R Getting Started Tchr eBook Formats
  - ePub, PDF, MOBI, and More
  - Reading91 Grk R Getting Started Tchr Compatibility with Devices
  - Reading91 Grk R Getting Started Tchr Enhanced eBook Features
- 7. Enhancing Your Reading Experience
  - Adjustable Fonts and Text Sizes of Reading91 Grk R Getting Started Tchr
  - Highlighting and Note-Taking Reading91 Grk R Getting Started Tchr
  - Interactive Elements Reading91 Grk R Getting Started Tchr
- 8. Staying Engaged with Reading91 Grk R Getting Started Tchr
  - Joining Online Reading Communities
  - Participating in Virtual Book Clubs
  - Following Authors and Publishers Reading91 Grk R Getting Started Tchr
- 9. Balancing eBooks and Physical Books Reading91 Grk R Getting Started Tchr
  - Benefits of a Digital Library
  - Creating a Diverse Reading Collection Reading91 Grk R Getting Started Tchr
- 10. Overcoming Reading Challenges
  - Dealing with Digital Eye Strain
  - Minimizing Distractions
  - Managing Screen Time
- 11. Cultivating a Reading Routine Reading91 Grk R Getting Started Tchr
  - Setting Reading Goals Reading91 Grk R Getting Started Tchr
  - Carving Out Dedicated Reading Time
- 12. Sourcing Reliable Information of Reading91 Grk R Getting Started Tchr
  - Fact-Checking eBook Content of Reading91 Grk R Getting Started Tchr
  - Distinguishing Credible Sources
- 13. Promoting Lifelong Learning
  - Utilizing eBooks for Skill Development
  - Exploring Educational eBooks
- 14. Embracing eBook Trends

- Integration of Multimedia Elements
- Interactive and Gamified eBooks

### **Reading91 Grk R Getting Started Tchr Introduction**

Reading91 Grk R Getting Started Tchr Offers over 60,000 free eBooks, including many classics that are in the public domain. Open Library: Provides access to over 1 million free eBooks, including classic literature and contemporary works. Reading91 Grk R Getting Started Tchr Offers a vast collection of books, some of which are available for free as PDF downloads, particularly older books in the public domain. Reading91 Grk R Getting Started Tchr : This website hosts a vast collection of scientific articles, books, and textbooks. While it operates in a legal gray area due to copyright issues, its a popular resource for finding various publications. Internet Archive for Reading91 Grk R Getting Started Tchr : Has an extensive collection of digital content, including books, articles, videos, and more. It has a massive library of free downloadable books. Free-eBooks Reading91 Grk R Getting Started Tchr Offers a diverse range of free eBooks across various genres. Reading91 Grk R Getting Started Tchr Focuses mainly on educational books, textbooks, and business books. It offers free PDF downloads for educational purposes. Reading91 Grk R Getting Started Tchr Provides a large selection of free eBooks in different genres, which are available for download in various formats, including PDF. Finding specific Reading91 Grk R Getting Started Tchr, especially related to Reading91 Grk R Getting Started Tchr, might be challenging as theyre often artistic creations rather than practical blueprints. However, you can explore the following steps to search for or create your own Online Searches: Look for websites, forums, or blogs dedicated to Reading91 Grk R Getting Started Tchr, Sometimes enthusiasts share their designs or concepts in PDF format. Books and Magazines Some Reading91 Grk R Getting Started Tchr books or magazines might include. Look for these in online stores or libraries. Remember that while Reading91 Grk R Getting Started Tchr, sharing copyrighted material without permission is not legal. Always ensure youre either creating your own or obtaining them from legitimate sources that allow sharing and downloading. Library Check if your local library offers eBook lending services. Many libraries have digital catalogs where you can borrow Reading91 Grk R Getting Started Tchr eBooks for free, including popular titles. Online Retailers: Websites like Amazon, Google Books, or Apple Books often sell eBooks. Sometimes, authors or publishers offer promotions or free periods for certain books. Authors Website Occasionally, authors provide excerpts or short stories for free on their websites. While this might not be the Reading91 Grk R Getting Started Tchr full book , it can give you a taste of the authors writing style. Subscription Services Platforms like Kindle Unlimited or Scribd offer subscription-based access to a wide range of Reading91 Grk R Getting Started Tchr eBooks, including some popular titles.

## FAQs About Reading91 Grk R Getting Started Tchr Books

**What is a Reading91 Grk R Getting Started Tchr PDF?** A PDF (Portable Document Format) is a file format developed by Adobe that preserves the layout and formatting of a document, regardless of the software, hardware, or operating system used to view or print it. **How do I create a Reading91 Grk R Getting Started Tchr PDF?** There are several ways to create a PDF: Use software like Adobe Acrobat, Microsoft Word, or Google Docs, which often have built-in PDF creation tools. Print to PDF: Many applications and operating systems have a "Print to PDF" option that allows you to save a document as a PDF file instead of printing it on paper. Online converters: There are various online tools that can convert different file types to PDF. **How do I edit a Reading91 Grk R Getting Started Tchr PDF?** Editing a PDF can be done with software like Adobe Acrobat, which allows direct editing of text, images, and other elements within the PDF. Some free tools, like PDFescape or Smallpdf, also offer basic editing capabilities. **How do I convert a Reading91 Grk R Getting Started Tchr PDF to another file format?** There are multiple ways to convert a PDF to another format: Use online converters like Smallpdf, Zamzar, or Adobe Acrobats export feature to convert PDFs to formats like Word, Excel, JPEG, etc. Software like Adobe Acrobat, Microsoft Word, or other PDF editors may have options to export or save PDFs in different formats. **How do I password-protect a Reading91 Grk R Getting Started Tchr PDF?** Most PDF editing software allows you to add password protection. In Adobe Acrobat, for instance, you can go to "File" -> "Properties" -> "Security" to set a password to restrict access or editing capabilities. Are there any free alternatives to Adobe Acrobat for working with PDFs? Yes, there are many free alternatives for working with PDFs, such as: LibreOffice: Offers PDF editing features. PDFsam: Allows splitting, merging, and editing PDFs. Foxit Reader: Provides basic PDF viewing and editing capabilities. How do I compress a PDF file? You can use online tools like Smallpdf, ILovePDF, or desktop software like Adobe Acrobat to compress PDF files without significant quality loss. Compression reduces the file size, making it easier to share and download. Can I fill out forms in a PDF file? Yes, most PDF viewers/editors like Adobe Acrobat, Preview (on Mac), or various online tools allow you to fill out forms in PDF files by selecting text fields and entering information. Are there any restrictions when working with PDFs? Some PDFs might have restrictions set by their creator, such as password protection, editing restrictions, or print restrictions. Breaking these restrictions might require specific software or tools, which may or may not be legal depending on the circumstances and local laws.

## Find Reading91 Grk R Getting Started Tchr :

[how to grow email list using AI for content creators BATCH1-275](#)

[how to create online course using AI organically BATCH1-282](#)

**easy method to use AI for TikTok growth organically BATCH1-1965**

*low budget way to create AI chatbot for business for beginners BATCH1-421*

**how to use AI for Instagram marketing for beginners BATCH1-1223**

**affordable way to grow email list using AI without paid ads BATCH1-1925**

**how to create AI chatbot for business for beginners BATCH1-2123**

**without experience how to create digital products with AI for beginners BATCH1-1121**

*best way to sell AI generated art that actually works BATCH1-2499*

**easy method to make money with AI tools for content creators BATCH1-2381**

*without experience how to make money with AI tools that actually works BATCH1-1583*

*how to create online course using AI step by step BATCH1-1894*

**low budget way to create marketing funnel with AI in 2026 BATCH1-1273**

**complete beginner guide to offer AI services to clients with free tools BATCH1-496**

*easy method to create faceless YouTube channel with AI for content creators BATCH1-369*

### **Reading91 Grk R Getting Started Tchr :**

**fluid mechanics 7th edition textbook solutions** - Feb 01 2023

web aug 13 2023 download fluid mechanics 8th edition by white solutions manual access fluid mechanics 8th edition by white solutions

*fluid mechanics solution manual chegg com* - Apr 03 2023

web step by step video answers explanations by expert educators for all fluid mechanics 7th by frank m white only on numerade com

**fluid mechanics 8th edition white soluti chapter 2 studocu** - Apr 22 2022

web solutions manual for fluid mechanics fundamentals and applications by Çengel cimbala pdf solutions manual for fluid mechanics fundamentals and applications by Çengel cimbala yaşın ÇekİÇ academia edu

**white fluid mechanics ch7 solutions manual for fluid mechanics** - Jun 24 2022

web fluid mechanics 7th edition by frank m white solution chapter 11 download as pdf file pdf text file txt or read online solution manual for chapter 11 9th edition

*solutions for fluid mechanics 7th by frank m white numerade* - Oct 29 2022

web after correcting for surface tension estimate the applied pressure in pa solution for water let  $\gamma = 0.073 \text{ n/m}$  contact angle  $\theta = 0$  and  $\gamma = 9790 \text{ n/m}^3$  the capillary rise in the tube from example 1.9 of the text is then the rise due to applied pressure is less by

that amount hpress 0 25 m 0 03 m 0 22 m

**fluid mechanics 8th edition by white solutions** - Aug 27 2022

web frank white frank m white is professor emeritus of mechanical and ocean engineering at the university of rhode island he studied at georgia tech and m i t in 1966 he

fluid mechanics seventh edition by frank m white google drive - Jul 26 2022

web 194 solutions manual fluid mechanics fifth edition solution the control volume of course surrounds the cone with one inlet no exits we don t need any complicated

*fluid mechanics 7th edition white solution manual doc* - Nov 29 2022

web a set re a 1 mm diameter steel sphere sg 7 is immersed in a flow of water at the speed of 0 m s suppose we know that re 200 what would be the water temperature

**solution manual for fluid mechanics 8th edition white scribd** - Sep 27 2022

web fluid mechanics 8th edition white solutions manual full download testbanklive download fluid mechanics 8th edition white solutions manual full

**pdf solutions manual for fluid mechanics fundamentals and** - Nov 17 2021

*fluid mechanics mcgraw hill* - Mar 22 2022

**solutions manual for white fluid mechanics udocz** - Dec 19 2021

fluid mechanics frank m white solutions manual - Oct 09 2023

web fluid mechanics solution manual author frank m white language english year 2016 file size 153 2 mb total downloads 4 728 total views 7 677 series mc grow

*fluid mechanics 8th edition textbook solutions bartleby* - Dec 31 2022

web sign in fluid mechanics seventh edition by frank m white google drive sign in

*fluidos frank m white fluid mechanics solutions* - Sep 08 2023

web now with expert verified solutions from fluid mechanics 8th edition you ll learn how to solve your toughest homework problems our resource for fluid mechanics includes

**fluid mechanics 8th edition solutions and answers quizlet** - May 04 2023

web p2 139 solution a the slope of the liquid gives us the acceleration  $\tan a \times 28 15 \text{ cm } 0 13 \text{ or } 7 4 \text{ g } 100 \text{ cm}$  thus  $a \times 0 13 \text{ g } 0 13 9 81 1 28 \text{ m s } 2$  ans a 94 solutions manual

*download fluid mechanics solution manual by frank m white - Aug 07 2023*

web fluid mechanics solutions manual get access now with get started select your edition below by 8th edition author frank white 1540 solutions available by 7th edition

solutions manual to accompany fluid mechanics - Jun 05 2023

web the eighth edition of white s fluid mechanics offers students a clear and comprehensive presentation of the material that demonstrates the progression from physical concepts to

**fluid mechanics 8th edition white solutions manual** - May 24 2022

web descarga gratis el pdf solutions manual for white fluid mechanics encuentra los mejores documentos de mecánica de fluidos en udocz y ayuda a miles cómo tú ingresa

*fluid mechanics frank m white 7th edition solutions manual* - Jan 20 2022

**fluid mechanics by frank m white solution studocu** - Feb 18 2022

f m white fluid mechanics 8th edition solution - Jul 06 2023

web fluid mechanics white solution manual read online for free fluid mechanics white solution manual

**fluid mechanics white solution manual pdf scribd** - Mar 02 2023

web f2 2 solutions manual fluid mechanics eighth edition in like manner solve for the shear stress on plane aa using our result for  $\sigma_{xy}$  this problem and prob p2 1 can also

*affidavit format for duplicate school leaving certificate* - Jan 08 2023

web affidavit format for duplicate school leaving certificate download as a pdf other review online for free

school leaving certificate format samples affidavit fill and - Feb 09 2023

web affirmation format for duplicate school leaving certificate school leaving certificate sample pdf duplicating lc affidavit living certificate format affidavit what is affidavit certificate affidavit meaning in kannada religion certificate style affidavit

get affidavit for issue of create train leaving credential school going

**affidavit for duplicate leaving certificate 20 20 pdf pdf** - Aug 03 2022

web affidavit for duplicate leaving certificate 20 20 pdf pages 2 2 affidavit for duplicate leaving certificate 20 20 pdf upload suny j ferguson 2 2 downloaded from api2 igetweb com on september 5 2023 by suny j ferguson john sidney smith 1862

*istanbul marriage affidavit form u s embassy consulates in* - Dec 27 2021

web jun 17 2016 u s citizens with emergencies please call 90 312 294 0000 outside of office hours contact 90 312 294 0000 outside of türkiye 90 312 294 0000

[turkey notarial and documentary services guide gov uk](#) - Apr 30 2022

web dec 12 2014 this type of affidavit is the one that you may be asked to provide by the turkish authorities as proof of your status to apply for turkish citizenship or to register your baby s birth in turkey

**affidavit format for duplicate school leaving certificate** - May 12 2023

web affidavit structure for duplicate go leaving certificate download as a pdf or view online for clear declaration size since duplicate school leaving certificate download for a pdf either view online for loose

**affidavit format for duplicate school leaving certificate** - Sep 04 2022

web affidavit format for copying schools leaving attestation get as a pdf or view online in free

[affidavit for duplicate leaving certificate 20 20 pdf](#) - Dec 07 2022

web webaffidavit for duplicate leaving certificate 20 20 the acts relating to estate probate legacy and succession duties reports of cases argued and determined in the english courts of common law thelyst com test thelyst com assets context n39k361 webleaving certificate 20 20 is additionally useful

**affidavit format for duplicate school leaving certificate** - Jun 13 2023

web dec 23 2014 affidavit format for duplicate school leaving certificate 1 affidavit for duplicate leaving certificate i ila kanaiyalal mehta an adult indian inhabitant residing at xyz mumbai 40xxx do hereby solemnly affirm as under 1 that i have passed higher secondary school examination through

**affidavit for duplicate leaving certificate pdf scribd** - Aug 15 2023

web affidavit for duplicate leaving certificate i vandana dnyaneshwar navale alias vandana pradip thorat an adult indian inhabitant residing at ghatkopar mumbai do hereby solemnly affirm as under 1 that i have passed maharashtra state board of secondary school examination through saraswati vidya mandir jagruti nagar

**format of affidavit for issue of duplicate certificate to be icsi** - Oct 05 2022

web format of affidavit for issue of duplicate certificate to be executed on a non judicial stamp paper of rs 20 and attested by 1st class magistrate notary public oath commissioner affidavit i s o d o w o aged about resident of

[affidavit for duplicate leaving certificate 20 20 pdf uniport edu](#) - Jul 02 2022

web jul 25 2023 affidavit for duplicate leaving certificate 20 20 1 3 downloaded from uniport edu ng on july 25 2023 by guest affidavit for duplicate leaving certificate 20 20 getting the books affidavit for duplicate leaving certificate 20 20 now is not type of challenging means

[application for duplicate leaving certificate from school](#) - Mar 10 2023

web sample application for issuance of duplicate school leaving certificate to the headmaster of the school in the private sector or government sector a school leaving certificate is a compulsory document to provide for admission when you change

your school or college

[affidavit for duplicate leaving certificate 20 20 pdf 139 162 214](#) - Nov 06 2022

web affidavit for duplicate leaving certificate 20 20 affidavit for duplicate leaving certificate 20 20 2 downloaded from 139 162 214 128 on 2019 05 09 by guest solving lawyer malpractice cases disciplinary actions disqualification issues sanctions questions and much more in this volume black letter rules of professional conduct are followed

[travel documents guide visa and passport turkish airlines](#) - Jan 28 2022

web travel documents at turkish airlines we want your flights and your travel to proceed as smoothly as possible on this page you can find information on visa requirements for the country to which you are traveling as well as information on the documents required for a problem free journey

**duplicate school leaving certificate affidavit format in gujarati** - Mar 30 2022

web duplicate school leaving certificate affidavit format in gujarati affidavit for duplicate college leaving certificate in gujarati bhargav vala □ □ □ □ 10 2020

**diploma veya geçici mezuniyet belgesi teslim İşlemleri** - Feb 26 2022

web jun 23 2021 adres sütlüce beyoğlu 34445 İstanbul küçükyalı küçükyalı e5 kavşağı İnönü cad no 4 küçükyalı 34840 İstanbul telefon 444 0 413 email bilgi ticaret edu tr kep adresi ticaretuniversitesi hs02 kep tr

**duplicate school leaving certificate affidavit blogger** - Apr 11 2023

web oct 10 2021 duplicate school leaving certificate affidavit affidavit i s o sh r o do hereby solemnly affirm declare as under 1 that i am permanent resident of the above address 2 that i was student

**affidavit for duplicate leaving certificate 20 20 pdf uniport edu** - Jun 01 2022

web aug 15 2023 kindly say the affidavit for duplicate leaving certificate 20 20 is universally compatible with any devices to read district of columbia code 1961 ed washington d c 1965

[affidavit for duplicate leaving certificate pdf scribd](#) - Jul 14 2023

web 1 that i have passed higher secondary school examination through arvind gandabhir high school jogeshwari e mumbai 400 060 in the year march 1988 f2 i say that i was issued the original school leaving certificate by the school authorities but the same is either lost or misplaced and the same is not traceable in spite of my all efforts 3

[pdf understanding facts narain g hingorani](#) - Aug 22 2021

**understanding facts google books** - May 11 2023

web pioneers in facts and leading world experts in power electronics applications narain g hingorani and laszlo gyugyi have teamed together to bring you the definitive book on

**understanding facts concepts and technology of flexible ac** - Sep 03 2022

web feb 2 2023 understanding facts by narain g hingorani 2000 institute of electrical and electronics engineers edition in english

*understanding facts narain g hingorani pdf* - Oct 04 2022

web understanding facts by narain g hingorani 2000 ieee press edition electronic resource in english

**access free understanding facts concepts and technology of** - Oct 24 2021

**understanding facts concepts and technology of** - Jun 12 2023

web pioneers in facts and leading world experts in power electronics applications narain g hingorani and laszlo gyugyi have teamed together to bring you the definitive book on

**understanding facts concepts and technology of flexible ac** - Nov 05 2022

web understanding facts concepts and technology of flexible ac transmission systems free pdf download narain g hingorani 453 pages year 2016

**understanding facts concepts and technology of pdf** - Aug 02 2022

web average rating 4 24 92 ratings 8 reviews 1 distinct work understanding facts concepts and technology of flexible ac transmission systems by narain g

**understanding facts buy understanding facts by hingorani** - Mar 29 2022

web understanding facts narain g hingorani content when people should go to the ebook stores search launch by shop shelf by shelf it is in point of fact problematic this is why

[understanding facts hingorani n g amazon in books](#) - Jan 27 2022

web sep 8 2023 understanding facts concepts and technology of flexible ac transmission systems narain g hingorani is available in our digital library an online access to it is set

*understanding facts concepts and technology of* - Jul 13 2023

web the flexible ac transmission system facts a new technologybased on power electronics offers an opportunity to enhancecontrollability stability and power transfer

[understanding facts wiley online library](#) - Apr 10 2023

web isbn 0 7803 4713 7 isbn 0 7803 3464 7 understanding facts concepts and technology of flexible ac transmission systems narain g hingorani hingorani

**understanding facts concepts and technology of** - Jan 07 2023

web pioneers in facts and leading world experts in power electronics applications narain g hingorani and laszlo gyugyi have

teamed together to bring you the definitive book on  
[narain g hingorani author of understanding facts goodreads](#) - Apr 29 2022

web this book is the bible of facts devices if you re in the field it is a must have however notice it was written in 1999 which means technology has greatly evolved ever since

**understanding facts by narain g hingorani open library** - Jul 01 2022

web pioneers in facts and leading world experts in power electronics applications narain g hingorani and laszlogyugyi have teamed together to bring you the definitive book

**understanding facts hingorani orientation sutd edu** - Nov 24 2021

**understanding facts narain g hingorani content national** - Feb 25 2022

web download understanding facts narain g hingorani content ieee xplore book home page understanding facts concepts  
 understanding facts by narain g

**understanding facts concepts and technology of flexible ac** - Dec 06 2022

web dec 10 1999 understanding facts concepts and technology of flexible ac transmission systems by narain g hingorani laszlo gyugyi be the first to write a

**understanding facts concepts and technology of flexible ac** - Feb 08 2023

web dec 24 1999 narain g hingorani is credited with originating the concepts of facts and custom power he is a retired vice president of electrical systems at epr and provides

[understanding facts concepts and technology of flexible ac](#) - Sep 22 2021

**understanding facts narain g hingorani content** - Dec 26 2021

web mar 18 2011 understanding facts concepts and technology of flexible ac transmission systems pb narain g hingorani laszlo gyugyi amazon in books

**understanding facts by narain g hingorani open** - Mar 09 2023

web dec 24 1999 narain g hingorani laszlo gyugyi 4 24 rating details 92 ratings 8 reviews the flexible ac transmission system facts a new technology based on

[understanding facts by narain g hingorani open library](#) - May 31 2022

web understanding facts narain g hingorani content understanding facts narain g hingorani content 2 downloaded from nysm pfi org on 2022 01 04 by guest this book

*understanding facts wiley online books* - Aug 14 2023

web dec 10 1999 understanding facts concepts and technology of flexible ac transmission systems author s narain g  
hingorani laszlo gyugyi first published