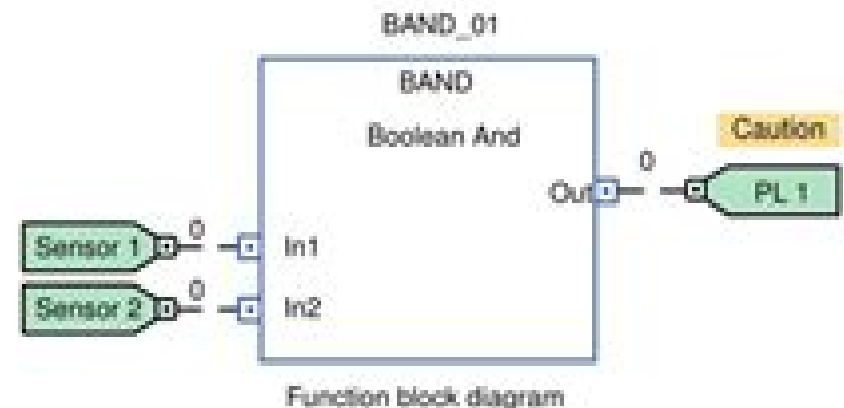
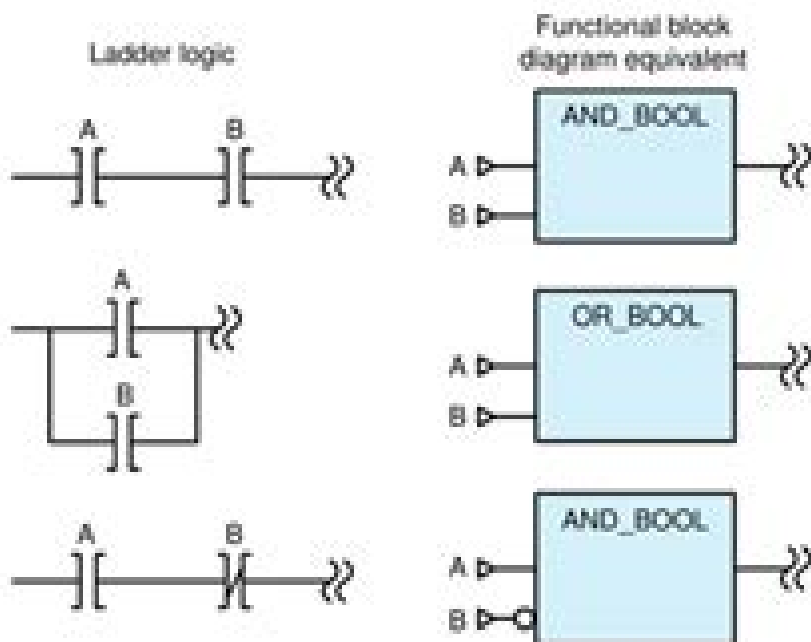


PLC Programming Languages: Function Block Diagram

- The Functional block diagram programming uses instructions that are programmed as blocks wired together on screen to accomplish certain functions. Typical types of function blocks include logic, timers, and counters



Function block diagram equivalents to ladder logic contacts

PLC ladder and equivalent function block diagram

Programming Language One A Structural Approach With Plc

CL Gary



Programming Language One A Structural Approach With Plc:

If you ally dependence such a referred **Programming Language One A Structural Approach With Plc** books that will find the money for you worth, get the totally best seller from us currently from several preferred authors. If you want to funny books, lots of novels, tale, jokes, and more fictions collections are afterward launched, from best seller to one of the most current released.

You may not be perplexed to enjoy every ebook collections Programming Language One A Structural Approach With Plc that we will entirely offer. It is not not far off from the costs. Its practically what you need currently. This Programming Language One A Structural Approach With Plc, as one of the most operating sellers here will definitely be in the middle of the best options to review.

https://www.staging.gilderlehrman.org/results/scholarship/fetch.php/reform_cookery.pdf

Table of Contents Programming Language One A Structural Approach With Plc

1. Understanding the eBook Programming Language One A Structural Approach With Plc
 - The Rise of Digital Reading Programming Language One A Structural Approach With Plc
 - Advantages of eBooks Over Traditional Books
2. Identifying Programming Language One A Structural Approach With Plc
 - Exploring Different Genres
 - Considering Fiction vs. Non-Fiction
 - Determining Your Reading Goals
3. Choosing the Right eBook Platform
 - Popular eBook Platforms
 - Features to Look for in an Programming Language One A Structural Approach With Plc
 - User-Friendly Interface
4. Exploring eBook Recommendations from Programming Language One A Structural Approach With Plc
 - Personalized Recommendations
 - Programming Language One A Structural Approach With Plc User Reviews and Ratings

- Programming Language One A Structural Approach With Plc and Bestseller Lists
- 5. Accessing Programming Language One A Structural Approach With Plc Free and Paid eBooks
 - Programming Language One A Structural Approach With Plc Public Domain eBooks
 - Programming Language One A Structural Approach With Plc eBook Subscription Services
 - Programming Language One A Structural Approach With Plc Budget-Friendly Options
- 6. Navigating Programming Language One A Structural Approach With Plc eBook Formats
 - ePub, PDF, MOBI, and More
 - Programming Language One A Structural Approach With Plc Compatibility with Devices
 - Programming Language One A Structural Approach With Plc Enhanced eBook Features
- 7. Enhancing Your Reading Experience
 - Adjustable Fonts and Text Sizes of Programming Language One A Structural Approach With Plc
 - Highlighting and Note-Taking Programming Language One A Structural Approach With Plc
 - Interactive Elements Programming Language One A Structural Approach With Plc
- 8. Staying Engaged with Programming Language One A Structural Approach With Plc
 - Joining Online Reading Communities
 - Participating in Virtual Book Clubs
 - Following Authors and Publishers Programming Language One A Structural Approach With Plc
- 9. Balancing eBooks and Physical Books Programming Language One A Structural Approach With Plc
 - Benefits of a Digital Library
 - Creating a Diverse Reading Collection Programming Language One A Structural Approach With Plc
- 10. Overcoming Reading Challenges
 - Dealing with Digital Eye Strain
 - Minimizing Distractions
 - Managing Screen Time
- 11. Cultivating a Reading Routine Programming Language One A Structural Approach With Plc
 - Setting Reading Goals Programming Language One A Structural Approach With Plc
 - Carving Out Dedicated Reading Time
- 12. Sourcing Reliable Information of Programming Language One A Structural Approach With Plc
 - Fact-Checking eBook Content of Programming Language One A Structural Approach With Plc
 - Distinguishing Credible Sources

13. Promoting Lifelong Learning
 - Utilizing eBooks for Skill Development
 - Exploring Educational eBooks
14. Embracing eBook Trends
 - Integration of Multimedia Elements
 - Interactive and Gamified eBooks

Programming Language One A Structural Approach With Plc Introduction

In today's digital age, the availability of Programming Language One A Structural Approach With Plc books and manuals for download has revolutionized the way we access information. Gone are the days of physically flipping through pages and carrying heavy textbooks or manuals. With just a few clicks, we can now access a wealth of knowledge from the comfort of our own homes or on the go. This article will explore the advantages of Programming Language One A Structural Approach With Plc books and manuals for download, along with some popular platforms that offer these resources. One of the significant advantages of Programming Language One A Structural Approach With Plc books and manuals for download is the cost-saving aspect. Traditional books and manuals can be costly, especially if you need to purchase several of them for educational or professional purposes. By accessing Programming Language One A Structural Approach With Plc versions, you eliminate the need to spend money on physical copies. This not only saves you money but also reduces the environmental impact associated with book production and transportation. Furthermore, Programming Language One A Structural Approach With Plc books and manuals for download are incredibly convenient. With just a computer or smartphone and an internet connection, you can access a vast library of resources on any subject imaginable. Whether you're a student looking for textbooks, a professional seeking industry-specific manuals, or someone interested in self-improvement, these digital resources provide an efficient and accessible means of acquiring knowledge. Moreover, PDF books and manuals offer a range of benefits compared to other digital formats. PDF files are designed to retain their formatting regardless of the device used to open them. This ensures that the content appears exactly as intended by the author, with no loss of formatting or missing graphics. Additionally, PDF files can be easily annotated, bookmarked, and searched for specific terms, making them highly practical for studying or referencing. When it comes to accessing Programming Language One A Structural Approach With Plc books and manuals, several platforms offer an extensive collection of resources. One such platform is Project Gutenberg, a nonprofit organization that provides over 60,000 free eBooks. These books are primarily in the public domain, meaning they can be freely distributed and downloaded. Project Gutenberg offers a wide range of classic literature, making it an excellent resource for literature enthusiasts. Another popular platform for Programming Language One A Structural

Approach With Plc books and manuals is Open Library. Open Library is an initiative of the Internet Archive, a non-profit organization dedicated to digitizing cultural artifacts and making them accessible to the public. Open Library hosts millions of books, including both public domain works and contemporary titles. It also allows users to borrow digital copies of certain books for a limited period, similar to a library lending system. Additionally, many universities and educational institutions have their own digital libraries that provide free access to PDF books and manuals. These libraries often offer academic texts, research papers, and technical manuals, making them invaluable resources for students and researchers. Some notable examples include MIT OpenCourseWare, which offers free access to course materials from the Massachusetts Institute of Technology, and the Digital Public Library of America, which provides a vast collection of digitized books and historical documents. In conclusion, Programming Language One A Structural Approach With Plc books and manuals for download have transformed the way we access information. They provide a cost-effective and convenient means of acquiring knowledge, offering the ability to access a vast library of resources at our fingertips. With platforms like Project Gutenberg, Open Library, and various digital libraries offered by educational institutions, we have access to an ever-expanding collection of books and manuals. Whether for educational, professional, or personal purposes, these digital resources serve as valuable tools for continuous learning and self-improvement. So why not take advantage of the vast world of Programming Language One A Structural Approach With Plc books and manuals for download and embark on your journey of knowledge?

FAQs About Programming Language One A Structural Approach With Plc Books

What is a Programming Language One A Structural Approach With Plc PDF? A PDF (Portable Document Format) is a file format developed by Adobe that preserves the layout and formatting of a document, regardless of the software, hardware, or operating system used to view or print it. **How do I create a Programming Language One A Structural Approach With Plc PDF?** There are several ways to create a PDF: Use software like Adobe Acrobat, Microsoft Word, or Google Docs, which often have built-in PDF creation tools. Print to PDF: Many applications and operating systems have a "Print to PDF" option that allows you to save a document as a PDF file instead of printing it on paper. Online converters: There are various online tools that can convert different file types to PDF. **How do I edit a Programming Language One A Structural Approach With Plc PDF?** Editing a PDF can be done with software like Adobe Acrobat, which allows direct editing of text, images, and other elements within the PDF. Some free tools, like PDFescape or Smallpdf, also offer basic editing capabilities. **How do I convert a Programming Language One A Structural Approach With Plc PDF to another file format?** There are multiple ways to convert a PDF to another format: Use online converters like Smallpdf, Zamzar, or Adobe Acrobats export feature to convert PDFs to formats like Word, Excel, JPEG, etc. Software like Adobe

Acrobat, Microsoft Word, or other PDF editors may have options to export or save PDFs in different formats. **How do I password-protect a Programming Language One A Structural Approach With Plc PDF?** Most PDF editing software allows you to add password protection. In Adobe Acrobat, for instance, you can go to "File" -> "Properties" -> "Security" to set a password to restrict access or editing capabilities. Are there any free alternatives to Adobe Acrobat for working with PDFs? Yes, there are many free alternatives for working with PDFs, such as: LibreOffice: Offers PDF editing features. PDFsam: Allows splitting, merging, and editing PDFs. Foxit Reader: Provides basic PDF viewing and editing capabilities. How do I compress a PDF file? You can use online tools like Smallpdf, ILovePDF, or desktop software like Adobe Acrobat to compress PDF files without significant quality loss. Compression reduces the file size, making it easier to share and download. Can I fill out forms in a PDF file? Yes, most PDF viewers/editors like Adobe Acrobat, Preview (on Mac), or various online tools allow you to fill out forms in PDF files by selecting text fields and entering information. Are there any restrictions when working with PDFs? Some PDFs might have restrictions set by their creator, such as password protection, editing restrictions, or print restrictions. Breaking these restrictions might require specific software or tools, which may or may not be legal depending on the circumstances and local laws.

Find Programming Language One A Structural Approach With Plc :

[reform cookery](#)

[reforming teacher education a first year progress report on teachers for a new era](#)

[redefining urban and suburban america evidence from census 2000 brookings.](#)

[refresher maths aie](#)

[redes vinculos y subjetividad](#)

[redefinition of conservatism](#)

reforging the transatlantic relationship

~~reflections of an englishwoman abroad~~

regenerating oregons forests

reform and abolition of the traditional chinese examination system east asian monographs series no. 10

reed all about me - autobiography

~~reflective teaching of science 11-18~~

reference manual for stenographers typ

regalo excepcionalan exceptional gift

reevaluating eisenhower american foreign policy in the 1950s

Programming Language One A Structural Approach With Plc :

el lazarrillo de tormes ch n e morros mestres bienvenido - Dec 07 2022

web top search results from the abebooks marketplace el lazarrillo de tormes coleccion clasicos hispanicos morros mestres bienvenido published by vicens vives 2010 isbn 10 8431699817 isbn 13 9788431699819

lazarrillo de tormes novel culture reinassance inmsol - Feb 26 2022

web may 12 2011 12 may 2011 the life of lazarrillo de tormes and of his fortunes and adversities spanish la vida de lazarrillo de tormes y de sus fortunas y adversidades is a spanish novella published anonymously because of its heretical content it was published simultaneously in two cities in 1554 in alcalá de henares spain 7 years after cervantes

el lazarrillo de tormes ch n e amazon com - Sep 04 2022

web oct 3 2013 el lazarrillo de tormes ch n e paperback october 3 2013 spanish edition by bienvenido morros mestres author victor g ambrus illustrator

download el lazarrillo de tormes ch n e clásicos hispanicos - Mar 30 2022

web mar 28 2021 download el lazarrillo de tormes ch n e clásicos hispanicos 9788431699819 de bienvenido morros mestres victor g ambrus libros ebooks el lazarrillo de tormes ch n e clásicos hispanicos 9788431699819 espanol pdf lee ahora

el lazarrillo de tormes ch n e clásicos hispanicos - Aug 15 2023

web el lazarrillo de tormes ch n e clásicos hispanicos morros mestres bienvenido amazon com tr kitap

download el lazarrillo de tormes ch n e clásicos blogger - Jul 02 2022

web jan 29 2021 descargar el lazarrillo de tormes ch n e clásicos descargar el lazarrillo de tormes ch n e clásicos hispanicos 9788431699819 pdf gratis buscas páginas para descargar libros electrónicos gratuitos en español en pdf ebooks epub y mobi conoce páginas legales y libres de derechos

lazarrillo de tormes wikipedia - Apr 30 2022

web the life of lazarrillo de tormes and of his fortunes and adversities spanish la vida de lazarrillo de tormes y de sus fortunas y adversidades la 'βiða ðe laθa'riño ðe 'tormes i ðe sus for'tunas jaðβersi' ðaðes is a spanish novella published anonymously because of its anticlerical content

el lazarrillo de tormes ch n e clasicos hispanicos 2023 - Jan 28 2022

web el primer libro que deja al moroso al desnudo escrito bajo un enfoque humorístico irónico y crítico el libro está pensado para el entretenimiento del lector pero también censura y deja en evidencia el fenómeno de la morosidad y la conducta de los morosos esta obra explora el comportamiento de los morosos desvela su modus operandi

el lazarrillo de tormes ch n e clásicos hispanicos blogger - Aug 03 2022

web easy you simply klick el lazarillo de tormes ch n e clásicos hispánicos consider draw tie on this posting with you can referred to the no cost subscription appearance after the free registration you will be able to download the book in 4 format pdf formatted 8 5 x all pages epub reformatted especially for book readers mobi for kindle which was

el lazarillo de tormes ch n e clásicos hispánicos blogger - Jun 01 2022

web uno de ellos es el libro titulado el lazarillo de tormes ch n e clásicos hispánicos 9788431699819 by bienvenido morros mestres este libro le da al lector nuevos conocimientos y experiencia este libro en línea está hecho en palabras simples

lazarillo de tormes clásicos clásicos hispánicos - May 12 2023

web 12 30 1 de 2ª mano desde 12 00 17 nuevo desde 11 90 1 de coleccionista desde 25 00 el lazarillo ocupa un lugar de privilegio en el nacimiento de la novela picaresca y en general de la novela moderna edición con notas explicativas y de vocabulario introducción apéndice y actividades

el lazarillo de tormes clasicos hispanicos casa del - Mar 10 2023

web el libro el lazarillo de tormes clasicos hispanicos de vv aa en casa del libro con los mejores precios y envíos gratis

amazon es el lazarillo tormes - Feb 09 2023

web el lazarillo de tormes la vida del lazarillo de tormes y de sus fortunas y de sus adversidades spanish edition worldwide classics

el lazarillo de tormes ch n e clásicos hispánicos - Jul 14 2023

web el lazarillo de tormes ch n e clásicos hispánicos 9788431699819 morros mestres bienvenido ambrus victor g amazon es libros

9788431699819 el lazarillo de tormes ch n e clásicos - Apr 11 2023

web el lazarillo de tormes ch n e clásicos hispánicos 9788431699819 de bienvenido morros mestres victor g ambrus y una gran selección de libros arte y artículos de colección disponible en iberlibro com

el lazarillo de tormes pdf google drive - Jun 13 2023

web sign in el lazarillo de tormes pdf google drive sign in

el lazarillo de tormes ch n e clásicos hispánicos - Jan 08 2023

web morros mestres bienvenido 2 92 valoración promedio 324 valoraciones por goodreads tapa blanda isbn 10 8431699817

isbn 13 9788431699819 editorial editorial vicens vives 2013 ver todas las copias de esta edición isbn sinopsis sobre este título

lazarillo de tormes wikipedia - Dec 27 2021

web lazarillo y el ciego monumento al lazarillo di tormes opera di agustín casillas gruppo statuario situato a salamanca

lazarillo de tormes in italiano spesso scritto come lazzarino da tormes o lazzarino di tormes è un romanzo spagnolo di autore

anonimo e di cui non si conosce con certezza la data di composizione

el lazarillo de tormes clásicos para niños amazon es - Nov 06 2022

web edad recomendada 6 años resumen me llamo lázaro de tormes y voy a contarte mi historia tal vez no sea un buen ejemplo pero te reirás un rato así comienza el relato de la vida de lázaro de tormes un pícaro muchacho siempre muerto de hambre que sirve a distintos amos y de todos aprende algo

lazarillo tormes de bienvenido morros iberlibro - Oct 05 2022

web lazarillo de tormes coleccion clasicos hispanicos 4 ano morros mestres bienvenido publicado por ediciones vicens vives s a 2010 isbn 10 8431635460 isbn 13 9788431635466

lns quick six s2 instruction manual pdf download manualslib - Apr 11 2023

web the diagram corresponding to your bar feeder is located in the electric cabinet with the electric diagram move s2 page 29 the voltage of the bar feeder is indicated on the identification plate the lns bar feeders are equipped with their own thermal protection systems breakers thermal relays and fuses etc

quick load servo 80 s2 barfeed lns north america - May 12 2023

web lns quick load servo 80 s2 barfeed service manual 9 020 02 en us general service manual ql servo 80 s2 general service manual ql servo 80 s2 important read this manual carefully before using and retain for future reference published 07 2020 lns america 2020 9 020 02 en

lns ql servo 80 s2 service manual pdf download manualslib - Jan 08 2023

web maximum current rate amps pushing force torque 125 ft lb 167 nm maximum feed rate 330 ft min 100 m min loading cycle for bar stock 8 12 sec loading cycle for shaft loading 4 7 sec service manual ql servo 80 s2

[lns north america imts 2022 lns quick load servo 105 bar feeder](#) - Jan 28 2022

web the quick load servo 105 is a compact robust bar feeder with features to increase speed productivity and versatility for bar feeding and automatic bar loading of small and medium batches these features include quick start ups and diameter changes field proven reliability and the safety and precision of servo motor driven bar positioning

resources lns north america - Jul 02 2022

web lns celebrates its 50th anniversary lns was founded in 1973 manufacturing bar feeding systems then extending activities to chip conveyors air filtration devices work holding systems and coolant management systems learn about lns history

lns quick six troubleshooting manual pdf download manualslib - Mar 10 2023

web page 102 chapter 6 note when ordering parts the following information will be needed to ensure better customer support bar feeder type bar feeder serial number found on the hydraulic tank next to the air regulator bar stock diameter

quick six s2 barfeed lns north america - Jun 13 2023

web quick six s2 barfeed instruction manual 9 024 02 us move s2 move s2 v02 1 table of contents chapter 1 basic notions 3 1 structure 4 1 1 cross references 4 1 2 symbols and terminology 4 2 rights 5 3 ec declaration of conformity 6 4 safety instructions 7 5 safety devices 8 5 1 description

[quick load servo s3 t barfeed lns north america](#) - Aug 15 2023

web quick load servo s3t 5 safety devices the feeder complies with the european standards that are indicated in the declaration of conformity and incorporation safety covers and devices make access to the moving parts of the bar feeder impossible safety switches keep the bar feeder from operating when these protections are open

barfeed reference guide lns north america - Sep 04 2022

web bar stock out of this tolerance will not run at optimum rpm other factors such as material type brass copper bronze and other malleable materials clamping efficiency of the machine workholding alignment of the bar feed oil type bar preparation and spindle liners will affect optimum rpm capability of the system

lns eco load series instruction manual pdf download - Oct 05 2022

web view and download lns eco load series instruction manual online eco load series lathe pdf manual download also for eco load eco load l

[lns north america quick load servo 80](#) - Mar 30 2022

web the quick load servo 80 is a compact robust bar feeder with features to increase speed productivity and versatility for bar feeding and automatic bar loading of small and medium batches these features include quick start ups and diameter changes field proven reliability and the safety and precision of servo motor driven bar positioning

instruction manual instruction manualfor automatic magazine bar quick - Jul 14 2023

web the quick load servo iii bar feed system was specifically designed for loading short bars but can also be used for loading shafts axles or forged parts combining high technology and user friendliness it offers users a surprisingly vast number *chapter 7* - Feb 26 2022

web quick load servo s3 7 1 each p has a de ge o to the instruction manual pg 6 13 type of bar feeder bar feeder serial number bar stock diameter and lathe type refer to htu parts ee feed the lns pcd2 is located on the electrical panel door open charge c n 1 a c n 2 e n c c n 3 c n 1 b caution

lns quick load servo s3 t barfeed service manual - Feb 09 2023

web view and download lns quick load servo s3 t barfeed service manual online quick load servo s3 t barfeed industrial equipment pdf manual download

lns quick load servo 65 troubleshooting manual - Aug 03 2022

web in case the bar feeder or lathe has shifted align the bar feeder again quick load servo 65 80 page 70 spare parts bar

feeder type bar feeder serial number located on the sub base bar stock diameter lathe type brand model quick load servo 65
80 page 71 recommended spare parts list

quick load servo iii lns north america - Nov 06 2022

web start up manual quick load servo servo s3 inc usa america drive tech 4524 33 57 528 lns east cincinnati ohio 513 fax 1
4621 e mail parts service lnsamerica com 74 56 528 lnsamerica com 1 513 tel made in usa eng e 1 10 13 06 table of contents
starting the bar feed

quick load servo 105 lns europe - Apr 30 2022

web the quick load servo 105 offers maximum flexibility for small and medium sized production runs in the diameter range
from 6 to 105 mm this bar feeder equips headstock lathes and allows a multitude of operations to be performed in record
time its compact design ensures a minimal footprint technical information the voice of our customers

lns quick load servo s3 troubleshooting and spare parts manual - Jun 01 2022

web lns quick load servo s3 troubleshooting and spare parts manual pdf download manualslib lns manuals lathe quick load
servo s3 troubleshooting and spare parts manual lns quick load servo s3 troubleshooting and spare parts manual also see for
quick load servo s3 startup manual 24 pages 1

tp machines com - Dec 27 2021

web tp machines com

instruction manual eng lns north america - Dec 07 2022

web lns group com instruction manual eng 9 a02 01 ang alpha st320 s2 alpha st320 s2 v1 01 table of contents chapter 1
basic notions 1 1 1 structure 1 2 2 rights 1 3 the maximum length max l the bar feeder system is allowed to load is given by
the length of the lathe spindle the bar should never

raum ritual und die feier des santiago in den südlichen - Jun 04 2023

web 2008 und 2011 die publikation erscheint 2016 unter dem titel die spur des heiligen raum ritual und die feier des
santiago in den südlichen zentralen anden in der

fünf schritte für ihre reinigungszeremonie rituals - Nov 16 2021

web jun 20 2017 fünf schritten für ihre reinigungszeremonie reinigen sie ihren körper und kommen sie dabei zur ruhe
kreieren sie sich ihre eigene wellness oase mit unserem

die spur des heiligen - Dec 30 2022

web band 36 die spur des heiligen raum ritual und die feier des santiago in den südlichen zentralen anden publikation
anzeigen javascript is disabled for your

rûm suresi 41 ayeti ve meali kuran ve meali - Jul 25 2022

web rûm sûresi 30 41 ayet zahera lfeşâdu fı lberri velbahri bimâ kesebet eydı nnâsi liyuzîkahum ba da llezî amilû le allehum yerci ûn e 1 İnsanların işledikleri kötülükler

the ritual of hammam rituals - Mar 21 2022

web ihre e mail adresse 49 0 221 82829661 ortstarif montag freitag 09 00 21 00 uhr samstag sonntag 10 00 18 30 uhr eines der ältesten reinigungsrituale der welt

die spuren des heiligen raum ritual und die feier copy - May 03 2023

web die spuren des heiligen raum ritual und die feier chicago s schiller gedenkfeier aug 30 2021 catalogue of printed books may 07 2022 coopers international journal nov

die spuren des heiligen raum ritual und die feier pdf - Sep 26 2022

web die spuren des heiligen raum ritual und die feier when people should go to the books stores search opening by shop shelf by shelf it is in reality problematic this is why we

refubium die spur des heiligen raum ritual und die feier des - Aug 06 2023

web die spur des heiligen raum ritual und die feier des santiago in den südlichen zentralen anden

die spuren des heiligen raum ritual und die feier download - Feb 17 2022

web die spuren des heiligen raum ritual und die feier handbuch inklusion in der kirchengemeinde origins of european printmaking der tempel von jerusalem und

die spur des heiligen raum ritual und die feier des santiago - Jan 31 2023

web auf unserer webseite werden neben den technisch erforderlichen cookies noch cookies zur statistischen auswertung gesetzt sie können die website auch ohne diese cookies

die spur des heiligen raum ritual und die feier des santiago - Sep 07 2023

web raum ritual und die feier des santiago in den südlichen zentralen anden berlin edition topoi 2016 abstract santiago der iberische schutzherr gewaltsamer missionierung ist

refubium die spur des heiligen raum ritual und die feier des - Apr 02 2023

web raum ritual und die feier des santiago in den südlichen zentralen anden die spur des heiligen die arbeit stellt anhand von fünf fallbeispielen aus der provinz cotabambas

die spuren des heiligen raum ritual und die feier pdf - Nov 28 2022

web die spuren des heiligen raum ritual und die feier altchristliche liturgien das christliche mysterium ideen über die politik den verkehr und den handel der vornehmsten völker

die spuren des heiligen raum ritual und die feier uniport edu - May 23 2022

web sep 14 2023 merely said the die spuren des heiligen raum ritual und die feier is universally compatible bearing in mind

any devices to read rituale im jahreskreis stark

refubium die spur des heiligen raum ritual und die feier des - Mar 01 2023

web raum ritual und die feier des santiago in den südlichen zentralen anden die spur des heiligen die arbeit stellt anhand von fünf fallbeispielen aus der provinz cotabambas

die spuren des heiligen raum ritual und die feier pdf - Dec 18 2021

web 2 die spuren des heiligen raum ritual und die feier 2023 08 04 reformation und ihren unterschiedlichen gestaltungsformen bis heute band 2 theologie konzentriert die

wichtiges ritual der pilgerreise - Jun 23 2022

web bei dem steinigungsritual bewerfen die gläubigen unter allah ist groß rufen in mina einer der heiligen stätten bei mekka die dortigen säulen dschamarat mit jeweils

die spuren des heiligen raum ritual und die feier - Aug 26 2022

web die spuren des heiligen raum ritual und die feier die spuren des heiligen raum ritual und die feier 4 downloaded from pivotid uvu edu on 2020 05 03 by guest diskurs

die spuren des heiligen raum ritual und die feier 2023 - Oct 08 2023

web 2 die spuren des heiligen raum ritual und die feier 2023 08 11 und das sind nur einige themen dieses faszinierenden gießener symposionsbandes der nach

die spuren des heiligen raum ritual und die feier copy - Jan 19 2022

web oct 4 2023 die spuren des heiligen raum ritual und die feier 2 13 downloaded from uniport edu ng on october 4 2023 by guest leben zu bringen sie finden viele einfache

mundöffnungsritual wikipedia - Apr 21 2022

web wepet ra wpt r3 Öffnung des mundes mundöffnungsritual papyrus hunnefer um 1290 v chr das mundöffnungsritual auch augenöffnungsritual stellte ein altägyptisches opfer

die spuren des heiligen raum ritual und die feier des - Jul 05 2023

web die spuren des heiligen raum ritual und die feier des santiago in den südlichen zentralen anden berlin studies of the ancient world 36 schäfer axel isbn

die spur des heiligen raum ritual und die feier des santiago - Oct 28 2022

web jan 1 2017 die spur des heiligen raum ritual und die feier des santiago in den südlichen zentralen anden berlin studies of the ancient world 36 schäfer axel on