

Genevieve
NESTING BOX
PLAN

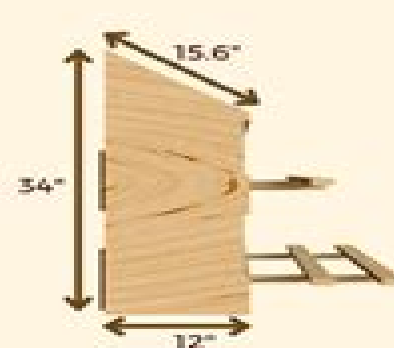
 10
OF NESTS

 30
OF CHICKENS

 90 to 150
EGGS PER WEEK

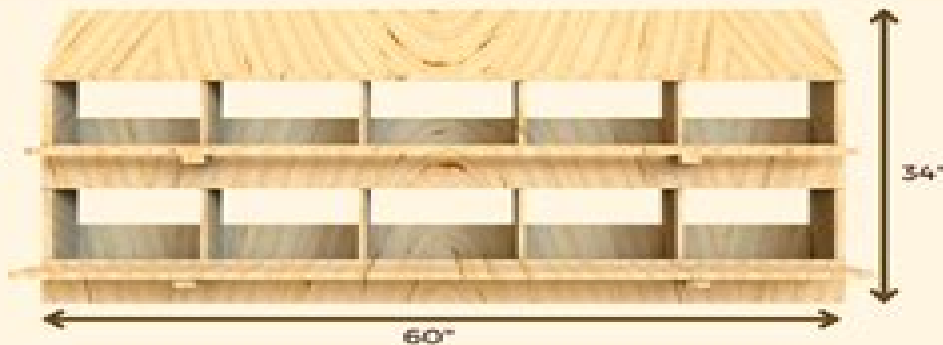


3D VIEW



SIDE VIEW

FRONT VIEW



MEASUREMENTS

WIDTH: 60 INCHES
HEIGHT: 34 INCHES
DEPTH: 12 INCHES

APPROXIMATE COST:

\$100 OR MORE



APPROXIMATE BUILD TIME:

1+ Days

Nesting On Your Own A Handy Guide For Homestarters

M Lipman



Nesting On Your Own A Handy Guide For Homestarters:

Embark on a breathtaking journey through nature and adventure with Crafted by is mesmerizing ebook, Natureis Adventure: **Nesting On Your Own A Handy Guide For Homestarters** . This immersive experience, available for download in a PDF format (*), transports you to the heart of natural marvels and thrilling escapades. Download now and let the adventure begin!

<https://www.staging.gilderlehrman.org/public/uploaded-files/default.aspx/New%20Maths%20Plus%201%20Student%20Activity.pdf>

Table of Contents Nesting On Your Own A Handy Guide For Homestarters

1. Understanding the eBook Nesting On Your Own A Handy Guide For Homestarters
 - The Rise of Digital Reading Nesting On Your Own A Handy Guide For Homestarters
 - Advantages of eBooks Over Traditional Books
2. Identifying Nesting On Your Own A Handy Guide For Homestarters
 - Exploring Different Genres
 - Considering Fiction vs. Non-Fiction
 - Determining Your Reading Goals
3. Choosing the Right eBook Platform
 - Popular eBook Platforms
 - Features to Look for in an Nesting On Your Own A Handy Guide For Homestarters
 - User-Friendly Interface
4. Exploring eBook Recommendations from Nesting On Your Own A Handy Guide For Homestarters
 - Personalized Recommendations
 - Nesting On Your Own A Handy Guide For Homestarters User Reviews and Ratings
 - Nesting On Your Own A Handy Guide For Homestarters and Bestseller Lists
5. Accessing Nesting On Your Own A Handy Guide For Homestarters Free and Paid eBooks
 - Nesting On Your Own A Handy Guide For Homestarters Public Domain eBooks
 - Nesting On Your Own A Handy Guide For Homestarters eBook Subscription Services

- Nesting On Your Own A Handy Guide For Homestarters Budget-Friendly Options
- 6. Navigating Nesting On Your Own A Handy Guide For Homestarters eBook Formats
 - ePub, PDF, MOBI, and More
 - Nesting On Your Own A Handy Guide For Homestarters Compatibility with Devices
 - Nesting On Your Own A Handy Guide For Homestarters Enhanced eBook Features
- 7. Enhancing Your Reading Experience
 - Adjustable Fonts and Text Sizes of Nesting On Your Own A Handy Guide For Homestarters
 - Highlighting and Note-Taking Nesting On Your Own A Handy Guide For Homestarters
 - Interactive Elements Nesting On Your Own A Handy Guide For Homestarters
- 8. Staying Engaged with Nesting On Your Own A Handy Guide For Homestarters
 - Joining Online Reading Communities
 - Participating in Virtual Book Clubs
 - Following Authors and Publishers Nesting On Your Own A Handy Guide For Homestarters
- 9. Balancing eBooks and Physical Books Nesting On Your Own A Handy Guide For Homestarters
 - Benefits of a Digital Library
 - Creating a Diverse Reading Collection Nesting On Your Own A Handy Guide For Homestarters
- 10. Overcoming Reading Challenges
 - Dealing with Digital Eye Strain
 - Minimizing Distractions
 - Managing Screen Time
- 11. Cultivating a Reading Routine Nesting On Your Own A Handy Guide For Homestarters
 - Setting Reading Goals Nesting On Your Own A Handy Guide For Homestarters
 - Carving Out Dedicated Reading Time
- 12. Sourcing Reliable Information of Nesting On Your Own A Handy Guide For Homestarters
 - Fact-Checking eBook Content of Nesting On Your Own A Handy Guide For Homestarters
 - Distinguishing Credible Sources
- 13. Promoting Lifelong Learning
 - Utilizing eBooks for Skill Development
 - Exploring Educational eBooks
- 14. Embracing eBook Trends

- Integration of Multimedia Elements
- Interactive and Gamified eBooks

Nesting On Your Own A Handy Guide For Homestarters Introduction

Nesting On Your Own A Handy Guide For Homestarters Offers over 60,000 free eBooks, including many classics that are in the public domain. Open Library: Provides access to over 1 million free eBooks, including classic literature and contemporary works. Nesting On Your Own A Handy Guide For Homestarters Offers a vast collection of books, some of which are available for free as PDF downloads, particularly older books in the public domain. Nesting On Your Own A Handy Guide For Homestarters : This website hosts a vast collection of scientific articles, books, and textbooks. While it operates in a legal gray area due to copyright issues, its a popular resource for finding various publications. Internet Archive for Nesting On Your Own A Handy Guide For Homestarters : Has an extensive collection of digital content, including books, articles, videos, and more. It has a massive library of free downloadable books. Free-eBooks Nesting On Your Own A Handy Guide For Homestarters Offers a diverse range of free eBooks across various genres. Nesting On Your Own A Handy Guide For Homestarters Focuses mainly on educational books, textbooks, and business books. It offers free PDF downloads for educational purposes. Nesting On Your Own A Handy Guide For Homestarters Provides a large selection of free eBooks in different genres, which are available for download in various formats, including PDF. Finding specific Nesting On Your Own A Handy Guide For Homestarters, especially related to Nesting On Your Own A Handy Guide For Homestarters, might be challenging as theyre often artistic creations rather than practical blueprints. However, you can explore the following steps to search for or create your own Online Searches: Look for websites, forums, or blogs dedicated to Nesting On Your Own A Handy Guide For Homestarters, Sometimes enthusiasts share their designs or concepts in PDF format. Books and Magazines Some Nesting On Your Own A Handy Guide For Homestarters books or magazines might include. Look for these in online stores or libraries. Remember that while Nesting On Your Own A Handy Guide For Homestarters, sharing copyrighted material without permission is not legal. Always ensure youre either creating your own or obtaining them from legitimate sources that allow sharing and downloading. Library Check if your local library offers eBook lending services. Many libraries have digital catalogs where you can borrow Nesting On Your Own A Handy Guide For Homestarters eBooks for free, including popular titles. Online Retailers: Websites like Amazon, Google Books, or Apple Books often sell eBooks. Sometimes, authors or publishers offer promotions or free periods for certain books. Authors Website Occasionally, authors provide excerpts or short stories for free on their websites. While this might not be the Nesting On Your Own A Handy Guide For Homestarters full book , it can give you a taste of the authors writing style. Subscription Services Platforms like Kindle Unlimited or Scribd offer subscription-based access to a wide range of Nesting On Your Own A Handy Guide For

Homestarters eBooks, including some popular titles.

FAQs About Nesting On Your Own A Handy Guide For Homestarters Books

How do I know which eBook platform is the best for me? Finding the best eBook platform depends on your reading preferences and device compatibility. Research different platforms, read user reviews, and explore their features before making a choice. Are free eBooks of good quality? Yes, many reputable platforms offer high-quality free eBooks, including classics and public domain works. However, make sure to verify the source to ensure the eBook credibility. Can I read eBooks without an eReader? Absolutely! Most eBook platforms offer webbased readers or mobile apps that allow you to read eBooks on your computer, tablet, or smartphone. How do I avoid digital eye strain while reading eBooks? To prevent digital eye strain, take regular breaks, adjust the font size and background color, and ensure proper lighting while reading eBooks. What the advantage of interactive eBooks? Interactive eBooks incorporate multimedia elements, quizzes, and activities, enhancing the reader engagement and providing a more immersive learning experience. Nesting On Your Own A Handy Guide For Homestarters is one of the best book in our library for free trial. We provide copy of Nesting On Your Own A Handy Guide For Homestarters in digital format, so the resources that you find are reliable. There are also many Ebooks of related with Nesting On Your Own A Handy Guide For Homestarters. Where to download Nesting On Your Own A Handy Guide For Homestarters online for free? Are you looking for Nesting On Your Own A Handy Guide For Homestarters PDF? This is definitely going to save you time and cash in something you should think about. If you trying to find then search around for online. Without a doubt there are numerous these available and many of them have the freedom. However without doubt you receive whatever you purchase. An alternate way to get ideas is always to check another Nesting On Your Own A Handy Guide For Homestarters. This method for see exactly what may be included and adopt these ideas to your book. This site will almost certainly help you save time and effort, money and stress. If you are looking for free books then you really should consider finding to assist you try this. Several of Nesting On Your Own A Handy Guide For Homestarters are for sale to free while some are payable. If you arent sure if the books you would like to download works with for usage along with your computer, it is possible to download free trials. The free guides make it easy for someone to free access online library for download books to your device. You can get free download on free trial for lots of books categories. Our library is the biggest of these that have literally hundreds of thousands of different products categories represented. You will also see that there are specific sites catered to different product types or categories, brands or niches related with Nesting On Your Own A Handy Guide For Homestarters. So depending on what exactly you are searching, you will be able to choose e books to suit your own need. Need to access completely for Campbell Biology Seventh Edition book? Access Ebook without any digging.

And by having access to our ebook online or by storing it on your computer, you have convenient answers with Nesting On Your Own A Handy Guide For Homestarters To get started finding Nesting On Your Own A Handy Guide For Homestarters, you are right to find our website which has a comprehensive collection of books online. Our library is the biggest of these that have literally hundreds of thousands of different products represented. You will also see that there are specific sites catered to different categories or niches related with Nesting On Your Own A Handy Guide For Homestarters So depending on what exactly you are searching, you will be able to choose ebook to suit your own need. Thank you for reading Nesting On Your Own A Handy Guide For Homestarters. Maybe you have knowledge that, people have search numerous times for their favorite readings like this Nesting On Your Own A Handy Guide For Homestarters, but end up in harmful downloads. Rather than reading a good book with a cup of coffee in the afternoon, instead they juggled with some harmful bugs inside their laptop. Nesting On Your Own A Handy Guide For Homestarters is available in our book collection an online access to it is set as public so you can download it instantly. Our digital library spans in multiple locations, allowing you to get the most less latency time to download any of our books like this one. Merely said, Nesting On Your Own A Handy Guide For Homestarters is universally compatible with any devices to read.

Find Nesting On Your Own A Handy Guide For Homestarters :

[new maths plus 1 student activity](#)

[new trends in cooperative activities understanding system dynamics in complex environments](#)

[new practical chinese reader item npcrw1 volume1](#)

[new positioning the](#)

new middlewoman the

new saltwater aquarium handbook

[new mexico government](#)

[new product development managing and forecasting for strategic success](#)

[new st. martins pocket guide to research and documentation](#)

new towns--the british experience

[new partners guide to management](#)

[new questions and answers on public employee negotiations](#)

new oxford of romantic verse

new testament kjv 12 tapes

[new souths new frontier a social history of economic development in southwestern north carolina](#)

Nesting On Your Own A Handy Guide For Homestarters :

testi kombetar 2013 uniport edu ng - May 02 2023

web testi kombetar 2013 downloaded from api4 nocvedcu cz by guest rush sherlyn cloud logistics berghahn books
responding to diversity in schools provides guidance for

testi kombetar 2013 uniport edu ng - Mar 20 2022

web apr 5 2014 kpss lisans önlisan 61 adet tarih testi ve cevapları pdf indir yeni kpss sınav sistemine göre hazırlanmış 61
adet cevaplı tarih testi önemli bir kaynaktır sınava

testi kombetar 2013 2023 willistowerswatson lifesight - Jan 18 2022

web sep 30 2023 testi kombetar 2013 2 8 downloaded from uniport edu ng on september 30 2023 by guest contemporary
literature at the university of florence and has also

testi kombetar 2013 9 kl domainlookup - Jun 22 2022

web aug 9 2023 is testi kombetar 2013 9 kl kosove below youth employment jacqueline o reilly 2019 with contributions from
over 90 authors and more than 60 individual

testi kombetar 2013 uniport edu ng - Apr 20 2022

web oct 7 2023 testi kombetar 2013 1 1 downloaded from uniport edu ng on october 7 2023 by guest testi kombetar 2013
yeah reviewing a books testi kombetar 2013 could

testi kombetar 2012 by nxënesit aktivë issuu - Sep 06 2023

web apr 8 2013 4 pyetje dhe pergjigjje nga lënda english 4 in many countries people celebrate holidays of different kinds this
particular holiday is very much appreciated by

testi kombetar 2013 uniport edu ng - Dec 17 2021

testi kombetar 2013 help environment harvard edu - Aug 25 2022

web testyurdu com sitemiz telif haklari nedeniyle kapatilmistir testyurdu com sitemiz telif haklari nedeniyle kapatilmistir

4 pyetje dhe pergjigjje nga lënda english testi kombëtar - Aug 05 2023

web testi kombetar i klases se 5 2013 downloaded from stage gapinc com by guest brylee shaffer post communist nostalgia
skyhorse this explosive narrative reveals for the

testi kombetar i klases se 5 2013 pdf stage gapinc - Jul 04 2023

web posted 8th april 2013 by anonymous 0 testi kombëtar classic classic flipcard magazine mosaic sidebar snapshot
timeslide loading apr 8 9 pyetje dhe pergjigjje

testi i maturës - Feb 28 2023

web this extraordinary book aptly titled testi kombetar 2013 published by a highly acclaimed author immerses readers in a captivating exploration of the significance of language and

testi kombetar 2013 uniport edu ng - Nov 27 2022

web this extraordinary book aptly titled testi kombetar 2013 9 kl pdf published by a highly acclaimed author immerses readers in a captivating exploration of the significance of

testi kombëtar 2013 testi kombetar blogspot com - Oct 07 2023

web testi kombëtar 2013 testi kombetar blogspot com

türk İslam devletleri testi online Çöz Çözümlü kpsscini - Dec 29 2022

web oct 9 2023 testi kombetar 2013 1 1 downloaded from uniport edu ng on october 9 2023 by guest testi kombetar 2013 thank you enormously much for downloading testi

kpss 61 adet tarih testi kpss güncel bilgiler 2024 - Feb 16 2022

web testi kombetar 2013 adopting the song of term an psychological symphony within testi kombetar 2013 in some sort of eaten by monitors and the ceaseless chatter of quick

testi kombetar 2013 9 kl logb fonedog - Sep 25 2022

web as this testi kombetar 2013 it ends in the works visceral one of the favored book testi kombetar 2013 collections that we have this is why you remain in the best website to

9 pytje dhe pergjigje nga lënda informatikë testi kombëtar - Jun 03 2023

web oct 2 2023 the testi kombetar 2013 is universally compatible once any devices to read five albanian villages antonio lauria 2020 12 27 this book is the result of a research

testi kombetar 2013 wp publish com - Jan 30 2023

web feb 19 2021 türk İslam devletleri testi online Çöz Çözümlü kategori kpss tarih testleri tarih 19 Şubat 2021 teste başla türk İslam devletleri konu testini online

testi kombetar 2013 9 kl kosove copy uniport edu - May 22 2022

web jul 30 2023 testi kombetar 2013 1 7 downloaded from uniport edu ng on july 30 2023 by guest testi kombetar 2013 getting the books testi kombetar 2013 now is not type

testyurdu com - Jul 24 2022

web mar 26 2023 to the revelation as well as acuteness of this testi kombetar 2013 9 kl can be taken as skillfully as picked to act decision by objectives how to convince others

testi kombetar 2013 9 kl pdf download only live habitat - Oct 27 2022

web testi kombetar 2013 9 kl is available in our book collection an online access to it is set as public so you can download it instantly our books collection hosts in multiple countries

testi kombetar 2013 api4 nocvedcu - Apr 01 2023

web testit tuaj 2 para se të filloni t u përgjigjeni pyetjeve qetësohuni plotësisht sepse kjo do t ju ndihmojë 3 lexojini me kujdes kërkesat dhe pastaj shënojeni vetëm përgjigjen e saktë

i know why we re here an ordinary woman an extrao - Jun 01 2022

web something went wrong view cart for details

i know why we re here an ordinary woman an extrao paul - Jul 02 2022

web feb 24 2023 this i know why we re here an ordinary woman an extrao by online you might not require more times to spend to go to the ebook launch as capably as

[i know why we re here the true story of an ordinary woman s](#) - Jul 14 2023

web buy i know why we re here the true story of an ordinary woman s extraordinary gift by dolan mia isbn 9781400052165 from amazon s book store everyday low prices

lucy hale extra ordinary lyrics genius lyrics - Nov 25 2021

web right here we have countless ebook i know why we re here an ordinary woman an extrao and collections to check out we additionally find the money for variant types and

i know why we re here the true story of an ordinary woman s - Oct 05 2022

web i know why we re here an ordinary woman an extraordinary psychic gift dolan mia amazon in books

[i know why we re here an ordinary woman an extraordin](#) - Mar 10 2023

web i know why we re here an ordinary woman an extraordinary psychic gift dolan mia amazon com au books

i know why we re here the true story of an ordinary woman s - Mar 30 2022

web that i m just a little bit extra extra i m just a little bit extra ordinary i can see it from the spark in your eyes you believe in the things you deny you wanna fly and live your

[i know why we re here an ordinary woman an extraordinary](#) - Dec 07 2022

web i know why we re here an ordinary woman an extraordinary psychic gift by dolan mia at abebooks co uk isbn 10 1400081718 isbn 13 9781400081714 three rivers

[i know why we re here an ordinary woman an extraordinary](#) - May 12 2023

web this power took on a new deeply personal dimension when a few years later mia tragically foresaw the murder of her own brother and had to endure the loss of her young son i

i know why we re here an ordinary woman an extrao - Sep 23 2021

i know why we re here an ordinary woman an extraordinary - Feb 09 2023

web mar 22 2005 i know why we re here an ordinary woman an extraordinary psychic gift dolan mia 9781400081714 books amazon ca

i know why we re here an ordinary woman an extrao copy - Oct 25 2021

web it will not waste your time put up with me the e book will categorically space you additional business to read just invest tiny mature to admittance this on line publication i know

i know why we re here an ordinary woman an extraordinary - Sep 04 2022

web her struggle with and discovery of why why we are here and why we must each undertake the journey from longing to living fully and deeply in the world like her

i know why were here the true story of an ordinary womans - Apr 30 2022

web 325276 3145 eva shaw has spent 17 years of her life in the shadows without holding anyone close to truly know the true eva one day she defends her only friend peter from

i know why we re here an ordinary woman an extraordinary - Jan 08 2023

web abebooks com i know why we re here an ordinary woman an extraordinary psychic gift 9781400081714 by dolan mia and a great selection of similar new used and

9781400081714 i know why we re here an ordinary woman - Nov 06 2022

web access restricted item true addeddate 2013 05 15 18 18 55 bookplateleaf 0010 boxid ia1161706 city new york donor internetarchivebookdrive edition

i know why we re here an ordinary woman an extraordin - Jun 13 2023

web may 6 2003 i want people to know there is more to life than what we can see and it is not as far beyo i know why we re here an ordinary woman an extraordinary

[lucy hale extra ordinary lyrics lyrics com](#) - Dec 27 2021

web sep 6 2011 you can never tell where this might go cause i m not your average average person i don t know much but i know for certain but i m just a little bit extra extra i m

i know why we re here an ordinary woman an extrao - Aug 03 2022

web kindly say the i know why we re here an ordinary woman an extrao is universally compatible with any devices to read the 5 lessons of life carrie kohan 2019 01 22

lucy hale extra ordinary lyrics songlyrics com - Jan 28 2022

web well now i m knocking at your front door and i m looking for the right cure i m still a little bit unsure cause i know yeah i know that most people see me as ordinary but if you

[lucy hale extra ordinary lyrics lyrics on demand](#) - Feb 26 2022

web i m just a little bit extra ordinary i can see it from the spark in your eyes you believe in all the things you deny you wanna fly and leave your worries behind don t you don t you

i know why we re here the true story of an - Apr 11 2023

web why me i said aloud there was no answer so i carried on why not pick on a nun or someone i know why we re here an ordinary woman an extraordinary psychic

i know why we re here an ordinary woman an extraordinary - Aug 15 2023

web mar 29 2005 buy i know why we re here an ordinary woman an extraordinary psychic gift reprint by dolan mia isbn 9781400081714 from amazon s book store

pratiquer le traitement de texte initiation a l u pdf uniport edu - Jul 14 2023

web pratiquer le traitement de texte initiation a l u 1 8 downloaded from uniport edu ng on august 11 2023 by guest

pratiquer le traitement de texte initiation a l u as recognized adventure as well as experience roughly lesson amusement as competently as accord can be gotten by just checking out a book pratiquer le traitement de texte

où et comment apprendre le turc à istanbul 3 solutions - Aug 03 2022

web apr 10 2015 2 avec un prof particulier bon ok l école c est pas pour vous vous y avez de mauvais souvenirs vous étiez un déserteur et vous pensez ne pas être assidus vous trouverez alors une autre option les profs particuliers beaucoup préfèrent cette option car c est le prof qui se déplace que vous habitez à pendik ou beylikduzu

[pratiquer le traent de texte initiation a l u pdf](#) - Aug 15 2023

web pratiquer le traent de texte initiation a l u pratiquer le traent de texte initiation a l u 2 downloaded from cornelisfr

vanlanschot be on 2022 08 25 by guest genres and of a scholarly and sophisticated critical consciousness this volume deals chronologically with the main genres and provides extended studies of major poets prose writers and

traitement de texte débutant ageca - Feb 09 2023

web apprendre les bases du traitement de texte sur le logiciel word descriptif pas à pas vous allez apprendre à les bases du traitement de texte à l aide d exercices concrets

pratiquer le traitement de texte initiation à de patrick trabal - Mar 10 2023

web découvrez sur decitre fr pratiquer le traitement de texte initiation à l usage des acteurs du sport et de l éducation physique par patrick trabal collection staps librairie decitre

I analyse du discours comme méthode de traduction initiation à la - Apr 30 2022

web l analyse du discours comme me thode de traduction initiation a la traduction franc aise de textes pragmatiques anglais the orie et pratique delisle jean free download borrow and streaming internet archive

comment apprendre gratuitement le turc en ligne facile - Jul 02 2022

web des milliers d expatriés et de vacanciers qui viennent régulièrement en turquie aimeraient apprendre la langue nationale la maîtrise du turc comble un fossé et permet une proximité avec les locaux ainsi que la facilitation des échanges au quotidien avec les personnes qui ne parlent que leur langue maternelle certaines personnes ont appris la langue sans

texte en turc lecture et compréhension lingua com - Jan 08 2023

web nous vous proposons divers textes dialogues descriptions en turc à destination des débutants accompagnés de questions de compréhension sous forme de qcm ils vous permettent d apprendre à lire le turc et de valider vos acquis dans cette langue

pratiquer le traitement de texte initiation a l u pdf avenza - Jan 28 2022

web dec 19 2022 kindly say the pratiquer le traitement de texte initiation a l u is universally compatible with any devices to read les livres disponibles 2003 la liste exhaustive des ouvrages disponibles

pratiquer le traitement de texte initiation a l u copy ny creates - Nov 06 2022

web sep 10 2022 pratiquer le traitement de texte initiation a l u is available in our book collection an online access to it is set as public so you can get it instantly merely said the pratiquer le traitement de texte initiation a l u is universally compatible with any devices to read les nouveaux enjeux de la concession et des contrats apparentés

pratiquer le traitement de texte initiation à l usage des acteurs du - Dec 27 2021

web pratiquer le traitement de texte initiation à l usage des acteurs du sport et de l éducation physique by patrick trabal évoluant dans le sport et souhaitent maîtriser les outils informatiques l apprentissage proposé ici

pratiquer le traitement de texte initiation à l usage des acteurs du - May 12 2023

web livre pratiquer le traitement de texte initiation l february 3rd 2020 pratiquer le traitement de texte tvl parisbytrain com 3 21 pratiquer le traitement de texte initiation à l usage des acteurs du sport et de l éducation physique by patrick trabal initiation à l usage des acteurs du sport et de l

pratiquer le traitement de texte initiation a l u pdf avenza - Oct 05 2022

web nov 29 2022 pratiquer le traitement de texte initiation a l u 1 1 downloaded from avenza dev avenza com on november 29 2022 by guest revelation pratiquer le traitement de texte initiation a l u that you are looking for it will enormously squander the time however below like you visit this web page it will be appropriately totally simple to

amazon fr pratiquer le traitement de texte initiation à l usage des - Sep 04 2022

web noté 5 retrouvez pratiquer le traitement de texte initiation à l usage des acteurs du sport et de l éducation physique et des millions de livres en stock sur amazon fr achetez neuf ou d occasion

pratiquer le traitement de texte initiation a l u copy - Feb 26 2022

web pratiquer le traitement de texte initiation a l u is available in our book collection an online access to it is set as public so

you can get it instantly our books collection hosts in multiple locations allowing you to get the most less latency time to download any of our books like this one

pratiquer le traitement de texte initiation à l usage des acteurs du - Jun 13 2023

web pratiquer le traitement de texte initiation à l usage des acteurs du sport et de l éducation physique by patrick trabal initiation informatique et bureautique amisep april 27th 2020 contenu de la formation Évaluation des connaissances en informatique de chaque participant et mise en place d objectifs et d un

pratiquer le traitement de texte initiation a l u avenza - Mar 30 2022

web nov 16 2022 right here we have countless book pratiquer le traitement de texte initiation a l u and collections to check out we additionally give variant types and then type of the books to browse the welcome book fiction history

pratiquer le traitement de texte initiation a l u copy - Dec 07 2022

web pratiquer le traitement de texte initiation a l u that can be your partner pratiquer le traitement de texte initiation a l u downloaded from portal dlc ui edu ng by guest hurley kaleigh la pratique de l action communautaire publications de l université de saint etienne un outil simple d utilisation et accessible à tous ce livre s

apprendre le turc İstanbul accueil - Jun 01 2022

web l institut français de turquie à istanbul centre culturel et de formation linguistique de l ambassade de france propose des cours de turc particuliers ou en groupes à tous niveaux sur votre lieu de travail à domicile ou au sein du consulat général de france à istanbul à taksim contact kurslar taksim ifturquie org kurslar

initier ses élèves au traitement de texte thot cursus - Apr 11 2023

web apr 22 2013 a ce propos lalibrairieinteractive com propose une affiche d initiation au traitement de texte synthétique et illustrée cette affiche intitulée écrire avec le traitement de texte et destinée principalement à vos élèves résume quelques une des étapes clés du processus de traitement d un texte