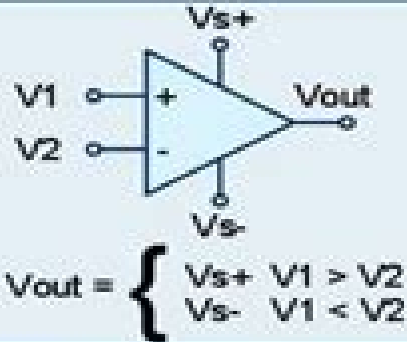
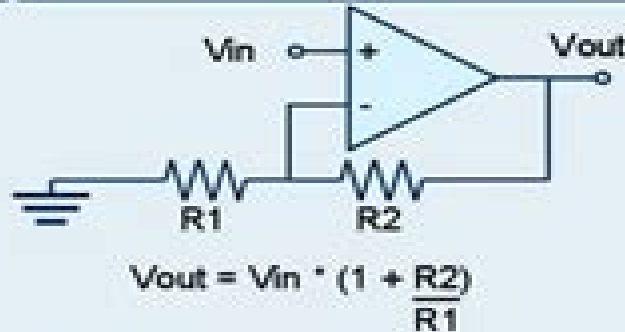


# Basic Operational Amplifier Configurations

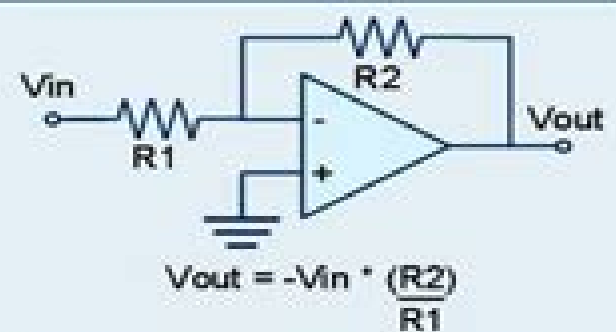
Voltage Comparator



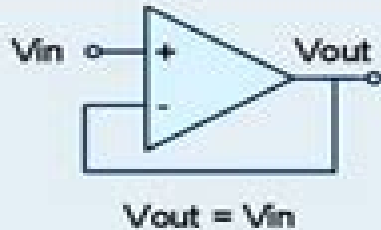
Non-Inverting Amplifier



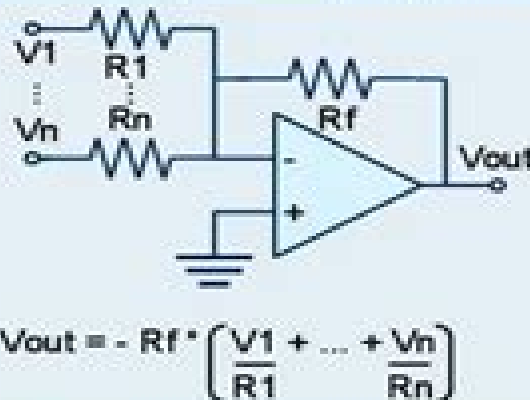
Inverting Amplifier



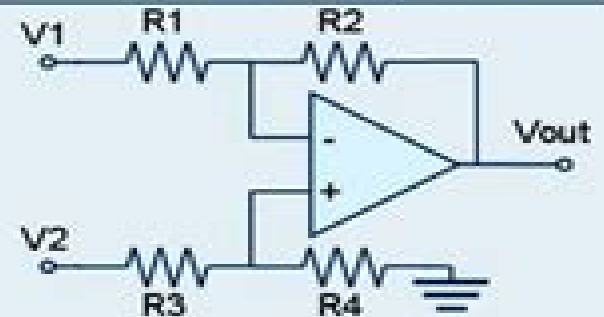
Voltage Follower



Inverting Summing Amplifier

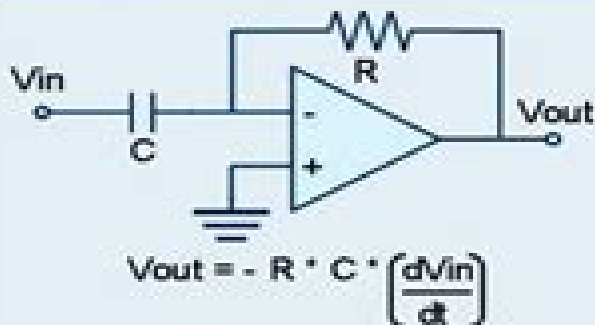


Differential Amplifier

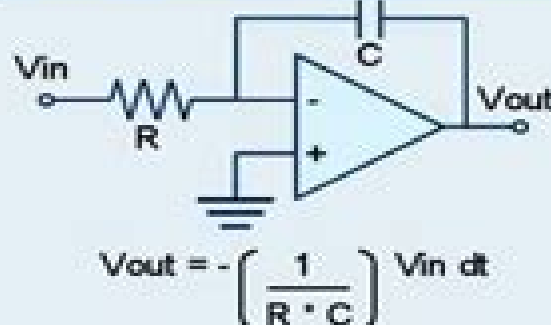


 circuitmix

Differentiator Amplifier



Integrator Amplifier



# Operational Amplifier Circuits

**Siddappa N.Byrareddy**



## **Operational Amplifier Circuits:**

## Unveiling the Magic of Words: A Review of "**Operational Amplifier Circuits**"

In a world defined by information and interconnectivity, the enchanting power of words has acquired unparalleled significance. Their capability to kindle emotions, provoke contemplation, and ignite transformative change is truly awe-inspiring. Enter the realm of "**Operational Amplifier Circuits**," a mesmerizing literary masterpiece penned by a distinguished author, guiding readers on a profound journey to unravel the secrets and potential hidden within every word. In this critique, we shall delve to the book is central themes, examine its distinctive writing style, and assess its profound affect the souls of its readers.

<https://www.staging.gilderlehrman.org/About/publication/fetch.php/simple%20pleasures%20from%20our%20maritime%20kit%20chens%20anecdotes%20history%20and%20recipes.pdf>

### **Table of Contents Operational Amplifier Circuits**

1. Understanding the eBook Operational Amplifier Circuits
  - The Rise of Digital Reading Operational Amplifier Circuits
  - Advantages of eBooks Over Traditional Books
2. Identifying Operational Amplifier Circuits
  - Exploring Different Genres
  - Considering Fiction vs. Non-Fiction
  - Determining Your Reading Goals
3. Choosing the Right eBook Platform
  - Popular eBook Platforms
  - Features to Look for in an Operational Amplifier Circuits
  - User-Friendly Interface
4. Exploring eBook Recommendations from Operational Amplifier Circuits
  - Personalized Recommendations
  - Operational Amplifier Circuits User Reviews and Ratings

- Operational Amplifier Circuits and Bestseller Lists
- 5. Accessing Operational Amplifier Circuits Free and Paid eBooks
  - Operational Amplifier Circuits Public Domain eBooks
  - Operational Amplifier Circuits eBook Subscription Services
  - Operational Amplifier Circuits Budget-Friendly Options
- 6. Navigating Operational Amplifier Circuits eBook Formats
  - ePub, PDF, MOBI, and More
  - Operational Amplifier Circuits Compatibility with Devices
  - Operational Amplifier Circuits Enhanced eBook Features
- 7. Enhancing Your Reading Experience
  - Adjustable Fonts and Text Sizes of Operational Amplifier Circuits
  - Highlighting and Note-Taking Operational Amplifier Circuits
  - Interactive Elements Operational Amplifier Circuits
- 8. Staying Engaged with Operational Amplifier Circuits
  - Joining Online Reading Communities
  - Participating in Virtual Book Clubs
  - Following Authors and Publishers Operational Amplifier Circuits
- 9. Balancing eBooks and Physical Books Operational Amplifier Circuits
  - Benefits of a Digital Library
  - Creating a Diverse Reading Collection Operational Amplifier Circuits
- 10. Overcoming Reading Challenges
  - Dealing with Digital Eye Strain
  - Minimizing Distractions
  - Managing Screen Time
- 11. Cultivating a Reading Routine Operational Amplifier Circuits
  - Setting Reading Goals Operational Amplifier Circuits
  - Carving Out Dedicated Reading Time
- 12. Sourcing Reliable Information of Operational Amplifier Circuits
  - Fact-Checking eBook Content of Operational Amplifier Circuits
  - Distinguishing Credible Sources

13. Promoting Lifelong Learning
  - Utilizing eBooks for Skill Development
  - Exploring Educational eBooks
14. Embracing eBook Trends
  - Integration of Multimedia Elements
  - Interactive and Gamified eBooks

### **Operational Amplifier Circuits Introduction**

In this digital age, the convenience of accessing information at our fingertips has become a necessity. Whether its research papers, eBooks, or user manuals, PDF files have become the preferred format for sharing and reading documents. However, the cost associated with purchasing PDF files can sometimes be a barrier for many individuals and organizations. Thankfully, there are numerous websites and platforms that allow users to download free PDF files legally. In this article, we will explore some of the best platforms to download free PDFs. One of the most popular platforms to download free PDF files is Project Gutenberg. This online library offers over 60,000 free eBooks that are in the public domain. From classic literature to historical documents, Project Gutenberg provides a wide range of PDF files that can be downloaded and enjoyed on various devices. The website is user-friendly and allows users to search for specific titles or browse through different categories. Another reliable platform for downloading Operational Amplifier Circuits free PDF files is Open Library. With its vast collection of over 1 million eBooks, Open Library has something for every reader. The website offers a seamless experience by providing options to borrow or download PDF files. Users simply need to create a free account to access this treasure trove of knowledge. Open Library also allows users to contribute by uploading and sharing their own PDF files, making it a collaborative platform for book enthusiasts. For those interested in academic resources, there are websites dedicated to providing free PDFs of research papers and scientific articles. One such website is Academia.edu, which allows researchers and scholars to share their work with a global audience. Users can download PDF files of research papers, theses, and dissertations covering a wide range of subjects. Academia.edu also provides a platform for discussions and networking within the academic community. When it comes to downloading Operational Amplifier Circuits free PDF files of magazines, brochures, and catalogs, Issuu is a popular choice. This digital publishing platform hosts a vast collection of publications from around the world. Users can search for specific titles or explore various categories and genres. Issuu offers a seamless reading experience with its user-friendly interface and allows users to download PDF files for offline reading. Apart from dedicated platforms, search engines also play a crucial role in finding free PDF files. Google, for instance, has an advanced search feature that allows users to filter results by file type. By specifying the file type as "PDF," users can find websites that

offer free PDF downloads on a specific topic. While downloading Operational Amplifier Circuits free PDF files is convenient, its important to note that copyright laws must be respected. Always ensure that the PDF files you download are legally available for free. Many authors and publishers voluntarily provide free PDF versions of their work, but its essential to be cautious and verify the authenticity of the source before downloading Operational Amplifier Circuits. In conclusion, the internet offers numerous platforms and websites that allow users to download free PDF files legally. Whether its classic literature, research papers, or magazines, there is something for everyone. The platforms mentioned in this article, such as Project Gutenberg, Open Library, Academia.edu, and Issuu, provide access to a vast collection of PDF files. However, users should always be cautious and verify the legality of the source before downloading Operational Amplifier Circuits any PDF files. With these platforms, the world of PDF downloads is just a click away.

### FAQs About Operational Amplifier Circuits Books

1. Where can I buy Operational Amplifier Circuits books? Bookstores: Physical bookstores like Barnes & Noble, Waterstones, and independent local stores. Online Retailers: Amazon, Book Depository, and various online bookstores offer a wide range of books in physical and digital formats.
2. What are the different book formats available? Hardcover: Sturdy and durable, usually more expensive. Paperback: Cheaper, lighter, and more portable than hardcovers. E-books: Digital books available for e-readers like Kindle or software like Apple Books, Kindle, and Google Play Books.
3. How do I choose a Operational Amplifier Circuits book to read? Genres: Consider the genre you enjoy (fiction, non-fiction, mystery, sci-fi, etc.). Recommendations: Ask friends, join book clubs, or explore online reviews and recommendations. Author: If you like a particular author, you might enjoy more of their work.
4. How do I take care of Operational Amplifier Circuits books? Storage: Keep them away from direct sunlight and in a dry environment. Handling: Avoid folding pages, use bookmarks, and handle them with clean hands. Cleaning: Gently dust the covers and pages occasionally.
5. Can I borrow books without buying them? Public Libraries: Local libraries offer a wide range of books for borrowing. Book Swaps: Community book exchanges or online platforms where people exchange books.
6. How can I track my reading progress or manage my book collection? Book Tracking Apps: Goodreads, LibraryThing, and Book Catalogue are popular apps for tracking your reading progress and managing book collections. Spreadsheets: You can create your own spreadsheet to track books read, ratings, and other details.

7. What are Operational Amplifier Circuits audiobooks, and where can I find them? Audiobooks: Audio recordings of books, perfect for listening while commuting or multitasking. Platforms: Audible, LibriVox, and Google Play Books offer a wide selection of audiobooks.
8. How do I support authors or the book industry? Buy Books: Purchase books from authors or independent bookstores. Reviews: Leave reviews on platforms like Goodreads or Amazon. Promotion: Share your favorite books on social media or recommend them to friends.
9. Are there book clubs or reading communities I can join? Local Clubs: Check for local book clubs in libraries or community centers. Online Communities: Platforms like Goodreads have virtual book clubs and discussion groups.
10. Can I read Operational Amplifier Circuits books for free? Public Domain Books: Many classic books are available for free as they're in the public domain. Free E-books: Some websites offer free e-books legally, like Project Gutenberg or Open Library.

### **Find Operational Amplifier Circuits :**

*simple pleasures from our maritime kitchens anecdotes history and recipes*

[singing games and singing fun elephants ser.](#)

[sincerely kari](#)

~~simulation and modeling of turbulent flows~~

~~sing the songs of rogers hammerstein~~

**simply painting around the world new bestseller from the international tv artist**

*simple bicycle repair and maintenance*

**simple checkmates**

[simple recipes menu planners](#)

*simply shellfish*

[single subject research strategies for evaluating change educational psychology](#)

[simply essential funeral planning kit](#)

*simultaneous time twin souls soul mates and parallel lives*

~~sing unto the lord a new song double chorus st sab tpt piano org~~

**simple living in a complex world a guide to balancing lifes achievements**

**Operational Amplifier Circuits :**

Test Packet: Andrea L. Anaya Book details ; Print length. 70 pages ; Language. English ; Publisher. Career Step ; Publication date. January 1, 2000. Test packet medical transcription home study Oct 22, 2023 — ... from fictions to scientific research in any way. among them is this test packet medical transcription home study that can be your partner. Reading free Test packet medical transcription home study ... May 20, 2023 — Yeah, reviewing a ebook test packet medical transcription home study could amass your near connections listings. MTSamples: Transcribed Medical Transcription Sample ... MTSamples.com is designed to give you access to a big collection of transcribed medical reports. These samples can be used by learning, as well as working ... MEDICAL TRANSCRIPTION ASSIGNMENT PACK 3.pdf Assignment Pack 3 Instructions for Quizzes 1.Be sure you've mastered the Lessons and Practice Exercises that this Quiz covers. 2.Mark your answers on the Quiz, ... Medical Transcription and Editing Quiz Medical Transcription and Editing Quiz. Home · Aptitude Quiz · Computer Skills · Grammar · Online Readiness. Grammar Test. Please choose the correct answer:. Online Medical Transcription Course | Self-Paced Program Online Medical Transcription Course | Self-Paced Program. 100% Online - Study at Home. Start your new career Today! Request Info or call 866.250.6851. Online Medical Transcription School Online Medical Transcription School. 100% Online - Study at Home with U.S. Career Institute. Contact U.S. Career Institute to start your new career Today! Become a Healthcare Documentation Specialist Step 1: Learn about the profession and the industry. Download and read our "About Medical Transcription" informational packet. This will provide you with a ... Medical Transcription Training Course | Meditec As a career, Medical transcription is one of the few legitimate career choices that allows you to work at home. An average MT with one year of experience earns ... Hibbeler - Mechanics of Materials 9th Edition c2014 txtbk ... Aug 24, 2022 — Hibbeler - Mechanics of Materials 9th Edition c2014 txtbk bookmarked.pdf - Download as a PDF or view online for free. Solutions Manual Mechanics of Materials 9th Edition by ... Jul 1, 2021 — STRUCTURAL ANALYSIS 9TH EDITION BY HIBBELER SOLUTIONS MANUAL ... Issuu converts static files into: digital portfolios, online yearbooks, online ... Mechanics of Materials (9th Edition) by Hibbeler, Russell C. This edition is available with MasteringEngineering, an innovative online program created to emulate the instructor's office-hour environment, guiding students ... Mechanics Of Materials 9th Edition Hibbeler Solutions ... Feb 19, 2019 — Mechanics©Of Materials 9th Edition Hibbeler Solutions Manual 2014 Pearson Education, Inc., Upper Saddle River, NJ. All rights reserved. Solution Manual for Mechanics of Materials 9th Edition by ... Solution Manual for Mechanics of Materials 9th Edition by Hibbeler. Course ... download full file at <http://testbankinstant.com>. full file at <http://test> ... Mechanics Of Materials 9th Edition Hibbeler Solutions ... Feb 19, 2019 — Mechanics Of Materials 9th Edition Hibbeler Solutions Manual - Download as a PDF or view online for free. Mechanics Of Materials Ninth Edition R.C. Hibbeler Nine ... Mechanics Of Materials Ninth Edition R.C. Hibbeler Nine Edition ; Quantity. 1 available ; Item Number. 402601570122 ; Format. Hardcover ; Language. English ... Mechanics of Materials by Hibbeler,

Russell Mechanics of Materials clearly and thoroughly presents the theory and supports the application of essential mechanics of materials principles. Solution Manual of Mechanics of materials by Hibbeler ... Sep 20, 2023 — In Chapter 9 of download free solution manual of Mechanics of materials by Hibbeler tenth (10th ) edition + SI units Solutions book in pdf ... Mechanics Of Materials Solution Manual 10th Edition. Author: Russell C Hibbeler. 1663 solutions available. Textbook Solutions for Mechanics of Materials. by. 9th Edition. Author: Russell C Hibbeler. daycare profit and loss statement template Complete non-shaded fields, only. 9, INCOME. 10, TUITION INCOME. DAYCARE PROFIT AND LOSS STATEMENT TEMPLATE DAYCARE. PROFIT AND LOSS. STATEMENT TEMPLATE. Template begins on page 2. Page 2. ORGANIZATION NAME. START DATE. END DATE. REFERENCE ID. NO. ENROLLED. MONTHLY ... daycare profit and loss statement - PDFfiller A daycare profit and loss statement should include information about total revenue, cost of goods sold, operating expenses, employee wages and benefits, taxes, ... Daycare Profit And Loss Statement Template - Iranianstudy Feb 22, 2023 - Daycare profit and loss statement template - A statement is a created or spoken declaration of fact or opinion. How to Create a Profit/Loss Statement - Tom Copeland Mar 28, 2017 — What is a Profit/Loss Statement and how can a family child care provider make use of one? A Profit/Loss Statement is a financial statement ... Daycare profit and loss template: Fill out & sign online Edit, sign, and share daycare profit and loss statement online. No need to install software, just go to DocHub, and sign up instantly and for free. How to Calculate Profit & Loss for Home Daycare - Sapling A P&L Statement is a list of your income and expenses, broken down into categories that show you where your money is coming from and what type of expenses you ... Daycare Profit and Loss Template Form - Fill Out and Sign ... In Home Daycare Tax Deduction Worksheet. Check out how easy it is to complete and eSign documents online using fillable templates and a powerful editor. DAY CARE INCOME and EXPENSE WORKSHEET AUTO EXPENSE: Keep records of mileage for Day Care meetings, shopping trips for supplies, banking, education, taking children home, to doctor or to events. FOOD.