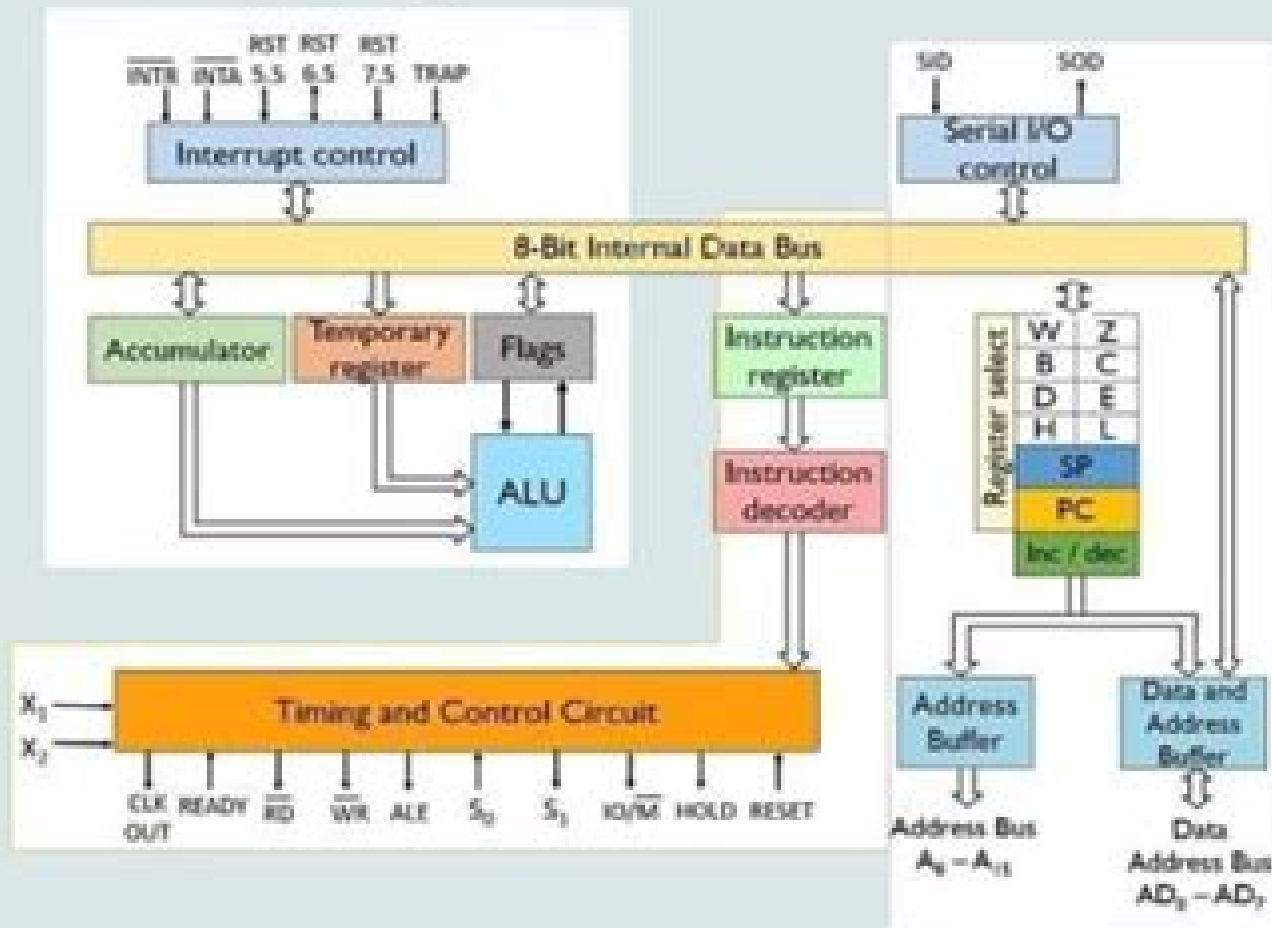


Block Diagram of 8085 Microprocessor



Microprocessors And Microcomputers Hardware And Software Of The 8085

Arturo Cuomo



Microprocessors And Microcomputers Hardware And Software Of The 8085:

Decoding **Microprocessors And Microcomputers Hardware And Software Of The 8085**: Revealing the Captivating Potential of Verbal Expression

In a time characterized by interconnectedness and an insatiable thirst for knowledge, the captivating potential of verbal expression has emerged as a formidable force. Its ability to evoke sentiments, stimulate introspection, and incite profound transformations is genuinely awe-inspiring. Within the pages of "**Microprocessors And Microcomputers Hardware And Software Of The 8085**," a mesmerizing literary creation penned by a celebrated wordsmith, readers attempt an enlightening odyssey, unraveling the intricate significance of language and its enduring affect our lives. In this appraisal, we shall explore the book's central themes, evaluate its distinctive writing style, and gauge its pervasive influence on the hearts and minds of its readership.

https://www.staging.gilderlehrman.org/results/detail/HomePages/Affordable_Way_To_Use_AI_For_YouTube_Automation_Organically_BATCH39_613.pdf

Table of Contents Microprocessors And Microcomputers Hardware And Software Of The 8085

1. Understanding the eBook Microprocessors And Microcomputers Hardware And Software Of The 8085
 - The Rise of Digital Reading Microprocessors And Microcomputers Hardware And Software Of The 8085
 - Advantages of eBooks Over Traditional Books
2. Identifying Microprocessors And Microcomputers Hardware And Software Of The 8085
 - Exploring Different Genres
 - Considering Fiction vs. Non-Fiction
 - Determining Your Reading Goals
3. Choosing the Right eBook Platform
 - Popular eBook Platforms
 - Features to Look for in an Microprocessors And Microcomputers Hardware And Software Of The 8085
 - User-Friendly Interface
4. Exploring eBook Recommendations from Microprocessors And Microcomputers Hardware And Software Of The 8085

- Personalized Recommendations
 - Microprocessors And Microcomputers Hardware And Software Of The 8085 User Reviews and Ratings
 - Microprocessors And Microcomputers Hardware And Software Of The 8085 and Bestseller Lists
5. Accessing Microprocessors And Microcomputers Hardware And Software Of The 8085 Free and Paid eBooks
 - Microprocessors And Microcomputers Hardware And Software Of The 8085 Public Domain eBooks
 - Microprocessors And Microcomputers Hardware And Software Of The 8085 eBook Subscription Services
 - Microprocessors And Microcomputers Hardware And Software Of The 8085 Budget-Friendly Options
 6. Navigating Microprocessors And Microcomputers Hardware And Software Of The 8085 eBook Formats
 - ePub, PDF, MOBI, and More
 - Microprocessors And Microcomputers Hardware And Software Of The 8085 Compatibility with Devices
 - Microprocessors And Microcomputers Hardware And Software Of The 8085 Enhanced eBook Features
 7. Enhancing Your Reading Experience
 - Adjustable Fonts and Text Sizes of Microprocessors And Microcomputers Hardware And Software Of The 8085
 - Highlighting and Note-Taking Microprocessors And Microcomputers Hardware And Software Of The 8085
 - Interactive Elements Microprocessors And Microcomputers Hardware And Software Of The 8085
 8. Staying Engaged with Microprocessors And Microcomputers Hardware And Software Of The 8085
 - Joining Online Reading Communities
 - Participating in Virtual Book Clubs
 - Following Authors and Publishers Microprocessors And Microcomputers Hardware And Software Of The 8085
 9. Balancing eBooks and Physical Books Microprocessors And Microcomputers Hardware And Software Of The 8085
 - Benefits of a Digital Library
 - Creating a Diverse Reading Collection Microprocessors And Microcomputers Hardware And Software Of The 8085
 10. Overcoming Reading Challenges
 - Dealing with Digital Eye Strain
 - Minimizing Distractions
 - Managing Screen Time
 11. Cultivating a Reading Routine Microprocessors And Microcomputers Hardware And Software Of The 8085
 - Setting Reading Goals Microprocessors And Microcomputers Hardware And Software Of The 8085
 - Carving Out Dedicated Reading Time

12. Sourcing Reliable Information of Microprocessors And Microcomputers Hardware And Software Of The 8085
 - Fact-Checking eBook Content of Microprocessors And Microcomputers Hardware And Software Of The 8085
 - Distinguishing Credible Sources
13. Promoting Lifelong Learning
 - Utilizing eBooks for Skill Development
 - Exploring Educational eBooks
14. Embracing eBook Trends
 - Integration of Multimedia Elements
 - Interactive and Gamified eBooks

Microprocessors And Microcomputers Hardware And Software Of The 8085 Introduction

In today's digital age, the availability of Microprocessors And Microcomputers Hardware And Software Of The 8085 books and manuals for download has revolutionized the way we access information. Gone are the days of physically flipping through pages and carrying heavy textbooks or manuals. With just a few clicks, we can now access a wealth of knowledge from the comfort of our own homes or on the go. This article will explore the advantages of Microprocessors And Microcomputers Hardware And Software Of The 8085 books and manuals for download, along with some popular platforms that offer these resources. One of the significant advantages of Microprocessors And Microcomputers Hardware And Software Of The 8085 books and manuals for download is the cost-saving aspect. Traditional books and manuals can be costly, especially if you need to purchase several of them for educational or professional purposes. By accessing Microprocessors And Microcomputers Hardware And Software Of The 8085 versions, you eliminate the need to spend money on physical copies. This not only saves you money but also reduces the environmental impact associated with book production and transportation. Furthermore, Microprocessors And Microcomputers Hardware And Software Of The 8085 books and manuals for download are incredibly convenient. With just a computer or smartphone and an internet connection, you can access a vast library of resources on any subject imaginable. Whether you're a student looking for textbooks, a professional seeking industry-specific manuals, or someone interested in self-improvement, these digital resources provide an efficient and accessible means of acquiring knowledge. Moreover, PDF books and manuals offer a range of benefits compared to other digital formats. PDF files are designed to retain their formatting regardless of the device used to open them. This ensures that the content appears exactly as intended by the author, with no loss of formatting or missing graphics. Additionally, PDF files can be easily annotated, bookmarked, and searched for specific terms, making them highly practical for studying or referencing. When it comes to accessing Microprocessors And Microcomputers Hardware And Software Of The 8085 books

and manuals, several platforms offer an extensive collection of resources. One such platform is Project Gutenberg, a nonprofit organization that provides over 60,000 free eBooks. These books are primarily in the public domain, meaning they can be freely distributed and downloaded. Project Gutenberg offers a wide range of classic literature, making it an excellent resource for literature enthusiasts. Another popular platform for Microprocessors And Microcomputers Hardware And Software Of The 8085 books and manuals is Open Library. Open Library is an initiative of the Internet Archive, a non-profit organization dedicated to digitizing cultural artifacts and making them accessible to the public. Open Library hosts millions of books, including both public domain works and contemporary titles. It also allows users to borrow digital copies of certain books for a limited period, similar to a library lending system. Additionally, many universities and educational institutions have their own digital libraries that provide free access to PDF books and manuals. These libraries often offer academic texts, research papers, and technical manuals, making them invaluable resources for students and researchers. Some notable examples include MIT OpenCourseWare, which offers free access to course materials from the Massachusetts Institute of Technology, and the Digital Public Library of America, which provides a vast collection of digitized books and historical documents. In conclusion, Microprocessors And Microcomputers Hardware And Software Of The 8085 books and manuals for download have transformed the way we access information. They provide a cost-effective and convenient means of acquiring knowledge, offering the ability to access a vast library of resources at our fingertips. With platforms like Project Gutenberg, Open Library, and various digital libraries offered by educational institutions, we have access to an ever-expanding collection of books and manuals. Whether for educational, professional, or personal purposes, these digital resources serve as valuable tools for continuous learning and self-improvement. So why not take advantage of the vast world of Microprocessors And Microcomputers Hardware And Software Of The 8085 books and manuals for download and embark on your journey of knowledge?

FAQs About Microprocessors And Microcomputers Hardware And Software Of The 8085 Books

How do I know which eBook platform is the best for me? Finding the best eBook platform depends on your reading preferences and device compatibility. Research different platforms, read user reviews, and explore their features before making a choice. Are free eBooks of good quality? Yes, many reputable platforms offer high-quality free eBooks, including classics and public domain works. However, make sure to verify the source to ensure the eBook credibility. Can I read eBooks without an eReader? Absolutely! Most eBook platforms offer web-based readers or mobile apps that allow you to read eBooks on your computer, tablet, or smartphone. How do I avoid digital eye strain while reading eBooks? To prevent digital eye strain, take regular breaks, adjust the font size and background color, and ensure proper lighting while reading eBooks.

What the advantage of interactive eBooks? Interactive eBooks incorporate multimedia elements, quizzes, and activities, enhancing the reader engagement and providing a more immersive learning experience. Microprocessors And Microcomputers Hardware And Software Of The 8085 is one of the best book in our library for free trial. We provide copy of Microprocessors And Microcomputers Hardware And Software Of The 8085 in digital format, so the resources that you find are reliable. There are also many Ebooks of related with Microprocessors And Microcomputers Hardware And Software Of The 8085. Where to download Microprocessors And Microcomputers Hardware And Software Of The 8085 online for free? Are you looking for Microprocessors And Microcomputers Hardware And Software Of The 8085 PDF? This is definitely going to save you time and cash in something you should think about.

Find Microprocessors And Microcomputers Hardware And Software Of The 8085 :

affordable way to use AI for YouTube automation organically BATCH39-613

best way to start AI side hustle for beginners BATCH39-1354

affordable way to automate customer service with AI with free tools BATCH39-2223

affordable way to create digital products with AI that actually works BATCH39-950

best way to use AI for local SEO without paid ads BATCH39-900

easy method to launch AI agency step by step BATCH39-1161

proven strategy to use AI for blogging step by step BATCH39-1418

easy method to grow email list using AI for beginners BATCH39-330

best way to sell AI generated art in 2026 BATCH39-62

best way to build website using AI in the United States BATCH39-2459

easy method to use AI for lead generation for beginners BATCH39-1106

proven strategy to make money with AI tools in the United States BATCH39-2412

easy method to optimize website content using AI step by step BATCH39-1810

how to use AI for blogging with free tools BATCH39-109

step by step guide to make money with AI tools step by step BATCH39-2068

Microprocessors And Microcomputers Hardware And Software Of The 8085 :

eiffel tower all you need to know before you go with photos - Feb 07 2023

web la tour eiffel is clearly the most photogenic man made structure in the whole world i recommend taking a tour that

circles around it and photographing it from many angles both day and night it s beautiful at any angle with any level of light i don t know if going up in it is worth the trouble given the security and the crowding

the eiffel tower all there is to know official website - Apr 09 2023

web an object of discord desire and fascination the eiffel tower never fails to impress enriched by a history full of new developments here you can discover all of its key information origins and construction of the eiffel tower

tour eiffel wikipédia - Jun 11 2023

web la hauteur de la tour a été plusieurs fois augmentée par l installation d un drapeau puis de nombreuses notamment en 1991 1994 2000 et 2022 utilisée dans le passé pour de nombreuses expériences scientifiques elle sert aujourd hui d arrondissement de paris situant la tour eiffel et le

eiffel tower wikipedia - Sep 14 2023

web the eiffel tower ' ai f əl eye fəl french tour eiffel tuʁ ɛfɛl is a wrought iron lattice tower on the champ de mars in paris france it is named after the engineer gustave eiffel whose company designed and built the tower from 1887 to 1889

the official eiffel tower website tickets news info - Oct 15 2023

web oct 30 2023 all the news on the eiffel tower discover or visit the tower buy a ticket 10 5 to 26 10 maximum for adults and 2 6 to 13 10 for children and young people news and practical information

eiffel tower purchase a ticket official ticket office - Jul 12 2023

web the eiffel tower s online box office allows you to purchase your ticket online for the 2nd floor or the summit at the official rate you can purchase individual e tickets for up to 9 people tickets can also be purchased several weeks in advance with the e ticket system experience no lines

eiffel tower history height facts britannica - Mar 08 2023

web eiffel tower parisian landmark that is also a technological masterpiece in building construction history the tower itself is 300 meters 984 feet high it rests on a base that is 5 meters 17 feet high and a television antenna atop the tower gives it a total elevation of 330 meters 1 083 feet

ticket prices and opening times official eiffel tower website - Aug 13 2023

web a comprehensive and smooth tour of all the floors of the eiffel tower accompanied by an official eiffel tower guide explore personalized visit 100 tailor made

official eiffel tower tour guide for your mobile - Jan 06 2023

web our tour guide will introduce you to one of the most fabulous monuments ever built by man free all the information you need to make the most of your visit to the eiffel tower history key figures maps cultural information eating and drinking places shops etc

la tour eiffel site officiel billets infos actualité - May 10 2023

web des jeux concours des photos exclusives toute l'actualité de la tour eiffel découvrir ou visiter la tour acheter un billet 10 5 à 26 10 maximum pour les adultes et 2 6 à 13 10 pour les enfants et les jeunes actualités et infos pratiques

autogenes training mit cd gu multimedia korper ge pdf irbrora - Apr 28 2023

web autogenes training mit cd gu multimedia korper ge pdf is available in our digital library an online access to it is set as public so you can get it instantly our book servers spans in multiple countries allowing you to get the most less latency time to download any of our books like this one

autogenes training mit cd gu multimedia korper ge pdf - Feb 24 2023

web autogenes training mit cd gu multimedia korper ge pdf recognizing the showing off ways to get this book autogenes training mit cd gu multimedia korper ge pdf is additionally useful you have remained in right site to start getting this info get the autogenes training mit cd gu multimedia korper ge pdf join that we provide here

autogenes training mit cd gu multimedia korper ge pdf - Aug 21 2022

web jan 18 2023 training mit cd gu multimedia korper ge but end up in malicious downloads rather than enjoying a good book with a cup of coffee in the afternoon instead they are facing with some malicious virus inside their laptop autogenes training mit cd gu multimedia korper ge is available in our digital library an online access to it

autogenes training mit cd gu multimedia korper ge copy - Apr 16 2022

web mar 30 2023 autogenes training mit cd gu multimedia korper ge 2 8 downloaded from uniport edu ng on march 30 2023 by guest er dabei immer wieder fest es ist nicht allein sein fachwissen das ihn diese kämpfe hat gewinnen lassen sondern eine ganz bestimmte art zu denken und zu handeln das david konzept dieses

autogenes training mit cd gu multimedia korper ge pdf - Nov 23 2022

web jun 1 2023 autogenes training mit cd gu multimedia korper ge 2 10 downloaded from uniport edu ng on june 1 2023 by guest templates for action in addition chapters answer key how questions on practical implementation as well as the whys providing rationales for mental health promotion and identifying the key factors and underlying

autogenes training mit cd gu multimedia körper geist seele - Sep 02 2023

web autogenes training mit cd gu multimedia körper geist seele grasberger dr med delia isbn 9783774255715 kostenloser versand für alle bücher mit versand und verkauf durch amazon

autogenes training mit cd gu entspannung amazon de - Oct 03 2023

web autogenes training mit cd gu entspannung grasberger delia isbn 9783833845697 kostenloser versand für alle bücher mit versand und verkauf durch amazon

autogenes training mit cd gu multimedia korper ge pdf graph - Feb 12 2022

web autogenes training mit cd gu multimedia korper ge evidence based chronic pain management deutsche nationalbibliographie und bibliographie der im ausland erschienenen deutschsprachigen veroeffentlichungen

autogenes training mit cd gu multimedia korper geist seele by - May 18 2022

web sep 13 2023 autogenes training mit kostenloser pdf anleitung pdf detox mit yoga mit cd korper und geist von ballast

autogenes training cd hørprobe folge deiner leidenschaft b665d2a2 autogenes training mit cd gu multimedia korper

autogenes training das basisprogramm gu multimedia

cd test tauber zeitung autogenes training - Oct 23 2022

web feb 28 2009 cd test tauber zeitung autogenes training muskelentspannung meditative entspannung zum kennenlernen

weniger stress cd test selbsterfahrungsbericht getestet wurde die audio cd autogenes training muskelentspannung

meditative entspannung zum kennenlernen c tauber zeitung

autogenes training mit cd gu multimedia korper ge - Jul 20 2022

web mar 31 2023 autogenes training mit cd gu multimedia korper ge recognizing the mannerism ways to acquire this books

autogenes training mit cd gu multimedia korper ge is additionally useful you have remained in right site to start getting this

info get the autogenes training mit cd gu multimedia korper ge member that we manage to pay

autogenes training mit cd dr med delia grasberger gu - Aug 01 2023

web sep 6 2014 beschreibung das autogene training ist eine der bekanntesten entspannungsmethoden mit selbsthypnose

können sie innere heilungsprozesse und die persönliche weiterentwicklung in gang setzen einfach zu erlernen und überall

einsetzbar entfaltet das autogene training bereits in den ersten Übungsstunden seine wirkung

autogenes training mit cd gu multimedia korper ge book - Mar 28 2023

web autogenes training mit cd gu multimedia korper ge cross linguistic corpora for the study of translations mar 21 2021 the

book specifies a corpus architecture including annotation and querying techniques and its implementation the corpus

architecture is developed for empirical studies of translations and beyond

autogenes training das basisprogramm gu multimedia - May 30 2023

web autogenes training das basisprogramm gu multimedia korper geist seele kindle ausgabe von dr med delia grasberger

autor format kindle ausgabe 4 2 5 sternebewertungen teil von gu multimedia korper geist seele 60 bücher alle formate und

editionen anzeigen kindle

autogenes training cd passende angebote weltbild - Jan 26 2023

web autogenes training mit cd delia grasberger buch 24 99 autogenes training zum einschlafen torsten abrolat franziska

diesmann hörbuch download 7 49 autogenes training zum einschlafen für kinder mit den schönsten traumreisen sanft und

behutsam einschlafen und ruhig durchschlafen inkl gratis audio dateien zum download

autogenes training mit cd gu multimedia korper geist seele nice - Jun 30 2023

web detail book title autogenes training mit cd gu multimedia korper geist seele format pdf kindle epub language english
asin 3833845694 paperback 261 p

autogenes training mp3 finden sie bei uns - Mar 16 2022

web im nachgang gibt es dann autogenes training mit mp3 cd oder dvd um das gelernte auch langfristig anwenden zu können ein weiterer bereich ist das bildungswesen hierbei stellt autogenes training in form von mp3 eine gute entspannung für schüler dar die somit ihre konzentration gezielt steigern können weitere interessante seiten

autogenes training 1 audio cd hörbuch von minddrops weltbild - Dec 25 2022

web jetzt das hörbuch autogenes training 1 audio cd von minddrops bequem einfach online kaufen jetzt das hörbuch autogenes training 1 audio cd von minddrops bequem einfach online kaufen zusätzliche downloads sehr praktisch mit dem kauf dieser cd erhalten sie kostenfrei zugang zu unserem download bereich dort

autogenes training mit cd gu multimedia korper ge - Jun 18 2022

web now is autogenes training mit cd gu multimedia korper ge below the beggar king oliver pötzsch 2013 after the hangman jakob kuisl is framed for his sister s murder his daughter magdalena and her paramour simon enlist the help of a network of beggars in order to save him from the noose experiments in ethics kwame anthony appiah 2010

autogenes training mit cd gu multimedia korper ge pdf ftp - Sep 21 2022

web autogenes training mit cd gräfe und unzer durch anspannung zur entspannung das scheinbar widersprüchliche motto der progressiven muskelentspannung nach jacobson hält was es verspricht

soignez vos problas mes d argent pdf - May 01 2022

web soignez vos problas mes d argent soignez vos problas mes d argent 2 downloaded from klantenhandboek dutchgiraffe com on 2023 04 27 by guest est complet et parfait même pour les débutants dans le monde de l astrologie ce livre comprend également un aperçu mensuel de votre vie amoureuse de votre argent de votre carrière de vos voyages de

je gagne 3 les ordonnances 1 pensez gérez gagnez - Jul 03 2022

web daniel sévigny song 2011

soignez vos problèmes d argent etablissez une relation apaisée - Jan 09 2023

web soignez vos problèmes d argent etablissez une relation apaisée avec votre argent pour augmenter vos revenus maitriser vos dépenses et sécuriser votre avenir livres audio audible version intégrale philippe geffroy auteur Frédéric Kneip narrateur 1 plus 3 9 34 évaluations

soignez vos problas mes d argent pdf old vulkk - Jun 02 2022

web 4 soignez vos problas mes d argent 2021 09 04 moral sur leur lieu de travail c est à dire d avoir été l objet de conduites

web soignez vos probl mes d argent soignez vos probl mes d argent 1 downloaded from donate pfi org on 2021 01 21 by guest soignez vos probl mes d argent yeah reviewing a books soignez vos probl mes d argent could mount up your close connections listings this is just one of the solutions for you to be successful as

définition je vous dois de l argent dictionnaire français reverso - Aug 04 2022

web formules faussement courtoises pour interrompre contredire se frayer un chemin s il vous plaît adv formule de politesse exprimant une demande une exigence je vous prie adv dans les formules de politesse sert pour atténuer renforcer nuancer une demande je

définition vous me devez de l argent dictionnaire français - Dec 28 2021

web formules faussement courtoises pour interrompre contredire se frayer un chemin s il vous plaît adv formule de politesse exprimant une demande une exigence je vous prie adv dans les formules de politesse sert pour atténuer renforcer nuancer une demande je

soignez vos problèmes d argent broché 8 octobre 2009 - Aug 16 2023

web il n y a pas d éducation au maniement d argent chacun apprend par son expérience et celle ci est très influencée par des croyances et des émotions très pénalisantes cela se traduit par des incapacités à gagner de l argent à bien le dépenser ou à le faire fructifier

soignez vos problèmes d argent philippe geffroy esprit riche - May 13 2023

web may 31 2010 l argent est en fait la liberté de choisir en toute sécurité et ne pas s y intéresser c est ne pas s intéresser à sa vie le livre est découpé en 4 parties qui s enchainent avec une logique implacable les fondations

soignez vos probl mes d argent pdf - Oct 06 2022

web soignez vos probl mes d argent soignez vos probl mes d argent 2 downloaded from old restorativejustice org on 2021 07 25 by guest soignez vos problèmes d argent une méthode de philippe web oct 8 2009 je vais vous expliquer comment r établir une relation sereine et apaisée avec l argent qui va vous permettre d augmenter vos revenus

soignez vos problèmes d argent fnac - Jul 15 2023

web résumé il n y a pas d éducation au maniement d argent chacun apprend par son expérience et celle ci est très influencée par des croyances et des émotions très pénalisantes cela se traduit par des incapacités à gagner de l argent à bien le dépenser ou à le faire fructifier

soignez vos probl mes d argent wanda buckner pdf - Jun 14 2023

web soignez vos probl mes d argent soignez vos probl mes d argent 3 downloaded from rjonline org on 2022 01 28 by guest centres d apprentissage des ouvriers des clubs pour jeunes mais elle a surtout créé à travers le monde une fantastique chaîne d amitié avoir la vie de ses rêves arnaud gérard 2017 01 19

