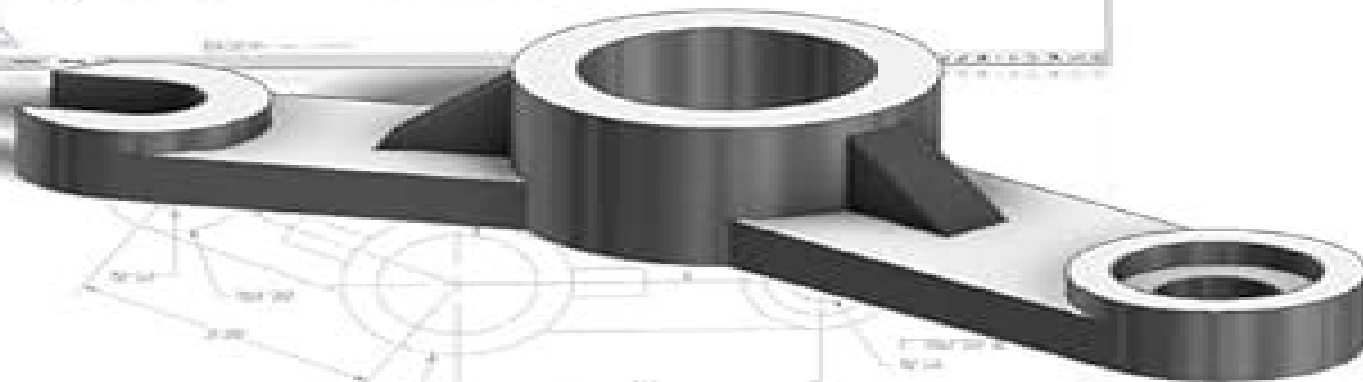
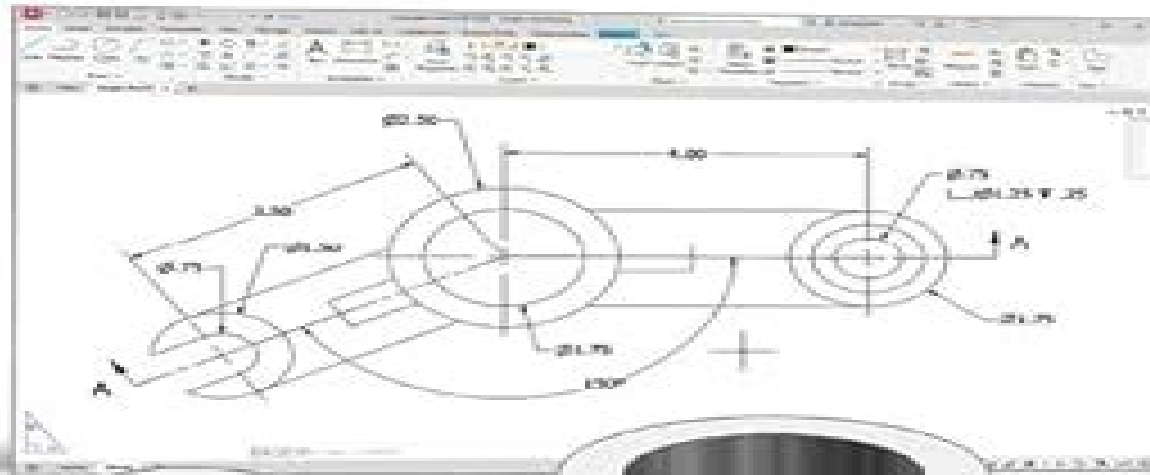


Principles and Practice

An Integrated Approach to
Engineering Graphics and AutoCAD 2025



Randy H. Shih

Practice Of Engineering Management A New Approach

G Orfield



Practice Of Engineering Management A New Approach:

This Enthralling Realm of Kindle Books: A Comprehensive Guide Revealing the Advantages of E-book Books: A World of Convenience and Versatility E-book books, with their inherent portability and ease of availability, have freed readers from the limitations of physical books. Gone are the days of carrying bulky novels or carefully searching for specific titles in bookstores. Kindle devices, stylish and lightweight, effortlessly store an wide library of books, allowing readers to immerse in their preferred reads anytime, everywhere. Whether commuting on a bustling train, lounging on a sun-kissed beach, or simply cozying up in bed, E-book books provide an unparalleled level of convenience. A Literary World Unfolded: Discovering the Wide Array of Kindle Practice Of Engineering Management A New Approach Practice Of Engineering Management A New Approach The Kindle Shop, a digital treasure trove of literary gems, boasts an extensive collection of books spanning varied genres, catering to every readers preference and preference. From gripping fiction and mind-stimulating non-fiction to classic classics and contemporary bestsellers, the Kindle Store offers an exceptional variety of titles to explore. Whether looking for escape through immersive tales of imagination and exploration, delving into the depths of historical narratives, or broadening ones knowledge with insightful works of science and philosophy, the Kindle Store provides a doorway to a bookish world brimming with limitless possibilities. A Revolutionary Force in the Literary Landscape: The Persistent Impact of Kindle Books Practice Of Engineering Management A New Approach The advent of E-book books has certainly reshaped the bookish scene, introducing a model shift in the way books are released, disseminated, and consumed. Traditional publication houses have embraced the online revolution, adapting their strategies to accommodate the growing demand for e-books. This has led to a rise in the availability of Kindle titles, ensuring that readers have entry to a wide array of literary works at their fingertips. Moreover, Kindle books have equalized access to literature, breaking down geographical limits and offering readers worldwide with equal opportunities to engage with the written word. Irrespective of their location or socioeconomic background, individuals can now immerse themselves in the intriguing world of literature, fostering a global community of readers. Conclusion: Embracing the E-book Experience Practice Of Engineering Management A New Approach E-book books Practice Of Engineering Management A New Approach, with their inherent convenience, flexibility, and vast array of titles, have certainly transformed the way we encounter literature. They offer readers the freedom to explore the limitless realm of written expression, anytime, everywhere. As we continue to travel the ever-evolving digital landscape, Kindle books stand as testament to the lasting power of storytelling, ensuring that the joy of reading remains reachable to all.

https://www.staging.gilderlehrman.org/files/browse/Documents/recognition_responsibility_and_rights.pdf

Table of Contents Practice Of Engineering Management A New Approach

1. Understanding the eBook Practice Of Engineering Management A New Approach
 - The Rise of Digital Reading Practice Of Engineering Management A New Approach
 - Advantages of eBooks Over Traditional Books
2. Identifying Practice Of Engineering Management A New Approach
 - Exploring Different Genres
 - Considering Fiction vs. Non-Fiction
 - Determining Your Reading Goals
3. Choosing the Right eBook Platform
 - Popular eBook Platforms
 - Features to Look for in an Practice Of Engineering Management A New Approach
 - User-Friendly Interface
4. Exploring eBook Recommendations from Practice Of Engineering Management A New Approach
 - Personalized Recommendations
 - Practice Of Engineering Management A New Approach User Reviews and Ratings
 - Practice Of Engineering Management A New Approach and Bestseller Lists
5. Accessing Practice Of Engineering Management A New Approach Free and Paid eBooks
 - Practice Of Engineering Management A New Approach Public Domain eBooks
 - Practice Of Engineering Management A New Approach eBook Subscription Services
 - Practice Of Engineering Management A New Approach Budget-Friendly Options
6. Navigating Practice Of Engineering Management A New Approach eBook Formats
 - ePub, PDF, MOBI, and More
 - Practice Of Engineering Management A New Approach Compatibility with Devices
 - Practice Of Engineering Management A New Approach Enhanced eBook Features
7. Enhancing Your Reading Experience
 - Adjustable Fonts and Text Sizes of Practice Of Engineering Management A New Approach
 - Highlighting and Note-Taking Practice Of Engineering Management A New Approach
 - Interactive Elements Practice Of Engineering Management A New Approach
8. Staying Engaged with Practice Of Engineering Management A New Approach

- Joining Online Reading Communities
 - Participating in Virtual Book Clubs
 - Following Authors and Publishers Practice Of Engineering Management A New Approach
9. Balancing eBooks and Physical Books Practice Of Engineering Management A New Approach
- Benefits of a Digital Library
 - Creating a Diverse Reading Collection Practice Of Engineering Management A New Approach
10. Overcoming Reading Challenges
- Dealing with Digital Eye Strain
 - Minimizing Distractions
 - Managing Screen Time
11. Cultivating a Reading Routine Practice Of Engineering Management A New Approach
- Setting Reading Goals Practice Of Engineering Management A New Approach
 - Carving Out Dedicated Reading Time
12. Sourcing Reliable Information of Practice Of Engineering Management A New Approach
- Fact-Checking eBook Content of Practice Of Engineering Management A New Approach
 - Distinguishing Credible Sources
13. Promoting Lifelong Learning
- Utilizing eBooks for Skill Development
 - Exploring Educational eBooks
14. Embracing eBook Trends
- Integration of Multimedia Elements
 - Interactive and Gamified eBooks

Practice Of Engineering Management A New Approach Introduction

In the digital age, access to information has become easier than ever before. The ability to download Practice Of Engineering Management A New Approach has revolutionized the way we consume written content. Whether you are a student looking for course material, an avid reader searching for your next favorite book, or a professional seeking research papers, the option to download Practice Of Engineering Management A New Approach has opened up a world of possibilities. Downloading Practice Of Engineering Management A New Approach provides numerous advantages over physical copies of books and documents. Firstly, it is incredibly convenient. Gone are the days of carrying around heavy textbooks or bulky

folders filled with papers. With the click of a button, you can gain immediate access to valuable resources on any device. This convenience allows for efficient studying, researching, and reading on the go. Moreover, the cost-effective nature of downloading Practice Of Engineering Management A New Approach has democratized knowledge. Traditional books and academic journals can be expensive, making it difficult for individuals with limited financial resources to access information. By offering free PDF downloads, publishers and authors are enabling a wider audience to benefit from their work. This inclusivity promotes equal opportunities for learning and personal growth. There are numerous websites and platforms where individuals can download Practice Of Engineering Management A New Approach. These websites range from academic databases offering research papers and journals to online libraries with an expansive collection of books from various genres. Many authors and publishers also upload their work to specific websites, granting readers access to their content without any charge. These platforms not only provide access to existing literature but also serve as an excellent platform for undiscovered authors to share their work with the world. However, it is essential to be cautious while downloading Practice Of Engineering Management A New Approach. Some websites may offer pirated or illegally obtained copies of copyrighted material. Engaging in such activities not only violates copyright laws but also undermines the efforts of authors, publishers, and researchers. To ensure ethical downloading, it is advisable to utilize reputable websites that prioritize the legal distribution of content. When downloading Practice Of Engineering Management A New Approach, users should also consider the potential security risks associated with online platforms. Malicious actors may exploit vulnerabilities in unprotected websites to distribute malware or steal personal information. To protect themselves, individuals should ensure their devices have reliable antivirus software installed and validate the legitimacy of the websites they are downloading from. In conclusion, the ability to download Practice Of Engineering Management A New Approach has transformed the way we access information. With the convenience, cost-effectiveness, and accessibility it offers, free PDF downloads have become a popular choice for students, researchers, and book lovers worldwide. However, it is crucial to engage in ethical downloading practices and prioritize personal security when utilizing online platforms. By doing so, individuals can make the most of the vast array of free PDF resources available and embark on a journey of continuous learning and intellectual growth.

FAQs About Practice Of Engineering Management A New Approach Books

What is a Practice Of Engineering Management A New Approach PDF? A PDF (Portable Document Format) is a file format developed by Adobe that preserves the layout and formatting of a document, regardless of the software, hardware, or operating system used to view or print it. **How do I create a Practice Of Engineering Management A New Approach PDF?** There are several ways to create a PDF: Use software like Adobe Acrobat, Microsoft Word, or Google Docs, which often

have built-in PDF creation tools. Print to PDF: Many applications and operating systems have a "Print to PDF" option that allows you to save a document as a PDF file instead of printing it on paper. Online converters: There are various online tools that can convert different file types to PDF. **How do I edit a Practice Of Engineering Management A New Approach PDF?** Editing a PDF can be done with software like Adobe Acrobat, which allows direct editing of text, images, and other elements within the PDF. Some free tools, like PDFescape or Smallpdf, also offer basic editing capabilities. **How do I convert a Practice Of Engineering Management A New Approach PDF to another file format?** There are multiple ways to convert a PDF to another format: Use online converters like Smallpdf, Zamzar, or Adobe Acrobats export feature to convert PDFs to formats like Word, Excel, JPEG, etc. Software like Adobe Acrobat, Microsoft Word, or other PDF editors may have options to export or save PDFs in different formats. **How do I password-protect a Practice Of Engineering Management A New Approach PDF?** Most PDF editing software allows you to add password protection. In Adobe Acrobat, for instance, you can go to "File" -> "Properties" -> "Security" to set a password to restrict access or editing capabilities. Are there any free alternatives to Adobe Acrobat for working with PDFs? Yes, there are many free alternatives for working with PDFs, such as: LibreOffice: Offers PDF editing features. PDFsam: Allows splitting, merging, and editing PDFs. Foxit Reader: Provides basic PDF viewing and editing capabilities. How do I compress a PDF file? You can use online tools like Smallpdf, ILovePDF, or desktop software like Adobe Acrobat to compress PDF files without significant quality loss. Compression reduces the file size, making it easier to share and download. Can I fill out forms in a PDF file? Yes, most PDF viewers/editors like Adobe Acrobat, Preview (on Mac), or various online tools allow you to fill out forms in PDF files by selecting text fields and entering information. Are there any restrictions when working with PDFs? Some PDFs might have restrictions set by their creator, such as password protection, editing restrictions, or print restrictions. Breaking these restrictions might require specific software or tools, which may or may not be legal depending on the circumstances and local laws.

Find Practice Of Engineering Management A New Approach :

[recognition responsibility and rights](#)

[records of roman history 2vol](#)

[reconstruction of the knee joint](#)

[red decade the stalinist penetration](#)

[reckless deception](#)

[red couch a portrait of america](#)

[records of the life of the venerable master hsuan hua vol 2](#)

[reclaiming dietrich bonhoeffer](#)

record teachers edition laboratory investigations in chemistry

recommendations on the transport of dangerous goods model regulations

reconciliation after violent conflict a handbook

~~red is the color~~

reconsidering riley

red headed woman

recuperemos terreno perdido

Practice Of Engineering Management A New Approach :

Experience Psychology 2nd ed by Laura A. King A good introduction to psychology. I wish it had been a bit more I depth in some sections, like body language, facial expression and emotion; but overall it was ... Experience Psychology Second Edition: Laura A. King "Experience Psychology" is a first. Its groundbreaking adaptive questioning diagnostic and personalized study plan help students "know what they know" while ... Experience Psychology, 2nd edition - King, Laura A. Experience Psychology, 2nd edition by King, Laura A. - ISBN 10: 1259695557 - ISBN 13: 9781259695551 - McGraw-Hill Education - 2013 - Softcover. Experience Psychology book by Laura A. King Buy a cheap copy of Experience Psychology book by Laura A. King ... The Science of Psychology 2nd Edition Select Material for PSY 1001 University of Colorado - ... Experience Psychology | Buy | 9780078035340 Rent Experience Psychology 2nd edition (978-0078035340) today, or search our site for other textbooks by Laura King. Every textbook comes with a 21-day ... Experience Psychology Get Experience Psychology by Laura King Textbook, eBook, and other options. ISBN 9781264108701. ... second major, in psychology, during the second semester of her ... Laura A King | Get Textbooks Experience Psychology Second Edition Includes Updated DSM 5 Chapter(2nd Edition) by Laura A. King Paperback, Published 2013 by N/A ISBN-13: 978-1-259-20187 ... Paperback By Laura A King - VERY GOOD Experience Psychology Second Edition - Paperback By Laura A King - VERY GOOD ; Quantity. 1 available ; Item Number. 265645141001 ; Brand. Unbranded ; Language. Books by Laura King The Science of Psychology(2nd Edition) An Appreciative View, by Laura A. King Hardcover, 736 Pages, Published 2010 by McGraw-Hill Humanities/Social ... Experience Psychology: Second Edition - Laura King Oct 4, 2012 — Title, Experience Psychology: Second Edition. Author, Laura King. Publisher, McGraw-Hill Higher Education, 2012. Engineering Materials: Properties and Selection Encompassing all significant material systems-metals, ceramics, plastics, and composites-this text incorporates the most up-to-date information on material ... Engineering Materials: Properties and Selection ... A comprehensive survey of the properties and selection of the major engineering materials. Revised to reflect current technology and applications, ... Engineering Materials: Properties and Selection Feb 2, 2009 — Chapter 1 The Importance of Engineering Materials. Chapter

2 Forming Engineering Materials from the Elements. Engineering Materials Properties And Selection 9th Edition ... Format : PDF Size : 549 MB Authors : Michael Budinski, Kenneth G. Budinski Publisher : Pearson; 9th edition (February 3, 2009) Language : English ... Engineering Materials: Properties and Selection - 535.731 This course will concentrate on metal alloys but will also consider polymers and ceramics. Topics specific to metals will include effects of work hardening and ... Engineering Materials: Properties and Selection (9th Edition) List Price: \$233.32 ; Amazon Price: \$155.10 ; You Save: \$78.22 (34%) ; Editorial Reviews The father-son authoring duo of Kenneth G. Budinski and Michael K. Engineering Materials: Properties and Selection - Hardcover This text covers theory and industry-standard selection practices, providing students with the working knowledge to make an informed selection of materials for ... Engineering Materials Properties and Selection | Rent COUPON: RENT Engineering Materials Properties and Selection 9th edition (9780137128426) and save up to 80% on textbook rentals and 90% on used textbooks ... Engineering Materials Properties And Selection Budinski Engineering Materials: Properties and Selection (9th ... Engineering Materials Properties And Selection Covering all important classes of materials and ... Engineering Materials: Properties and Selection This text covers theory and industry-standard selection practices, providing students with the working knowledge to make an informed selection of materials for ... 3 Pedrotti - Solution Manual for Introduction to Optics On Studocu you find all the lecture notes, summaries and study guides you need to pass your exams with better grades. Solution For Optics Pedrotti | PDF solution-for-optics-pedrotti[272] - Read book online for free. optics solution. Manual Introduction to Optics Pedrotti.pdf Manual Introduction to Optics Pedrotti.pdf. Manual Introduction to Optics ... Hecht Optics Solution Manual. 37 1 10MB Read ... Introduction To Optics 3rd Edition Textbook Solutions Access Introduction to Optics 3rd Edition solutions now. Our solutions are written by Chegg experts so you can be assured of the highest quality! Solution For Optics Pedrotti The microscope first focuses on the scratch using direct rays. Then it focuses on the image I₂ formed in a two step process: (1) reflection from the bottom ... Introduction to Optics - 3rd Edition - Solutions and Answers Our resource for Introduction to Optics includes answers to chapter exercises, as well as detailed information to walk you through the process step by step. Introduction to Optics: Solutions Manual Title, Introduction to Optics: Solutions Manual. Authors, Frank L. Pedrotti, Leno S. Pedrotti. Edition, 2. Publisher, Prentice Hall, 1993. Optics Pedrotti Solution Manual Pdf Optics Pedrotti Solution Manual Pdf. INTRODUCTION Optics Pedrotti Solution Manual Pdf Copy. Manual Introduction To Optics Pedrotti PDF Manual Introduction to Optics Pedrotti.pdf - Free ebook download as PDF File (.pdf), Text File (.txt) or read book online for free. Solutions Manual for Introduction to Optics 3rd Edition ... Mar 25, 2022 - Solutions Manual for Introduction to Optics 3rd Edition by Pedrotti Check more at ...