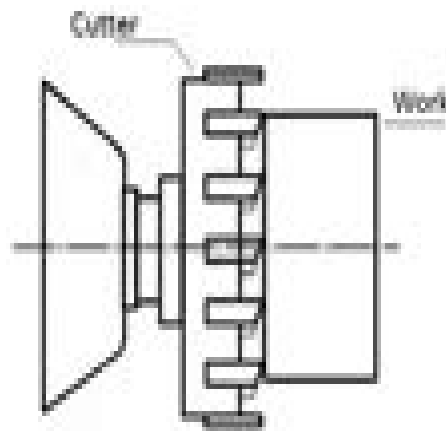
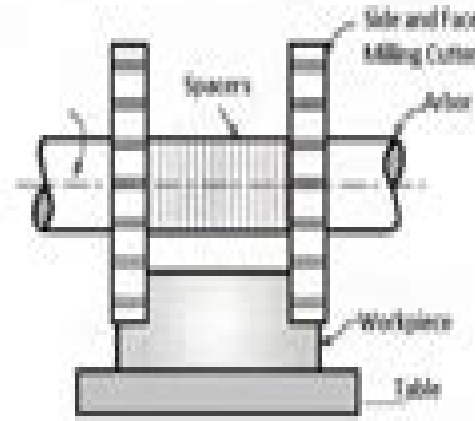


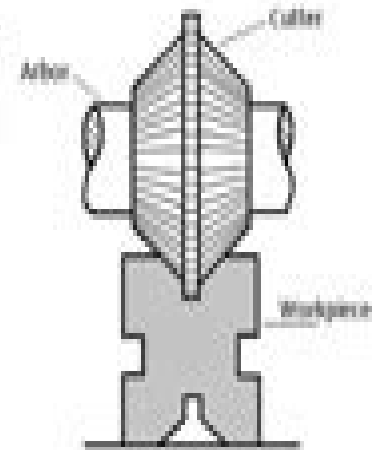
Plain Milling Operation



Face Milling Operation

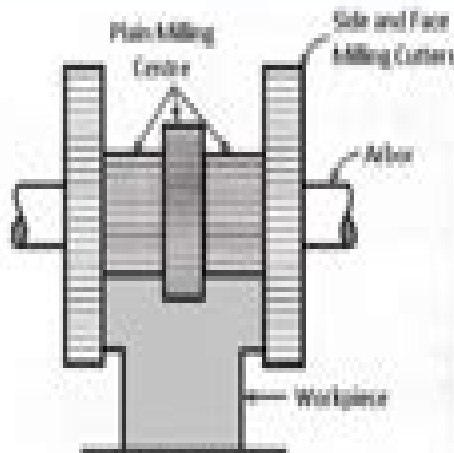


Straddle Milling Operation

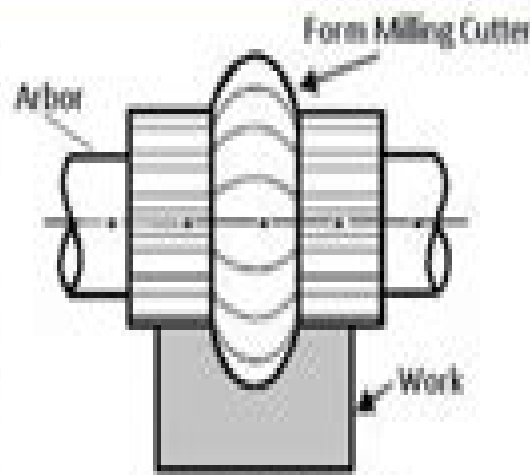


Angular Milling

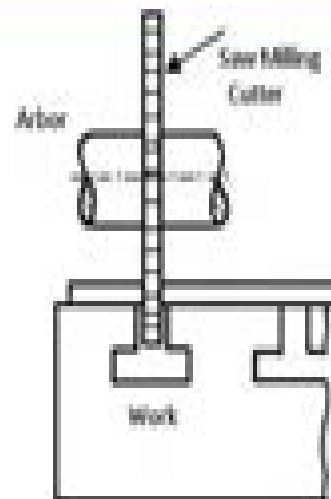
# Types of Milling Operations



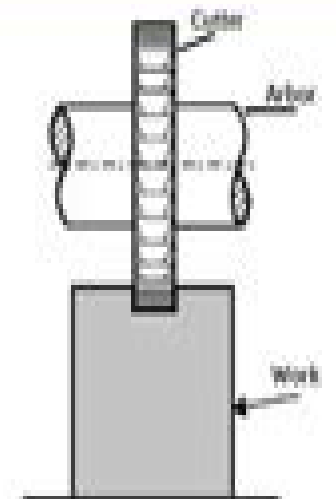
Gang Milling Operation



Form Milling Operation



Saw Milling Operation



Keyway Milling Operation

# Milling Machine Operations

**Mikell P. Groover**



## **Milling Machine Operations:**

**Milling Machine Operation** Lewis E. King,1944 *American Machinist* ,1909 **Machine Shop Practice** Karl Hans Moltrecht,1981 Details the skills involved in operating milling cutters planers lathes shaper tools boring machines grinding wheels and drills **Machining Processes and Machines** Zainul Huda,2020-12-14 Machining is one of the eight basic manufacturing processes This textbook covers the fundamentals and engineering analysis of both conventional and advanced non traditional material removal processes along with gear cutting manufacturing and computer numerically controlled CNC machining The text provides a holistic understanding of machining processes and machines in manufacturing it enables critical thinking through mathematical modeling and problem solving and offers 200 worked examples calculations and 70 multiple choice questions on machining operations as well as on CNC machining with the eBook version offered in color This unique book is equally useful to both engineering degree students and production engineers practicing in the manufacturing industry **Fundamentals of Modern Manufacturing** Mikell P. Groover,2010-01-07 Engineers rely on Groover because of the book s quantitative and engineering oriented approach that provides more equations and numerical problem exercises The fourth edition introduces more modern topics including new materials processes and systems End of chapter problems are also thoroughly revised to make the material more relevant Several figures have been enhanced to significantly improve the quality of artwork All of these changes will help engineers better understand the topic and how to apply it in the field **Manufacturing Technology** R. K. Rajput,2007 A study of modern manufacturing techniques machinery and production processes in industrial engineering **Machinery** ,1911 *Machine Tool Operation ...* Henry D. Burghardt,1922 Machinery and Production Engineering ,1916 **Machinery** Lester Gray French,1922 Machinery Fred Herbert Colvin,Lester Gray French,1910 *Circular - Office of Education* United States. Office of Education,1964 **Shooting and Fishing** ,1919 *Modern machine shop tools, a treatise describing the construction, operation and manipulation of hand and machine tools* William Humphrey Van Dervoort,1903 The Mechanical World ,1916 *Ingersoll Milling Machine Company V. General Motors Corporation* ,1953 *Modern Machine Shop Tools, Their Construction, Operation and Manipulation, Including Both Hand and Machine Tools ...* William Humphrey Van Dervoort,1903 Automobile Engineer ,1929 The Automobile Engineer ,1917 **Iron Age and Hardware, Iron and Industrial Reporter** ,1925

Immerse yourself in the artistry of words with is expressive creation, **Milling Machine Operations** . This ebook, presented in a PDF format ( Download in PDF: \*), is a masterpiece that goes beyond conventional storytelling. Indulge your senses in prose, poetry, and knowledge. Download now to let the beauty of literature and artistry envelop your mind in a unique and expressive way.

[https://www.staging.gilderlehrman.org/data/publication/index.jsp/reading\\_15\\_teachers\\_resource\\_take\\_me\\_there\\_sc\\_edition.pdf](https://www.staging.gilderlehrman.org/data/publication/index.jsp/reading_15_teachers_resource_take_me_there_sc_edition.pdf)

## **Table of Contents Milling Machine Operations**

1. Understanding the eBook Milling Machine Operations
  - The Rise of Digital Reading Milling Machine Operations
  - Advantages of eBooks Over Traditional Books
2. Identifying Milling Machine Operations
  - Exploring Different Genres
  - Considering Fiction vs. Non-Fiction
  - Determining Your Reading Goals
3. Choosing the Right eBook Platform
  - Popular eBook Platforms
  - Features to Look for in an Milling Machine Operations
  - User-Friendly Interface
4. Exploring eBook Recommendations from Milling Machine Operations
  - Personalized Recommendations
  - Milling Machine Operations User Reviews and Ratings
  - Milling Machine Operations and Bestseller Lists
5. Accessing Milling Machine Operations Free and Paid eBooks
  - Milling Machine Operations Public Domain eBooks
  - Milling Machine Operations eBook Subscription Services

- Milling Machine Operations Budget-Friendly Options
- 6. Navigating Milling Machine Operations eBook Formats
  - ePub, PDF, MOBI, and More
  - Milling Machine Operations Compatibility with Devices
  - Milling Machine Operations Enhanced eBook Features
- 7. Enhancing Your Reading Experience
  - Adjustable Fonts and Text Sizes of Milling Machine Operations
  - Highlighting and Note-Taking Milling Machine Operations
  - Interactive Elements Milling Machine Operations
- 8. Staying Engaged with Milling Machine Operations
  - Joining Online Reading Communities
  - Participating in Virtual Book Clubs
  - Following Authors and Publishers Milling Machine Operations
- 9. Balancing eBooks and Physical Books Milling Machine Operations
  - Benefits of a Digital Library
  - Creating a Diverse Reading Collection Milling Machine Operations
- 10. Overcoming Reading Challenges
  - Dealing with Digital Eye Strain
  - Minimizing Distractions
  - Managing Screen Time
- 11. Cultivating a Reading Routine Milling Machine Operations
  - Setting Reading Goals Milling Machine Operations
  - Carving Out Dedicated Reading Time
- 12. Sourcing Reliable Information of Milling Machine Operations
  - Fact-Checking eBook Content of Milling Machine Operations
  - Distinguishing Credible Sources
- 13. Promoting Lifelong Learning
  - Utilizing eBooks for Skill Development
  - Exploring Educational eBooks
- 14. Embracing eBook Trends

- Integration of Multimedia Elements
- Interactive and Gamified eBooks

### **Milling Machine Operations Introduction**

Free PDF Books and Manuals for Download: Unlocking Knowledge at Your Fingertips In today's fast-paced digital age, obtaining valuable knowledge has become easier than ever. Thanks to the internet, a vast array of books and manuals are now available for free download in PDF format. Whether you are a student, professional, or simply an avid reader, this treasure trove of downloadable resources offers a wealth of information, conveniently accessible anytime, anywhere. The advent of online libraries and platforms dedicated to sharing knowledge has revolutionized the way we consume information. No longer confined to physical libraries or bookstores, readers can now access an extensive collection of digital books and manuals with just a few clicks. These resources, available in PDF, Microsoft Word, and PowerPoint formats, cater to a wide range of interests, including literature, technology, science, history, and much more. One notable platform where you can explore and download free Milling Machine Operations PDF books and manuals is the internet's largest free library. Hosted online, this catalog compiles a vast assortment of documents, making it a veritable goldmine of knowledge. With its easy-to-use website interface and customizable PDF generator, this platform offers a user-friendly experience, allowing individuals to effortlessly navigate and access the information they seek. The availability of free PDF books and manuals on this platform demonstrates its commitment to democratizing education and empowering individuals with the tools needed to succeed in their chosen fields. It allows anyone, regardless of their background or financial limitations, to expand their horizons and gain insights from experts in various disciplines. One of the most significant advantages of downloading PDF books and manuals lies in their portability. Unlike physical copies, digital books can be stored and carried on a single device, such as a tablet or smartphone, saving valuable space and weight. This convenience makes it possible for readers to have their entire library at their fingertips, whether they are commuting, traveling, or simply enjoying a lazy afternoon at home. Additionally, digital files are easily searchable, enabling readers to locate specific information within seconds. With a few keystrokes, users can search for keywords, topics, or phrases, making research and finding relevant information a breeze. This efficiency saves time and effort, streamlining the learning process and allowing individuals to focus on extracting the information they need. Furthermore, the availability of free PDF books and manuals fosters a culture of continuous learning. By removing financial barriers, more people can access educational resources and pursue lifelong learning, contributing to personal growth and professional development. This democratization of knowledge promotes intellectual curiosity and empowers individuals to become lifelong learners, promoting progress and innovation in various fields. It is worth noting that while accessing free Milling Machine Operations PDF books and manuals is convenient and cost-effective, it is vital to respect

copyright laws and intellectual property rights. Platforms offering free downloads often operate within legal boundaries, ensuring that the materials they provide are either in the public domain or authorized for distribution. By adhering to copyright laws, users can enjoy the benefits of free access to knowledge while supporting the authors and publishers who make these resources available. In conclusion, the availability of Milling Machine Operations free PDF books and manuals for download has revolutionized the way we access and consume knowledge. With just a few clicks, individuals can explore a vast collection of resources across different disciplines, all free of charge. This accessibility empowers individuals to become lifelong learners, contributing to personal growth, professional development, and the advancement of society as a whole. So why not unlock a world of knowledge today? Start exploring the vast sea of free PDF books and manuals waiting to be discovered right at your fingertips.

### FAQs About Milling Machine Operations Books

1. Where can I buy Milling Machine Operations books? Bookstores: Physical bookstores like Barnes & Noble, Waterstones, and independent local stores. Online Retailers: Amazon, Book Depository, and various online bookstores offer a wide range of books in physical and digital formats.
2. What are the different book formats available? Hardcover: Sturdy and durable, usually more expensive. Paperback: Cheaper, lighter, and more portable than hardcovers. E-books: Digital books available for e-readers like Kindle or software like Apple Books, Kindle, and Google Play Books.
3. How do I choose a Milling Machine Operations book to read? Genres: Consider the genre you enjoy (fiction, non-fiction, mystery, sci-fi, etc.). Recommendations: Ask friends, join book clubs, or explore online reviews and recommendations. Author: If you like a particular author, you might enjoy more of their work.
4. How do I take care of Milling Machine Operations books? Storage: Keep them away from direct sunlight and in a dry environment. Handling: Avoid folding pages, use bookmarks, and handle them with clean hands. Cleaning: Gently dust the covers and pages occasionally.
5. Can I borrow books without buying them? Public Libraries: Local libraries offer a wide range of books for borrowing. Book Swaps: Community book exchanges or online platforms where people exchange books.
6. How can I track my reading progress or manage my book collection? Book Tracking Apps: Goodreads, LibraryThing, and Book Catalogue are popular apps for tracking your reading progress and managing book collections. Spreadsheets: You can create your own spreadsheet to track books read, ratings, and other details.

7. What are Milling Machine Operations audiobooks, and where can I find them? Audiobooks: Audio recordings of books, perfect for listening while commuting or multitasking. Platforms: Audible, LibriVox, and Google Play Books offer a wide selection of audiobooks.
8. How do I support authors or the book industry? Buy Books: Purchase books from authors or independent bookstores. Reviews: Leave reviews on platforms like Goodreads or Amazon. Promotion: Share your favorite books on social media or recommend them to friends.
9. Are there book clubs or reading communities I can join? Local Clubs: Check for local book clubs in libraries or community centers. Online Communities: Platforms like Goodreads have virtual book clubs and discussion groups.
10. Can I read Milling Machine Operations books for free? Public Domain Books: Many classic books are available for free as they're in the public domain. Free E-books: Some websites offer free e-books legally, like Project Gutenberg or Open Library.

### **Find Milling Machine Operations :**

[reading 1.5 teachers resource take me there sc edition](#)

[raw deal a jake morgan mystery](#)

[rational techniques in policy analysis](#)

[raven after dark](#)

**reading criticism and culture**

[read on 1 audiocassette](#)

**rdp policy audit**

**reading early modern women**

**readers/writers notebook on the horizon by baumann teachers edition**

[ray atkesons western impressions](#)

[rd fall03 cat](#)

[readers theatre for children scripts and script development](#)

[read 180 developed in collaboration with vanserbilt univers](#)

[raven seek thy brother](#)

[reading company in color vol 1](#)

**Milling Machine Operations :**

*mehr frauen auf baumen more women in trees hardcover* - Jan 15 2023

web they feature young women at dizzying heights who at times smile into the camera as if they were in love the publication assembles the finds from this charming genre that

*women in trees frauen auf baumen by jochen raiss* - Aug 10 2022

web the declaration as competently as perception of this women in trees frauen auf baumen can be taken as skillfully as picked to act thieme preusser dictionary of the english and

*mehr frauen auf baumen more women in trees hardcover by* - Oct 12 2022

web sammlung jochen raiss women in trees d d europe pÃ trole en gros peignant le cadre d image enumerative style and its significance in deepdyve bol women in trees jochen

*frauen auf baumen smcapproved com* - Aug 22 2023

web both how women composed their poems and how they engaged with their contemporaries mehr frauen auf bäumen

jochen raiss 2017 09 30 more women in trees delves

*frauen auf bäumen thames hudson australia new zealand* - Dec 14 2022

web all from 16 07 new books from 16 07 all copies 2 hardcover 1 choose edition 1 book details seller sort page 1 of 1 books by jochen raiss more women in trees

**women in trees frauen auf baumen api digital capito** - Feb 16 2023

web find the best prices on mehr frauen auf baumen more women in trees by raiss jochen at biblio hardcover 2018 hatje cantz pub 9783775743150

**women in trees frauen auf baumen copy staging mphetech** - Jan 03 2022

web 2 women in trees frauen auf baumen 2023 09 04 staël were napoleon bonaparte s best known female opponents women s discontent with napoleon and the napoleonic

*women in trees frauen auf baumen cdn writermag* - Dec 02 2021

web frauen auf baumen women in trees hardcover you know i don t know how one can walk by a tree and not be happy at the sight of it writes fyodor pionniere zerstort 3 frauen an

**women in trees frauen auf baumen wef tamu** - Mar 05 2022

web women in trees frauen auf baumen 3 3 history and film the sometimes exhilarating sometimes fraught relationship that women have with the metropolis called deliciously

women in trees frauen auf baumen by jochen raiss - Nov 01 2021

[women in trees frauen auf baumen by jochen raiss](#) - Jun 08 2022

web women in trees frauen auf baumen pdf upload donald l ferguson 2 4 downloaded from voto uneal edu br on september 14 2023 by donald l ferguson gramophone film

[women in trees frauen auf baumen pqr uiaf gov co](#) - Jul 09 2022

web sep 15 2023 women in trees frauen auf baumen by jochen raiss frauen auf bäumen de jochen raiss bücher euskaltzaindia eus bol frauen auf baumen women in

**frauen auf baumen by jochen raiss waterstones** - Jun 20 2023

web jun 14 2016 buy frauen auf baumen by jochen raiss from waterstones today click and collect from your local waterstones or get free uk delivery on orders over 25

[women in trees frauen auf baumen pdf pdf](#) - Jul 21 2023

web movement exploring both women s history and current day realities with easy to follow lists and timelines like those on women who made a difference chronology of the u s

[women in trees frauen auf baumen pdf](#) - Sep 23 2023

web now with the trees growing wild and untamed only a soulguide can restrain them as war looms sirscha must master her newly awakened abilities before the trees shatter the

**the paris review women in trees** - May 19 2023

web jun 14 2016 perhaps this sentence could also be used to explain the theme of women in trees that was so popular between the twenties and fifties and has until now never

[women in trees frauen auf baumen hardcover](#) - Mar 17 2023

web 4 women in trees frauen auf baumen 2022 12 30 case studies from the uk france spain italy germany belgium and finland the book shows how teachers and policy

[magrudy com frauen auf baumen](#) - Apr 18 2023

web sep 27 2016 amazon co jp women in trees frauen auf baumen raiss jochen foreign language books

**women in trees frauen auf baumen by jochen raiss** - Sep 11 2022

web jochen raib raiss full text of beliefs and superstitions of the bol frauen auf baumen women in trees jochen raib digital resources find digital datasheets resources full text of

**5 590 woman sitting under tree stock photos dreamstime** - Apr 06 2022

web women in trees frauen auf baumen 1 women in trees frauen auf baumen when people should go to the ebook stores search start by shop shelf by shelf it is in reality

**women in trees frauen auf baumen cdn writermag** - Feb 04 2022

web women in trees frauen auf baumen downloaded from staging mphasetech com by guest gates brennan women against napoleon springer verlag botanica is an

**women in trees frauen auf baumen pdf pdf voto uncal edu** - May 07 2022

web 8 9 10 download woman sitting under tree stock photos free or royalty free photos and images use them in commercial designs under lifetime perpetual worldwide rights

**frauen auf baumen by jochen raiss text by alibris** - Nov 13 2022

web sep 15 2022 mehr frauen auf baumen more women in trees hardcover by raiss jochen isbn 3775743154 isbn 13 9783775743150 like new used free shipping in

**my first zoo let s meet the animals by dk waterstones** - Apr 17 2022

web nepal english न प ः ल प ः ल निह पाल पाल nepali न प ः ल प ः ल is a landlocked country in south asia it is mainly situated in the himalayas but also includes parts of the indo gangetic plain it borders the tibet autonomous region of china to the north and india in the south east and west while it is narrowly separated from bangladesh by the

**my first zoo let s meet the animals** - May 19 2022

web apr 8 2020 39 dogknotchick said update i just tried to get my dog to mount me in the garage lol he wasn t feeling it i pulled off my shorts and tried to get him to smell my pussy hoping he d get aroused from my smell i m not sure if dogs can tell when a woman was aroused but my pussy was very wet anyways i tried masturbating him

*my first zoo let s meet the animals my first tabbed* - May 31 2023

web meet all the exciting zoo animals in tabbed board books my first zoo filled with stunning photographs and clear labels tabbed board books my first zoo helps children develop first language skills by introducing them to zoo animals

*my first zoo let s meet the animals penguin books australia* - Jun 19 2022

web my first zoo let s meet the animals my first tabbed board book by dk at abebooks co uk isbn 10 0241247101 isbn 13 9780241247105 dk children 2016 hardcover

**my 1st zoo lets meet the animals board book walmart com** - Feb 25 2023

web episode info while living in africa jackson oz finds a link between his late father s theories about a threat to the human race and mysterious animal attacks similar unusual animal behavior

[my first zoo let s meet the animals dk pt](#) - Apr 29 2023

web let s take a trip to the zoo and meet the animals from big beasts to fluttery butterflies this is the perfect first book to introduce toddlers to the animal kingdom packed with bright photographic pictures and activities your toddler will love exploring the zoo and meeting everyone who lives there

*tabbed board books my first zoo let s meet the* - Sep 03 2023

web 7 rows apr 1 2016 let s take a trip to the zoo and meet the animals from big beasts to fluttery butterflies

[buy my first zoo let s meet the animals my first tabbed board](#) - Jan 27 2023

web apr 19 2016 description meet all the exciting zoo animals in tabbed board books my first zoo filled with stunning photographs and clear labels tabbed board books my first zoo helps children develop first language skills by introducing them to zoo animals

**zoo season 1 episode 1 rotten tomatoes** - Nov 24 2022

web read more learn well login register 0

[my first zoo let s meet the animals jsimeducation com sg](#) - Aug 22 2022

web meet all the exciting zoo animals in tabbed board books my first zoo filled with stunning photographs and clear labels tabbed board books my first zoo helps children develop first language skills by introducing them to zoo animals

**my first zoo let s meet the animals by dk alibris** - Dec 26 2022

web hello sign in account lists returns orders cart

[my first zoo let s meet the animals my first tabbed board book](#) - Mar 17 2022

web thing are getting heating join trish regan for a live look at today s events

**my first zoo let s meet the animals by clare lloyd** - Oct 04 2023

web available in national library singapore hands on fun awaits you and your toddler as you learn about zoo animals with my first zoo let s meet the animals packed with colourful pictures and activities your toddler will love discovering all about zoo animals with this tactile board book

[breaking u s retaliates against iran with strikes as](#) - Dec 14 2021

**zoo season 1 episode 1 first blood metacritic** - Jul 21 2022

web apr 1 2016 from big beasts to fluttery butterflies this is theperfect first book to introduce toddlers to the animal kingdom packed with bright photographic pictures and activities your toddler will love exploring the zoo and meeting everyone who lives there

[nepal wikipedia](#) - Jan 15 2022

**my first zoo let s meet the animals google books** - Mar 29 2023

web let s take a trip to the zoo and meet the animals from big beasts to fluttery butterflies this is theperfect first book to introduce toddlers to the animal kingdom packed with bright photographic pictures and activities your toddler will love exploring the zoo and meeting everyone who lives there

*tabbed board books my first zoo let s meet the animals my* - Oct 24 2022

web jun 30 2015 metacritic tv episode reviews first blood two fatal lion attacks thousands of miles distant are the first indications of a threat that could wipe out all humanity

**my first zoo let s meet the animals dk amazon sg books** - Sep 22 2022

web apr 18 2016 my first zoo let s meet the animals buy from amazon booktopia dymocks qbd readings find local retailers view all retailers the ideal first book to introduce toddlers to the animal kingdom packed with beautiful photography and clear picture tabs to support early learning let s take a trip to the zoo and meet the animals

first time with a dog did he knot me or not zooville org - Feb 13 2022

**my first zoo let s meet the animals dk uk** - Jul 01 2023

web from big beasts to fluttery butterflies this is theperfect first book to introduce toddlers to the animal kingdom packed with bright photographic pictures and activities your toddler will

*my first zoo let s meet the animals editor clare lloyd* - Aug 02 2023

web apr 1 2016 let s take a trip to the zoo and meet the animals from big beasts to fluttery butterflies this is theperfect first book to introduce toddlers to the animal kingdom packed with bright photographic pictures and activities your toddler will love exploring the zoo and meeting everyone who lives there

**der wiederaufbau in west und ostdeutschland großbritannien** - Jun 01 2022

web der wiederaufbau in polen der wiederaufbau in polen ist nach dem zweiten weltkrieg vom sowjetischen einfluss geprägt dieses system besteht hauptsächlich im kommunistischen ideal der planwirtschaft es zeigt sich immer mehr daß die große errungenschaft der revolution die planwirtschaft ist sozialismus das ist der plan

**modernisierung im wiederaufbau die westdeutsche gesellschaft** - Aug 15 2023

web modernisierung im wiederaufbau die westdeutsche gesellschaft der 50er jahre by schildt axel sywottek arnold 1942 publication date 1998 topics civilization economic history politics and government social conditions publisher bonn j h w dietz collection inlibrary printdisabled internetarchivebooks china contributor internet archive

**modernisierung im wiederaufbau die westdeutsche gesellschaft** - Dec 07 2022

web modernisierung im wiederaufbau die westdeutsche gesellschaft der 50er jahre by axel schildt arnold sywottek paperback 860 pages published 1998 isbn 10 3 8012 4091 6 3801240916 isbn 13 978 3 8012 4091 2 9783801240912 get this from a library modernisierung im wiederaufbau die westdeutsche gesellschaft der 50er jahre axel

*der wiederaufbau der wiederaufbau archiv wdr* - Aug 03 2022

web betriebsräte holten die kohlen aus dem feuer wiederaufbau ohne gewerkschaft im ruhrgebiet undenkbar wdr de sprach

mit dem 78 jährigen hans knobloch

modernisierung im wiederaufbau die westdeutsche g pdf sean - Apr 30 2022

web merely said the modernisierung im wiederaufbau die westdeutsche g pdf is universally compatible with any devices to read losing heaven thomas großbölting 2016 10 01 as the birthplace of the reformation germany has been the site of some of the most significant moments in the history of european christianity

herausgeber modernisierung im wiederaufbau core - Apr 11 2023

web modernisierung im wiederaufbau die westdeutsche gesellschaft der 50er jahre forschungsinstitut der friedrich ebert stiftung axel schildt arnold sywottek hrsg bonn dietz 1993 reihe politik und gesellschaftsgeschichte bd 33 isbn 3 8012 4042 8 ne schildt axel hrsg gt forschungsinstitut der friedrich ebert stiftung

*modernisierung im wiederaufbau die westdeutsche g* - Mar 30 2022

web may 30 2023 this modernisierung im wiederaufbau die westdeutsche g can be taken as capably as picked to act german intellectuals and the challenge of democratic renewal sean a forner 2017 03 23 this book examines how democracy was rethought in germany in the wake of national socialism the second world war and the holocaust focusing

**modernisierung im wiederaufbau die westdeutsche gesellschaft** - Jul 14 2023

web modernisierung im wiederaufbaudie westdeutsche g c peden modernisierung im wiederaufbau von schildt zvb lwl vertreibung und wirtschaftswunder aufbau west wirtschaftliche interessenvertretung in der der bundesdeutsche

modernisierung im wiederaufbau die westdeutsche gesellschaft - Jan 08 2023

web jun 20 2023 in modernisierung im wieder aufbau die westdeutsche gesellschaft der 50er jahre ed schieldt machtstrukturen und entscheidungsmechanismen im sed staat und die frage der verantwortung ed deutscher bundestag vol ii 2 macht die usa die oeec und die westdeutsche außenhandelspolitik 1949 1952

**modernisierung im wiederaufbau die westdeutsche gesellschaft** - Feb 09 2023

web jun 7 2023 modernisierung im wiederaufbau die westdeutsche gesellschaft der 50er jahre axel schildt arnold sywottek herausgeber dietz 1998 ungekürzte durchges und aktualisierte studienausg paul nolte die ordnung der deutschen gesellschaft selbstentwurf und selbstbeschrei bung im 20 jahrhundert münche n 2000 axel schildt arnold sywottek

**modernisierung im wiederaufbau die westdeutsche g 2023** - Jun 13 2023

web modernisierung im wiederaufbau die westdeutsche g gis and fräuleins may 30 2023 with the outbreak of the korean war the poor rural west german state of rhineland palatinate became home to some of the largest american military installations outside the united states in gis

**modernisierung im wiederaufbau die westdeutsche amazon de** - Nov 06 2022

web modernisierung im wiederaufbau die westdeutsche gesellschaft der 50er jahre wirtschaftsgeschichte geschichte schildt

hg axel und arnold hg sywottek isbn kostenloser versand für alle bücher mit versand und verkauf duch amazon

**modernisierung im wiederaufbau die westdeutsche g pdf** - Mar 10 2023

web 4 modernisierung im wiederaufbau die westdeutsche g 2021 11 19 economic stability and political influence in postwar europe what started as a competition for ideological superiority between east and west germany quickly turned into a shared politically legitimizing quest for an untainted post fascist modernity this work follows products

**modernisierung im wiederaufbau die westdeutsche g** - Jul 02 2022

web modernisierung im wiederaufbau die westdeutsche g downloaded from admision cbp edu pe by guest bowers travis selling modernity emotions in history immediately after the second world war the radio was the best preserved medium of mass communication in germany this book explores the implications of this dominance by

**modernisierung im wiederaufbau die westdeutsche gesellschaft** - Oct 05 2022

web modernisierung im wiederaufbau die westdeutsche g c peden jugendkultur und kulturindustrien im österreich der 50er die westdeutsche gesellschaft strukturen und formen literatur schildt

**wiederaufbau nach dem zweiten weltkrieg in ostdeutschland** - Jan 28 2022

web im gleichen jahr entstanden auch die 16 grundsätze des städtebaus die den leitlinien des damaligen sowjetischen städtebaus der stalin periode entsprachen heineberg 2001 223 224 die hauptziele dieser 16 grundsätze lassen sich wie folg zusammenfassen wiederaufbau nach dem zweiten weltkrieg in ostdeutschland hochschule

**modernisierung im wiederaufbau die westdeutsche gesellschaft** - Sep 04 2022

web modernisierung im wiederaufbau die westdeutsche gesellschaft der 50er jahre by axel schild arnold sywottek herausgeber modernisierung im wiederaufbau may 22nd 2020 modernisierung im wiederaufbau die westdeutsche gesellschaft der 50er jahre forschungsinstitut der friedrich ebert stiftung axel schildt arnold sywottek hrsg bonn dietz

**modernisierung im wiederaufbau die westdeutsche gesellschaft** - May 12 2023

web jun 7 2023 difficulty as retrieve guide modernisierung im wiederaufbau die westdeutsche gesellschaft der 50er jahre by axel schild arnold sywottek you could rapidly obtain this modernisierung im wiederaufbau die westdeutsche gesellschaft der 50er jahre by axel schild arnold

modernisierung im wiederaufbau die westdeutsche g pdf - Dec 27 2021

web sentenced to death for the killing of thousands of civilians in italy reveals how the commutation of that death sentence was one of the earliest maneuverings in the nascent cold war the many faces of germany frank trommler 2004 with the fall of the berlin wall and the shifting of american foreign policy away from old

modernisierung im wiederaufbau die westdeutsche g pdf - Feb 26 2022

web modernisierung im wiederaufbau die westdeutsche g but stop stirring in harmful downloads rather than enjoying a good

ebook later than a cup of coffee in the afternoon otherwise they juggled considering some harmful virus inside their computer modernisierung im wiederaufbau die westdeutsche g