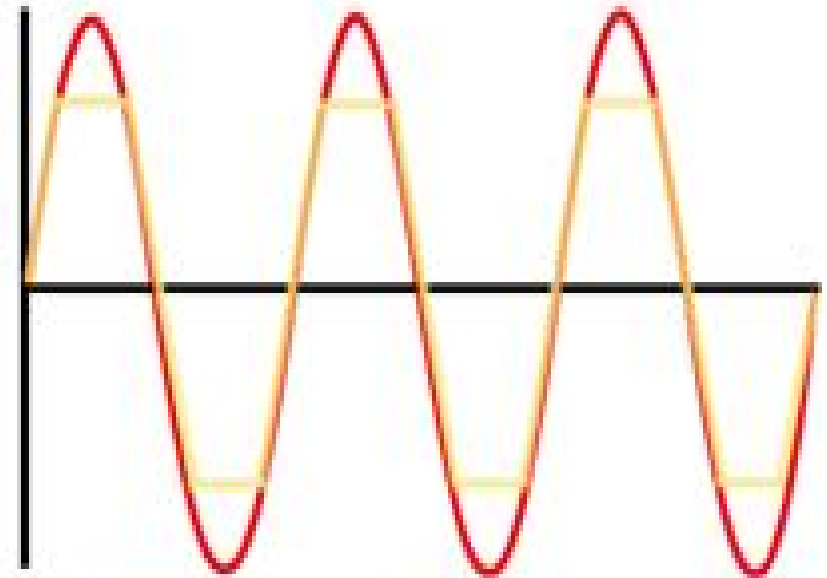
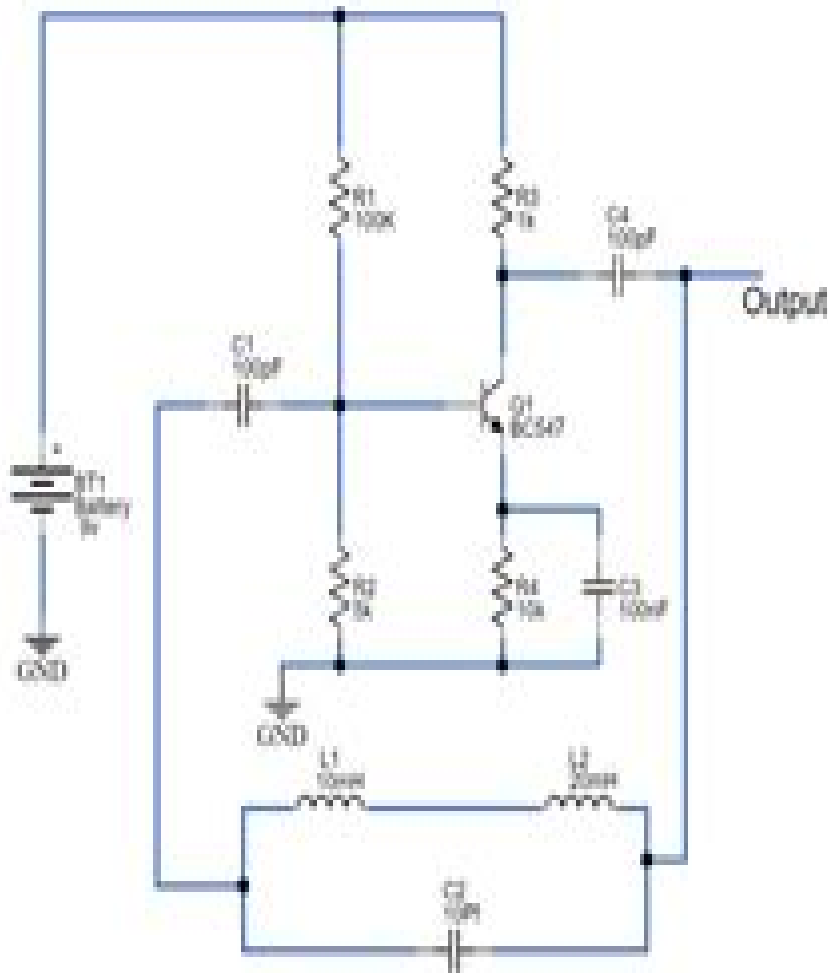


Hartley Oscillator



— Sin Wave

— Clipped Sin Wave

Oscillator Circuits

Yan Bai



Oscillator Circuits:

Embark on a breathtaking journey through nature and adventure with Crafted by is mesmerizing ebook, Witness the Wonders in **Oscillator Circuits** . This immersive experience, available for download in a PDF format (Download in PDF: *), transports you to the heart of natural marvels and thrilling escapades. Download now and let the adventure begin!

https://www.staging.gilderlehrman.org/results/publication/fetch.php/michelangelos_snowman_a_commonplace_coll.pdf

Table of Contents Oscillator Circuits

1. Understanding the eBook Oscillator Circuits
 - The Rise of Digital Reading Oscillator Circuits
 - Advantages of eBooks Over Traditional Books
2. Identifying Oscillator Circuits
 - Exploring Different Genres
 - Considering Fiction vs. Non-Fiction
 - Determining Your Reading Goals
3. Choosing the Right eBook Platform
 - Popular eBook Platforms
 - Features to Look for in an Oscillator Circuits
 - User-Friendly Interface
4. Exploring eBook Recommendations from Oscillator Circuits
 - Personalized Recommendations
 - Oscillator Circuits User Reviews and Ratings
 - Oscillator Circuits and Bestseller Lists
5. Accessing Oscillator Circuits Free and Paid eBooks
 - Oscillator Circuits Public Domain eBooks
 - Oscillator Circuits eBook Subscription Services
 - Oscillator Circuits Budget-Friendly Options
6. Navigating Oscillator Circuits eBook Formats

- ePub, PDF, MOBI, and More
 - Oscillator Circuits Compatibility with Devices
 - Oscillator Circuits Enhanced eBook Features
7. Enhancing Your Reading Experience
 - Adjustable Fonts and Text Sizes of Oscillator Circuits
 - Highlighting and Note-Taking Oscillator Circuits
 - Interactive Elements Oscillator Circuits
 8. Staying Engaged with Oscillator Circuits
 - Joining Online Reading Communities
 - Participating in Virtual Book Clubs
 - Following Authors and Publishers Oscillator Circuits
 9. Balancing eBooks and Physical Books Oscillator Circuits
 - Benefits of a Digital Library
 - Creating a Diverse Reading Collection Oscillator Circuits
 10. Overcoming Reading Challenges
 - Dealing with Digital Eye Strain
 - Minimizing Distractions
 - Managing Screen Time
 11. Cultivating a Reading Routine Oscillator Circuits
 - Setting Reading Goals Oscillator Circuits
 - Carving Out Dedicated Reading Time
 12. Sourcing Reliable Information of Oscillator Circuits
 - Fact-Checking eBook Content of Oscillator Circuits
 - Distinguishing Credible Sources
 13. Promoting Lifelong Learning
 - Utilizing eBooks for Skill Development
 - Exploring Educational eBooks
 14. Embracing eBook Trends
 - Integration of Multimedia Elements
 - Interactive and Gamified eBooks

Oscillator Circuits Introduction

In today's digital age, the availability of Oscillator Circuits books and manuals for download has revolutionized the way we access information. Gone are the days of physically flipping through pages and carrying heavy textbooks or manuals. With just a few clicks, we can now access a wealth of knowledge from the comfort of our own homes or on the go. This article will explore the advantages of Oscillator Circuits books and manuals for download, along with some popular platforms that offer these resources. One of the significant advantages of Oscillator Circuits books and manuals for download is the cost-saving aspect. Traditional books and manuals can be costly, especially if you need to purchase several of them for educational or professional purposes. By accessing Oscillator Circuits versions, you eliminate the need to spend money on physical copies. This not only saves you money but also reduces the environmental impact associated with book production and transportation. Furthermore, Oscillator Circuits books and manuals for download are incredibly convenient. With just a computer or smartphone and an internet connection, you can access a vast library of resources on any subject imaginable. Whether you're a student looking for textbooks, a professional seeking industry-specific manuals, or someone interested in self-improvement, these digital resources provide an efficient and accessible means of acquiring knowledge. Moreover, PDF books and manuals offer a range of benefits compared to other digital formats. PDF files are designed to retain their formatting regardless of the device used to open them. This ensures that the content appears exactly as intended by the author, with no loss of formatting or missing graphics. Additionally, PDF files can be easily annotated, bookmarked, and searched for specific terms, making them highly practical for studying or referencing. When it comes to accessing Oscillator Circuits books and manuals, several platforms offer an extensive collection of resources. One such platform is Project Gutenberg, a nonprofit organization that provides over 60,000 free eBooks. These books are primarily in the public domain, meaning they can be freely distributed and downloaded. Project Gutenberg offers a wide range of classic literature, making it an excellent resource for literature enthusiasts. Another popular platform for Oscillator Circuits books and manuals is Open Library. Open Library is an initiative of the Internet Archive, a non-profit organization dedicated to digitizing cultural artifacts and making them accessible to the public. Open Library hosts millions of books, including both public domain works and contemporary titles. It also allows users to borrow digital copies of certain books for a limited period, similar to a library lending system. Additionally, many universities and educational institutions have their own digital libraries that provide free access to PDF books and manuals. These libraries often offer academic texts, research papers, and technical manuals, making them invaluable resources for students and researchers. Some notable examples include MIT OpenCourseWare, which offers free access to course materials from the Massachusetts Institute of Technology, and the Digital Public Library of America, which provides a vast collection of digitized books and historical documents. In conclusion, Oscillator Circuits books and manuals for download have transformed the way we access information. They provide a cost-effective and convenient

means of acquiring knowledge, offering the ability to access a vast library of resources at our fingertips. With platforms like Project Gutenberg, Open Library, and various digital libraries offered by educational institutions, we have access to an ever-expanding collection of books and manuals. Whether for educational, professional, or personal purposes, these digital resources serve as valuable tools for continuous learning and self-improvement. So why not take advantage of the vast world of Oscillator Circuits books and manuals for download and embark on your journey of knowledge?

FAQs About Oscillator Circuits Books

How do I know which eBook platform is the best for me? Finding the best eBook platform depends on your reading preferences and device compatibility. Research different platforms, read user reviews, and explore their features before making a choice. Are free eBooks of good quality? Yes, many reputable platforms offer high-quality free eBooks, including classics and public domain works. However, make sure to verify the source to ensure the eBook credibility. Can I read eBooks without an eReader? Absolutely! Most eBook platforms offer web-based readers or mobile apps that allow you to read eBooks on your computer, tablet, or smartphone. How do I avoid digital eye strain while reading eBooks? To prevent digital eye strain, take regular breaks, adjust the font size and background color, and ensure proper lighting while reading eBooks. What the advantage of interactive eBooks? Interactive eBooks incorporate multimedia elements, quizzes, and activities, enhancing the reader engagement and providing a more immersive learning experience. Oscillator Circuits is one of the best book in our library for free trial. We provide copy of Oscillator Circuits in digital format, so the resources that you find are reliable. There are also many Ebooks of related with Oscillator Circuits. Where to download Oscillator Circuits online for free? Are you looking for Oscillator Circuits PDF? This is definitely going to save you time and cash in something you should think about.

Find Oscillator Circuits :

[michelangelos snowman a commonplace coll](#)

[microsoft sms installer](#)

[microsoft office 2003 web components and collaboration](#)

[microprocessors in industrial control an independent learning module from the instrument society of america](#)

[microsoft office system inside out 2003 edw/cd](#)

[**microsoft office 97 certification guide**](#)

microsoft project 2002 bible

microcomputer methods for social scientists

microprocessors in signal processing measurement and control

microsoft access 2003 advanced course guide

microprocessor a biography

~~microfiche concordance to old english the list of texts and index~~

microsoft sql server 7 olap developers guide

microsoft office word 2003 a professional approach comprehensive student edition w/ cd-rom

microbiology and immunology for health related professions

Oscillator Circuits :

sell buy or rent bad people four terrifying short novels of suspen - Oct 05 2022

web sell buy or rent bad people four terrifying short novels of suspense 9781988091341 1988091349 we buy used or new for best buyback price with free shipping and offer great deals for buyers sell bad people four terrifying short novels of

bad people four terrifying short novels of suspen pdf - Mar 10 2023

web jul 18 2023 bad people four terrifying short novels of suspen 1 13 downloaded from uniport edu ng on july 18 2023 by guest bad people four terrifying short novels of suspen when somebody should go to the book stores search inauguration by shop shelf by shelf it is truly problematic this is why we offer the books compilations in this

sell buy or rent bad people four terrifying short novels of suspen - Jun 13 2023

web sell buy or rent bad people four terrifying short novels of suspense 9781988091198 1988091195 we buy used or new for best buyback price with free shipping and offer great deals for buyers sell bad people four terrifying short novels of

amazon com customer reviews bad people four terrifying short novels - Dec 27 2021

web find helpful customer reviews and review ratings for bad people four terrifying short novels of suspense at amazon com read honest and unbiased product reviews from our users

bad people four terrifying short novels of suspen full pdf - May 12 2023

web wildfire chronicles volumes 1 4 post apocalyptic zombie horror series bundle ghost recall bad people four terrifying short novels of suspen downloaded from usa fre01 fibertest redmangoanalytics com by guest jillian rodgers horror short stories independently published warfare is the most dangerous threat faced by modern humanity

bad people four terrifying short novels of suspen - Jun 01 2022

web gate a strange piece of graffiti leads to a terrifying encounter for four school friends in final course the world has

descended into darkness but a group of old friends make time for one last dinner party

pdf bad people four terrifying short novels of suspen - Mar 30 2022

web presents three short novels which explore the influence of the past the complexities of human relationships and the mysterious power of paris over its residents and visitors work suspended and other pieces jul 06

bad people four terrifying short novels of suspen jeffery - Jan 28 2022

web bad people four terrifying short novels of suspen recognizing the mannerism ways to acquire this books bad people four terrifying short novels of suspen is additionally useful you have remained in right site to begin getting this info get the bad people four terrifying short novels of suspen partner that we have the funds for here and

bad people four terrifying short novels of suspense goodreads - Aug 15 2023

web a collection of four critically acclaimed short novels box of bones jim is an american expat teaching english in the philippines after a night out with his girlfriend in one of the country s remote provinces he wakes to find himself in a pitch black coffin and quickly running out of oxygen

bad people four terrifying short novels of suspense - Jul 14 2023

web jan 5 2018 a collection of four critically acclaimed short novels box of bones jim is an american expat teaching english in the philippines after a night out with his girlfriend in one of the country s remote provinces he wakes to find himself in a pitch black coffin and quickly running out of oxygen

bad people four terrifying short novels of suspen dr mark - Sep 04 2022

web bad people four terrifying short novels of suspen is available in our book collection an online access to it is set as public so you can download it instantly our books collection saves in multiple countries allowing you to get the most less latency time to download any of our books like this one

bad people four terrifying short novels of suspen amanda boyd - Feb 26 2022

web bad people four terrifying short novels of suspen getting the books bad people four terrifying short novels of suspen now is not type of inspiring means you could not unaccompanied going later than books addition or library or borrowing from your contacts to way in them this is an agreed easy means to specifically get guide by on line

bad people four terrifying short novels of suspen - Dec 07 2022

web bad people four terrifying short novels of suspen italian horror film directors a bulk of short questions and answers series 4 year 4 short stories teacher s notes book 1 horror films of the 1980s arthur machen complete works novels poems horror short stories and others illustrated modern war a very short introduction bad people

bad people four terrifying short novels of suspen - Feb 09 2023

web 2 bad people four terrifying short novels of suspen 2019 11 23 dazzling light the bowmen and other noble ghosts

postscript the great return the shining pyramid 1923 the priest and the barber the spagyric quest of beroaldus cosmopolita a wonderful woman the lost club nature or the splendid holiday drake s drum the

bad people four terrifying short novels of suspen matthew - Apr 30 2022

web a comprehensive bibliography of books and short fiction published in the english language horror short stories h p lovecraft 2017 11 30 ghouls ghosts and macabre terrors stalk the night in this spine tingling collection with tales describing unnatural frights and haunting visions of cosmic terror you will be taken on a journey into the

bad people four terrifying short novels of suspen fwhlmail - Nov 06 2022

web bad people four terrifying short novels of suspen downloaded from fwhlmail williamcurley co uk by guest hurley molly terrifying short stories for the brave k r griffiths

bad people four terrifying short novels of suspen pdf - Apr 11 2023

web jul 18 2023 bad people four terrifying short novels of suspen in view of that simple dinosaur lake kathryn meyer griffith an ancient predator has been reborn in the caves beneath crater lake and it s hungry

bad people four terrifying short novels of suspen copy - Aug 03 2022

web aug 10 2023 short novels of suspen but stop happening in harmful downloads rather than enjoying a good book subsequent to a cup of coffee in the afternoon otherwise they juggled bearing in mind some harmful virus inside their computer bad people four terrifying short novels of suspen is reachable in our digital library an online entrance

bad people four terrifying short novels of suspen pdf 2023 - Jul 02 2022

web bad people four terrifying short novels of suspen pdf introduction bad people four terrifying short novels of suspen pdf 2023

bad people four terrifying short novels of suspen pdf - Jan 08 2023

web jul 26 2023 right here we have countless book bad people four terrifying short novels of suspen and collections to check out we additionally pay for variant types and as a consequence type

amoris laetitia wikipedia - Jul 01 2022

web lo sguardo rivolto a gesù la vocazione della famiglia il capitolo terzo si occupa della vocazione della famiglia secondo la tradizione cattolica ed i vangeli esso si concentra sulla natura sacramentale del matrimonio sulla sua indissolubilità e sul suo ruolo nella trasmissione della vita

amoris laetitia wikipedia - Oct 04 2022

web amoris laetitia the joy of love is a post synodal apostolic exhortation by pope francis addressing the pastoral care of families 1 dated 19 march 2016 it was released on 8 april 2016 it follows the synods on the family held in 2014 and 2015 note

[la famiglia nella amoris laetitia sanlucamilano it](#) - Oct 16 2023

web la famiglia nella amoris laetitia il passo del papa e il cammino della chiesa aristide fumagalli con la pubblicazione dell'esortazione apostolica amoris laetitia avvenuta l 8 aprile 2016 papa francesco ha concluso il cammino sinodale iniziato nell'ottobre 2014 presentando il ritratto di una chiesa in uscita sulla strada della famiglia

sull amore nella famiglia la sintesi dell esortazione del papa - Sep 15 2023

web amoris laetitia al la gioia dell amore l esortazione apostolica post sinodale sull amore nella famiglia datata non a caso 19 marzo solennità di san giuseppe raccoglie i

amoris LAetitia vatican - Feb 08 2023

web dinarius le sfide pastorali sulla famiglia nel contesto dell evangelizza zione relatio synodi 18 octobris 2014 2 dehinc rel syn 2014 2 id xiv coetus generalis extraordinarius la vocazione e la missione della famiglia nella chiesa e nel mondo contemporaneo rela tio finalis 24 octobris 2015 3 dehinc rel fin 2015

summary of amoris laetitia on love in the family - May 31 2022

web apr 8 2016 it is not by chance that amoris laetitia al the joy of love the post synodal apostolic exhortation on love in the family was signed on 19 march the solemnity of saint joseph it brings together the results of the two synods on the family convoked by pope francis in 2014 and 2015 it often cites their final reports documents

[un anno speciale per testimoniare l amore familiare](#) - Jan 07 2023

web dec 27 2020 nel 5 anniversario il 19 marzo 2021 della pubblicazione dell esortazione apostolica amoris laetitia sulla bellezza e la gioia dell amore familiare papa francesco inaugurerà l anno famiglia amoris laetitia che si concluderà il 26 giugno 2022 in occasione del x incontro mondiale delle famiglie a roma a cui sarà presente il santo

adhortatio apostolica post synodalis amoris laetitia vatican - Aug 02 2022

web mar 19 2016 francisci pp summi pontificis adhortatio apostolica post synodalis amoris laetitia episcopis presbyteris diaconis personis consecratis christianis coniugibus omnibus christifidelibus de amore in familia die xix mensis martii anno mxxvi

[amoris laetitia esortazione apostolica sull amore nella famiglia](#) - Feb 25 2022

web l esortazione apostolica di di papa francesco amoris laetitia una grande lettura di un grande pontefice che sta cambiando il volto della chiesa religion spirituality 2016

amoris laetitia post synodal apostolic exhortation on love in - May 11 2023

web mar 19 2016 christian married couples and all the lay faithful on love in the family post synodal apostolic exhortation of his holiness pope francis amoris laetitia on love in the family

il progetto famiglia amoris laetitia laity family life - Mar 09 2023

web l anno famiglia amoris laetitia è un iniziativa di papa francesco che intende raggiungere ogni famiglia nel mondo attraverso varie proposte di tipo spirituale pastorale e culturale che si potranno attuare nelle parrocchie nelle diocesi nelle università nell ambito dei movimenti ecclesiali e delle associazioni familiari

la famiglia nell amoris laetitia studocu - Apr 29 2022

web la famiglia nell amoris laetitia la famiglia nell amoris laetitia il libro vuole aiutare la studocu la famiglia laetitia il libro vuole aiutare la comprensione amoris laetitia di papa francesco complesso per la lunghezza le molteplici questioni trattate passa al documento chiedi all ia accedi accediregistrati homedomande basate sull ai

amoris laetitia laity family life - Dec 06 2022

web la serie dei 10 video ispirati dai vari capitoli dell esortazione apostolica amoris laetitia ci invita a rileggere il documento papale ed a riscoprire la famiglia come un dono malgrado tutti i problemi gli ostacoli e le sfide che essa oggi deve affrontare

amoris laetitia famiglia è lo spazio per camminare insieme - Aug 14 2023

web mar 25 2021 amoris laetitia n 31 57 31 il bene della famiglia è decisivo per il futuro del mondo e della chiesa sono innumerevoli le analisi che si sono fatte sul matrimonio e la famiglia sulle loro difficoltà e sfide attuali

amoris laetitia il matrimonio icona dell amore di dio - Jul 13 2023

web il matrimonio è l icona dell amore di dio per noi anche dio infatti è comunione le tre persone del padre del figlio e dello spirito santo vivono da sempre e per sempre in unità perfetta ed è proprio questo il mistero del matrimonio dio fa

la famiglia nell amoris laetitia michele aramini youtube - Mar 29 2022

web questo libro vuole rendere un servizio alla comprensione dell esortazione post sinodale amoris laetitia il testo del documento pur essendo di facile lettura

amoris laetitia family brings light in the world vatican news - Nov 05 2022

web may 31 2021 amoris laetitia family brings light in the world in 10 episodes one each month we bring you a video with the pope s reflections and first hand testimonies of families from across the world on the theme of the family the initiative is a joint collaboration between the dicastery for the laity family and life and vatican news

amoris laetitia famiglia è luce nel buio del mondo - Jun 12 2023

web may 31 2021 in tali documenti il pontefice ha definito la famiglia via della chiesa ha offerto una visione d insieme sulla vocazione all amore dell uomo e della donna ha proposto le linee fondamentali per la pastorale della famiglia

amoris laetitia esortazione apostolica del papa sull amore nella famiglia - Apr 10 2023

web may 22 2018 amoris laetitia esortazione apostolica del papa sull amore nella famiglia in nove capitoli e 325 paragrafi l esortazione post sinodale di papa francesco presenta le grandi sfide della famiglia nel mondo di oggi all insegna della misericordia e dell integrazione

[amoris laetitia the family is the space where we walk together](#) - Sep 03 2022

web mar 25 2021 [amoris laetitia 31 57 31 the welfare of the family is decisive for the future of the world and that of the church countless studies have been made of marriage and the family their current problems and challenges](#)

[argentine 2018 2019 petit futa c country guide pdf uniport edu](#) - Jun 10 2022

web argentine 2018 2019 petit futa c country guide 1 11 downloaded from uniport edu ng on september 1 2023 by guest argentine 2018 2019 petit futa c country guide getting the books argentine 2018 2019 petit futa c country guide now is not type of challenging means you could not lonesome going when book accrual or

[guide argentine 2018 2019 petit futa c retreat vedantaworld](#) - Jun 22 2023

web you could buy lead guide argentine 2018 2019 petit futa c or get it as soon as feasible you could speedily download this guide argentine 2018 2019 petit futa c

[the most underrated cities and towns to visit in argentina](#) - Jan 05 2022

web nov 27 2017 [argentina is a vast landmass made up of urban centers endless pampa and the wonderful mountainous wilds of the north and south but in between there are a wealth of lesser known towns and cities that are worth a visit if you have the time here s our pick of the best loved by over 40s](#)

[argentine 2018 2019 petit futa c country guide 2022](#) - Sep 13 2022

web argentine 2018 2019 petit futa c country guide 3 3 in west africa farrar straus and giroux finalist for the national book award for translated literature a dogged absurd quest through the nightmare of the syrian civil war khaled khalifa s death is hard work is the new novel from the greatest chronicler of syria s ongoing and

[pdf argentine 2018 2019 petit futa c country guide](#) - Aug 24 2023

web argentine 2018 2019 petit futa c country guide descorchados 2020 español brasil y chile jun 27 2022 descorchados es hoy la más importante referencia de vinos sudamericanos publicada por primera vez en 1999 por ya más de dos décadas analiza la escena vitícola de este lado del mundo un extenso y profundo reporte anual sobre los

[argentine 2018 2019 petit futa c country guide pdf pdf](#) - Dec 16 2022

web senegal this study offers a new view on the patterns determinants and family and economic effects of migration by comparing six european countries belgium france italy the netherlands spain and the uk it shows that the dynamics of migration differ greatly in new vs old destination countries based on a statistical

[argentine 2018 2019 petit futa c country guide pdf uniport edu](#) - Jan 17 2023

web mar 20 2023 [argentine 2018 2019 petit futa c country guide when people should go to the book stores search establishment by shop shelf by shelf it is essentially problematic this is why we present the ebook compilations in this website it will entirely ease you to see guide argentine 2018 2019 petit futa c country guide as you such as](#)

argentine 2018 2019 petit futa c country guide pdf uniport edu - May 09 2022

web argentine 2018 2019 petit futa c country guide 1 8 downloaded from uniport edu ng on march 31 2023 by guest
argentine 2018 2019 petit futa c country guide yeah reviewing a ebook argentine 2018 2019 petit futa c country guide could
mount up your near friends listings this is just one of the solutions for you to be successful as

argentina culture facts travel countryreports - Feb 06 2022

web sep 23 2023 european mostly spanish and italian descent and mestizo mixed european and amerindian ancestry 97 2
amerindian 2 4 african descent 0 4 spanish is the official language of argentina however many people speak some english
german french and italian are also widely spoken as are several indigenous languages

guide argentine 2018 2019 petit futa c pdf - May 21 2023

web guide argentine 2018 2019 petit futa c international arbitration in latin america mar 15 2021 energy projects in latin
america are a major contributor to economic growth worldwide this book is the first to offer a comprehensive in depth
analysis of specific issues arising from energy and natural

argentine 2018 2019 petit futa c country guide uniport edu - Apr 20 2023

web apr 8 2023 not discover the declaration argentine 2018 2019 petit futa c country guide that you are looking for it will
no question squander the time however below as soon as you visit this web page it will be fittingly agreed simple to get as
well as download lead argentine 2018 2019 petit futa c country guide it will not resign yourself to many

pdf guide argentine 2018 2019 petit futa c pdf - Oct 14 2022

web download and install guide argentine 2018 2019 petit futa c pdf thus simple tropical agroecosystems john h vandermeer
2002 12 03 tropical areas present ecological cultural and political problems that demand analysis that is distinct from

argentine 2018 2019 petit futã â country guide by dominique - Apr 08 2022

web argentine 2018 2019 petit futã â country guide by dominique auzias jean paul labourdette petit futã as one of the greater
part operational sellers here will totally be accompanied by by the best choices to review

argentine 2018 2019 petit futa c country guide full pdf - Aug 12 2022

web we provide argentine 2018 2019 petit futa c country guide and numerous book collections from fictions to scientific
research in any way in the midst of them is this argentine 2018 2019 petit futa c country guide that can be your partner

argentine 2018 2019 petit futé country guide by dominique - Feb 18 2023

web argentine 2018 2019 petit futé country guide by dominique auzias jean paul labourdette petit futé new bern nc 252 658
phone numbers detail april 28th 2020 enter a 10 digit phone number full report includes available information on owner s full
name current address

argentine 2018 2019 petit futa c country guide pdf pdf - Mar 19 2023

web apr 5 2023 instantly our digital library saves in combined countries allowing you to acquire the most less latency time to download any of our books past this one merely said the argentine 2018 2019 petit futa c country guide pdf is universally compatible with any devices to read

[guide argentine 2018 2019 petit futé by petit futé](#) - Jul 11 2022

web this guide argentine 2018 2019 petit futé by petit futé as one of the bulk operating sellers here will entirely be joined by the best choices to review nevertheless below when you visit this web page it will be appropriately no question easy to get as without difficulty as fetch guide guide

argentine 2018 2019 petit futé country guide by dominique - Nov 15 2022

web femdom erotica sissy for my sister s futa sorority book 3 english edition petit fute argentine agenda scolaire 2018 2019 chats stockholm 2018 2019 petit fute yesterdays sky astrology and reincarnation english edition moral wie man richtig gut lebt lart daimer das madchen im roten mantel seven fires grilling the argentine way the

[argentine 2018 2019 petit futa c country guide pdf](#) - Jul 23 2023

web argentine 2018 2019 petit futa c country guide unemployment insurance occasional paper sep 10 2021 resp dissertatio de jure embryonum von ungebohrner kinder rechte præc c wildvogel 1693 etc lat nov 19 2019 le service public de l emploi aux etats unis feb 21 2020

argentine 2018 2019 petit futé country guide by dominique - Mar 07 2022

web argentine 2018 2019 petit futé country guide by dominique auzias jean paul labourdette petit futé 1942 usaaf serial numbers 42 91974 to 42 110188 gfpk travels 2007 futwiz fifa 20 squad builder ultimate team database and 541