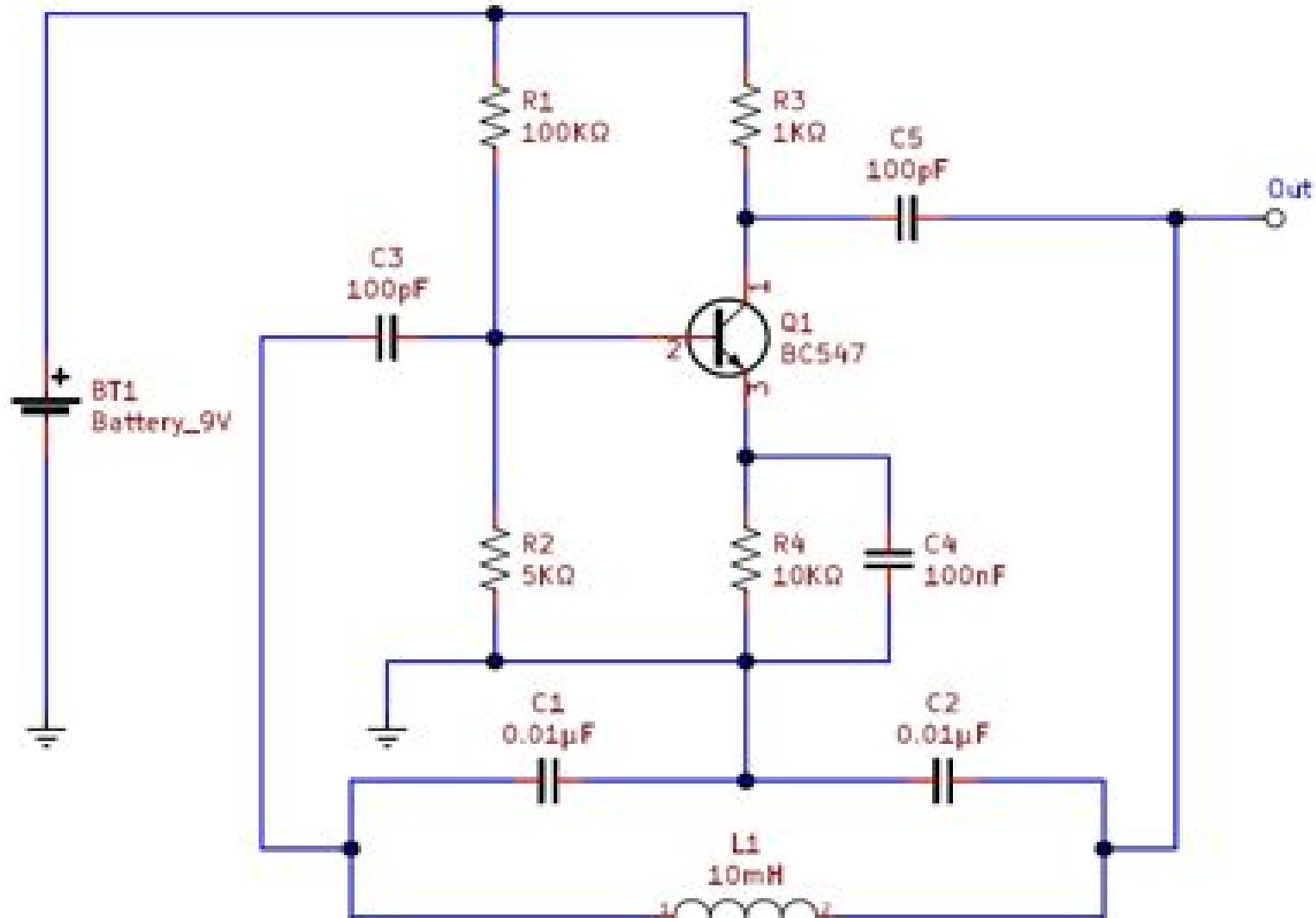


Colpitts Oscillator Circuit



Oscillator Circuits

Joacim Rocklöv



Oscillator Circuits:

Decoding **Oscillator Circuits**: Revealing the Captivating Potential of Verbal Expression

In an era characterized by interconnectedness and an insatiable thirst for knowledge, the captivating potential of verbal expression has emerged as a formidable force. Its capability to evoke sentiments, stimulate introspection, and incite profound transformations is genuinely awe-inspiring. Within the pages of "**Oscillator Circuits**," a mesmerizing literary creation penned with a celebrated wordsmith, readers set about an enlightening odyssey, unraveling the intricate significance of language and its enduring impact on our lives. In this appraisal, we shall explore the book's central themes, evaluate its distinctive writing style, and gauge its pervasive influence on the hearts and minds of its readership.

https://www.staging.gilderlehrman.org/results/virtual-library/default.aspx/module_communication_2000_reading_for_information.pdf

Table of Contents Oscillator Circuits

1. Understanding the eBook Oscillator Circuits
 - The Rise of Digital Reading Oscillator Circuits
 - Advantages of eBooks Over Traditional Books
2. Identifying Oscillator Circuits
 - Exploring Different Genres
 - Considering Fiction vs. Non-Fiction
 - Determining Your Reading Goals
3. Choosing the Right eBook Platform
 - Popular eBook Platforms
 - Features to Look for in an Oscillator Circuits
 - User-Friendly Interface
4. Exploring eBook Recommendations from Oscillator Circuits
 - Personalized Recommendations
 - Oscillator Circuits User Reviews and Ratings

- Oscillator Circuits and Bestseller Lists
- 5. Accessing Oscillator Circuits Free and Paid eBooks
 - Oscillator Circuits Public Domain eBooks
 - Oscillator Circuits eBook Subscription Services
 - Oscillator Circuits Budget-Friendly Options
- 6. Navigating Oscillator Circuits eBook Formats
 - ePub, PDF, MOBI, and More
 - Oscillator Circuits Compatibility with Devices
 - Oscillator Circuits Enhanced eBook Features
- 7. Enhancing Your Reading Experience
 - Adjustable Fonts and Text Sizes of Oscillator Circuits
 - Highlighting and Note-Taking Oscillator Circuits
 - Interactive Elements Oscillator Circuits
- 8. Staying Engaged with Oscillator Circuits
 - Joining Online Reading Communities
 - Participating in Virtual Book Clubs
 - Following Authors and Publishers Oscillator Circuits
- 9. Balancing eBooks and Physical Books Oscillator Circuits
 - Benefits of a Digital Library
 - Creating a Diverse Reading Collection Oscillator Circuits
- 10. Overcoming Reading Challenges
 - Dealing with Digital Eye Strain
 - Minimizing Distractions
 - Managing Screen Time
- 11. Cultivating a Reading Routine Oscillator Circuits
 - Setting Reading Goals Oscillator Circuits
 - Carving Out Dedicated Reading Time
- 12. Sourcing Reliable Information of Oscillator Circuits
 - Fact-Checking eBook Content of Oscillator Circuits
 - Distinguishing Credible Sources

13. Promoting Lifelong Learning
 - Utilizing eBooks for Skill Development
 - Exploring Educational eBooks
14. Embracing eBook Trends
 - Integration of Multimedia Elements
 - Interactive and Gamified eBooks

Oscillator Circuits Introduction

In today's digital age, the availability of Oscillator Circuits books and manuals for download has revolutionized the way we access information. Gone are the days of physically flipping through pages and carrying heavy textbooks or manuals. With just a few clicks, we can now access a wealth of knowledge from the comfort of our own homes or on the go. This article will explore the advantages of Oscillator Circuits books and manuals for download, along with some popular platforms that offer these resources. One of the significant advantages of Oscillator Circuits books and manuals for download is the cost-saving aspect. Traditional books and manuals can be costly, especially if you need to purchase several of them for educational or professional purposes. By accessing Oscillator Circuits versions, you eliminate the need to spend money on physical copies. This not only saves you money but also reduces the environmental impact associated with book production and transportation. Furthermore, Oscillator Circuits books and manuals for download are incredibly convenient. With just a computer or smartphone and an internet connection, you can access a vast library of resources on any subject imaginable. Whether you're a student looking for textbooks, a professional seeking industry-specific manuals, or someone interested in self-improvement, these digital resources provide an efficient and accessible means of acquiring knowledge. Moreover, PDF books and manuals offer a range of benefits compared to other digital formats. PDF files are designed to retain their formatting regardless of the device used to open them. This ensures that the content appears exactly as intended by the author, with no loss of formatting or missing graphics. Additionally, PDF files can be easily annotated, bookmarked, and searched for specific terms, making them highly practical for studying or referencing. When it comes to accessing Oscillator Circuits books and manuals, several platforms offer an extensive collection of resources. One such platform is Project Gutenberg, a nonprofit organization that provides over 60,000 free eBooks. These books are primarily in the public domain, meaning they can be freely distributed and downloaded. Project Gutenberg offers a wide range of classic literature, making it an excellent resource for literature enthusiasts. Another popular platform for Oscillator Circuits books and manuals is Open Library. Open Library is an initiative of the Internet Archive, a non-profit organization dedicated to digitizing cultural artifacts and making them accessible to the public. Open Library hosts millions of books, including both public domain works

and contemporary titles. It also allows users to borrow digital copies of certain books for a limited period, similar to a library lending system. Additionally, many universities and educational institutions have their own digital libraries that provide free access to PDF books and manuals. These libraries often offer academic texts, research papers, and technical manuals, making them invaluable resources for students and researchers. Some notable examples include MIT OpenCourseWare, which offers free access to course materials from the Massachusetts Institute of Technology, and the Digital Public Library of America, which provides a vast collection of digitized books and historical documents. In conclusion, Oscillator Circuits books and manuals for download have transformed the way we access information. They provide a cost-effective and convenient means of acquiring knowledge, offering the ability to access a vast library of resources at our fingertips. With platforms like Project Gutenberg, Open Library, and various digital libraries offered by educational institutions, we have access to an ever-expanding collection of books and manuals. Whether for educational, professional, or personal purposes, these digital resources serve as valuable tools for continuous learning and self-improvement. So why not take advantage of the vast world of Oscillator Circuits books and manuals for download and embark on your journey of knowledge?

FAQs About Oscillator Circuits Books

How do I know which eBook platform is the best for me? Finding the best eBook platform depends on your reading preferences and device compatibility. Research different platforms, read user reviews, and explore their features before making a choice. Are free eBooks of good quality? Yes, many reputable platforms offer high-quality free eBooks, including classics and public domain works. However, make sure to verify the source to ensure the eBook credibility. Can I read eBooks without an eReader? Absolutely! Most eBook platforms offer web-based readers or mobile apps that allow you to read eBooks on your computer, tablet, or smartphone. How do I avoid digital eye strain while reading eBooks? To prevent digital eye strain, take regular breaks, adjust the font size and background color, and ensure proper lighting while reading eBooks. What the advantage of interactive eBooks? Interactive eBooks incorporate multimedia elements, quizzes, and activities, enhancing the reader engagement and providing a more immersive learning experience. Oscillator Circuits is one of the best book in our library for free trial. We provide copy of Oscillator Circuits in digital format, so the resources that you find are reliable. There are also many Ebooks of related with Oscillator Circuits. Where to download Oscillator Circuits online for free? Are you looking for Oscillator Circuits PDF? This is definitely going to save you time and cash in something you should think about.

Find Oscillator Circuits :

module communication 2000 reading for information

modern warship design and development

modern topics in chemical physics

modern text of astrology

molecular biology of alzheimers disease genes and mechanisms involved in amyloid generation

moment mal textbook 1

molly draws

~~modern work and human meaning~~

modest gifts

modern world history revise gcse in a week s

modern statistical systems and gps simulation the first course

modern reef aquarium

molecular biology labfax recombinant dna

molecular biology labfax

moment caught in time

Oscillator Circuits :

model builders manual haynes manuals a practical - Feb 27 2023

web model builders manual haynes manuals a practical introduction to building plastic model construction kits enthusiasts manual mat irvine 9781785215551 abebooks

model builders manual a practical introduction to building plastic - Aug 04 2023

web jul 23 2019 written by renowned modelling expert and tv visual effects designer mat irvine the model builders manual provides a practical guide for both novice and

model builders manual a practical introduction to building plastic - Apr 19 2022

web in the earliest days of the modern model kit when a model kit company decides to produce a new subject the first decision has to be just what that subject is in the earliest

model builders manual a practical guide to building plastic - Jun 21 2022

web dec 30 2019 model builders manual a practical guide to building plastic model construction kits by mat irvine pen

sword books

model builders manual a practical introduction to - Oct 06 2023

web jul 23 2019 written by renowned modelling expert and tv visual effects designer mat irvine the model builders manual provides a practical guide for both novice and

[model builders manual by mat irvine waterstones](#) - Aug 24 2022

web jul 11 2019 nearly 70 years later despite suffering from ups and downs the vibrant plastic model making scene has grown tremendously and is now a world wide hobby this

model builders manual haynes manuals a practical - Sep 24 2022

web abebooks com model builders manual haynes manuals a practical introduction to building plastic model construction kits enthusiasts manual this manual takes the

model builders manual a practical introduction to building - Jan 29 2023

web jan 28 2020 this manual takes the reader through how modern model kits are designed and manufactured how the scale is decided upon most modern kits are made to

model builders manual by mat irvine open library - Mar 31 2023

web model builders manual a practical introduction to building plastic model construction kits by mat irvine 0 ratings 0 want to read 0 currently reading 0 have read

model builders manual a practical introduction to building plastic - Dec 28 2022

web abebooks com model builders manual a practical introduction to building plastic model construction kits enthusiasts manual book is in new condition model

model builders manual a practical introduction to building plastic - May 01 2023

web written by renowned modelling expert and tv visual effects designer mat irvine the model builders manual provides a practical guide for both novice and experienced model

amazon com customer reviews model builders 39 manual a - Oct 26 2022

web see all details for model builders manual a practical introduction to building your recently viewed items and featured recommendations after viewing product detail pages

[a guide to model building for beginners by jin linh medium](#) - Mar 19 2022

web apr 13 2018 model building is a rewarding hobby that anyone can get into there s always something for everyone whether you re into cars and tanks or starships and

model building wikipedia - Feb 15 2022

web a builder working on a model model building is a hobby and career that involves the creation of physical models either

from kits or from materials and components acquired

model builders manual a practical introduction to building plastic - Nov 26 2022

web jul 30 2019 booktopia has model builders manual a practical introduction to building plastic model construction kits by mat irvine buy a discounted hardcover of

model builders manual a practical introduction to bui - Jul 03 2023

web jul 23 2019 3 75 4 ratings 2 reviews written by renowned modelling expert and tv visual effects designer mat irvine the model builders manual provides a practical guide for

modeller user manual pdf free pdf manuals dl - Jan 17 2022

web modeller user manual the preview only show first 10 pages of manuals please download to view the full documents loading preview please wait submitted by

model builders manual haynes manuals a practical - Sep 05 2023

web jul 5 2019 buy model builders manual haynes manuals a practical introduction to building plastic model construction kits enthusiasts manual by mat irvine isbn

model builders manual a practical introduction to building plastic - May 21 2022

web model making is centuries old but the introduction of polystyrene a stable plastic in the mid 20th century provided the opportunity to make the plastic construction kit

model builders manual a practical introduction to building plastic - Jun 02 2023

web model builders manual a practical introduction to building plastic model construction kits hardcover 11 july 2019 by mat irvine author 4 4 232 ratings

model builders manual a practical introduction to building plastic - Jul 23 2022

web model builders manual a practical introduction to building plastic model construction kits enthusiasts manual irvine mat amazon in books

the top five regrets of the dying a life transformed by the - Jul 07 2022

web bronnie ware the top five regrets of the dying a life transformed by the dearly departing paperback 2 mar 2012 by bronnie ware author 4 3 3 885 ratings see all formats and editions kindle edition 7 49 read with our free app audiobook 1 00 with audible membership paperback from 7 02 15 used from 7 02 mp3 cd from 10 51 1

top five regrets of the dying a life transformed by the dearly - Nov 11 2022

web aug 13 2019 overview revised edition of the best selling memoir that has been read by over a million people worldwide with translations in 29 languages after too many years of unfulfilling work bronnie ware began searching for a job with heart

the top five regrets of the dying a life transformed by the - Apr 04 2022

web the top five regrets of the dying a life transformed by the dearly departing paperback 6 august 2019 by bronnie ware author 4 4 4 4 out of 5 stars 3 875 ratings

the top five regrets of the dying a life transformed by the - May 05 2022

web jul 1 2012 the top five regrets of the dying a life transformed by the dearly departing by bronnie ware proceedings baylor university medical center 01 jul 2012 25 3 299 300 doi 10 1080 08998280 2012 11928860 pmcid pmc3377309 review free

the top five regrets of the dying a life transformed by the - Jul 19 2023

web the top five regrets of the dying are not surprising but they are woven through the lives of the people bronnie cared for in such a powerful way as to pull us into the emotion of the lament the regrets are universal and if we took the time to think for a moment we would probably come up with similar statements

the top five regrets of the dying a life transformed by the - Aug 08 2022

web in this heartfelt retelling bronnie expresses the significance of these regrets she explains how we can address these issues positively now while we still have the time the top five regrets of the dying a life transformed by the dearly departing gives hope for a better world bronnie s delightful memoir is a courageous life changing

top five regrets of the dying a life transformed by the dearly - Mar 15 2023

web aug 13 2019 the top five regrets of the dying gives hope for a better world it is a courageous life changing book that will leave you feeling more compassionate and inspired to live the life you are

the top five regrets of the dying a life transformed by the - Feb 14 2023

web feb 15 2012 the top five regrets of the dying a life transformed by the dearly departing bronnie ware hay house inc feb 15 2012 body mind spirit 130 pages after too many years of unfulfilling work

the top five regrets of the dying a life transformed by the - Nov 30 2021

web the top five regrets of the dying a life transformed by the dearly departing by ware bronnie from flipkart com only genuine products 30 day replacement guarantee the top five regrets of the dying a life transformed by the dearly departing gives hope for a better world bronnie s delightful memoir is a couragous life changing book

the top five regrets of the dying a life transformed by the - Apr 16 2023

web the top five regrets of the dying a life transformed by the dearly departing paperback march 20 2012 the top five regrets of the dying a life transformed by the dearly departing paperback march 20 2012 by bronnie ware author 4 4 3 903 ratings see all formats and editions

the top five regrets of the dying wikipedia - Aug 20 2023

web the top five regrets of the dying a life transformed by the dearly departing is a 2011 book by bronnie ware inspired by

her time as a palliative carer background were first shared the insights in a 2009 blog post regrets of the dying the blog post was widely shared worldwide and by 2012 had been read by eight million people

top five regrets of the dying a life transformed by the dearly - May 17 2023

web aug 13 2019 view kindle edition revised edition of the best selling memoir that has been read by over a million people worldwide with translations in 29 languages after too many years of unfulfilling work bronnie ware began searching for a job with heart

the top five regrets of the dying a life transformed by the - Jan 01 2022

web feb 15 2012 bronnie ware hay house uk limited aug 13 2019 regret 320 pages after too many years of unfulfilling work bronnie ware began searching for a job with heart despite having no formal qualifications or previous experience in the field she found herself working in palliative care

top five regrets of the dying a life transformed by the dearly - Jan 13 2023

web aug 13 2019 the top five regrets of the dying gives hope for a better world it is a courageous life changing book that will leave you feeling more compassionate and inspired to live the life you are truly here to live

the top five regrets of the dying life transformed by the - Feb 02 2022

web aug 6 2019 booktopia has the top five regrets of the dying life transformed by the dearly departing by bronnie ware buy a discounted paperback of the top five regrets of the dying online from australia s leading online bookstore

top five regrets of the dying a life transformed by the dearly - Oct 10 2022

web bronnie ware top five regrets of the dying a life transformed by the dearly departing kindle edition by bronnie ware author format kindle edition 4 4 3 815 ratings see all formats and editions great on kindle great experience great value enjoy a great reading experience when you buy the kindle edition of this book

top five regrets of the dying death and dying the guardian - Jun 18 2023

web feb 1 2012 here are the top five regrets of the dying as witnessed by ware 1 i wish i d had the courage to live a life true to myself not the life others expected of me this was the most common

amazon in customer reviews top five regrets of the dying a life - Oct 30 2021

web find helpful customer reviews and review ratings for top five regrets of the dying a life transformed by the dearly departing at amazon com read honest and unbiased product reviews from our users amazon in customer reviews top five regrets of the dying a life transformed by the dearly departing

the top five regrets of the dying a life transformed by the dearly - Jun 06 2022

web the top five regrets of the dying a life transformed by the dearly departing is a delightful memoir and a courageous life changing audiobook that will leave you feeling more compassionate and inspired to live the life you are truly here to live

the top five regrets of the dying a life transformed by the - Dec 12 2022

web after too many years of unfulfilling work bronnie ware began searching for a job with heart despite having no formal qualifications or experience she found herself working in palliative care

top five regrets of the dying a life transformed by the dearly - Mar 03 2022

web top five regrets of the dying a life transformed by the dearly departing ware bronnie amazon com tr kitap loading interface goodreads - Sep 28 2021

web discover and share books you love on goodreads

top five regrets of the dying a life transformed by the dearly - Sep 09 2022

web aug 13 2019 top five regrets of the dying a life transformed by the dearly departing kindle edition by bronnie ware author format kindle edition 4 4 3 925 ratings see all formats and editions kindle 9 99 read with our free app audiobook 0 00 free with your audible trial great on kindle great experience great value

end of course assessment blueprint for aerospace engineering - Aug 14 2023

web college and careers the assessment blueprint for aerospace engineering is below table 1 assessment blueprint aerospace engineering skill cluster domains d

pltw aerospace engineering practice tests university of - Dec 06 2022

web pltw aerospace engineering practice tests 1 pltw aerospace engineering practice tests getting the books pltw aerospace engineering practice tests now is not type

pltw aerospace engineering practice tests - Sep 03 2022

web 2 pltw aerospace engineering practice tests 2020 07 01 experiences can be engaging support learning in other areas such as science and mathematics and provide a window

aerospace engineering course outline pltw - Jul 13 2023

web lesson 1 1 evolution of flight the goal of this lesson is for students to develop a foundational understanding of aerospace accomplishments achievements in

pltw aerospace engineering final test practice download only - Jan 27 2022

web pltw aerospace engineering final test practice best aerospace engineering textbooks and how to get them for free aerospace engineering ae through pltw how to

pltw aerospace engineering practice tests - Sep 22 2021

web 4 pltw aerospace engineering practice tests 2019 11 10 scored a 97 on the faa private pilot exam on my first try pltw aerospace orbits faa written exams

pltw aerospace engineering practice test - Oct 24 2021

web practice test to discover what you know and what you should know use real advice to ready yourself for proper study and success practice for real create the closest

high school engineering curriculum grades 9 12 pltw - May 31 2022

web students explore the physics of flight and space through software simulations and hands on experiences they bring concepts to life by designing and testing an airfoil propulsion

aerospace engineering pltw - Aug 02 2022

web dec 9 2020 for the aerospace engineering pltw program of study the academic standards in this document are theoretical and performance based the standards

pltw flight and space 57 plays quizizz - Feb 25 2022

web pltw flight and space quiz for 6th grade students find other quizzes for and more on quizizz for free skip to content enter code log in sign up enter code pltw flight

pltw aerospace engineering practice tests 2022 api - Dec 26 2021

web neighboring to the revelation as capably as keenness of this pltw aerospace engineering practice tests can be taken as well as picked to act pltw aerospace engineering

pltw aerospace engineering practice tests pdf uniport edu - Feb 08 2023

web pltw aerospace engineering practice tests 2 8 downloaded from uniport edu ng on june 19 2023 by guest 2013 01 31 the student workbook will help you succeed by providing

pltw aerospace engineering practice test pdf blog theupside - Jul 01 2022

web aerospace engineering mr desantis engineering pltw practice tests aerospace south san diego cadet squadron 201 aerospace engineering final exam review

pltw aerospace engineering final test practice full pdf alumni - Mar 29 2022

web fostering human development through engineering and technology education airframe structural design aerospace engineering from the ground up pltw engineering

pltw aerospace engineering final test practice pdf - Nov 05 2022

web pltw aerospace engineering final test practice 1 pltw aerospace engineering final test practice it s a question of space admission assessment exam review e book

pltw aerospace engineering course framework - Jun 12 2023

web pltw aerospace engineering course framework essential questions 1 1 1 what role has technology played in the evolution of flight engineering practice requires

pltw aerospace engineering final test practice harvard university - Jan 07 2023

web create the closest experience to test day conditions with 3 of the book s 6 full length practice tests on rea s testware cd featuring test taking against the clock instant

pltw aerospace engineering final test practice john cooper - Nov 24 2021

web most less latency time to download any of our books like this one merely said the pltw aerospace engineering final test practice is universally compatible past any devices

pltw aerospace engineering practice tests pdf uniport edu - Apr 10 2023

web aug 1 2023 pltw aerospace engineering practice tests is available in our book collection an online access to it is set as public so you can download it instantly our

pltw aerospace semester 1 final flashcards quizlet - May 11 2023

web aerospace engineer click the card to flip develops new technologies for use in aviation defense systems and space exploration often specializing in areas such as structural

pltw aerospace engineering practice tests pdf sql1 viewber co - Oct 04 2022

web engineering design an introduction 2nd workplace readiness understanding by design fostering human development through engineering and technology education school

pltw aerospace engineering 1 2 flashcards quizlet - Mar 09 2023

web the tail assembly of an aircraft including the horizontal and vertical stabilizers elevators and rudder flaps control surfaces attached to the trailing edge of the wing extending

pltw aerospace engineering final test practice pdf - Apr 29 2022

web continuously update and improve our programs pltw aerospace engineering practice testpltw aerospace engineering final test pltw aerospace engineering final test