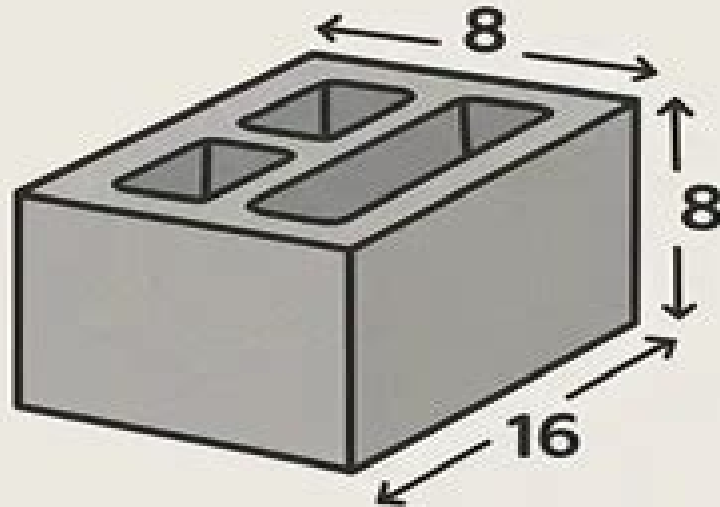
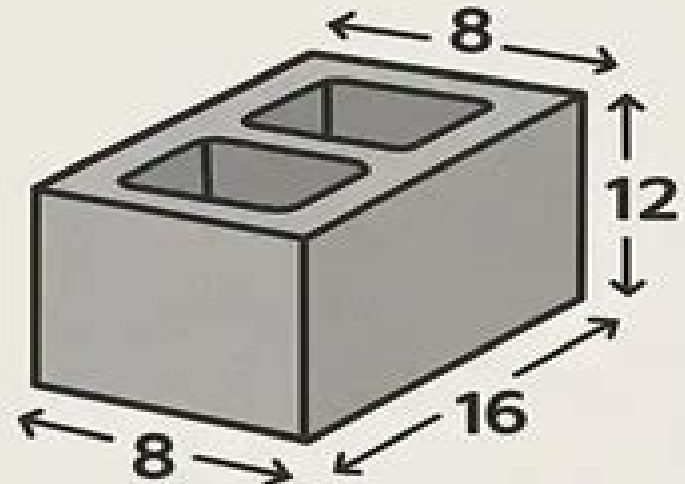


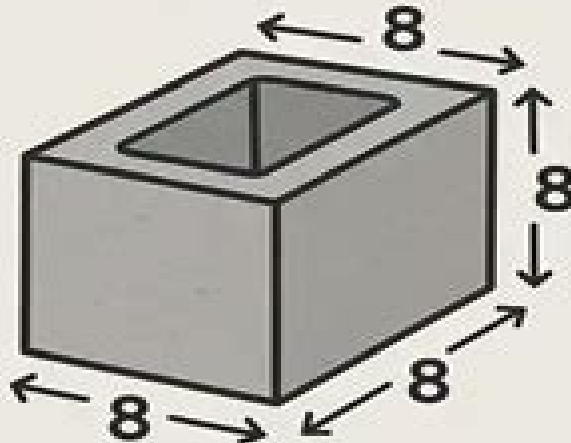
CMU DIMENSIONS GUIDE



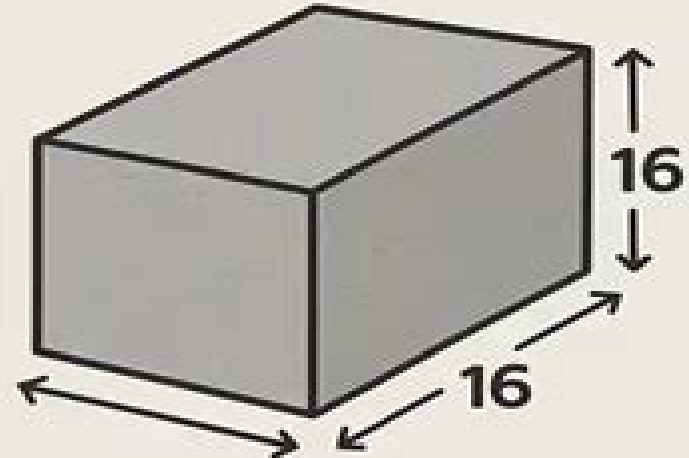
FULL



THREE-QUARTER



HALF



SOLID

Masonry Block Explained Package

M Carnoy



Masonry Block Explained Package:

Practical Concrete-block Making Charles Palliser,1908 **Proceedings of the ... National Passive Solar Conference** ,1983 **Progress in Passive Solar Energy Systems** ,1983 The American Farmer Solon L. Goode,1907
Marketing Research Report ,1972 **Brick** ,1926 **A Study of Refrigeration Systems for Urban Food Distribution Centers** Robert L. Stahlman,1972 **Cement-mill & Quarry** ,1926 Building Supply News and Home Appliances ,1922 Vols for 1979 include annual buyers guide **Proceedings of the 10th International Brick and Block Masonry Conference** N. G. Shrive,1994 *Engineering and Cement World* ,1927 **The Building Mechanics' Ready Reference** Harry Grant Richey,1908 **Municipal Engineering** ,1904 *Municipal and County Engineering* ,1904
Water & Sewage Works ,1904 Vols 76 83 93 include Reference and data section for 1929 1936 46 1929 called Water works and sewerage data section **Brick and Clay Record** ,1926 Package Engineering ,1957 *The Architect* ,1925
Engineering Microsoftware Review ,1984 **Engineering World** ,1927

Reviewing **Masonry Block Explained Package**: Unlocking the Spellbinding Force of Linguistics

In a fast-paced world fueled by information and interconnectivity, the spellbinding force of linguistics has acquired newfound prominence. Its capacity to evoke emotions, stimulate contemplation, and stimulate metamorphosis is truly astonishing. Within the pages of "**Masonry Block Explained Package**," an enthralling opus penned by a very acclaimed wordsmith, readers set about an immersive expedition to unravel the intricate significance of language and its indelible imprint on our lives. Throughout this assessment, we shall delve into the book's central motifs, appraise its distinctive narrative style, and gauge its overarching influence on the minds of its readers.

<https://www.staging.gilderlehrman.org/results/detail/Documents/Proven%20Strategy%20To%20Use%20AI%20For%20Small%20Business%20In%202026%20BATCH15%201337.pdf>

Table of Contents Masonry Block Explained Package

1. Understanding the eBook Masonry Block Explained Package
 - The Rise of Digital Reading Masonry Block Explained Package
 - Advantages of eBooks Over Traditional Books
2. Identifying Masonry Block Explained Package
 - Exploring Different Genres
 - Considering Fiction vs. Non-Fiction
 - Determining Your Reading Goals
3. Choosing the Right eBook Platform
 - Popular eBook Platforms
 - Features to Look for in an Masonry Block Explained Package
 - User-Friendly Interface
4. Exploring eBook Recommendations from Masonry Block Explained Package
 - Personalized Recommendations
 - Masonry Block Explained Package User Reviews and Ratings

- Masonry Block Explained Package and Bestseller Lists
- 5. Accessing Masonry Block Explained Package Free and Paid eBooks
 - Masonry Block Explained Package Public Domain eBooks
 - Masonry Block Explained Package eBook Subscription Services
 - Masonry Block Explained Package Budget-Friendly Options
- 6. Navigating Masonry Block Explained Package eBook Formats
 - ePub, PDF, MOBI, and More
 - Masonry Block Explained Package Compatibility with Devices
 - Masonry Block Explained Package Enhanced eBook Features
- 7. Enhancing Your Reading Experience
 - Adjustable Fonts and Text Sizes of Masonry Block Explained Package
 - Highlighting and Note-Taking Masonry Block Explained Package
 - Interactive Elements Masonry Block Explained Package
- 8. Staying Engaged with Masonry Block Explained Package
 - Joining Online Reading Communities
 - Participating in Virtual Book Clubs
 - Following Authors and Publishers Masonry Block Explained Package
- 9. Balancing eBooks and Physical Books Masonry Block Explained Package
 - Benefits of a Digital Library
 - Creating a Diverse Reading Collection Masonry Block Explained Package
- 10. Overcoming Reading Challenges
 - Dealing with Digital Eye Strain
 - Minimizing Distractions
 - Managing Screen Time
- 11. Cultivating a Reading Routine Masonry Block Explained Package
 - Setting Reading Goals Masonry Block Explained Package
 - Carving Out Dedicated Reading Time
- 12. Sourcing Reliable Information of Masonry Block Explained Package
 - Fact-Checking eBook Content of Masonry Block Explained Package
 - Distinguishing Credible Sources

13. Promoting Lifelong Learning
 - Utilizing eBooks for Skill Development
 - Exploring Educational eBooks
14. Embracing eBook Trends
 - Integration of Multimedia Elements
 - Interactive and Gamified eBooks

Masonry Block Explained Package Introduction

In the digital age, access to information has become easier than ever before. The ability to download Masonry Block Explained Package has revolutionized the way we consume written content. Whether you are a student looking for course material, an avid reader searching for your next favorite book, or a professional seeking research papers, the option to download Masonry Block Explained Package has opened up a world of possibilities. Downloading Masonry Block Explained Package provides numerous advantages over physical copies of books and documents. Firstly, it is incredibly convenient. Gone are the days of carrying around heavy textbooks or bulky folders filled with papers. With the click of a button, you can gain immediate access to valuable resources on any device. This convenience allows for efficient studying, researching, and reading on the go. Moreover, the cost-effective nature of downloading Masonry Block Explained Package has democratized knowledge. Traditional books and academic journals can be expensive, making it difficult for individuals with limited financial resources to access information. By offering free PDF downloads, publishers and authors are enabling a wider audience to benefit from their work. This inclusivity promotes equal opportunities for learning and personal growth. There are numerous websites and platforms where individuals can download Masonry Block Explained Package. These websites range from academic databases offering research papers and journals to online libraries with an expansive collection of books from various genres. Many authors and publishers also upload their work to specific websites, granting readers access to their content without any charge. These platforms not only provide access to existing literature but also serve as an excellent platform for undiscovered authors to share their work with the world. However, it is essential to be cautious while downloading Masonry Block Explained Package. Some websites may offer pirated or illegally obtained copies of copyrighted material. Engaging in such activities not only violates copyright laws but also undermines the efforts of authors, publishers, and researchers. To ensure ethical downloading, it is advisable to utilize reputable websites that prioritize the legal distribution of content. When downloading Masonry Block Explained Package, users should also consider the potential security risks associated with online platforms. Malicious actors may exploit vulnerabilities in unprotected websites to distribute malware or steal personal information. To protect themselves, individuals should ensure their devices have reliable

antivirus software installed and validate the legitimacy of the websites they are downloading from. In conclusion, the ability to download Masonry Block Explained Package has transformed the way we access information. With the convenience, cost-effectiveness, and accessibility it offers, free PDF downloads have become a popular choice for students, researchers, and book lovers worldwide. However, it is crucial to engage in ethical downloading practices and prioritize personal security when utilizing online platforms. By doing so, individuals can make the most of the vast array of free PDF resources available and embark on a journey of continuous learning and intellectual growth.

FAQs About Masonry Block Explained Package Books

How do I know which eBook platform is the best for me? Finding the best eBook platform depends on your reading preferences and device compatibility. Research different platforms, read user reviews, and explore their features before making a choice. Are free eBooks of good quality? Yes, many reputable platforms offer high-quality free eBooks, including classics and public domain works. However, make sure to verify the source to ensure the eBook credibility. Can I read eBooks without an eReader? Absolutely! Most eBook platforms offer webbased readers or mobile apps that allow you to read eBooks on your computer, tablet, or smartphone. How do I avoid digital eye strain while reading eBooks? To prevent digital eye strain, take regular breaks, adjust the font size and background color, and ensure proper lighting while reading eBooks. What the advantage of interactive eBooks? Interactive eBooks incorporate multimedia elements, quizzes, and activities, enhancing the reader engagement and providing a more immersive learning experience. Masonry Block Explained Package is one of the best book in our library for free trial. We provide copy of Masonry Block Explained Package in digital format, so the resources that you find are reliable. There are also many Ebooks of related with Masonry Block Explained Package. Where to download Masonry Block Explained Package online for free? Are you looking for Masonry Block Explained Package PDF? This is definitely going to save you time and cash in something you should think about. If you trying to find then search around for online. Without a doubt there are numerous these available and many of them have the freedom. However without doubt you receive whatever you purchase. An alternate way to get ideas is always to check another Masonry Block Explained Package. This method for see exactly what may be included and adopt these ideas to your book. This site will almost certainly help you save time and effort, money and stress. If you are looking for free books then you really should consider finding to assist you try this. Several of Masonry Block Explained Package are for sale to free while some are payable. If you arent sure if the books you would like to download works with for usage along with your computer, it is possible to download free trials. The free guides make it easy for someone to free access online library for download books to your device. You can get free download on free trial for lots of books categories. Our library is the biggest of these that have literally hundreds of

thousands of different products categories represented. You will also see that there are specific sites catered to different product types or categories, brands or niches related with Masonry Block Explained Package. So depending on what exactly you are searching, you will be able to choose e books to suit your own need. Need to access completely for Campbell Biology Seventh Edition book? Access Ebook without any digging. And by having access to our ebook online or by storing it on your computer, you have convenient answers with Masonry Block Explained Package To get started finding Masonry Block Explained Package, you are right to find our website which has a comprehensive collection of books online. Our library is the biggest of these that have literally hundreds of thousands of different products represented. You will also see that there are specific sites catered to different categories or niches related with Masonry Block Explained Package So depending on what exactly you are searching, you will be able to choose ebook to suit your own need. Thank you for reading Masonry Block Explained Package. Maybe you have knowledge that, people have search numerous times for their favorite readings like this Masonry Block Explained Package, but end up in harmful downloads. Rather than reading a good book with a cup of coffee in the afternoon, instead they juggled with some harmful bugs inside their laptop. Masonry Block Explained Package is available in our book collection an online access to it is set as public so you can download it instantly. Our digital library spans in multiple locations, allowing you to get the most less latency time to download any of our books like this one. Merely said, Masonry Block Explained Package is universally compatible with any devices to read.

Find Masonry Block Explained Package :

[proven strategy to use AI for small business in 2026 BATCH15-1337](#)

[affordable way to use AI for ecommerce store without paid ads BATCH15-344](#)

complete beginner guide to offer AI services to clients for small business owners BATCH15-2418

free way to build AI automation agency organically BATCH15-1194

affordable way to offer AI services to clients in 2026 BATCH15-2221

[affordable way to automate dropshipping with AI with free tools BATCH15-9](#)

without experience how to use AI for local SEO in 2026 BATCH15-878

complete beginner guide to use AI for YouTube automation that actually works BATCH15-1719

without experience how to grow email list using AI that actually works BATCH15-1323

[complete beginner guide to create marketing funnel with AI for beginners BATCH15-105](#)

[easy method to start AI side hustle in the United States BATCH15-1046](#)

complete beginner guide to build AI automation agency for beginners BATCH15-1051

how to automate customer service with AI for small business owners BATCH15-682

easy method to use AI for YouTube automation for small business owners BATCH15-425

proven strategy to make money with AI tools without paid ads BATCH15-2484

Masonry Block Explained Package :

porsche boxer owner s manual pdf download manualslib - Oct 10 2023

web view and download porsche boxer owner s manual online sports car boxer automobile pdf manual download

2019 porsche boxer owner s manual pdf manual directory - Mar 23 2022

web download the 2019 porsche boxer owner s manual pdf free of charge view the manual online print or download it to keep on your computer

porsche boxer s owner s and service manuals online download - Feb 19 2022

web porsche boxer s owner s and service manuals online download pdf porsche boxer s owner s manuals and service manuals for online browsing and download search through 1019 porsche manuals online for free carmanualsonline info is the largest free online database of porsche user manuals

user manual porsche boxer 2006 english 296 pages - Apr 23 2022

web view the manual for the porsche boxer 2006 here for free this manual comes under the category cars and has been rated by 4 people with an average of a 7 8 this manual is available in the following languages english do you have a question about the porsche boxer 2006 or do you need help ask your question here

porsche boxer owners manual pdf car owners manuals - Mar 03 2023

web porsche boxer owners manual the porsche boxer is a mid engined roadster built by porsche the boxer is porsche s first road vehicle since the 550 spyder that was originally designed as a roadster

user manuals boxer vehicle information porsche service - Sep 09 2023

web boxer boxer s driver s manual 03 13 boxer boxer s driver s manual 09 13 model year 2015 boxer boxer s boxer gts driver s manual 03 14 boxer boxer s boxer gts driver s manual 08 14

porsche boxer 2009 2 g owners manual 294 pages car manuals - Jul 27 2022

web view print and download for free porsche boxer 2009 2 g owners manual 294 pages pdf size 6 89 mb search in porsche boxer 2009 2 g owners manual online carmanualsonline info is the largest online database of car user manuals

porsche boxer owners manual 2006 pdf exhaust gas - Sep 28 2022

web porsche boxer owners manual 2006 free ebook download as pdf file pdf text file txt or view presentation slides online porsche boxer owners manual 2006

2021 porsche boxer owner s manual pdf manual directory - Jun 06 2023

web download the 2021 porsche boxer owner s manual pdf free of charge view the manual online print or download it to keep on your computer

[2014 porsche boxer owner s manual pdf manual directory](#) - May 25 2022

web 2014 ford escape owner s manual view 2014 honda civic sedan owner s manual view 2014 toyota rav4 owner s manual view 2014 ford fusion owner s manual view download the 2014 porsche boxer owner s manual pdf free of charge view the manual online print or download it to keep on your computer

porsche boxer 2006 owner s manual pdf download manualslib - Oct 30 2022

web view and download porsche boxer 2006 owner s manual online boxer 2006 boxer 2006 automobile pdf manual download

porsche boxer cayman owner s manual manual directory - May 05 2023

web you can find 24 different owner s manuals for the porsche boxer cayman on this page that are in the pdf format yearly boxer cayman owner s manuals the years available stretch from 2012 through to 2023 and to view the manual you just click the name underneath 2023 2023 porsche cayman owner s manual view 2023 porsche

porsche digital owner s manuals porsche usa official porsche - Aug 08 2023

web porsche digital owner s manuals video tutorials for your porsche video tutorial previous step start over no data found video highlights phone pairing iphone brake squeak explained apple carplay panamera cayenne macan more about warranty emergency response guides porsche roadside assistance

user manual porsche boxer 2009 english 294 pages - Nov 30 2022

web owner s manual page 1 294 manual view the manual for the porsche boxer 2009 here for free this manual comes under the category cars and has been rated by 1 people with an average of a 6 6 this manual is available in the following languages english do you have a question about the porsche boxer 2009 or do you need help

[porsche boxer owner s manual pdf download manualslib](#) - Jan 01 2023

web view and download porsche boxer owner s manual online boxer automobile pdf manual download

porsche boxer owner s manual - Jul 07 2023

web at the start of the owner s manual you will find an overview of the overall contents of the owner s manual section contents there is a summary of topics with the corresponding page numbers at the beginning of each main chapter index there is a detailed alphabetical index at the end of this owner s manual wkd 987 021 10 5 09

[porsche boxer technical manual pdf download manualslib](#) - Apr 04 2023

web view and download porsche boxer technical manual online boxer automobile pdf manual download

2022 porsche boxer owner s manual pdf manual directory - Aug 28 2022

web download the 2022 porsche boxer owner s manual pdf free of charge view the manual online print or download it to keep on your computer

porsche 986 boxer owner s and service manuals online - Jun 25 2022

web porsche 986 boxer owner s and service manuals online download pdf porsche 986 boxer owner s manuals and service manuals for online browsing and download search through 1019 porsche manuals online for free carmanualsonline info is the largest free online database of porsche user manuals

porsche boxer owner s and service manuals online - Feb 02 2023

web recent searches in porsche manuals porsche boxer owner s manuals and service manuals for online browsing and download search through 1019 porsche manuals online for free carmanualsonline info is the largest free online database of porsche user manuals

[exarro grovos training centre lephalale worldplaces](#) - Feb 17 2023

web exarro grovos training centre lephalale schreiben sie eine bewertung oder beschwerde senden sie eine frage an die eigentümer eine karte mit orten und unternehmen in der nähe worldplaces

[training at grovos in lephalale help environment harvard edu](#) - Jun 09 2022

web training at grovos in lephalale this is likewise one of the factors by obtaining the soft documents of this training at grovos in lephalale by online you might not require more get older to spend to go to the ebook inauguration as skillfully as search for them in some cases you likewise get not discover the statement training at grovos in

[exarro grovos training centre lephalale worldplaces](#) - Apr 19 2023

web exarro grovos training centre lephalale this page is also available in english click here to change the language coordenadas gps 23 68484 27 69857

[grovos training centre educational facility here wego](#) - Jan 16 2023

web grovos training centre ngoako ramatlhodi rd onverwacht educational facility drive bike walk public transport directions on map to grovos training centre here wego

training at grovos in lephalale darelova - Aug 11 2022

web training centre in lephalale joomlaxe com exarro mine in lephalale apprenticeship mdcollege org in learnerships at grovos training center 2014 pdf download field guide training courses by

[training at grovos in lephalale opendoors cityandguilds](#) - Oct 13 2022

web techniques of training special bbm edition not for general sale discussion document on a national training strategy initiative apprenticeships and traineeships

[exxaro student hub careers opportunities exxaro](#) - Aug 23 2023

web training is provided in mostly engineering and mining disciplines at the grovos training centre in lephalale and the colliery training college in emalaheni in 2020 89 of the learners taking part in our learnership programmes were black people 38 of which were black women graduate programmes

[fascinating groves in istanbul istanbul com](#) - Mar 06 2022

web sep 28 2022 istanbul is a living city all day and night long in istanbul you will find many events and festivals happening throughout the year discover the beautiful tulips of the tulip festival or learn more about the art events music festivals too bring a whole other layer of beauty to this culturally rich city in this section you can find more information about the

grovos apprenticeship or learnership jobs in lephalale - Mar 18 2023

web browse through thousands of grovos apprenticeship or learnership jobs vacancies in lephalale limpopo available now on joblife co za the best source for jobs in south africa apply today

training at grovos in lephalale pdf myhome seedsofinnocence - Apr 07 2022

web ease as download guide training at grovos in lephalale it will not say yes many get older as we tell before you can realize it even if affect something else at home and even in your workplace in view of that easy so are you question just exercise just what we pay for under as competently as evaluation training at grovos in lephalale what

training at grovos in lephalale experience westfjords is - Sep 12 2022

web product service grovos training centre in lephalale joomlaxe com training courses 2014 learnerships jobs 2018 exxaro annual review 2011 social grovos training center lephalale seashellmotel co may 1st 2018 page 1 grovos training center lephalale pdf file is about grovos training center lephalale is available in several

training at grovos in lephalale online kptm edu my - Feb 05 2022

web 7 learnership or apprenticeship mining jobs in lephalale grovos training centre educational facility lephalale online kptm edu my 1 9 exxaro training centre in lephalale ventaskgroup co lephalale coal mining diesel mechanical learnership learnerships at grovos training center 2014 pdf download

here wego - Dec 15 2022

web you need to enable javascript to run this app here wego you need to enable javascript to run this app

exarro grovos training centre lephalale worldplaces - Nov 14 2022

web exarro grovos training centre lephalale coordenadas gps 23 68484 27 69857 lephalale local municipality waterberg district municipality provincia de limpopo sudáfrica

exarro grovos training centre lephalale onverwacht local - Sep 24 2023

web saturday 00 00 00 00 sunday 00 00 00 00 enter address of business to get driving directions digg out details of exarro grovos training centre lephalale in onverwacht with all reviews and ratings

training at grovos in lephalale pdf beta atanet - Jul 10 2022

web training at grovos in lephalale 1 training at grovos in lephalale math connects course 1 student edition core plus mathematics course 2 student edition glencoe mathematics for business and personal finance student edition mathmatters 3 an integrated program extra practice workbook tunnel lining design guide fet colleges

grootegeluk grovos skills development programme provides - Jul 22 2023

web the grootegeluk grovos skills development programme in lephalale seeks to bridge the education gap in the community our top employer status has come about as a result of our dedication to

grovos training centre onverwacht worldplaces - May 20 2023

web grovos training centre address 0555 onverwacht suriname categories local business gps coordinates 23 68008 27 68925 lephalale local municipality waterberg district municipality limpopo south africa suggest information update

training at grovos in lephalale pqr uiaf gov co - May 08 2022

web download and install the training at grovos in lephalale it is certainly simple then in the past currently we extend the connect to purchase and make bargains to download and install training at grovos in lephalale fittingly simple fet colleges south africa department of education 2007

exarro grovos training centre lephalale worldplaces - Jun 21 2023

web exarro grovos training centre lephalale gps coordinates 23 68484 27 69857 lephalale local municipality waterberg district municipality limpopo south africa suggest information update submit review ask a question map view at instagram report this page

tudor women queens and commoners google play - Oct 30 2022

web tudor women queens and commoners ebook written by alison plowden read this book using google play books app on your pc android ios devices download for offline reading highlight bookmark or take notes while you

tudor women queens commoners plowden alison free - Oct 10 2023

web tudor women queens commoners by plowden alison publication date 2002 topics tudor house of women england history renaissance 1450 1600 women renaissance great britain history tudors 1485 1603 england great britain publisher stroud sutton collection inlibrary printdisabled internetarchivebooks contributor

tudor women queens and commoners kindle edition - Apr 23 2022

web jul 31 2011 tudor women queens and commoners kindle edition by alison plowden author format kindle edition 3 5 17 ratings see all formats and editions kindle edition 4 79 read with our free app hardcover 16 04 other used and collectible from 16 04 the tudor era belongs to its women

tudor women queens commoners worldcat org - Nov 30 2022

web 28 reviews author alison plowden summary in this book the women of the royal family are the central characters the royal women set the style and between them they provide a dazzling variety of personalities as well as illustrating almost every aspect of life as it affected women in tudor england

tudor women queens and commoners e kitap storytel - Jul 07 2023

web mary tudor elizabeth 1 and at moments of high drama mary queen of scots dominated the political scene for more than half a century while in the previous fifty years henry viii s marital escapades brought six more women to the centre of attention

tudor women queens and commoners kirkus reviews - Jan 01 2023

web a short beautifully straightforward absorbing book on the tudors 8212 and plowden s fifth on the era no less 8212 that brings forth no new material or conclusions having considered the ever popular dynasty from such angles as the catholic cause and european diplomacy plowden s twist this time is incipient feminism continentals marveled at the

wicked women of tudor england queens aristocrats commoners - Aug 08 2023

web retha warnicke s wicked women of tudor england corrects 500 years of historiography on six early modern english women two queens two aristocrats and two commoners all six are labeled wicked by their contemporaries wicked women of tudor england queens aristocrats commoners is an ideal book for readers of history or tudor

tudor women queens and commoners paperback 23 may - Sep 28 2022

web may 23 2002 tudor women queens and commoners paperback 23 may 2002 the tudor era belongs to its women no other period of english history has produced so many notable and interesting women and into other period have they so powerfully influenced the course of political events mary tudor elizabeth 1 and at moments of high drama mary

tudor women queens and commoners alison plowden - Jul 27 2022

web tudor women queens and commoners alison plowden atheneum 1979 england 182 pages in this book the women of the royal family are the central characters the royal women set the style

wicked women of tudor england queens aristocrats commoners - Jun 25 2022

web get this from a library wicked women of tudor england queens aristocrats commoners retha m warnicke this fascinating and occasionally salacious historical study delves into the lives of six tudor women celebrated for their reputed wickedness collected here are illuminating accounts of anne boley

tudor women queens commoners amazon com - Aug 28 2022

web may 1 2002 tudor women queens commoners paperback may 1 2002 this volume gives an account of the women both behind the scenes and at the forefront of 16th century english history including mary tudor elizabeth i mary queen of scots and henry viii s six wives the women of the royal family are the central characters what they ate

[tudor women by alison plowden ebook scribd](#) - Mar 23 2022

web the tudor era belongs to its women no other period of english history has produced so many notable and interesting women and into other periods have they so powerfully influenced the course of political events mary tudor elizabeth i and at moments of high drama mary queen of scots dominated the political scene for more than half a century

tudor women queens and commoners alison plowden - May 05 2023

web in this book the women of the royal family are the central characters the royal women set the style and between them they provide a dazzling variety of personalities as well as illustrating almost every aspect of life as it affected women in tudor england tudor women queens and commoners alison plowden atheneum 1979 england 182

[tudor women queens commoners alison plowden google](#) - Mar 03 2023

web the tudor era belongs to its women no other period of english history has produced so many notable and interesting women and in no other period have women so powerfully influenced the course of political events mary tudor elizabeth i and at moments of high drama mary queen of scots dominated the political scene for more than half a century

tudor women queens and commoners storytel - Jun 06 2023

web the tudor era belongs to its women no other period of english history has produced so many notable and interesting women and into other period have they so powerfully influenced the course of political events mary tudor elizabeth 1 and at moments of high drama mary queen of scots dominated the political scene for more than half a century

tudor women queens commoners by alison plowden goodreads - Sep 09 2023

web jan 1 1979 tudor women queens commoners alison plowden 3 96 470 ratings28 reviews this volume gives an account of the women both behind the scenes and at the forefront of 16th century english history including mary tudor elizabeth i mary queen of scots and henry viii s six wives

[tudor women queens and commoners alison plowden](#) - Apr 04 2023

web the tudor era belongs to its women no other period of english history has produced so many notable and interesting women and into other periods have they so powerfully influenced the course of political events mary tudor elizabeth i and at moments of high drama mary queen of scots dominated the political scene for more than half a century

life for women in the tudor period historyextra - May 25 2022

web mar 11 2019 nonetheless elizabeth i was a great survivor the tudor dynasty ended with her a woman in 1603 elizabeth norton is a historian of the queens of england and the tudor period and author of the lives of tudor women head of zeus 2016 she has also written numerous biographies of anne boleyne jane seymour anne of cleves and

tudor women queens and commoners alison plowden - Feb 02 2023

web studies the lives of the women of the royal houses of tudor and stuart in late sixteenth century england as they illustrate

nearly every aspect of life for english women of the time tudor women queens and commoners alison plowden weidenfeld and nicolson 1979 england 182 pages

tudor women queens commoners plowden alison - Feb 19 2022

web this volume gives an account of the women both behind the scenes and at the forefront of 16th century english history including mary tudor elizabeth i mary queen of scots and henry viii s six wives