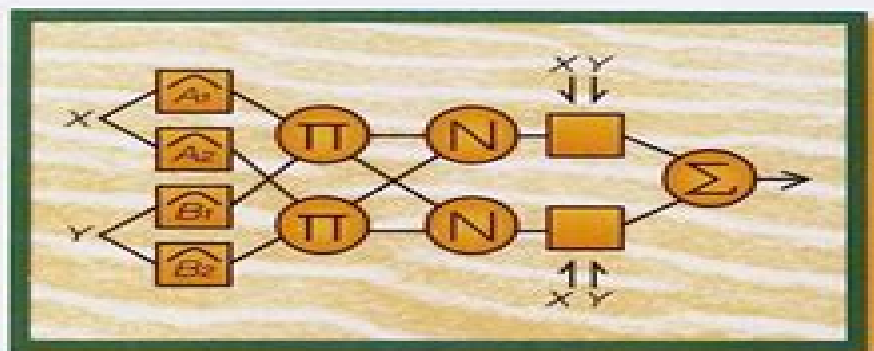


Neuro-Fuzzy AND Soft Computing

A Computational Approach to
Learning and Machine Intelligence



J.-S. R. JANG

張智星

C.-T. SUN

孫春在

E. MIZUTANI

水谷英二



MATLAB®
CURRICULUM
SERIES

Neuro Fuzzy And Soft Computing A Computational Approach To Learning And Machine Intelligence

**Michael H. Smith, W. A.
Gruver, Lawrence O. Hall**



Neuro Fuzzy And Soft Computing A Computational Approach To Learning And Machine Intelligence:

This is likewise one of the factors by obtaining the soft documents of this **Neuro Fuzzy And Soft Computing A Computational Approach To Learning And Machine Intelligence** by online. You might not require more get older to spend to go to the books creation as well as search for them. In some cases, you likewise realize not discover the message Neuro Fuzzy And Soft Computing A Computational Approach To Learning And Machine Intelligence that you are looking for. It will unquestionably squander the time.

However below, bearing in mind you visit this web page, it will be so unconditionally easy to acquire as skillfully as download lead Neuro Fuzzy And Soft Computing A Computational Approach To Learning And Machine Intelligence

It will not tolerate many become old as we explain before. You can pull off it even if produce an effect something else at home and even in your workplace. consequently easy! So, are you question? Just exercise just what we pay for under as competently as evaluation **Neuro Fuzzy And Soft Computing A Computational Approach To Learning And Machine Intelligence** what you past to read!

https://www.staging.gilderlehrman.org/results/virtual-library/default.aspx/Politics_Of_Compromise.pdf

Table of Contents Neuro Fuzzy And Soft Computing A Computational Approach To Learning And Machine Intelligence

1. Understanding the eBook Neuro Fuzzy And Soft Computing A Computational Approach To Learning And Machine Intelligence
 - The Rise of Digital Reading Neuro Fuzzy And Soft Computing A Computational Approach To Learning And Machine Intelligence
 - Advantages of eBooks Over Traditional Books
2. Identifying Neuro Fuzzy And Soft Computing A Computational Approach To Learning And Machine Intelligence
 - Exploring Different Genres
 - Considering Fiction vs. Non-Fiction
 - Determining Your Reading Goals

3. Choosing the Right eBook Platform
 - Popular eBook Platforms
 - Features to Look for in an Neuro Fuzzy And Soft Computing A Computational Approach To Learning And Machine Intelligence
 - User-Friendly Interface
4. Exploring eBook Recommendations from Neuro Fuzzy And Soft Computing A Computational Approach To Learning And Machine Intelligence
 - Personalized Recommendations
 - Neuro Fuzzy And Soft Computing A Computational Approach To Learning And Machine Intelligence User Reviews and Ratings
 - Neuro Fuzzy And Soft Computing A Computational Approach To Learning And Machine Intelligence and Bestseller Lists
5. Accessing Neuro Fuzzy And Soft Computing A Computational Approach To Learning And Machine Intelligence Free and Paid eBooks
 - Neuro Fuzzy And Soft Computing A Computational Approach To Learning And Machine Intelligence Public Domain eBooks
 - Neuro Fuzzy And Soft Computing A Computational Approach To Learning And Machine Intelligence eBook Subscription Services
 - Neuro Fuzzy And Soft Computing A Computational Approach To Learning And Machine Intelligence Budget-Friendly Options
6. Navigating Neuro Fuzzy And Soft Computing A Computational Approach To Learning And Machine Intelligence eBook Formats
 - ePub, PDF, MOBI, and More
 - Neuro Fuzzy And Soft Computing A Computational Approach To Learning And Machine Intelligence Compatibility with Devices
 - Neuro Fuzzy And Soft Computing A Computational Approach To Learning And Machine Intelligence Enhanced eBook Features
7. Enhancing Your Reading Experience
 - Adjustable Fonts and Text Sizes of Neuro Fuzzy And Soft Computing A Computational Approach To Learning And Machine Intelligence

- Highlighting and Note-Taking Neuro Fuzzy And Soft Computing A Computational Approach To Learning And Machine Intelligence
 - Interactive Elements Neuro Fuzzy And Soft Computing A Computational Approach To Learning And Machine Intelligence
8. Staying Engaged with Neuro Fuzzy And Soft Computing A Computational Approach To Learning And Machine Intelligence
 - Joining Online Reading Communities
 - Participating in Virtual Book Clubs
 - Following Authors and Publishers Neuro Fuzzy And Soft Computing A Computational Approach To Learning And Machine Intelligence
 9. Balancing eBooks and Physical Books Neuro Fuzzy And Soft Computing A Computational Approach To Learning And Machine Intelligence
 - Benefits of a Digital Library
 - Creating a Diverse Reading Collection Neuro Fuzzy And Soft Computing A Computational Approach To Learning And Machine Intelligence
 10. Overcoming Reading Challenges
 - Dealing with Digital Eye Strain
 - Minimizing Distractions
 - Managing Screen Time
 11. Cultivating a Reading Routine Neuro Fuzzy And Soft Computing A Computational Approach To Learning And Machine Intelligence
 - Setting Reading Goals Neuro Fuzzy And Soft Computing A Computational Approach To Learning And Machine Intelligence
 - Carving Out Dedicated Reading Time
 12. Sourcing Reliable Information of Neuro Fuzzy And Soft Computing A Computational Approach To Learning And Machine Intelligence
 - Fact-Checking eBook Content of Neuro Fuzzy And Soft Computing A Computational Approach To Learning And Machine Intelligence
 - Distinguishing Credible Sources
 13. Promoting Lifelong Learning

- Utilizing eBooks for Skill Development
 - Exploring Educational eBooks
14. Embracing eBook Trends
- Integration of Multimedia Elements
 - Interactive and Gamified eBooks

Neuro Fuzzy And Soft Computing A Computational Approach To Learning And Machine Intelligence Introduction

In this digital age, the convenience of accessing information at our fingertips has become a necessity. Whether its research papers, eBooks, or user manuals, PDF files have become the preferred format for sharing and reading documents. However, the cost associated with purchasing PDF files can sometimes be a barrier for many individuals and organizations. Thankfully, there are numerous websites and platforms that allow users to download free PDF files legally. In this article, we will explore some of the best platforms to download free PDFs. One of the most popular platforms to download free PDF files is Project Gutenberg. This online library offers over 60,000 free eBooks that are in the public domain. From classic literature to historical documents, Project Gutenberg provides a wide range of PDF files that can be downloaded and enjoyed on various devices. The website is user-friendly and allows users to search for specific titles or browse through different categories. Another reliable platform for downloading Neuro Fuzzy And Soft Computing A Computational Approach To Learning And Machine Intelligence free PDF files is Open Library. With its vast collection of over 1 million eBooks, Open Library has something for every reader. The website offers a seamless experience by providing options to borrow or download PDF files. Users simply need to create a free account to access this treasure trove of knowledge. Open Library also allows users to contribute by uploading and sharing their own PDF files, making it a collaborative platform for book enthusiasts. For those interested in academic resources, there are websites dedicated to providing free PDFs of research papers and scientific articles. One such website is Academia.edu, which allows researchers and scholars to share their work with a global audience. Users can download PDF files of research papers, theses, and dissertations covering a wide range of subjects. Academia.edu also provides a platform for discussions and networking within the academic community. When it comes to downloading Neuro Fuzzy And Soft Computing A Computational Approach To Learning And Machine Intelligence free PDF files of magazines, brochures, and catalogs, Issuu is a popular choice. This digital publishing platform hosts a vast collection of publications from around the world. Users can search for specific titles or explore various categories and genres. Issuu offers a seamless reading experience with its user-friendly interface and allows users to download PDF files for offline reading. Apart from dedicated platforms, search engines also play a crucial role in finding free PDF files. Google, for instance, has an advanced search feature that allows users to filter results by file type. By specifying the file type as "PDF,"

users can find websites that offer free PDF downloads on a specific topic. While downloading Neuro Fuzzy And Soft Computing A Computational Approach To Learning And Machine Intelligence free PDF files is convenient, its important to note that copyright laws must be respected. Always ensure that the PDF files you download are legally available for free. Many authors and publishers voluntarily provide free PDF versions of their work, but its essential to be cautious and verify the authenticity of the source before downloading Neuro Fuzzy And Soft Computing A Computational Approach To Learning And Machine Intelligence. In conclusion, the internet offers numerous platforms and websites that allow users to download free PDF files legally. Whether its classic literature, research papers, or magazines, there is something for everyone. The platforms mentioned in this article, such as Project Gutenberg, Open Library, Academia.edu, and Issuu, provide access to a vast collection of PDF files. However, users should always be cautious and verify the legality of the source before downloading Neuro Fuzzy And Soft Computing A Computational Approach To Learning And Machine Intelligence any PDF files. With these platforms, the world of PDF downloads is just a click away.

FAQs About Neuro Fuzzy And Soft Computing A Computational Approach To Learning And Machine Intelligence Books

What is a Neuro Fuzzy And Soft Computing A Computational Approach To Learning And Machine Intelligence PDF? A PDF (Portable Document Format) is a file format developed by Adobe that preserves the layout and formatting of a document, regardless of the software, hardware, or operating system used to view or print it. **How do I create a Neuro Fuzzy And Soft Computing A Computational Approach To Learning And Machine Intelligence PDF?** There are several ways to create a PDF: Use software like Adobe Acrobat, Microsoft Word, or Google Docs, which often have built-in PDF creation tools. Print to PDF: Many applications and operating systems have a "Print to PDF" option that allows you to save a document as a PDF file instead of printing it on paper. Online converters: There are various online tools that can convert different file types to PDF. **How do I edit a Neuro Fuzzy And Soft Computing A Computational Approach To Learning And Machine Intelligence PDF?** Editing a PDF can be done with software like Adobe Acrobat, which allows direct editing of text, images, and other elements within the PDF. Some free tools, like PDFescape or Smallpdf, also offer basic editing capabilities. **How do I convert a Neuro Fuzzy And Soft Computing A Computational Approach To Learning And Machine Intelligence PDF to another file format?** There are multiple ways to convert a PDF to another format: Use online converters like Smallpdf, Zamzar, or Adobe Acrobats export feature to convert PDFs to formats like Word, Excel, JPEG, etc. Software like Adobe Acrobat, Microsoft Word, or other PDF editors may have options to export or save PDFs in different formats. **How do I password-protect a Neuro Fuzzy And Soft Computing A Computational Approach To**

Learning And Machine Intelligence PDF? Most PDF editing software allows you to add password protection. In Adobe Acrobat, for instance, you can go to "File" -> "Properties" -> "Security" to set a password to restrict access or editing capabilities. Are there any free alternatives to Adobe Acrobat for working with PDFs? Yes, there are many free alternatives for working with PDFs, such as: LibreOffice: Offers PDF editing features. PDFsam: Allows splitting, merging, and editing PDFs. Foxit Reader: Provides basic PDF viewing and editing capabilities. How do I compress a PDF file? You can use online tools like Smallpdf, ILovePDF, or desktop software like Adobe Acrobat to compress PDF files without significant quality loss. Compression reduces the file size, making it easier to share and download. Can I fill out forms in a PDF file? Yes, most PDF viewers/editors like Adobe Acrobat, Preview (on Mac), or various online tools allow you to fill out forms in PDF files by selecting text fields and entering information. Are there any restrictions when working with PDFs? Some PDFs might have restrictions set by their creator, such as password protection, editing restrictions, or print restrictions. Breaking these restrictions might require specific software or tools, which may or may not be legal depending on the circumstances and local laws.

Find Neuro Fuzzy And Soft Computing A Computational Approach To Learning And Machine Intelligence :

politics of compromise

politics of broadcasting

politics and letters interviews with new left review

pooh the sweetest christmas

politics of congressional elections 6th edition

political writings of the 1790s

politics personality and nation building

poor fish

poohs 101 uses for a honey pot

politics persuasion and educational testing

politik mit dem wohlfahrtstaats edition suhrkamp

~~politics of child support in america~~

~~politics of electoral systems a handbook~~

~~politics of empowerment~~

~~pooh gets stuck~~

Neuro Fuzzy And Soft Computing A Computational Approach To Learning And Machine Intelligence :

elevul dima dintr a șaptea mihail drumeș editura art - Jan 08 2023

web publicat pentru prima dată în 1946 elevul dima dintr a șaptea nu și a pierdut niciun moment farmecul povestea de dragoste dintre grig și lotte spiritul aventuros idealismul impertinența naivitatea și entuziasmul tinerilor din romanul lui drumeș rămân la

elevul dima dintr a șaptea idei principale liceunet ro - Feb 26 2022

web idei principale elevul dima dintr a șaptea este un roman scris de mihail drumeș prima publicare a operei a avut loc în anul 1946 urmând ca aceasta să fie îndrăgită de numeroși cititori în special de către cei tineri cartea surprinde eșecul unei utopii prin prisma contrastului dintre idealismul tinerilor și realitatea

elevul dima dintr a șaptea rezumat liceunet ro - Oct 05 2022

web ai nevoie de rezumatul complet al romanului elevul dima dintr a șaptea scris de mihail drumeș echipa liceunet îți pune la dispoziție un rezumat în care găsești povestirea în detaliu a celor mai importante evenimente care se petrec de a lungul romanului astfel că îți va fi foarte ușor să înțelegi subiectul și să dai cele mai bune răspunsuri la cerințele pe

elevul dima dintr a șaptea mihail drumeș cărțile tinerilor - Feb 09 2023

web dec 1 2015 elevul dima dintr a șaptea mihail drumeș 1 decembrie 2015 de florina dinu titlul elevul dima dintr a șaptea autor mihail drumeș editura grupul editorial art an apariție 2021 număr de pagini 616 În anul 1946 vede lumina tiparului romanul elevul dima dintr a șaptea la editura bucur ciobanul editură la care

rezumat elevul dima dintr a șaptea de mihail drumes pdf - Apr 30 2022

web rezumat elevul dima dintr a șaptea teme prietenia iubirea aventura autor mihail drumeș personaje grigore dima charlotte attila magotu gigi nicu grigore dima fiu de diplomat este trimis de către părinții sai la craiova pentru a urma clasa a șaptea la liceul mihai bravu acolo băiatul stau în gazda la dona bianca unde îi întâlnește pe gigi

elevul dima dintr a șaptea de mihail drumes rezumat - Jun 13 2023

web aug 17 2015 În clasa a viii a dima a fost mutat la leagăn unde s a împrietenit cu elevul din clasa a vi a catalin soimaru care se sinucide din dragoste pentru directoarea leagănului toți arpetistii l au condus pe ultimul drum și i au ținut de urât la mormântul lui până a doua zi

elevul dima dintr a șaptea mihail drumes academia edu - Apr 11 2023

web elevul dima dintr a șaptea mihail drumes andrei saulean int o noapte pe cand visam cu ochii deschi i am planuit cum si fac cunogtingi cu ea peste doi ani cind voi fi student mi voi duce la operi cu un buchet mare de gladiole

mihail drumes elevul dima dintr a șaptea academia edu - Jul 14 2023

web mihail drumes elevul dima dintr a șaptea ioan prelipcean see full pdf download pdf see full pdf download pdf loading

preview

[elevul dima dintr a saptea mihail drumes librerie net](#) - Jul 02 2022

web publicat pentru prima dată în 1946 elevul dima dintr a șaptea nu și a pierdut niciun moment farmecul povestea de dragoste dintre grig și lotte spiritul aventuros idealismul impertinența naivitatea și entuziasmul tinerilor din romanul lui drumeș rămân la

elevul dima dintr a saptea mihail drumes archive org - Aug 15 2023

web nov 28 2021 pdf addeddate 2021 11 28 08 25 06 identifier elevul dima dintr a saptea mihail drumes identifier ark ark 13960 s2mn1190z9h ocr tesseract 5 0 0 rc2 1 gf788

editions of elevul dima dintr a vii a by mihail drumeș goodreads - Nov 06 2022

web jan 1 2019 elevul dima dintr a șaptea hardcover published 2009 by litera jurnalul național hardcover 480 pages more details want to read rate this book 1 of 5 stars 2 of 5 stars 3 of 5 stars 4 of 5 stars 5 of 5 stars

elevul dima dintr a saptea pdf mihail drumeș carti de citit - Aug 03 2022

web elevul dima dintr a saptea autor mihail drumeș cartea elevul dima dintr a saptea a fost scrisa de autorul mihail drumeș și publicata de editura art in 2021 cartea are 608 pagini dimensiuni h 21cm l 14cm si poate fi cumparata online din zeci de librării la un pret mic

mihail drumes elevul dima dintr a saptea pdf documents and - Sep 04 2022

web mihail drumes elevul dima dintr a saptea pdf october 2021 pdf bookmark this document was uploaded by user and they confirmed that they have the permission to share it if you are author or own the copyright of this book please report to us by using this dmca report form report dmca

elevul dima dintr a saptea de mihail drumes anticariat - Jan 28 2022

web cartea elevul dima dintr a saptea de mihail drumes a apărut la editura jurnalul național în seria de beletristica autori romani se află în stare nouă conține 480 pagini și poate fi comandată online

elevul dima dintr a saptea fisa de lectura odt pdf scribd - Dec 27 2021

web opera epica elevul dima dintr a saptea naratorul mihail drumes locul desfasurarii actiunii actiunea se desfasoara la craiova timpul desfasurarii actiunii in primul an de studiu la o scoala de acolo a eroului principal rezumat elevul dima numit grig dima este adus de catre tatal sau pentru a studia la craiova unde sta in gazda la

rezumat elevul dima dintr a șaptea de mihail drumeș - Jun 01 2022

web aug 11 2021 rezumat la celebrul roman elevul dima dintr a șaptea al romancierului mihail drumeș personaje personajul principal grig elev in clasa a saptea este un tanar curajos elevul dima numit grig dima este adus de catre tatal sau pentru a studia la craiova unde sta in gazda la dona bianca

rezumat elevul dima dintr a șaptea de mihail drumeș - Mar 30 2022

web rezumat 1 elevul dima dintr a șaptea cartea prezinta aventurile pe care un adolescent de 19 ani in acea vreme clasele nu erau structurate ca in ziua de azi le traieste atunci cand ajunge la craiova dupa ce prima parte din viata si

elevul dima dintr a șaptea mihail drumes 9786067106268 libris - May 12 2023

web aparut cu mai bine de cincizeci de ani in urma elevul dima dintr a șaptea nu si a pierdut niciun moment farmecul povestea de dragoste dintre grig si lotte apetenta pentru aventuri nemaivazute idealismul impertinenta si naivitatea entuziasmul tinerilor din romanul lui drumes raman la fel de actuale

[elevul dima dintr a șaptea mihail drumeș emag.ro](#) - Dec 07 2022

web elevul dima dintr a șaptea mihail drumes publicat pentru prima data in 1946 elevul dima dintr a șaptea nu si a pierdut niciun moment farmecul povestea de dragoste dintre grig si lotte spiritul aventuros idealismul impertinenta naivitatea si entuziasmul tinerilor din romanul lui drumes raman la fel de actuale

elevul dima dintr a șaptea by mihail drumeș goodreads - Mar 10 2023

web sunt mai multe planuri urmărite din viața lui grigore dima un elev din clasa a șaptea ne e arătată firea lui pasională iubirile imaginare și reale e un băiat tare hotărât cu multe pretenții de la partenerere e o fată în prim plan a zăpăcit o rău apoi avem timpul petrecut la școală interacțiunea cu profesorii și colegii

[amazon.com/boat-building/kindle-store](#) - Jun 10 2023

web fast long distance controllable beautiful soap boat 1st book model boats sail with no burning fuel no electric power and no wind blow by heru maruza kindle edition

boat building master course english edition - Jun 29 2022

web lifetime as a master boat builder and naval architect that will help you solve complicated problems the easy way and included in this exclusive version of the master course is 3 full sets of boat plans here is what s included in this exclusive boat building master course beginner s guide to boat building boat building like our grandfathers

masters degrees in boatbuilding 13 courses postgrad - Sep 01 2022

web discover masters degrees in boatbuilding across our extensive database with a range of university and course options to select from get started today

the art of boat building courses class central - Oct 02 2022

web discover free online courses taught by the art of boat building watch videos do assignments earn a certificate while learning from some of the best

boat building master course abebooks - Apr 08 2023

web boat building master course by morten olesen and a great selection of related books art and collectibles available now at

abebooks.com

masters degrees in ship and boat building marine and offshore - Dec 04 2022

web masters engineering ship and boat building marine and offshore engineering and maintenance course location university clear related subjects masters ship and boat building marine and offshore engineering and maintenance masters aerospace engineering masters aerospace and defence engineering masters avionics

boat building master course by morten olesen booktopia - Mar 07 2023

web may 18 2011 booktopia has boat building master course by morten olesen buy a discounted paperback of boat building master course online from australia's leading online bookstore

boat master issa motor yacht course sia sail in asia - Jul 31 2022

web the boat master issa motor yacht course is aimed at candidates that have crewed on a small boat but have a very elementary understanding of sailing or powerboat handling the aim of this course is to increase the candidates nautical knowledge to competently take on the duties of a beginner boat master on a motor yacht during the day and up

boat building master course english edition pdf wrbb neu - May 29 2022

web right here we have countless book boat building master course english edition and collections to check out we additionally find the money for variant types and plus type of the books to browse the standard book fiction history novel scientific research as competently as various new sorts of books are readily affable here

boat building master course amazon.com - Sep 13 2023

web may 18 2011 boat building master course olesen morten on amazon.com free shipping on qualifying offers boat building master course

free boat building course teaches you how to build a boat - Aug 12 2023

web order boat plans today and get your free boat building master course with your download this free master boat building course ensures even first time boat builders learn how to build a boat

boat building master course english edition pdf 2023 - Apr 27 2022

web jun 18 2023 boat building master course english edition pdf this is likewise one of the factors by obtaining the soft documents of this boat building master course english edition pdf by online you might not require more mature to spend to go to the ebook launch as without difficulty as search for them in some

boat building master course english edition 2022 yvc moeys.gov - Mar 27 2022

web boat building master course english edition 1 1 map index pdf boat building master course english edition this is likewise one of the factors by obtaining the soft documents of this boat building master course english edition by online you might not require more epoch to spend to go to the book inauguration as skillfully as search for them

boat building master course kindle edition amazon ca - May 09 2023

web may 18 2011 everything you need to know is included in this impressive boat building master course written in everyday language not techy jargon it gives you complete knowledge of boat building from bow to stern including easy to follow instructions sketches and photos that cover every step of the process so you can actually see how

naval architecture and marine engineering singapore institute - Jan 05 2023

web mar 19 2023 the bachelor of engineering with honours in naval architecture and marine engineering is a three year direct honours degree programme jointly offered by sit and newcastle university that will equip you with the expertise and skills necessary for the highly competitive global maritime industry engineers and naval architects in the marine

pdf boat building master course english edition - Feb 23 2022

web boat building master course english edition widgets inc apr 11 2020 widgets inc a task based course in workplace english is a business communication course for english as a second or foreign language esl efl classes it is

boat building master course kindle edition amazon co uk - Jul 11 2023

web may 18 2011 that s when i developed the boat building master course everything you need to know is included in this impressive boat building master course written in everyday language not techy jargon it gives you complete knowledge of boat building from bow to stern including easy to follow instructions sketches and photos that cover

boat building master course kindle edition amazon in - Feb 06 2023

web boat building master course ebook olesen morten amazon in kindle store skip to main content in delivering to mumbai 400001 update location kindle store select the department you want to search in search amazon in en

boat building master course kindle edition amazon com au - Oct 14 2023

web here is what s included in this exclusive boat building master course beginner s guide to boat building boat building like our grandfathers did building your new boat building materials building places lofting manual tools the boat plans assembly manual gluing the seams laminating manual fillets at the chine and inside applying fiberglass

40 week boat building course - Nov 03 2022

web course content the 40 week course incorporates the level 3 diploma in boatbuilding advanced 2473 03 the syllabus goes far beyond the requirements of the city guilds qualification providing comprehensive practical instruction in traditional and contemporary boat building construction methods and composite materials and related skills

intermediate accounting 14th edition solutions and answers - Sep 13 2023

web now with expert verified solutions from intermediate accounting 14th edition you ll learn how to solve your toughest homework problems our resource for intermediate

intermediate accounting 14th edition volume 1 cue 14th - Jan 05 2023

web description intermediate accounting by donald kieso jerry weygandt and terry warfield has always been and continues to be the gold standard through significant

update 2 intermediate accounting 14th edition wiley - Aug 12 2023

web this version of the 14e update consists of the following three elements 1 completed projects provide the latest information about new accounting standards promulgated

open library akuntansi intermediate jilid 2 12 e - Sep 01 2022

web oct 23 2023 update 2 intermediate accounting 14th edition update 2 intermediate accounting 14th edition 2 downloaded from ead3 archivists org on 2022 04 25

intermediate accounting 14th edition chapter 2 gradesaver - Feb 06 2023

web oct 4 2011 amazon com intermediate accounting 14th edition volume 1 cue 9781118121825 kieso donald e weygandt jerry j warfield terry d books

pdf intermediate accounting ii researchgate - Nov 22 2021

intermediate accounting 14th edition chapter 2 gradesaver - Oct 02 2022

web akuntansi intermediate jilid 2 12 e pelajaran akuntansi dari buku intermediate accounting karya kieso weygandt dan warfield mempersiapkan mahasiswa

intermediate accounting test bank 14th edition 2022 - Mar 27 2022

web intermediate accounting 2nd edition isbn 13 9781285453828 isbn 1285453824 authors donald pagach james m wahlen jefferson p jones rent buy intermediate

update 2 intermediate accounting 14th edition pdf - Jul 31 2022

web update 2 intermediate accounting 14th edition a stunning fictional prize brimming with raw feelings lies an immersive symphony waiting to be embraced crafted by a

kieso weygandt warfield intermediate accounting 14th edition - Oct 14 2023

web intermediate accounting 14th edition home browse by chapter browse by chapter browse by resource browse by resource chapter 14 long term liabilities

intermediate accounting 14th fourteenth edition by kieso - Mar 07 2023

web intermediate accounting 14th edition chapter 2 conceptual framework for financial reporting exercises page 71 e2 3b gradesaver intermediate accounting 14th

update 2 intermediate accounting 14th edition download only - Jun 29 2022

web update 2 intermediate accounting 14th edition update 2 intermediate accounting 14th edition 2 downloaded from forms

iibr edu in on 2021 10 17 by guest the 11th

intermediate accounting 14th edition solutions manual ch11 pdf - May 09 2023

web intermediate accounting 14th edition volume 2 cue oct 25 2022 intermediate accounting 14th edition binder ready version with binder ready survey flyer set

intermediate accounting 14th edition solutions ch22 - Jan 25 2022

web 2 contents paragraphs introduction 1 3 definitions 4 prospectuses 5 6 audited financial statements 7 13 interim financial information 14 15 financial statements re stated to

intermediate accounting 14 edition by ki academia edu - Jul 11 2023

web 1 summarize the key points of interest if the firm fell on hard times and had to file voluntary bankruptcy what ethical implications should be considered when debating whether or

intermediate accounting 18th edition wiley - Dec 04 2022

web update 2 intermediate accounting 14th edition pdf upload caliva e hayda 2 9 downloaded from devy ortax org on september 14 2023 by caliva e hayda green

auditors and public offering documents institute of singapore - Dec 24 2021

web oct 9 2019 intermediate accounting 2 pdf intermediate accounting ii pdf content uploaded by 1997 buku pintar pasar modal indonesia first edition

update 2 intermediate accounting 14th edition pantera adecco - Apr 27 2022

web intermediate accounting test bank 14th edition 1 intermediate accounting test bank 14th edition intermediate accounting test bank intermediate accounting

solved chapter 14 problem 5mc solution intermediate - Feb 23 2022

web intermediate accounting 14th edition solutions ch22 intermediate accounting 14th edition solutions ch22 5 downloaded from cie advances asme org on 2022 09 17 by

update 2 intermediate accounting 14th edition book - May 29 2022

web update 2 intermediate accounting 14th edition intermediate accounting chapters 1 14 self study problems solutions book volume intermediate accounting study guide

intermediate accounting global edition 2e - Apr 08 2023

web jan 1 1994 intermediate accounting 14th fourteenth edition by kieso donald e weygandt jerry j warfield terry d published by wiley 2011 hardcover aa on

update 2 intermediate accounting 14th edition pdf download - Nov 03 2022

web intermediate accounting 14th edition answers to chapter 2 conceptual framework for financial reporting exercises page

72 e2 4b including work step by step written by

update 2 intermediate accounting 14th edition pdf - Jun 10 2023

web update 2 intermediate accounting 14th edition intermediate accounting 14th edition binder ready version with int acct
ready notes 14th edition and wp sa 5 0 set mar