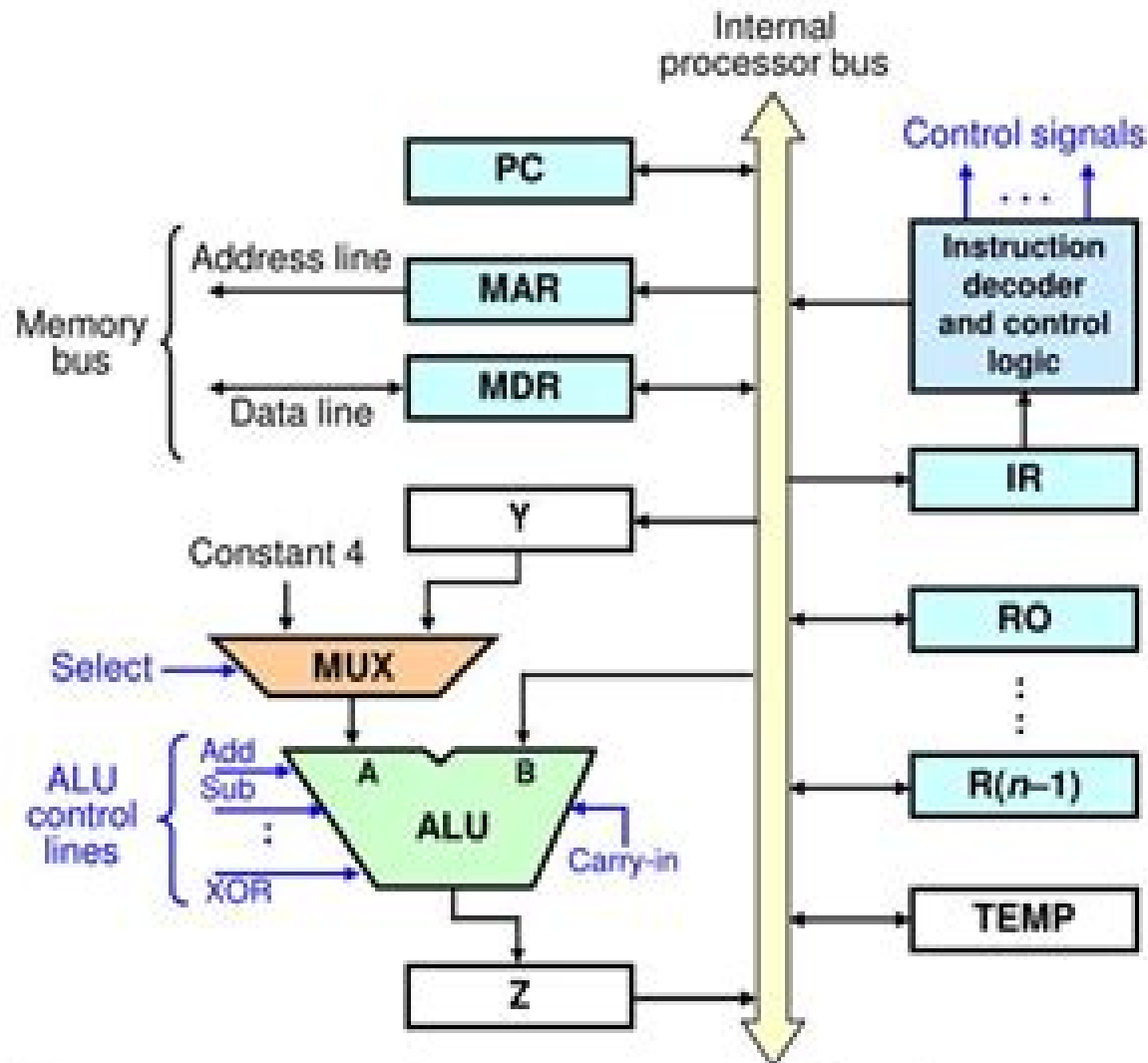


Single-bus Organization



Sg Computer Concepts And Comp Con With Ba

J Elliott



Sg Computer Concepts And Comp Con With Ba:

SG-Computer Concepts and Comp. CON with BA Gary B. Shelly,1989-05-01 **Bell Laboratories Talks and Papers**
Bell Telephone Laboratories. Libraries and Information Systems Center,1972 **Engineering Education** ,1977

Readings in Object-Oriented Database Systems Stanley B. Zdonik,David Maier,1990 This comprehensive collection is a survey of research in object oriented databases offering a substantive overview of the field section introductions and over 40 research papers presented in their original scope and detail The balanced selection of articles presents a confluence of ideas from both the language and database research communities that have contributed to the object oriented paradigm The editors develop a general definition and model for object oriented databases and relate significant research efforts to this framework Further the collection explores the fundamental notions behind object oriented databases semantic data models implementation of object oriented systems transaction processing interfaces and related approaches Research and theory are balanced by applications to CAD systems programming environments and office information systems **Who Owns Whom** ,2006 **BTL Talks and Papers** Bell Telephone Laboratories, inc. Technical Information Libraries,1971 *IEEE Membership Directory* Institute of Electrical and Electronics Engineers,1988 **An Introductory Guide to EC Competition Law and Practice** Valentine Korah,1994 *Southern Pulp and Paper Manufacturer* ,1964 **The Northwestern Miller** ,1896 **Major Information Technology Companies of the World** ,2009 **American Lumberman** ,1914 **The Economist** ,1919 **Job Openings for Economists** ,1997 **73 Magazine for Radio Amateurs** ,1981 *British Book News* ,1990 **The Cumulative Book Index** ,1984 A world list of books in the English language *Index of Conference Proceedings* ,1996 *Byte* ,1980 *The London and China Telegraph* ,1892

Unveiling the Magic of Words: A Overview of "**Sg Computer Concepts And Comp Con With Ba**"

In some sort of defined by information and interconnectivity, the enchanting power of words has acquired unparalleled significance. Their power to kindle emotions, provoke contemplation, and ignite transformative change is actually awe-inspiring. Enter the realm of "**Sg Computer Concepts And Comp Con With Ba**," a mesmerizing literary masterpiece penned with a distinguished author, guiding readers on a profound journey to unravel the secrets and potential hidden within every word. In this critique, we shall delve in to the book is central themes, examine its distinctive writing style, and assess its profound impact on the souls of its readers.

<https://www.staging.gilderlehrman.org/files/virtual-library/HomePages/complete%20beginner%20guide%20to%20create%20online%20course%20using%20ai%20without%20paid%20ads%20ultra1%20201.pdf>

Table of Contents Sg Computer Concepts And Comp Con With Ba

1. Understanding the eBook Sg Computer Concepts And Comp Con With Ba
 - The Rise of Digital Reading Sg Computer Concepts And Comp Con With Ba
 - Advantages of eBooks Over Traditional Books
2. Identifying Sg Computer Concepts And Comp Con With Ba
 - Exploring Different Genres
 - Considering Fiction vs. Non-Fiction
 - Determining Your Reading Goals
3. Choosing the Right eBook Platform
 - Popular eBook Platforms
 - Features to Look for in an Sg Computer Concepts And Comp Con With Ba
 - User-Friendly Interface
4. Exploring eBook Recommendations from Sg Computer Concepts And Comp Con With Ba
 - Personalized Recommendations
 - Sg Computer Concepts And Comp Con With Ba User Reviews and Ratings

- Sg Computer Concepts And Comp Con With Ba and Bestseller Lists
- 5. Accessing Sg Computer Concepts And Comp Con With Ba Free and Paid eBooks
 - Sg Computer Concepts And Comp Con With Ba Public Domain eBooks
 - Sg Computer Concepts And Comp Con With Ba eBook Subscription Services
 - Sg Computer Concepts And Comp Con With Ba Budget-Friendly Options
- 6. Navigating Sg Computer Concepts And Comp Con With Ba eBook Formats
 - ePub, PDF, MOBI, and More
 - Sg Computer Concepts And Comp Con With Ba Compatibility with Devices
 - Sg Computer Concepts And Comp Con With Ba Enhanced eBook Features
- 7. Enhancing Your Reading Experience
 - Adjustable Fonts and Text Sizes of Sg Computer Concepts And Comp Con With Ba
 - Highlighting and Note-Taking Sg Computer Concepts And Comp Con With Ba
 - Interactive Elements Sg Computer Concepts And Comp Con With Ba
- 8. Staying Engaged with Sg Computer Concepts And Comp Con With Ba
 - Joining Online Reading Communities
 - Participating in Virtual Book Clubs
 - Following Authors and Publishers Sg Computer Concepts And Comp Con With Ba
- 9. Balancing eBooks and Physical Books Sg Computer Concepts And Comp Con With Ba
 - Benefits of a Digital Library
 - Creating a Diverse Reading Collection Sg Computer Concepts And Comp Con With Ba
- 10. Overcoming Reading Challenges
 - Dealing with Digital Eye Strain
 - Minimizing Distractions
 - Managing Screen Time
- 11. Cultivating a Reading Routine Sg Computer Concepts And Comp Con With Ba
 - Setting Reading Goals Sg Computer Concepts And Comp Con With Ba
 - Carving Out Dedicated Reading Time
- 12. Sourcing Reliable Information of Sg Computer Concepts And Comp Con With Ba
 - Fact-Checking eBook Content of Sg Computer Concepts And Comp Con With Ba
 - Distinguishing Credible Sources

13. Promoting Lifelong Learning
 - Utilizing eBooks for Skill Development
 - Exploring Educational eBooks
14. Embracing eBook Trends
 - Integration of Multimedia Elements
 - Interactive and Gamified eBooks

Sg Computer Concepts And Comp Con With Ba Introduction

In this digital age, the convenience of accessing information at our fingertips has become a necessity. Whether its research papers, eBooks, or user manuals, PDF files have become the preferred format for sharing and reading documents. However, the cost associated with purchasing PDF files can sometimes be a barrier for many individuals and organizations. Thankfully, there are numerous websites and platforms that allow users to download free PDF files legally. In this article, we will explore some of the best platforms to download free PDFs. One of the most popular platforms to download free PDF files is Project Gutenberg. This online library offers over 60,000 free eBooks that are in the public domain. From classic literature to historical documents, Project Gutenberg provides a wide range of PDF files that can be downloaded and enjoyed on various devices. The website is user-friendly and allows users to search for specific titles or browse through different categories. Another reliable platform for downloading Sg Computer Concepts And Comp Con With Ba free PDF files is Open Library. With its vast collection of over 1 million eBooks, Open Library has something for every reader. The website offers a seamless experience by providing options to borrow or download PDF files. Users simply need to create a free account to access this treasure trove of knowledge. Open Library also allows users to contribute by uploading and sharing their own PDF files, making it a collaborative platform for book enthusiasts. For those interested in academic resources, there are websites dedicated to providing free PDFs of research papers and scientific articles. One such website is Academia.edu, which allows researchers and scholars to share their work with a global audience. Users can download PDF files of research papers, theses, and dissertations covering a wide range of subjects. Academia.edu also provides a platform for discussions and networking within the academic community. When it comes to downloading Sg Computer Concepts And Comp Con With Ba free PDF files of magazines, brochures, and catalogs, Issuu is a popular choice. This digital publishing platform hosts a vast collection of publications from around the world. Users can search for specific titles or explore various categories and genres. Issuu offers a seamless reading experience with its user-friendly interface and allows users to download PDF files for offline reading. Apart from dedicated platforms, search engines also play a crucial role in finding free PDF files. Google, for instance, has an advanced search feature that allows users to filter results by file type. By specifying the file type as "PDF,"

users can find websites that offer free PDF downloads on a specific topic. While downloading Sg Computer Concepts And Comp Con With Ba free PDF files is convenient, its important to note that copyright laws must be respected. Always ensure that the PDF files you download are legally available for free. Many authors and publishers voluntarily provide free PDF versions of their work, but its essential to be cautious and verify the authenticity of the source before downloading Sg Computer Concepts And Comp Con With Ba. In conclusion, the internet offers numerous platforms and websites that allow users to download free PDF files legally. Whether its classic literature, research papers, or magazines, there is something for everyone. The platforms mentioned in this article, such as Project Gutenberg, Open Library, Academia.edu, and Issuu, provide access to a vast collection of PDF files. However, users should always be cautious and verify the legality of the source before downloading Sg Computer Concepts And Comp Con With Ba any PDF files. With these platforms, the world of PDF downloads is just a click away.

FAQs About Sg Computer Concepts And Comp Con With Ba Books

1. Where can I buy Sg Computer Concepts And Comp Con With Ba books? Bookstores: Physical bookstores like Barnes & Noble, Waterstones, and independent local stores. Online Retailers: Amazon, Book Depository, and various online bookstores offer a wide range of books in physical and digital formats.
2. What are the different book formats available? Hardcover: Sturdy and durable, usually more expensive. Paperback: Cheaper, lighter, and more portable than hardcovers. E-books: Digital books available for e-readers like Kindle or software like Apple Books, Kindle, and Google Play Books.
3. How do I choose a Sg Computer Concepts And Comp Con With Ba book to read? Genres: Consider the genre you enjoy (fiction, non-fiction, mystery, sci-fi, etc.). Recommendations: Ask friends, join book clubs, or explore online reviews and recommendations. Author: If you like a particular author, you might enjoy more of their work.
4. How do I take care of Sg Computer Concepts And Comp Con With Ba books? Storage: Keep them away from direct sunlight and in a dry environment. Handling: Avoid folding pages, use bookmarks, and handle them with clean hands. Cleaning: Gently dust the covers and pages occasionally.
5. Can I borrow books without buying them? Public Libraries: Local libraries offer a wide range of books for borrowing. Book Swaps: Community book exchanges or online platforms where people exchange books.
6. How can I track my reading progress or manage my book collection? Book Tracking Apps: Goodreads, LibraryThing, and Book Catalogue are popular apps for tracking your reading progress and managing book collections. Spreadsheets:

You can create your own spreadsheet to track books read, ratings, and other details.

7. What are Sg Computer Concepts And Comp Con With Ba audiobooks, and where can I find them? Audiobooks: Audio recordings of books, perfect for listening while commuting or multitasking. Platforms: Audible, LibriVox, and Google Play Books offer a wide selection of audiobooks.
8. How do I support authors or the book industry? Buy Books: Purchase books from authors or independent bookstores. Reviews: Leave reviews on platforms like Goodreads or Amazon. Promotion: Share your favorite books on social media or recommend them to friends.
9. Are there book clubs or reading communities I can join? Local Clubs: Check for local book clubs in libraries or community centers. Online Communities: Platforms like Goodreads have virtual book clubs and discussion groups.
10. Can I read Sg Computer Concepts And Comp Con With Ba books for free? Public Domain Books: Many classic books are available for free as they're in the public domain. Free E-books: Some websites offer free e-books legally, like Project Gutenberg or Open Library.

Find Sg Computer Concepts And Comp Con With Ba :

[complete beginner guide to create online course using AI without paid ads ULTRA1-2012](#)

[proven strategy to use AI for lead generation without paid ads ULTRA1-4242](#)

[affordable way to create AI chatbot for business without paid ads ULTRA1-2161](#)

[low budget way to use AI for TikTok growth for content creators ULTRA1-2377](#)

[free way to grow email list using AI that actually works ULTRA1-965](#)

[proven strategy to create AI powered SaaS without paid ads ULTRA1-186](#)

[affordable way to use AI for TikTok growth for content creators ULTRA1-1920](#)

[best way to build AI automation agency in the United States ULTRA1-1898](#)

[easy method to generate leads using AI for small business owners ULTRA1-4679](#)

[how to build AI automation agency for small business owners ULTRA1-1122](#)

[easy method to build AI automation agency for small business owners ULTRA1-2929](#)

[step by step guide to sell AI generated art in the United States ULTRA1-1138](#)

[easy method to offer AI services to clients step by step ULTRA1-3841](#)

[step by step guide to use AI for small business for small business owners ULTRA1-1456](#)

[complete beginner guide to make money with AI tools for content creators ULTRA1-1783](#)

Sg Computer Concepts And Comp Con With Ba :

Answer checking Book 1 Unit 1 Answer-checking PDF. Book 1 Unit 2 Answer-checking PDF. Book 1 Unit 3 Answer-checking PDF. Book 1 Unit 4 Answer-checking PDF. Free reading Grammar usage set b answer (Download Only) Apr 3, 2023 — We manage to pay for grammar usage set b answer and numerous books collections from fictions to scientific ... along with them is this grammar ... Answer key Switch to Set ATeacher's resources. Suggested work schemes ... Resources by unite-BookshelfGrammar Channele-DictionarYe-Notes appAbout the seriesUseful links. DEVELOPING SKILLS FREEWAY GRAMMAR & USAGE 3 ... View Homework Help - DEVELOPING SKILLS FREEWAY GRAMMAR & USAGE 3 answer from ENGLISH 189736472 at American College of International Academics, Lahore. Grammar & Usage Set B (Third Edition) - YouTube Developing Skills for HKDSE - Grammar & Usage Set B (Third Edition). ARISTO English Language. 30 videosLast updated on Jul 25, 2022. Grammar Channel English ... Unit 1 Tenses Grammar & Usage DEVELOPING SKILLS Set B. Unit 1 Tenses Grammar & Usage. Grammar & Usage. Unit 1 Tenses 1.1 Present simple and present continuous 100+ "grammar & usage set b answer" - Carousell Aristo Grammar & Usage 2 - Second Edition (Set B). HK\$65. Grammar & Usage (Set B) (2021 3rd Ed.) Answer (E-book ... Developing Skills for HKDSE - Grammar & Usage (Set B) (2021 3rd Ed.) Answer only \$2@1chapter All chapter HK\$15 (Alipay only) or use Omsi 2 map or bus to ... Developing skills for HKDSE-Grammar & Usage (Set B ... Developing skills for HKDSE-Grammar & Usage (Set B) Teacher's edition. ... Developing skills: Grammar & Usage for junior secondary learners 1 (Set B) ... Me and My Feelings: A Kids' Guide to Understanding and ... This book gives kids the skills to stay in control—by breathing deeply, saying positive things to themselves, talking about their feelings instead of keeping ... Me and My Feelings: A Kids' Guide to Understanding ... Amazon.com: Me and My Feelings: A Kids' Guide to Understanding and Expressing Themselves eBook : Allen M.Ed. NBCT, Vanessa Green : Kindle Store. Me and My Feelings | Book by Vanessa Green Allen MEd ... This book gives kids the skills to stay in control—by breathing deeply, saying positive things to themselves, talking about their feelings instead of keeping ... Me and My Feelings: A Kids' Guide to Understanding and ... This book shows you how to stay in control—by breathing deeply, saying positive things to yourself, talking about your feelings, and more. You'll learn to deal ... Me and My Feelings: A Kids' Guide to Understanding and ... Sep 17, 2019 — Me and My Feelings is a good book to help children learn and understand their feelings, emotions, and how to express them in healthy ways. Eye- ... Me And My Feelings - By Vanessa Green Allen (paperback) ... children. This kid-friendly, interactive collection of lessons and activities will help children learn how to manage their emotions--and themselves."--Amie ... Me and My Feelings: A Kids' Guide to ... - nature+nurture This book shows you how to stay in control—by breathing deeply, saying positive things to yourself, talking about your feelings, and more. You'll learn to deal ... Me and My Feelings: A Kids' Guide to Understanding ... This book gives kids the skills to stay in control—by breathing deeply, saying positive things to themselves, talking about their feelings instead of keeping ... Me and My Feelings: A Kids'

Guide to Understanding and ... This book shows you how to stay in control - by breathing deeply, saying positive things to yourself, talking about your feelings, and more. You'll learn to ... Me and My Feelings: A Kids' Guide to Understanding... Me and My Feelings: A Kids' Guide to Understanding... by Vanessa Green Allen. \$9.99. Select Format. Format: Paperback (\$4.59 - \$9.99). Select Condition ... British Labour Statistics: Historical Abstract 1886-1968 by G Routh · 1972 — Royal Statistical Society. Journal. Series A: General, Volume 135, Issue 1, January 1972, Pages 159-161, <https://doi.org/10.2307/2345059>. British labour statistics historical abstract 1886-1968 Our collections information. We have over a million object records online, and we are adding to this all the time. Our records are never finished. Sometimes we ... British labour statistics : historical abstract 1886-1968. Publisher: Her Majesty's Stationery Office, London, 1971. Genre: Statistics. Physical Description: 436 pages ; 31 cm. ISBN: 9780113608027, 0113608020. British Labour Statistics: Historical Abstract 1886-1968 British Labour Statistics: Historical Abstract 1886-1968 · From inside the book · Common terms and phrases · Bibliographic information ... British Labour Statistics: Historical Abstract 1886-1968 by G Routh · 1972 — British Labour Statistics: Historical Abstract 1886-1968. By the Department of Employment. London, H.M.S.a., 1971. 463 p. 12". £7. This splendid anthology ... Population, employment and unemployment - ESCoE The datasets are supplemented by publications such as the British Labour Statistics Historical Abstract which covers the period 1886-1968 and the monthly ... British labour statistics: historical abstract 1886-1968 British labour statistics: historical abstract 1886-1968 ; Published status: Published ; Publication date: 1971 ; Collect From: Main Reading Room ; Call Number: YYq ... British labour statistics: historical abstract, 1886-1968. British labour statistics: historical abstract, 1886-1968. Available at University Library Level 6 - Mobile Shelving - Sequence 1 (331.0942 BRI). British labour statistics: historical abstracts, 1886-1968 Title, British labour statistics: historical abstracts, 1886-1968. Author, Great Britain. Department of Employment. Publisher, H.M. Stationery Office, 1982. British labour statistics: Historical abstract 1886-1968 British labour statistics: Historical abstract 1886-1968 ; Print length. 436 pages ; Language. English ; Publisher. H.M. Stationery Off ; Publication date. January ...