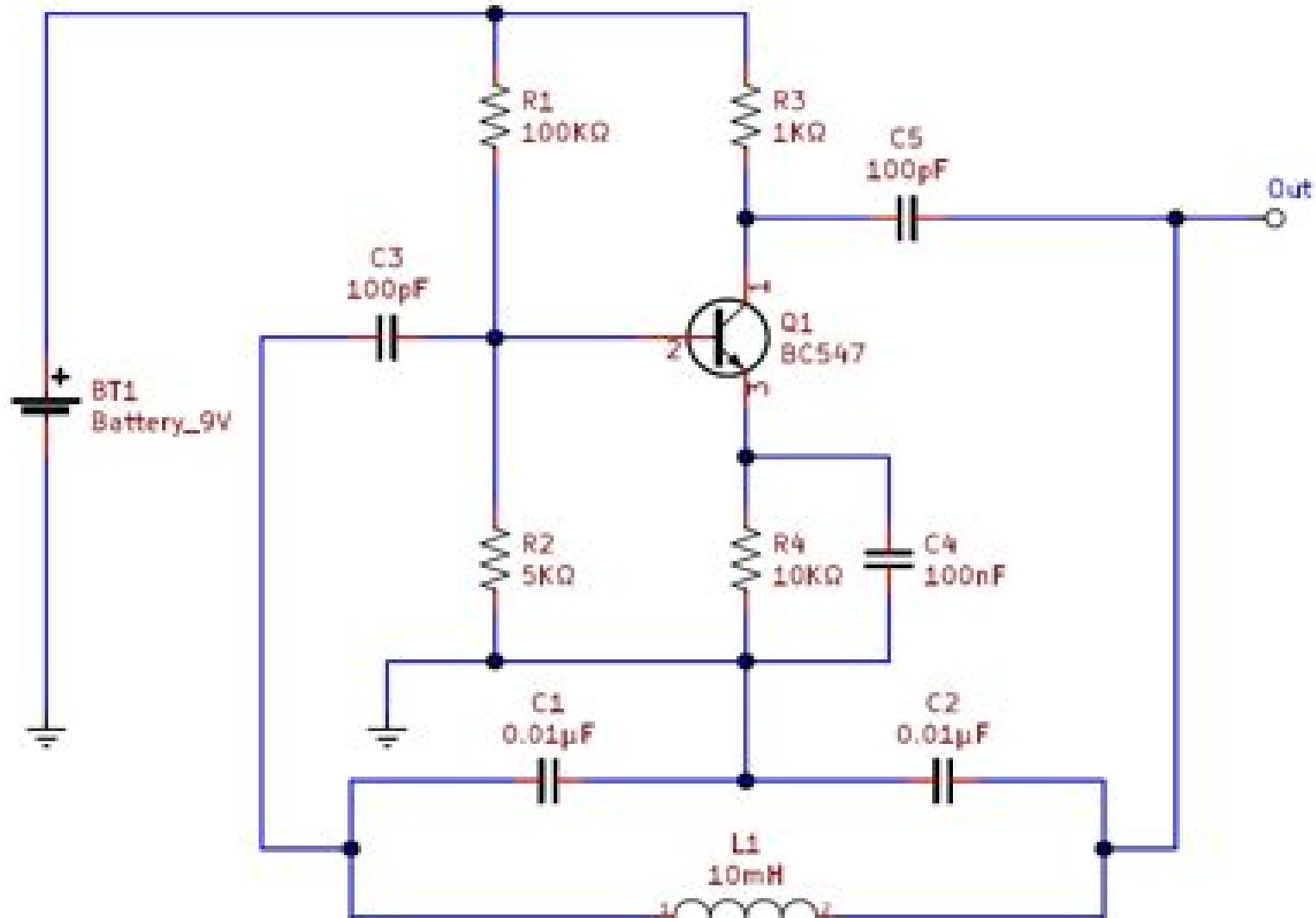


Colpitts Oscillator Circuit



Oscillator Circuits

Clifford Lane



Oscillator Circuits:

Delve into the emotional tapestry woven by Emotional Journey with in Experience **Oscillator Circuits** . This ebook, available for download in a PDF format (PDF Size: *), is more than just words on a page; it's a journey of connection and profound emotion. Immerse yourself in narratives that tug at your heartstrings. Download now to experience the pulse of each page and let your emotions run wild.

<https://www.staging.gilderlehrman.org/public/scholarship/default.aspx/Only%20One%20World%20Our%20Own%20To%20Make%20And%20To%20Keep%20Vox%20Populi%20Series.pdf>

Table of Contents Oscillator Circuits

1. Understanding the eBook Oscillator Circuits
 - The Rise of Digital Reading Oscillator Circuits
 - Advantages of eBooks Over Traditional Books
2. Identifying Oscillator Circuits
 - Exploring Different Genres
 - Considering Fiction vs. Non-Fiction
 - Determining Your Reading Goals
3. Choosing the Right eBook Platform
 - Popular eBook Platforms
 - Features to Look for in an Oscillator Circuits
 - User-Friendly Interface
4. Exploring eBook Recommendations from Oscillator Circuits
 - Personalized Recommendations
 - Oscillator Circuits User Reviews and Ratings
 - Oscillator Circuits and Bestseller Lists
5. Accessing Oscillator Circuits Free and Paid eBooks
 - Oscillator Circuits Public Domain eBooks
 - Oscillator Circuits eBook Subscription Services

- Oscillator Circuits Budget-Friendly Options
- 6. Navigating Oscillator Circuits eBook Formats
 - ePub, PDF, MOBI, and More
 - Oscillator Circuits Compatibility with Devices
 - Oscillator Circuits Enhanced eBook Features
- 7. Enhancing Your Reading Experience
 - Adjustable Fonts and Text Sizes of Oscillator Circuits
 - Highlighting and Note-Taking Oscillator Circuits
 - Interactive Elements Oscillator Circuits
- 8. Staying Engaged with Oscillator Circuits
 - Joining Online Reading Communities
 - Participating in Virtual Book Clubs
 - Following Authors and Publishers Oscillator Circuits
- 9. Balancing eBooks and Physical Books Oscillator Circuits
 - Benefits of a Digital Library
 - Creating a Diverse Reading Collection Oscillator Circuits
- 10. Overcoming Reading Challenges
 - Dealing with Digital Eye Strain
 - Minimizing Distractions
 - Managing Screen Time
- 11. Cultivating a Reading Routine Oscillator Circuits
 - Setting Reading Goals Oscillator Circuits
 - Carving Out Dedicated Reading Time
- 12. Sourcing Reliable Information of Oscillator Circuits
 - Fact-Checking eBook Content of Oscillator Circuits
 - Distinguishing Credible Sources
- 13. Promoting Lifelong Learning
 - Utilizing eBooks for Skill Development
 - Exploring Educational eBooks
- 14. Embracing eBook Trends

- Integration of Multimedia Elements
- Interactive and Gamified eBooks

Oscillator Circuits Introduction

In today's digital age, the availability of Oscillator Circuits books and manuals for download has revolutionized the way we access information. Gone are the days of physically flipping through pages and carrying heavy textbooks or manuals. With just a few clicks, we can now access a wealth of knowledge from the comfort of our own homes or on the go. This article will explore the advantages of Oscillator Circuits books and manuals for download, along with some popular platforms that offer these resources. One of the significant advantages of Oscillator Circuits books and manuals for download is the cost-saving aspect. Traditional books and manuals can be costly, especially if you need to purchase several of them for educational or professional purposes. By accessing Oscillator Circuits versions, you eliminate the need to spend money on physical copies. This not only saves you money but also reduces the environmental impact associated with book production and transportation. Furthermore, Oscillator Circuits books and manuals for download are incredibly convenient. With just a computer or smartphone and an internet connection, you can access a vast library of resources on any subject imaginable. Whether you're a student looking for textbooks, a professional seeking industry-specific manuals, or someone interested in self-improvement, these digital resources provide an efficient and accessible means of acquiring knowledge. Moreover, PDF books and manuals offer a range of benefits compared to other digital formats. PDF files are designed to retain their formatting regardless of the device used to open them. This ensures that the content appears exactly as intended by the author, with no loss of formatting or missing graphics. Additionally, PDF files can be easily annotated, bookmarked, and searched for specific terms, making them highly practical for studying or referencing. When it comes to accessing Oscillator Circuits books and manuals, several platforms offer an extensive collection of resources. One such platform is Project Gutenberg, a nonprofit organization that provides over 60,000 free eBooks. These books are primarily in the public domain, meaning they can be freely distributed and downloaded. Project Gutenberg offers a wide range of classic literature, making it an excellent resource for literature enthusiasts. Another popular platform for Oscillator Circuits books and manuals is Open Library. Open Library is an initiative of the Internet Archive, a non-profit organization dedicated to digitizing cultural artifacts and making them accessible to the public. Open Library hosts millions of books, including both public domain works and contemporary titles. It also allows users to borrow digital copies of certain books for a limited period, similar to a library lending system. Additionally, many universities and educational institutions have their own digital libraries that provide free access to PDF books and manuals. These libraries often offer academic texts, research papers, and technical manuals, making them invaluable resources for students and researchers. Some notable examples include MIT OpenCourseWare,

which offers free access to course materials from the Massachusetts Institute of Technology, and the Digital Public Library of America, which provides a vast collection of digitized books and historical documents. In conclusion, Oscillator Circuits books and manuals for download have transformed the way we access information. They provide a cost-effective and convenient means of acquiring knowledge, offering the ability to access a vast library of resources at our fingertips. With platforms like Project Gutenberg, Open Library, and various digital libraries offered by educational institutions, we have access to an ever-expanding collection of books and manuals. Whether for educational, professional, or personal purposes, these digital resources serve as valuable tools for continuous learning and self-improvement. So why not take advantage of the vast world of Oscillator Circuits books and manuals for download and embark on your journey of knowledge?

FAQs About Oscillator Circuits Books

1. Where can I buy Oscillator Circuits books? Bookstores: Physical bookstores like Barnes & Noble, Waterstones, and independent local stores. Online Retailers: Amazon, Book Depository, and various online bookstores offer a wide range of books in physical and digital formats.
2. What are the different book formats available? Hardcover: Sturdy and durable, usually more expensive. Paperback: Cheaper, lighter, and more portable than hardcovers. E-books: Digital books available for e-readers like Kindle or software like Apple Books, Kindle, and Google Play Books.
3. How do I choose a Oscillator Circuits book to read? Genres: Consider the genre you enjoy (fiction, non-fiction, mystery, sci-fi, etc.). Recommendations: Ask friends, join book clubs, or explore online reviews and recommendations. Author: If you like a particular author, you might enjoy more of their work.
4. How do I take care of Oscillator Circuits books? Storage: Keep them away from direct sunlight and in a dry environment. Handling: Avoid folding pages, use bookmarks, and handle them with clean hands. Cleaning: Gently dust the covers and pages occasionally.
5. Can I borrow books without buying them? Public Libraries: Local libraries offer a wide range of books for borrowing. Book Swaps: Community book exchanges or online platforms where people exchange books.
6. How can I track my reading progress or manage my book collection? Book Tracking Apps: Goodreads, LibraryThing, and Book Catalogue are popular apps for tracking your reading progress and managing book collections. Spreadsheets: You can create your own spreadsheet to track books read, ratings, and other details.
7. What are Oscillator Circuits audiobooks, and where can I find them? Audiobooks: Audio recordings of books, perfect for

- listening while commuting or multitasking. Platforms: Audible, LibriVox, and Google Play Books offer a wide selection of audiobooks.
8. How do I support authors or the book industry? Buy Books: Purchase books from authors or independent bookstores. Reviews: Leave reviews on platforms like Goodreads or Amazon. Promotion: Share your favorite books on social media or recommend them to friends.
 9. Are there book clubs or reading communities I can join? Local Clubs: Check for local book clubs in libraries or community centers. Online Communities: Platforms like Goodreads have virtual book clubs and discussion groups.
 10. Can I read Oscillator Circuits books for free? Public Domain Books: Many classic books are available for free as they're in the public domain. Free E-books: Some websites offer free e-books legally, like Project Gutenberg or Open Library.

Find Oscillator Circuits :

only one world our own to make and to keep vox populi series

only with a bargepole.

one step at a time medical romance

only one earth living for the future

one step ahead editing and revising text

one little white shoe a story to finish

onset of puberty in perspective

~~one a week maths tests age 78~~

one year bible the living bible

one life at a time making a world of difference

one hunter

~~only the rivers are peaceful~~

one for the pot

one-to-one web marketing

one hundred best films of the century

Oscillator Circuits :

operating & parts manual - model 75 This safety booklet describes important safety features on Brush Bandit® Chippers.

This booklet involves safety for your employees and the chipper. The safety ... Support | Bandit Industries, Inc. | Bandit Equipment Bandit's legendary customer service includes everything from phone-based tech support to on-site repair, tech tips and more. Explore all the ways Bandit ... Bandit 250 xp Service Manual Oct 18, 2006 — Hi all I have a 1998 Brush Bandit 250 xp I bought some years ago from a rental company. it has been very good to me the only thing I have Brush bandit 150 Manuals Manuals and User Guides for Brush Bandit 150. We have 1 Brush Bandit 150 manual available for free PDF download: Operating & Parts Manual ... BRUSH CHIPPER clutch manufacturer's manual for proper service and operation. Do not work ... This Notice describes important safety information for all Brush Bandit wood ... BRUSH BANDIT® - Arborist Supply Engine parts, service and maintenance manuals MUST be purchased through the engine manufacturer or their dealer. NOTE - The producer of the Bandit Chipper ... Brush bandit 200 Manuals Manuals and User Guides for Brush Bandit 200. We have 1 Brush Bandit 200 manual available for free PDF download: Operating & Parts Manual ... MODELS 150 / 200 - Arborist Supply manual from your Bandit Dealer. Before operating ... This Notice describes important safety information for all Brush Bandit wood chipper owners and operators. Brush Bandit 65A 65AW Brush Chipper Operator Parts ... Brush Bandit 65A 65AW Brush Chipper Operator Parts Owners Manual Book Operating ; Quantity. 3 available ; Item Number. 256064744096 ; Brand. Brush Bandit ; Accurate ... 900-8901-67: bandit 15xp /1390 operating & parts manual Bandit parts have moved to our all-new parts portal, Modern Equipment Parts, featuring manuals, how-to videos and maintenance tips, and more! · Click here to ... Test Bank for Campbell Essential Biology with ... Feb 4, 2023 — Sell ? Test Bank for Campbell Essential Biology with Physiology 5th Edition Simon Chapter 1 - 29 Updated 2023 \$19.99 Add to cart. test bank for campbell essential biology ... - Knoowy Sep 2, 2023 — TEST BANK FOR CAMPBELL ESSENTIAL BIOLOGY WITH PHYSIOLOGY, 5TH EDITION BY SIMON, DICKEY, REECE, HOGAN · Preview document (3 of 367 pages) · Knoowy ... Test bank Campbell Essential Biology with Physiology, 5th ... Mar 29, 2023 — Test bank Campbell Essential Biology with Physiology, 5th Edition, Simon Isbn-9780321967671. Course; CAMPBELL ESSENTIAL BIOLOGY WITH PHYSIOLOGY, ... Campbell Essential Biology 5th Edition Simon Test Bank 1 Campbell Essential Biology 5th Edition Simon Test Bank 1 - Free download as PDF File (.pdf), Text File (.txt) or read online for free. Test Bank. Test Bank For Campbell Essential Biology 5th Edition By ... Test Bank For Campbell Essential Biology 5th Edition By Simon Pdf Pdf. INTRODUCTION Test Bank For Campbell Essential Biology 5th Edition By Simon Pdf Pdf ... Test Bank for Biology, Campbell and Reece, 5th Edition Book details · Print length. 688 pages · Language. English · Publisher. Addison Wesley · Publication date. January 1, 1999 · ISBN-10. 0805365613 · ISBN-13. 978- ... Campbell Essential Biology With Physiology Global 5th ... Campbell Essential Biology With Physiology Global 5th Edition Simon Test Bank - Free download as PDF File (.pdf), Text File (.txt) or read online for free. Pin on Study Guides for textbooks Complete downloadable Solutions Manual for Campbell Essential Biology 5th Edition by Simon. ... Test Bank for Economics Canada in the Global Environment 7th ... Campbell Biology Test Bank Test Bank for Campbell Biology Ninth Edition

[Paperback] Paperback - January 1, 2011. by Louise Paquin · 3.03.0 out of 5 stars (1). Campbell Essential Biology with Physiology, 5th Edition ... Feb 9, 2023 — Below are summaries, lecture notes, study guides and practice exams for Campbell Essential Biology with Physiology, 5th Edition Test Bank of ... Terpsichore in Sneakers: Post-Modern Dance (Wesleyan ... A dance critic's essays on post-modern dance. Drawing on the postmodern perspective and concerns that informed her groundbreaking Terpsichore in Sneakers, ... Terpsichore in Sneakers A dance critic's essays on post-modern dance. Drawing on the postmodern perspective and concerns that informed her groundbreaking Terpsichore in Sneakers, ... Terpsichore in Sneakers: Post-Modern Dance - Project MUSE by S Banes · 2011 · Cited by 1305 — In this Book ... Drawing on the postmodern perspective and concerns that informed her groundbreaking Terpsichore in Sneakers, Sally Bane's Writing ... Terpsichore in Sneakers: Post-Modern Dance by Sally Banes Terpsichore in Sneakers offers the first critical review of the history of post-modern dance—an avant-garde style that emerged in the USA in the 1960s. Terpsichore in Sneakers: Post-Modern Dance by Sally Banes A dance critic's essays on post-modern dance. Drawing on the postmodern perspective and concerns that informed her groundbreaking Terpsichore in Sneakers, ... Terpsichore in sneakers, post-modern dance title: Terpsichore in Sneakers : Post-modern Dance Wesleyan Paperback author: Banes, Sally. publisher: Wesleyan University Press isbn10 | asin: 0819561606 ... Terpsichore in Sneakers: Post-modern Dance - Sally Banes Terpsichore in Sneakers: Post-modern Dance · From inside the book · Contents · Other editions - View all · Common terms and phrases · About the author (1980). Terpsichore in Sneakers: Post-Modern Dance by Sally Banes A dance critic's essays on post-modern dance. Drawing on the postmodern perspective and concerns that informed her groundbreaking. Terpsichore in sneakers: Post-modern dance: Banes, Sally Drawing on the postmodern perspective and concerns that informed her groundbreaking Terpsichore in Sneakers, Sally Bane's Writing Dancing documents the ... Terpsichore Sneakers Post Modern Dance by Sally Banes Terpsichore in Sneakers: Post-Modern Dance (Wesleyan Paperback). Banes, Sally. ISBN 13: 9780819561602. Seller: ...