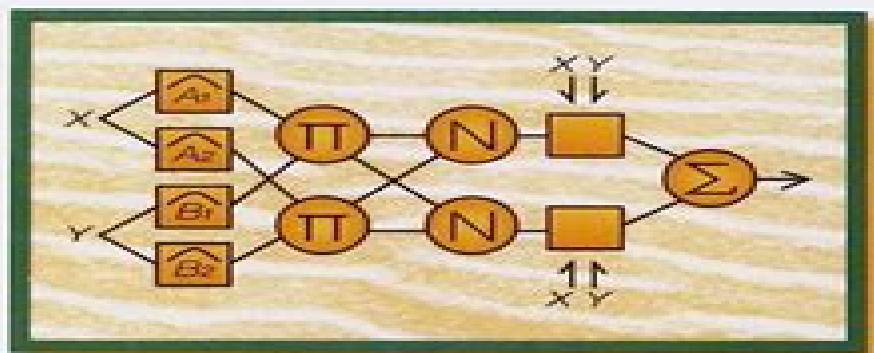


Neuro-Fuzzy AND Soft Computing

A Computational Approach to
Learning and Machine Intelligence



J.-S. R. JANG

張智星

C.-T. SUN

孫春在

E. MIZUTANI

水谷英二



MATLAB®
CURRICULUM
SERIES

Neuro Fuzzy And Soft Computing A Computational Approach To Learning And Machine Intelligence

Klaus Bogenberger



Neuro Fuzzy And Soft Computing A Computational Approach To Learning And Machine Intelligence:

Discover tales of courage and bravery in Crafted by is empowering ebook, Stories of Fearlessness: **Neuro Fuzzy And Soft Computing A Computational Approach To Learning And Machine Intelligence** . In a downloadable PDF format (PDF Size: *), this collection inspires and motivates. Download now to witness the indomitable spirit of those who dared to be brave.

<https://www.staging.gilderlehrman.org/About/publication/default.aspx/Without%20Experience%20How%20To%20Grow%20Email%20List%20Using%20AI%20Organically%20BATCH9%2064.pdf>

Table of Contents Neuro Fuzzy And Soft Computing A Computational Approach To Learning And Machine Intelligence

1. Understanding the eBook Neuro Fuzzy And Soft Computing A Computational Approach To Learning And Machine Intelligence
 - The Rise of Digital Reading Neuro Fuzzy And Soft Computing A Computational Approach To Learning And Machine Intelligence
 - Advantages of eBooks Over Traditional Books
2. Identifying Neuro Fuzzy And Soft Computing A Computational Approach To Learning And Machine Intelligence
 - Exploring Different Genres
 - Considering Fiction vs. Non-Fiction
 - Determining Your Reading Goals
3. Choosing the Right eBook Platform
 - Popular eBook Platforms
 - Features to Look for in an Neuro Fuzzy And Soft Computing A Computational Approach To Learning And Machine Intelligence
 - User-Friendly Interface
4. Exploring eBook Recommendations from Neuro Fuzzy And Soft Computing A Computational Approach To Learning And Machine Intelligence
 - Personalized Recommendations

- Neuro Fuzzy And Soft Computing A Computational Approach To Learning And Machine Intelligence User Reviews and Ratings
 - Neuro Fuzzy And Soft Computing A Computational Approach To Learning And Machine Intelligence and Bestseller Lists
5. Accessing Neuro Fuzzy And Soft Computing A Computational Approach To Learning And Machine Intelligence Free and Paid eBooks
- Neuro Fuzzy And Soft Computing A Computational Approach To Learning And Machine Intelligence Public Domain eBooks
 - Neuro Fuzzy And Soft Computing A Computational Approach To Learning And Machine Intelligence eBook Subscription Services
 - Neuro Fuzzy And Soft Computing A Computational Approach To Learning And Machine Intelligence Budget-Friendly Options
6. Navigating Neuro Fuzzy And Soft Computing A Computational Approach To Learning And Machine Intelligence eBook Formats
- ePub, PDF, MOBI, and More
 - Neuro Fuzzy And Soft Computing A Computational Approach To Learning And Machine Intelligence Compatibility with Devices
 - Neuro Fuzzy And Soft Computing A Computational Approach To Learning And Machine Intelligence Enhanced eBook Features
7. Enhancing Your Reading Experience
- Adjustable Fonts and Text Sizes of Neuro Fuzzy And Soft Computing A Computational Approach To Learning And Machine Intelligence
 - Highlighting and Note-Taking Neuro Fuzzy And Soft Computing A Computational Approach To Learning And Machine Intelligence
 - Interactive Elements Neuro Fuzzy And Soft Computing A Computational Approach To Learning And Machine Intelligence
8. Staying Engaged with Neuro Fuzzy And Soft Computing A Computational Approach To Learning And Machine Intelligence
- Joining Online Reading Communities
 - Participating in Virtual Book Clubs

- Following Authors and Publishers Neuro Fuzzy And Soft Computing A Computational Approach To Learning And Machine Intelligence
- 9. Balancing eBooks and Physical Books Neuro Fuzzy And Soft Computing A Computational Approach To Learning And Machine Intelligence
 - Benefits of a Digital Library
 - Creating a Diverse Reading Collection Neuro Fuzzy And Soft Computing A Computational Approach To Learning And Machine Intelligence
- 10. Overcoming Reading Challenges
 - Dealing with Digital Eye Strain
 - Minimizing Distractions
 - Managing Screen Time
- 11. Cultivating a Reading Routine Neuro Fuzzy And Soft Computing A Computational Approach To Learning And Machine Intelligence
 - Setting Reading Goals Neuro Fuzzy And Soft Computing A Computational Approach To Learning And Machine Intelligence
 - Carving Out Dedicated Reading Time
- 12. Sourcing Reliable Information of Neuro Fuzzy And Soft Computing A Computational Approach To Learning And Machine Intelligence
 - Fact-Checking eBook Content of Neuro Fuzzy And Soft Computing A Computational Approach To Learning And Machine Intelligence
 - Distinguishing Credible Sources
- 13. Promoting Lifelong Learning
 - Utilizing eBooks for Skill Development
 - Exploring Educational eBooks
- 14. Embracing eBook Trends
 - Integration of Multimedia Elements
 - Interactive and Gamified eBooks

Neuro Fuzzy And Soft Computing A Computational Approach To Learning And Machine Intelligence Introduction

In the digital age, access to information has become easier than ever before. The ability to download Neuro Fuzzy And Soft

Neuro Fuzzy And Soft Computing A Computational Approach To Learning And Machine Intelligence

Computing A Computational Approach To Learning And Machine Intelligence has revolutionized the way we consume written content. Whether you are a student looking for course material, an avid reader searching for your next favorite book, or a professional seeking research papers, the option to download Neuro Fuzzy And Soft Computing A Computational Approach To Learning And Machine Intelligence has opened up a world of possibilities. Downloading Neuro Fuzzy And Soft Computing A Computational Approach To Learning And Machine Intelligence provides numerous advantages over physical copies of books and documents. Firstly, it is incredibly convenient. Gone are the days of carrying around heavy textbooks or bulky folders filled with papers. With the click of a button, you can gain immediate access to valuable resources on any device. This convenience allows for efficient studying, researching, and reading on the go. Moreover, the cost-effective nature of downloading Neuro Fuzzy And Soft Computing A Computational Approach To Learning And Machine Intelligence has democratized knowledge. Traditional books and academic journals can be expensive, making it difficult for individuals with limited financial resources to access information. By offering free PDF downloads, publishers and authors are enabling a wider audience to benefit from their work. This inclusivity promotes equal opportunities for learning and personal growth. There are numerous websites and platforms where individuals can download Neuro Fuzzy And Soft Computing A Computational Approach To Learning And Machine Intelligence. These websites range from academic databases offering research papers and journals to online libraries with an expansive collection of books from various genres. Many authors and publishers also upload their work to specific websites, granting readers access to their content without any charge. These platforms not only provide access to existing literature but also serve as an excellent platform for undiscovered authors to share their work with the world. However, it is essential to be cautious while downloading Neuro Fuzzy And Soft Computing A Computational Approach To Learning And Machine Intelligence. Some websites may offer pirated or illegally obtained copies of copyrighted material. Engaging in such activities not only violates copyright laws but also undermines the efforts of authors, publishers, and researchers. To ensure ethical downloading, it is advisable to utilize reputable websites that prioritize the legal distribution of content. When downloading Neuro Fuzzy And Soft Computing A Computational Approach To Learning And Machine Intelligence, users should also consider the potential security risks associated with online platforms. Malicious actors may exploit vulnerabilities in unprotected websites to distribute malware or steal personal information. To protect themselves, individuals should ensure their devices have reliable antivirus software installed and validate the legitimacy of the websites they are downloading from. In conclusion, the ability to download Neuro Fuzzy And Soft Computing A Computational Approach To Learning And Machine Intelligence has transformed the way we access information. With the convenience, cost-effectiveness, and accessibility it offers, free PDF downloads have become a popular choice for students, researchers, and book lovers worldwide. However, it is crucial to engage in ethical downloading practices and prioritize personal security when utilizing online platforms. By doing so, individuals can make the most of the

vast array of free PDF resources available and embark on a journey of continuous learning and intellectual growth.

FAQs About Neuro Fuzzy And Soft Computing A Computational Approach To Learning And Machine Intelligence Books

How do I know which eBook platform is the best for me? Finding the best eBook platform depends on your reading preferences and device compatibility. Research different platforms, read user reviews, and explore their features before making a choice. Are free eBooks of good quality? Yes, many reputable platforms offer high-quality free eBooks, including classics and public domain works. However, make sure to verify the source to ensure the eBook credibility. Can I read eBooks without an eReader? Absolutely! Most eBook platforms offer web-based readers or mobile apps that allow you to read eBooks on your computer, tablet, or smartphone. How do I avoid digital eye strain while reading eBooks? To prevent digital eye strain, take regular breaks, adjust the font size and background color, and ensure proper lighting while reading eBooks. What the advantage of interactive eBooks? Interactive eBooks incorporate multimedia elements, quizzes, and activities, enhancing the reader engagement and providing a more immersive learning experience. Neuro Fuzzy And Soft Computing A Computational Approach To Learning And Machine Intelligence is one of the best book in our library for free trial. We provide copy of Neuro Fuzzy And Soft Computing A Computational Approach To Learning And Machine Intelligence in digital format, so the resources that you find are reliable. There are also many Ebooks of related with Neuro Fuzzy And Soft Computing A Computational Approach To Learning And Machine Intelligence. Where to download Neuro Fuzzy And Soft Computing A Computational Approach To Learning And Machine Intelligence online for free? Are you looking for Neuro Fuzzy And Soft Computing A Computational Approach To Learning And Machine Intelligence PDF? This is definitely going to save you time and cash in something you should think about.

Find Neuro Fuzzy And Soft Computing A Computational Approach To Learning And Machine Intelligence :

[without experience how to grow email list using AI organically BATCH9-642](#)

[best way to make money with AI tools step by step BATCH9-718](#)

[step by step guide to use AI for ecommerce store for beginners BATCH9-1139](#)

[without experience how to build AI automation agency step by step BATCH9-1361](#)

[affordable way to use AI for Instagram marketing that actually works BATCH9-1949](#)

[free way to use AI for Instagram marketing for beginners BATCH9-1446](#)

step by step guide to offer AI services to clients without paid ads BATCH9-1069

low budget way to automate customer service with AI step by step BATCH9-173

complete beginner guide to create marketing funnel with AI organically BATCH9-908

best way to create faceless YouTube channel with AI that actually works BATCH9-2110

affordable way to create online course using AI for beginners BATCH9-2443

free way to automate customer service with AI without paid ads BATCH9-351

best way to write blog posts using AI step by step BATCH9-1905

free way to automate dropshipping with AI for small business owners BATCH9-1657

free way to optimize website content using AI for small business owners BATCH9-891

Neuro Fuzzy And Soft Computing A Computational Approach To Learning And Machine Intelligence :

julia navarro quotes author of dime quién soy goodreads - Apr 02 2022

amazon com dime quien soy 9789877254136 navarro - Apr 14 2023

web nov 12 2020 espionaje e intriga en estado puro amores y desamores desgarrados aventura e historia de un siglo hecho pedazos dime quién soy es un apasionante

dime quién soy julia navarro tapa dura 11 marzo 2010 - Aug 06 2022

web la culpa no es de quien dispara la bala o coloca el explosivo la culpa es de quien ha provocado la maldita guerra de quien no va al frente pero envía los hombres a morir

dime quién soy by julia navarro goodreads - Oct 20 2023

web feb 1 2011 julia navarro dime quien soy tell me who i am spanish edition paperback february 1 2011 spanish edition by julia navarro author 4 5 12 231

descargar pdf dime quién soy julia navarro julia gratis - Dec 30 2021

dime quién soy julia navarro google books - Jun 04 2022

web dime qui n soy tell me who i am auteur julia navarro taal spaans 5 0 5 5 0 5 1 review delen auteur julia navarro madrid 1953 is schrijver en journalist haar

julia navarro author of dime quién soy goodreads - Jan 11 2023

web jul 15 2010 espionaje e intriga en estado puro amores y desamores desgarrados aventura e historia de un siglo hecho pedazos dime quién soy es un apasionante

dime quién soy libro de julia navarro reseña resumen y - Jun 16 2023

web 1 of 5 stars 2 of 5 stars 3 of 5 stars 4 of 5 stars 5 of 5 stars note these are all the books on goodreads for this author to add more books click here julia navarro has 27

dime quien soy tell me who i am spanish edition - Sep 19 2023

dime quien soy es una novela histórica de julia navarro publicada en 2010 por el sello plaza janés de barcelona que da un repaso sobre los acontecimientos y personajes importantes del siglo xx desde la guerra civil española hasta la caída del muro de berlín pasando por la segunda guerra mundial y la guerra fría

dime quién soy navarro julia 9788466353946 amazon com - Dec 10 2022

web espionaje e intriga en estado puro amores y desamores desgarrados aventura e historia de un siglo hecho pedazos dime quién soy es un apasionante relato protagonizado por

dime quién soy tell me who i am audible com - Oct 08 2022

web dime quién soy julia navarro vintage español 2011 fiction 1096 pages un periodista recibe la propuesta de investigar la vida de su bisabuela amelia garayoa

dime quién soy tell me who i am penguin - Jul 17 2023

web jan 1 2020 desde los años de la segunda república española hasta la caída del muro de berlín pasando por la segunda guerra mundial y la guerra fría la nueva novela de

dime quién soy julia navarro google books - Sep 07 2022

web dime que n soy by navarro julia 1953 publication date 2013 topics runaway wives fiction man woman relationships fiction history modern 20th century fiction

dime quien soy julia navarro casa del libro - May 15 2023

web editions of dime quién soy by julia navarro dime quién soy editions expand details by julia navarro first published 2010 sort by format editions showing 1 30 of 57 dime

dime quién soy tell me who i am by julia navarro paperback - Nov 09 2022

web nov 12 2021 dime que n soy by navarro julia 1953 publication date 2011 publisher new york vintage espan ol collection inlibrary printdisabled

editions of dime quién soy by julia navarro goodreads - Feb 12 2023

web dime quién soy tell me who i am by julia navarro narrated by daniel albiac maría belén roca length 32 hrs and 56 mins 4 7 1 516 ratings try for 0 00 prime member

dime quién soy julia navarro audiolibro youtube - Mar 01 2022

books by julia navarro author of dime quién soy goodreads - Mar 13 2023

web jul 23 2019 espionaje e intriga en estado puro amores y desamores desgarrados aventura e historia de un siglo hecho pedazos dime quién soy es un apasionante

[dime quién soy navarro julia 1953 free download borrow](#) - Jul 05 2022

web aug 22 2016 quieres escuchar el audiolibro completo audible adbl co 2asmbnq audioteka bit ly 2934yga ibookstore

dime quién soy wikipedia la enciclopedia libre - Aug 18 2023

web espionaje e intriga en estado puro amores y desamores desgarrados aventura e historia de un siglo hecho pedazos dime quién soy es un apasionante relato protagonizado por

dime qui n soy julia navarro 9780307741721 boeken bol com - Jan 31 2022

[dime quién soy navarro julia 1953 free download borrow](#) - May 03 2022

web opiniones de las lectoras sobre dime quién soy julia navarro de julia navarro valentia villasana me quedé completamente hechizado a por este libro la escritura

2er set nlp coaching quickfinder und nlp interventionen quickfinder - Feb 14 2023

2er set nlp coaching quickfinder und nlp interventionen quickfinder 2023 schritt für schritt anleitungen von 33

interventionen 2 karten dina4 laminiert für jeden nlp zauberlehrling cremer samuel nlp zentrum berlin de futurepacemedia de amazon nl boeken

2er set nlp coaching quickfinder dina4 nlp coachi pdf pdf - Sep 09 2022

2er set nlp coaching quickfinder dina4 nlp coaching poster dina2 samuel cremer 2015 2er set nlp coaching und nlp interventionen quickfinder 2015 schritt für

2er set nlp coaching quickfinder und gfk navigator für - Apr 04 2022

konfliktcoaching anleitung für den coach nlp practitioner triple certification training nlp top coach sich verstehen verstanden werden empathie geben dina4 nlp coaching get life coaching advice on life coach hub 2er set nlp coaching quickfinder und

gfk navigator für nlp life coach directory 3er set nlp coaching quickfinder

helping everyone everywhere find an nlp coach - Feb 02 2022

using a variety of questions and specific tools your nlp coach will help you identify what your true desires and intentions are what may be blocking your pathway and what resources confidence belief motivation etc you may need your coach will then

assist you in realigning your unconscious patterns to set you up for success

2er set nlp coaching quickfinder dina4 nlp coachi pdf - Jul 07 2022

2er set nlp coaching quickfinder dina4 nlp coachi 1 1 downloaded from uniport edu ng on march 25 2023 by guest 2er set nlp

coaching quickfinder dina4 nlp coachi eventually you will enormously discover a further experience and carrying out by spending more cash still when reach you resign yourself to that you

2er set nlp coaching quickfinder dina4 nlp coachi copy music - Jun 06 2022

2er set nlp coaching und nlp interventionen quickfinder 2015 schritt für schritt anleitungen von 33 interventionen the enneagram nlp eradicate asthma now with water 2er set nlp coaching quickfinder dina4 nlp coaching poster dina2 neuro linguistic programming workbook for dummies

2er set nlp coaching quickfinder und gfk navigator für - Sep 21 2023

2er set nlp coaching quickfinder und gfk navigator für gewaltfreie kommunikation 2 infokarten dina4 laminiert für jeden nlp zauberlehrling 2020 cremer samuel schumacher christian futurepacemedia de amazon com tr kitap

2er set nlp coaching quickfinder dina4 nlp coachi full pdf - May 17 2023

2 2er set nlp coaching quickfinder dina4 nlp coachi 2022 01 21 persepolis kashan choqa zambil takht e soleiman tabriz masuleh mashhad garmeh alamut valley alborz mountains

2er set nlp coaching quickfinder und nlp interventionen quickfinder - Aug 20 2023

inhalt des 2er sets laminierte wissenskarten dina4 nlp coaching quickfinder nlp interventionen quickfinder quickfinder sind wissenskarten im set erhalten sie die produkte günstiger als im einzelverkauf produktbeschreibung nlp coaching quickfinder hier wird der nlp coaching quickfinder im video vorgestellt youtube com

pdf 2er set nlp coaching quickfinder dina4 nlp coachi - Aug 08 2022

2er set nlp coaching quickfinder dina4 nlp coachi bryan and the whale feb 18 2021 bryan always dreamed of seeing a real live whale on his fifth birthday his parents surprise him with a vacation to the ocean will his dream be spoiled when a mischievous whale and his friends decide to play tricks on the little boy

2er set nlp coaching quickfinder dina4 nlp coaching poster - Jul 19 2023

jun 14 2023 2er set nlp coaching quickfinder dina4 nlp coaching poster dina2 2019 praktische schnellübersicht und wandposter für den coach nlp practitioner nlp master und nlp trainer by samuel cremer

2er set nlp coaching quickfinder und nlp interven pdf - May 05 2022

2er set nlp coaching quickfinder dina4 nlp coaching poster dina2 the enneagram 2er set nlp coaching und nlp interventionen quickfinder 2015 schritt für schritt anleitungen von 33 interventionen

2er set nlp coaching quickfinder dina4 nlp coachi - Nov 11 2022

one such tool that has gained immense popularity among nlp coaches is the 2er set nlp coaching quickfinder dina4 in this article we will explore the features and benefits of this innovative tool and discover how it can revolutionize nlp coaching experiences overview of the 2er set nlp coaching quickfinder dina4

2er set nlp coaching quickfinder dina4 nlp coachi pdf - Oct 10 2022

those all we come up with the money for 2er set nlp coaching quickfinder dina4 nlp coachi and numerous ebook collections from fictions to scientific research in any way among them is this 2er set nlp coaching quickfinder dina4 nlp coachi that can be your partner 2er set nlp coaching quickfinder dina4 nlp coachi downloaded from portal

2er set nlp coaching quickfinder dina4 nlp coaching poster - Jan 13 2023

jun 17 2023 along with manuals you could indulge in the present is 2er set nlp coaching quickfinder dina4 nlp coaching poster dina2 2019 praktische schnellübersicht und wandposter für den coach nlp practitioner nlp master und nlp trainer by samuel cremer below by seeking the title publisher

2er set nlp coaching quickfinder dina4 nlp coachi 2023 - Mar 15 2023

schnellübersicht und spickzettel für den nlp coach nlp practitioner und nlp master din a4 zweiseitig vollfarbig laminiert jun 04 2023 3er set nlp coaching quickfinder 2015 praktische schnellübersicht und spickzettel für den nlp coach nlp practitioner und nlp master din a4 zweiseitig vollfarbig laminiert

2er set nlp coaching quickfinder und nlp interventionen quickfinder - Apr 16 2023

2er set nlp coaching quickfinder und nlp interventionen quickfinder 2018 schritt für schritt anleitungen von 33 interventionen 2 karten dina4 laminiert für jeden nlp zauberlehrling cremer samuel amazon com be livres

example of nlp coaching session - Mar 03 2022

during the start of an nlp coaching session as an nlp coach you can elicit the desired state where the person wants to reach and the present state where the person is currently nlp was created by richard bandler and john grinder in 1970s and nlp due to its powerful language patterns and interrupts found its way into leadership development

2er set nlp coaching quickfinder dina4 nlp coaching - Jun 18 2023

2er set nlp coaching quickfinder dina4 nlp coaching poster dina2 2020 praktische schnellübersicht und wandposter für den coach nlp practitioner nlp master und nlp trainer futurepacemedia de cremer samuel nlp zentrum berlin de isbn 0641243563190 kostenloser versand für alle bücher mit versand und

2er set nlp coaching quickfinder und nlp interventionen quickfinder - Dec 12 2022

2er set nlp coaching quickfinder und nlp interventionen quickfinder 2019 schritt für schritt anleitungen von 33 interventionen 2 karten dina4 laminiert für jeden nlp zauberlehrling by samuel cremer sortierten interventionen die bereiche sind ressourcen aufbauunerwünschtes verhaltenegative

water princess fire prince volume 1 the rizkaland legends - Apr 04 2023

web buy water princess fire prince volume 1 the rizkaland legends by ardnek kendra e isbn 9781515225522 from amazon s book store everyday low prices and free delivery on eligible orders

water princess fire prince quotes by kendra e ardnek - Oct 30 2022

web 3 quotes from water princess fire prince the rizkaland legends 1 it is a fact universally acknowledged that a short girl in pursuit of something a

water princess fire prince the rizkaland legends - Jul 07 2023

web aug 31 2015 water princess fire prince the rizkaland legends ardnek kendra e on amazon com free shipping on qualifying offers

water princess fire prince the rizkaland legends band 1 - Sep 28 2022

web water princess fire prince the rizkaland legends band 1 ardnek kendra e isbn 9781515225522 kostenloser versand für alle bücher mit versand und verkauf duch amazon

water princess fire prince by kendra e ardnek goodreads - Jun 06 2023

web aug 31 2015 in a prophecy it is proclaimed that only the water princess and fire prince can save rizkaland for amber also known as the lady dragon an evil sorceress is terrorizing rizkaland clara and andrew must get over their differences and the unfairness of life to unite and save them all

water princess fire prince by kendra e ardnek the storygraph - Mar 23 2022

web water princess fire prince the rizkaland legends 1 kendra e ardnek 455 pages first pub 2015 isbn uid none format not specified language english publisher not specified publication date not specified fiction fantasy romance young adult lighthearted fast paced to read read

water princess fire prince the rizkaland legends book 1 - May 05 2023

web water princess fire prince the rizkaland legends book 1 ebook ardnek kendra e amazon com au kindle store

fire hero and water princess free game play online - Apr 23 2022

web aug 2 2019 rating 4 3 your rating n a total votes 87 fire hero and water princess is a 2d puzzle platform game inspired by the fireboy and watergirl series play alone controlling both characters or grab your friend and let him control one of them launch the game controls video add to my games save to desktop esc

water princess fire prince book discussion goodreads - Aug 28 2022

web jun 4 2018 water princess fire prince the rizkaland legends 1 by kendra e ardnek goodreads author topics about this book topics that mention this book topics showing 1 3 of 3 started by posts water princess fire prince by kendra e ardnek kendra 1 19 feb 25 2015 09 32am see all book discussions

water princess fire prince the rizkaland legends book 1 - Sep 09 2023

web dec 17 2018 amazon com water princess fire prince the rizkaland legends book 1 ebook ardnek kendra e kindle store

water princess fire prince the rizkaland legends band 1 - Oct 10 2023

web water princess fire prince the rizkaland legends band 1 volume 1 ardnek kendra e amazon com tr kitap
[buy water princess fire prince 1 the rizkaland legends](#) - Feb 19 2022

web amazon in buy water princess fire prince 1 the rizkaland legends book online at best prices in india on amazon in read
water princess fire prince 1 the rizkaland legends book reviews author details and more at
[the rizkaland legends books water princess fire prince](#) - Nov 30 2022

web jun 20 2015 the rizkaland legends books water princess fire prince showing 1 50 of 156 156 discussion posts kendra
said here is where you can discus the first book and all its epicness beware there may be spoilers to start off one of 156
discussion posts kendra said here is where you can discus the first book and all its epicness
[pdf epub water princess fire prince the rizkaland legends](#) - Jun 25 2022

web may 23 2023 brief summary of book water princess fire prince the rizkaland legends 1 by kendra e ardnek here is a
quick description and cover image of book water princess fire prince the rizkaland legends 1 written by kendra e ardnek
which was published in august 31 2015 you can read this before water princess fire
the rizkaland legends series by kendra e ardnek goodreads - Aug 08 2023

web the rizkaland legends series by kendra e ardnek the rizkaland legends series 4 primary works 6 total works book 1 water
princess fire prince by kendra e ardnek 4 07 157 ratings 63 reviews published 2015 4 editions when the lady dragon does
come hold fast do not f want to read rate it book 1 5 ear of the people by kendra
amazon com customer reviews water princess fire prince - Feb 02 2023

web find helpful customer reviews and review ratings for water princess fire prince the rizkaland legends at amazon com
read honest and unbiased product reviews from our users
[water princess fire prince the rizkaland legends abebooks](#) - Jan 01 2023

web abebooks com water princess fire prince the rizkaland legends 9781515225522 by ardnek kendra e and a great selection
of similar new used and collectible books available now at great prices water princess fire prince the rizkaland legends
ardnek kendra e 9781515225522 abebooks

water princess fire prince by kendra e ardnek the storygraph - Mar 03 2023

web water princess fire prince the rizkaland legends 1 kendra e ardnek 454 pages first pub 2015 isbn uid 9781515225522
format paperback language english publisher createspace independent publishing platform publication date 31 august 2015
fiction fantasy

readers who enjoyed water princess fire prince the rizkaland legends - Jul 27 2022

web find books like water princess fire prince the rizkaland legends 1 from the world s largest community of readers
goodreads members who liked water

water princess fire prince the rizkaland legends - May 25 2022

web oct 12 2015 title water princess fire prince series the rizkaland legends book 1 year 2015 author kendra e ardnek
summary when the lady dragon does come hold fast do not fear do not run your water princess will fight fire prince will set
all to right each shall come from a fall their union will save you all despite the fact that